



US00D422171S

United States Patent [19]
Mahlmann

[11] **Patent Number: Des. 422,171**

[45] **Date of Patent: ** Apr. 4, 2000**

[54] **TOWEL RACK**

[75] Inventor: **Veit Mahlmann**, Hamburg, Germany

[73] Assignee: **HEWI Heinrich Wilke GmbH**, Bad Arolsen, Germany

[**] Term: **14 Years**

[21] Appl. No.: **29/100,795**

[22] Filed: **Feb. 19, 1999**

- D. 267,761 2/1983 Coehn D6/548
- D. 274,026 5/1984 Boroch D6/548
- D. 282,705 2/1986 Chap D6/548
- D. 338,125 8/1993 Sample D6/548

Primary Examiner—Brian N. Vinson
Attorney, Agent, or Firm—Michael J. Striker

Related U.S. Application Data

[62] Division of application No. 29/076,533, Sep. 12, 1997, Pat. No. Des. 405,997.

[30] **Foreign Application Priority Data**

Mar. 13, 1997 [DE] Germany 97 02 186

[51] **LOC (6) Cl.** **07-07**

[52] **U.S. Cl.** **D6/548**

[58] **Field of Search** D6/546-550; 100/29;
211/13.1, 16, 86, 87, 96, 99, 100, 105.1,
123

[57] **CLAIM**

The ornamental design for a towel rack, as shown and described.

DESCRIPTION

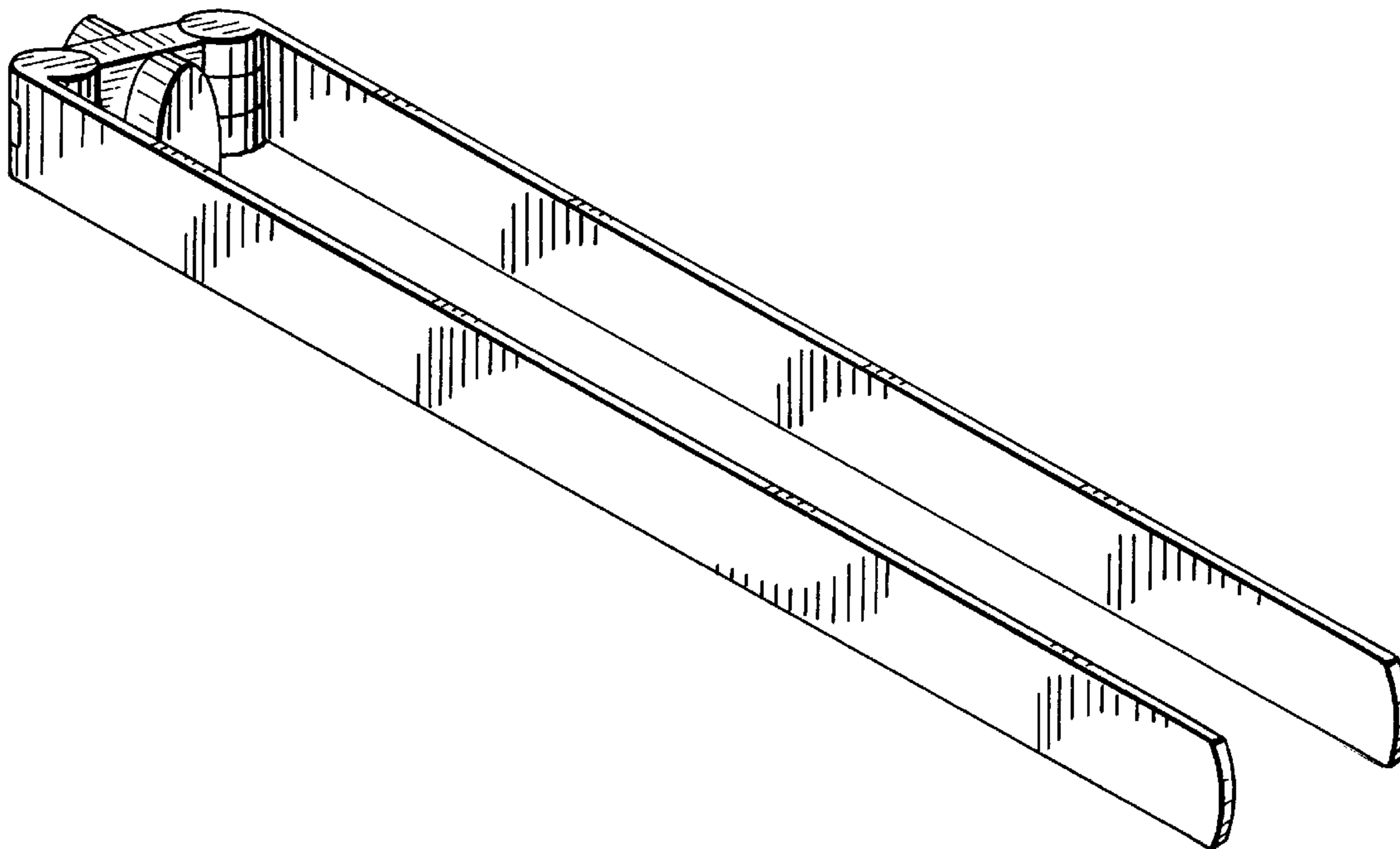
FIG. 1 is a top, front, and left side perspective view of a towel rack showing my new design;
FIG. 2 is a front elevational view thereof;
FIG. 3 is a bottom plan view thereof;
FIG. 4 is a top plan view thereof;
FIG. 5 is a right side elevational view thereof;
FIG. 6 is a left side elevational view thereof; and,
FIG. 7 is a rear elevational view thereof.

[56] **References Cited**

U.S. PATENT DOCUMENTS

D. 238,531 1/1976 Vrignaud D6/548

1 Claim, 2 Drawing Sheets



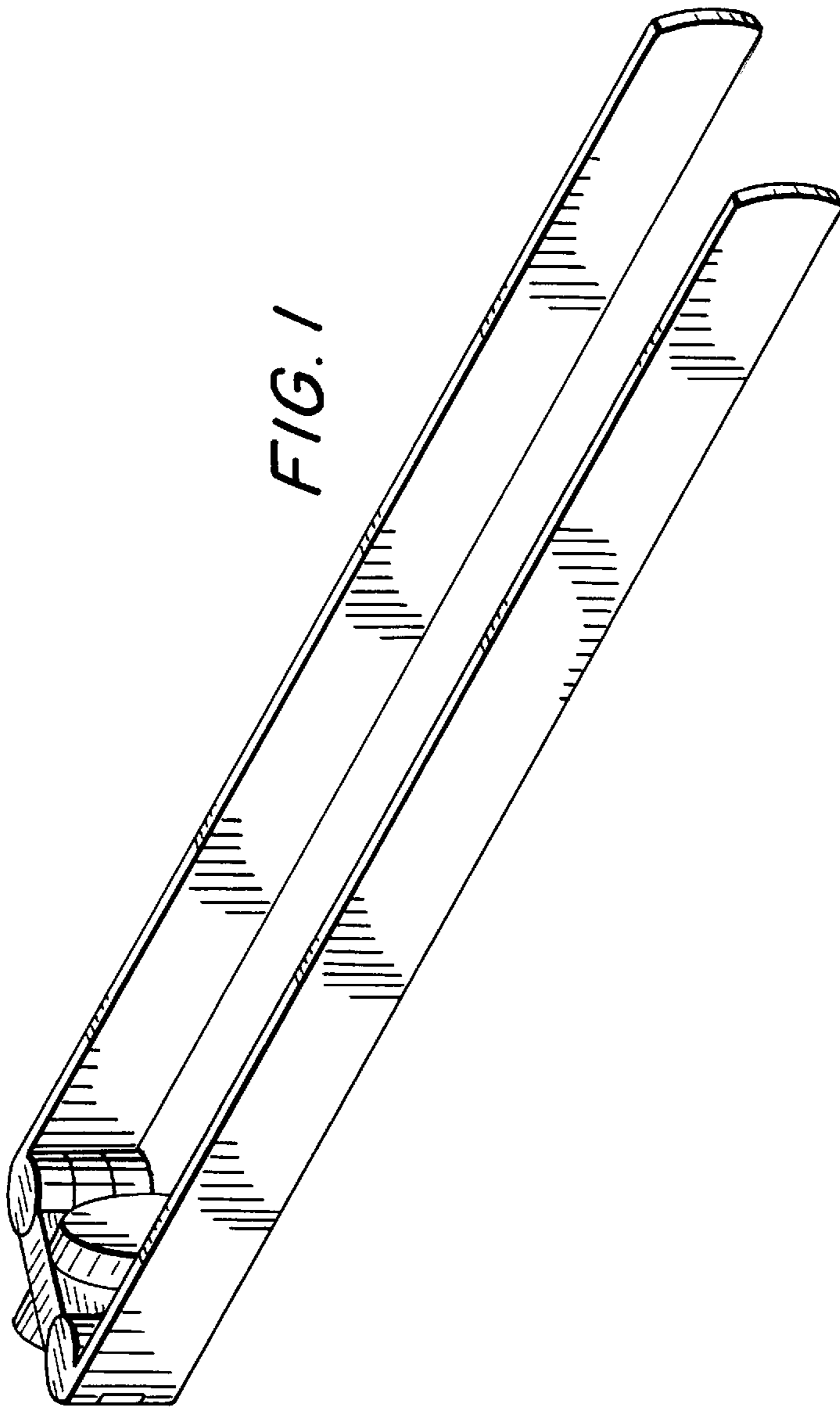


FIG. 1



FIG. 2

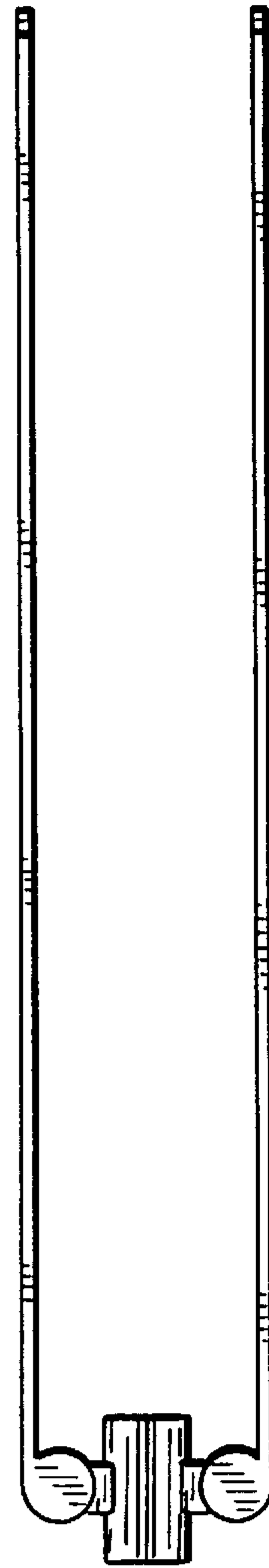


FIG. 3

FIG. 4

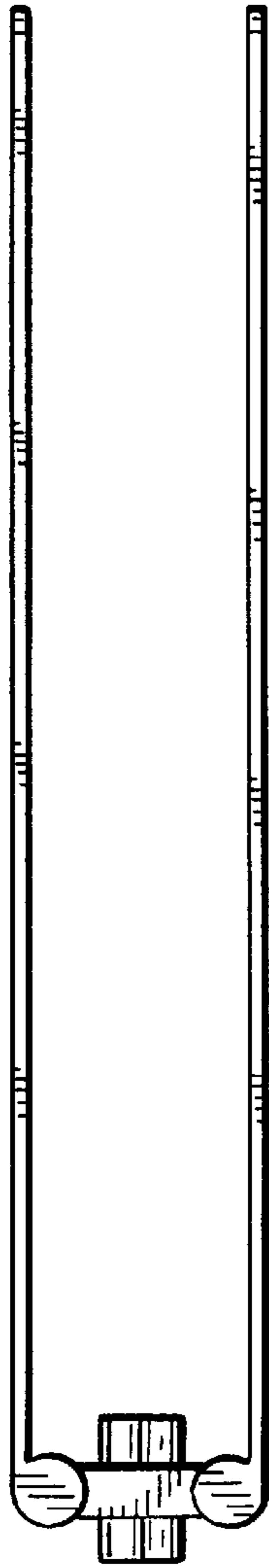


FIG. 5

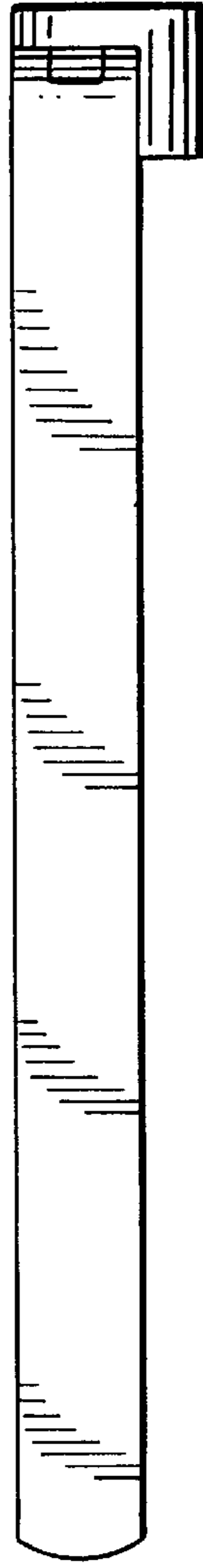


FIG. 7

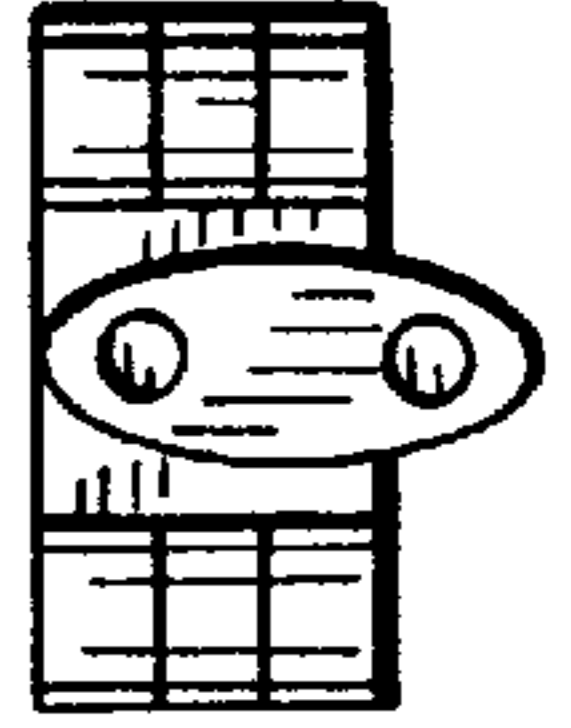


FIG. 6

