



US00D422167S

United States Patent [19]

[11] **Patent Number: Des. 422,167**

Vaaler

[45] **Date of Patent: ** Apr. 4, 2000**

[54] **DECORATIVE POST FURNITURE COMPONENT**

D. 368,601 4/1996 Cain D6/389
D. 372,809 8/1996 Keller D6/389

[75] Inventor: **Lawrence I. Vaaler**, Lenoir, N.C.

OTHER PUBLICATIONS

Thomasville Stone Terrace, Apr. 1996, p. 3-4.

[73] Assignee: **Bernhardt, L.L.C.**, Lenoir, N.C.

Primary Examiner—Janice E. Seeger
Attorney, Agent, or Firm—Rhodes & Mason, PLLC

[**] Term: **14 Years**

[21] Appl. No.: **29/103,315**

[57] CLAIM

[22] Filed: **Apr. 13, 1999**

The ornamental design for decorative post furniture component, as shown and described.

[51] **LOC (6) Cl.** **06-06**

DESCRIPTION

[52] **U.S. Cl.** **D6/495; D6/389**

FIG. 1 is a perspective view of a decorative post furniture component showing my new design; and FIG. 2 is a side elevational view thereof; and, FIG. 3 is a perspective view of a second embodiment of the post shown in FIG. 1.

[58] **Field of Search** D6/382, 383, 388-395, D6/505-508, 495, 491, 503; 5/53.1, 113, 414, 279.1, 280, 281, 907

The drawing is broken to show undeterminate height.

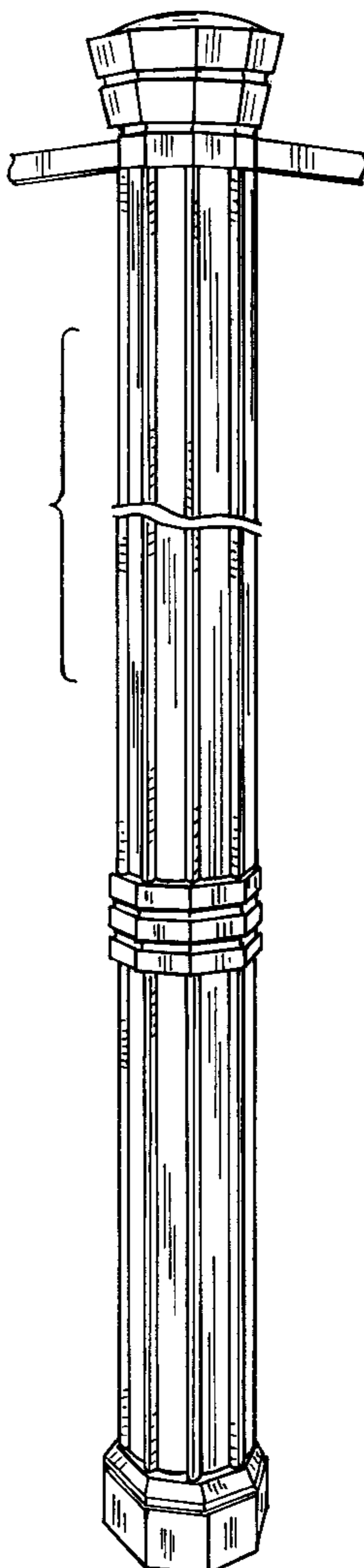
The surfaces not shown are not part of the claimed design.

[56] References Cited

U.S. PATENT DOCUMENTS

D. 331,502 12/1992 White D6/389
D. 352,844 11/1994 Keller D6/389

1 Claim, 2 Drawing Sheets



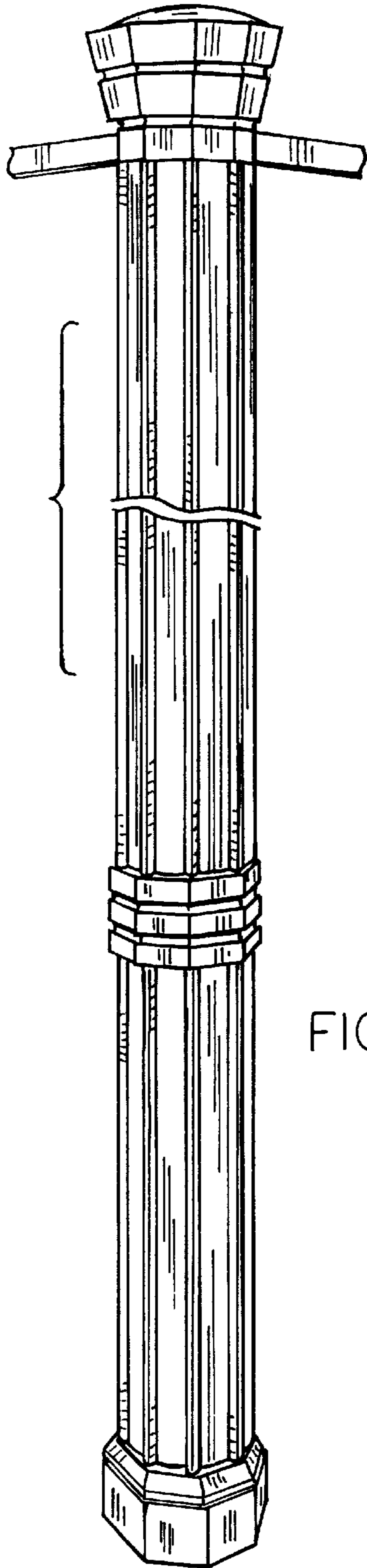


FIG. 1

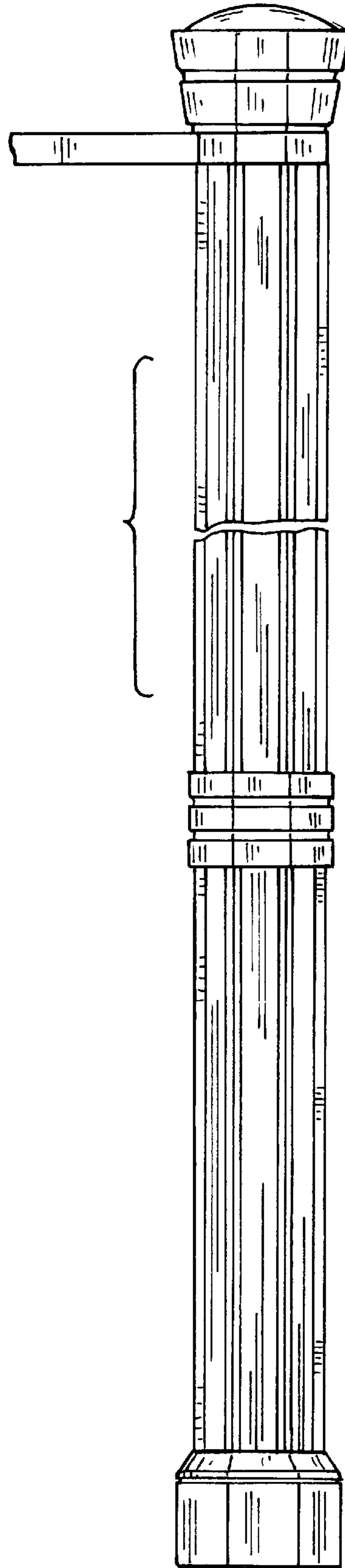


FIG. 2

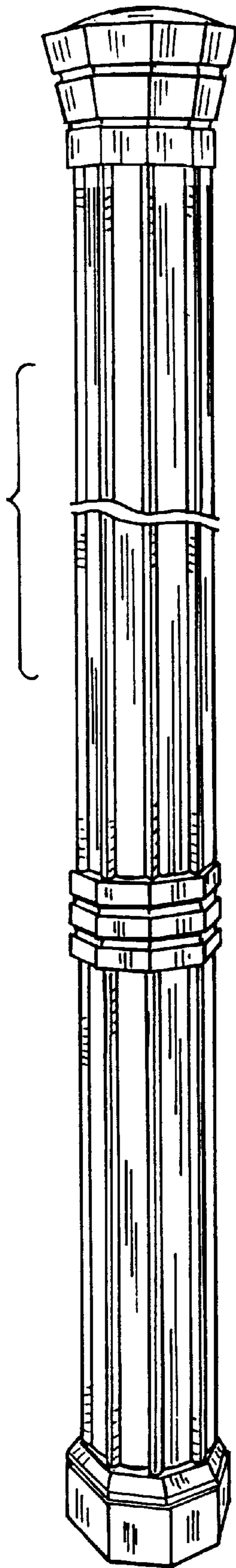


FIG. 3