



US00D422163S

United States Patent [19] Pendergrast

[11] Patent Number: **Des. 422,163**

[45] Date of Patent: **** Apr. 4, 2000**

[54] **POINT-OF-PURCHASE DISPLAY STAND**

D. 182,688	4/1958	Rolley et al.	D6/462
D. 252,779	9/1979	Mogelhoj	D6/462
4,819,899	4/1989	Weil	211/181.1 X

[75] Inventor: **Robin Pendergrast, McHenry, Ill.**

[73] Assignee: **Walker Manufacturing Company, Ft. Collins, Colo.**

Primary Examiner—Doris V. Coles
Assistant Examiner—Linda Brooks
Attorney, Agent, or Firm—Dean P. Edmundson

[**] Term: **14 Years**

[57] **CLAIM**

[21] Appl. No.: **29/103,107**

The ornamental design for a point-of-purchase display stand, as shown.

[22] Filed: **Apr. 8, 1999**

[51] **LOC (6) Cl.** **06-04**

[52] **U.S. Cl.** **D6/463**

[58] **Field of Search** D6/462-468, 473,
D6/475, 476; 211/59.2, 181.1, 182, 85.26,
85.4; 248/121, 146

DESCRIPTION

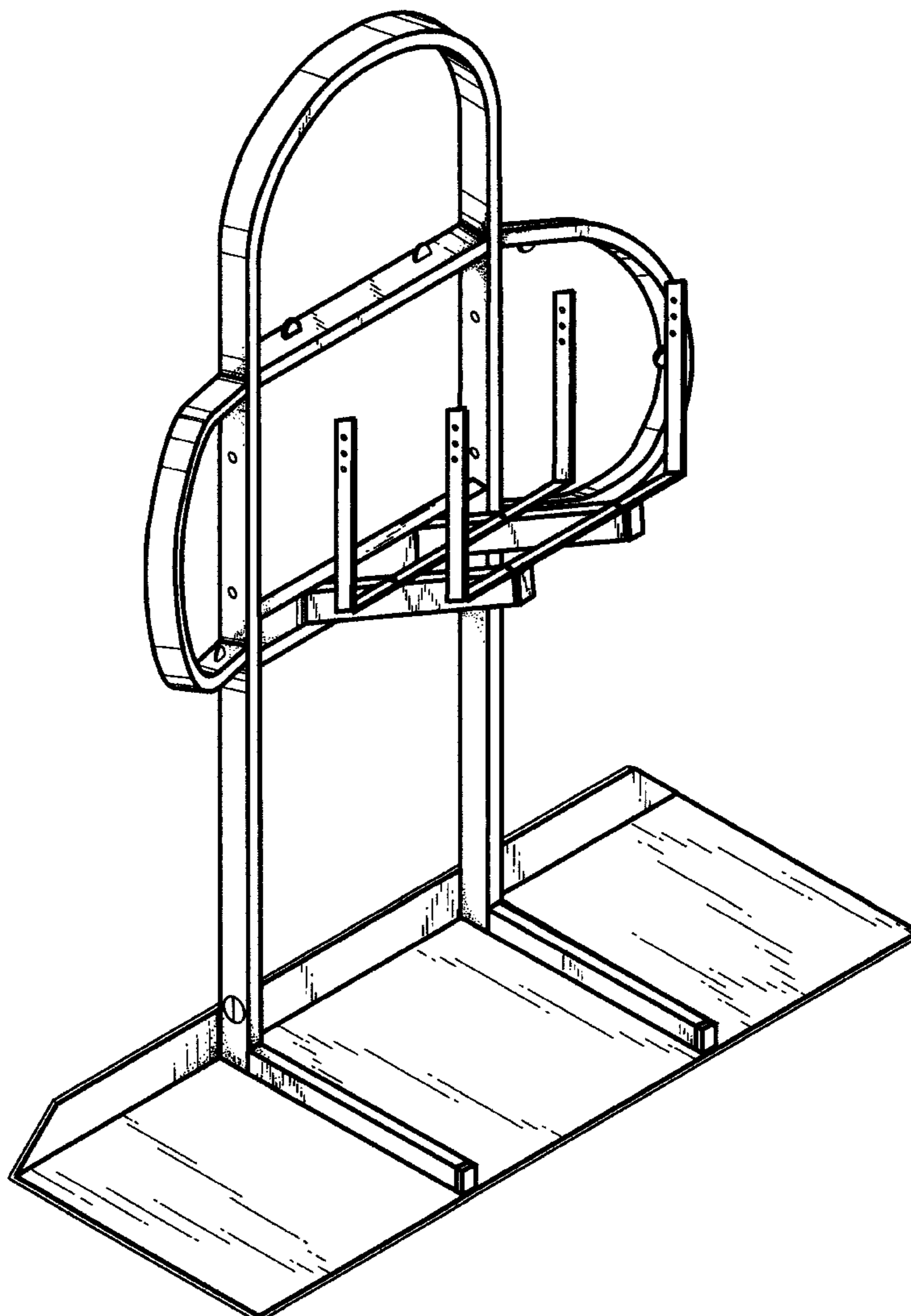
[56] **References Cited**

FIG. 1 is a front perspective view of a point-of-purchase display stand of my design;
FIG. 2 is a front elevational view thereof;
FIG. 3 is a rear elevational view thereof;
FIG. 4 is a left side elevational view thereof, the right side elevational view being a mirror image thereof;
FIG. 5 is a top plan view thereof; and,
FIG. 6 is a bottom plan view thereof.

U.S. PATENT DOCUMENTS

D. 172,668	7/1954	Jacs	D6/462
D. 177,621	5/1956	Gallagher	D6/463

1 Claim, 5 Drawing Sheets



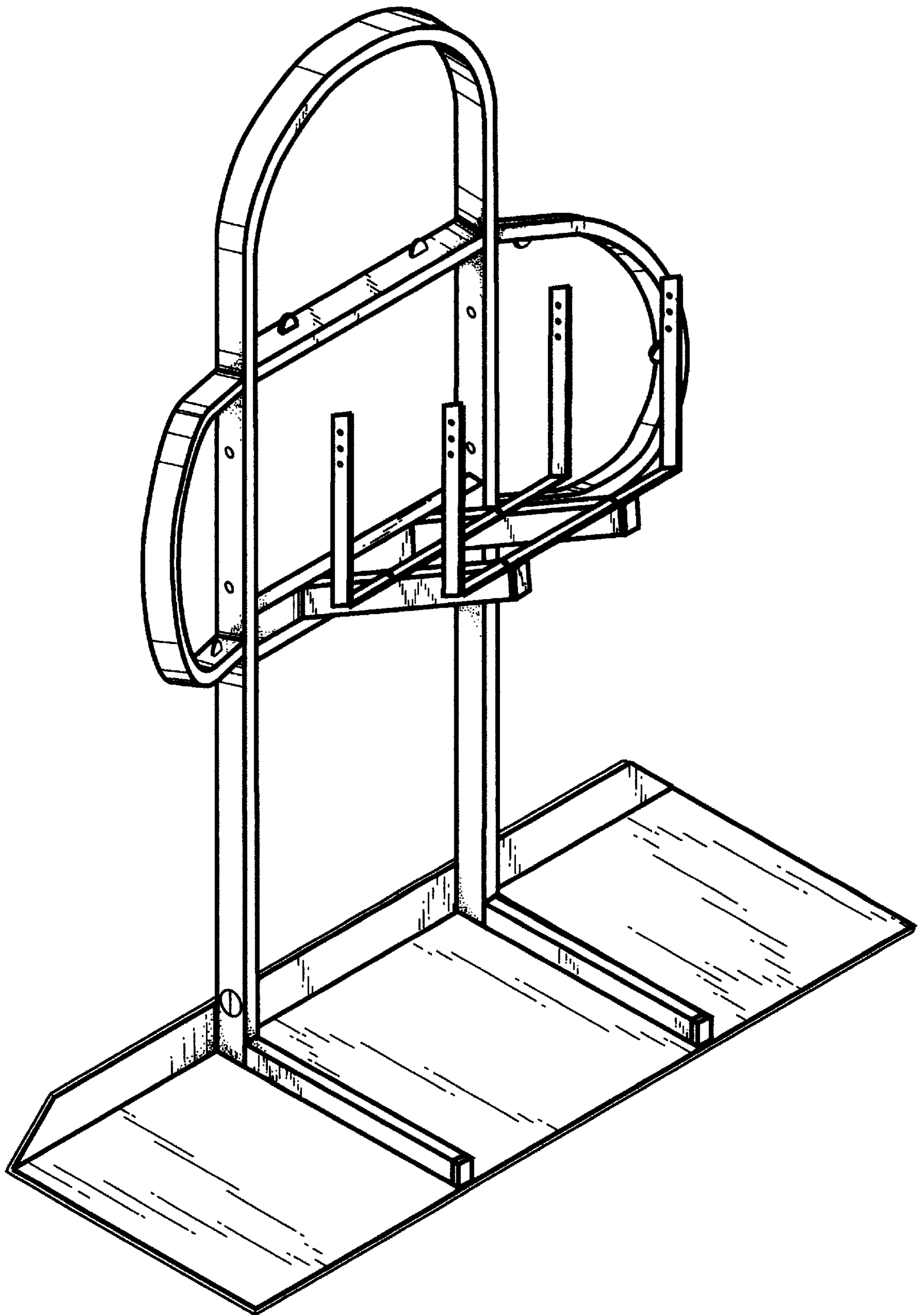


FIGURE 1

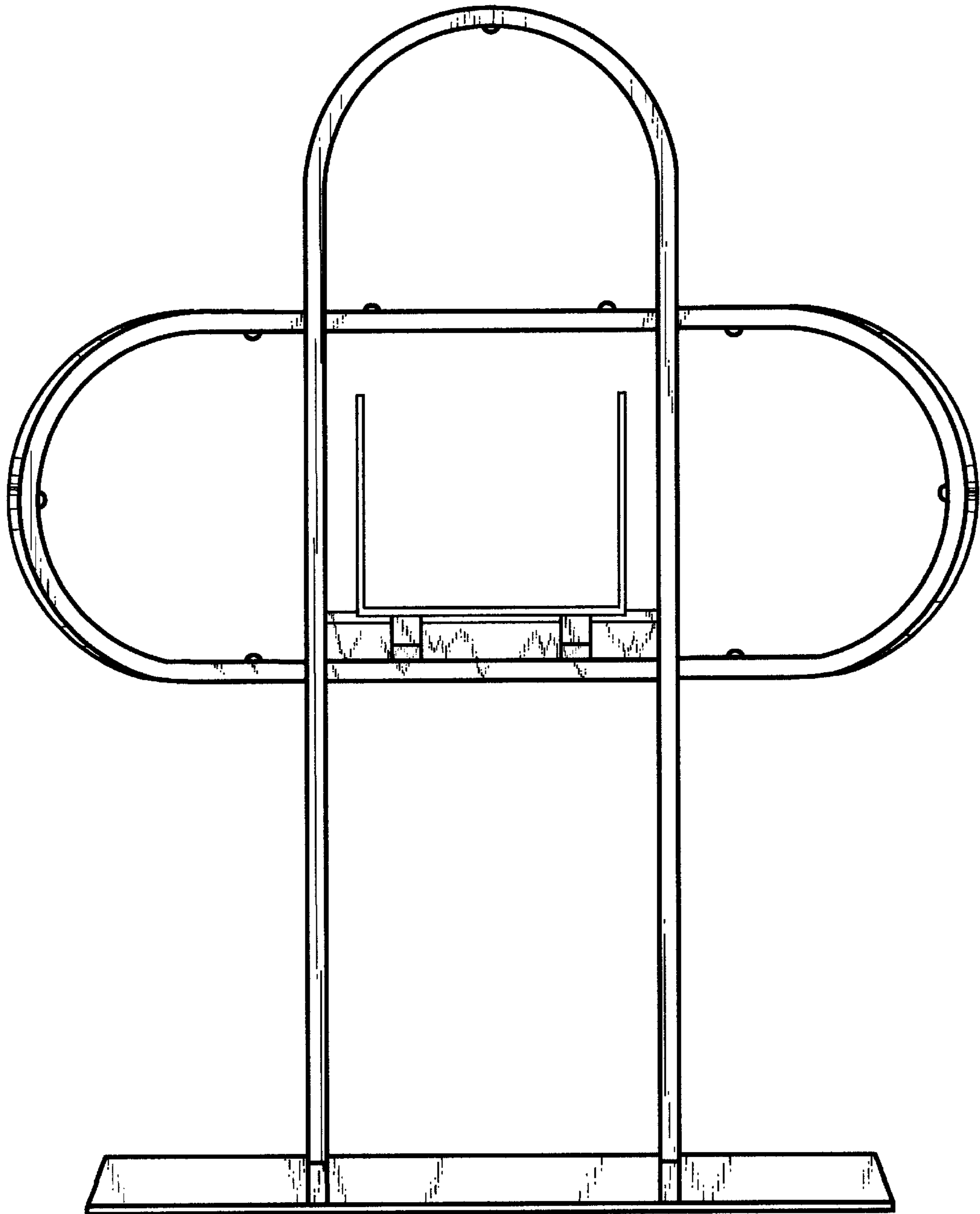


FIGURE 2

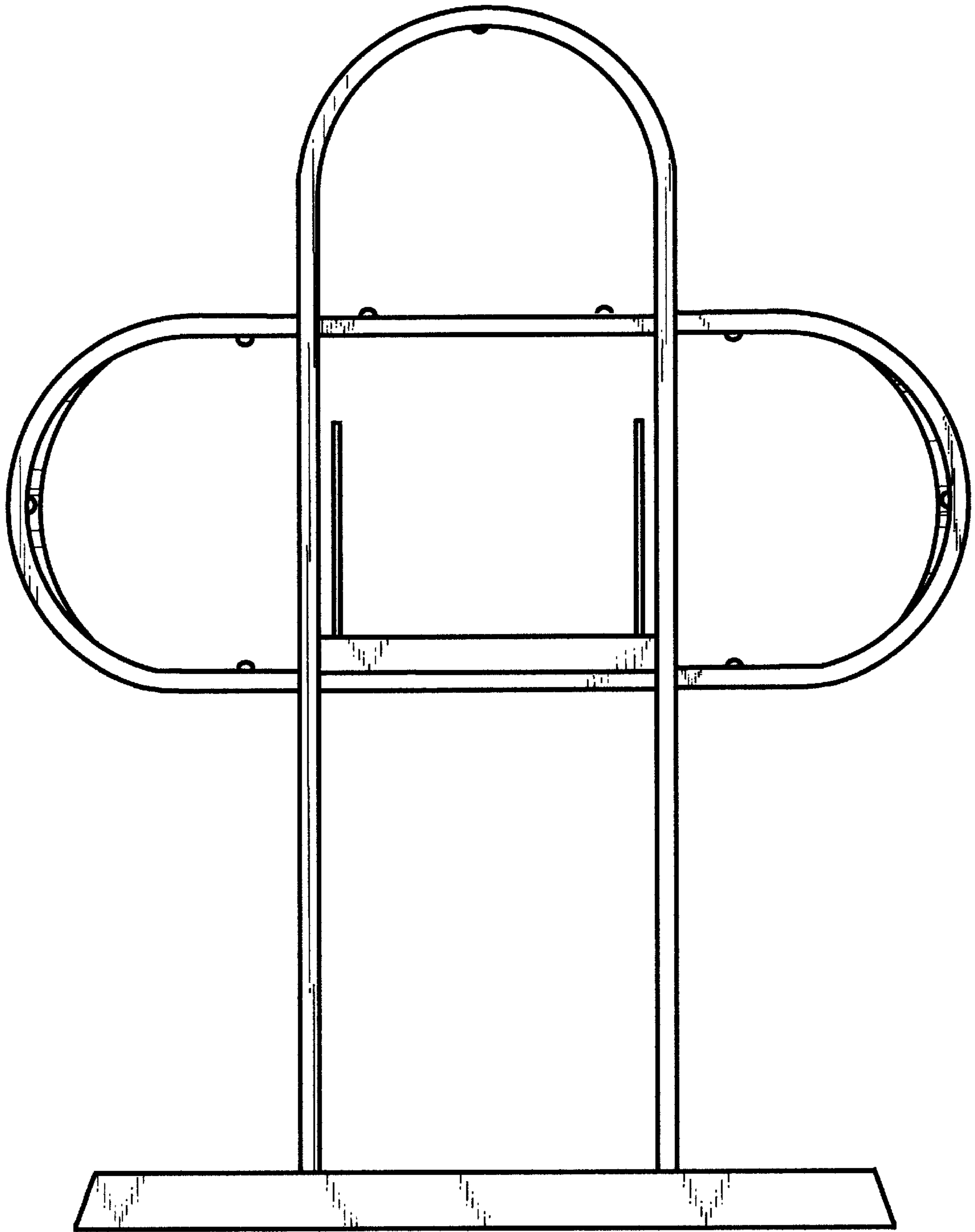


FIGURE 3

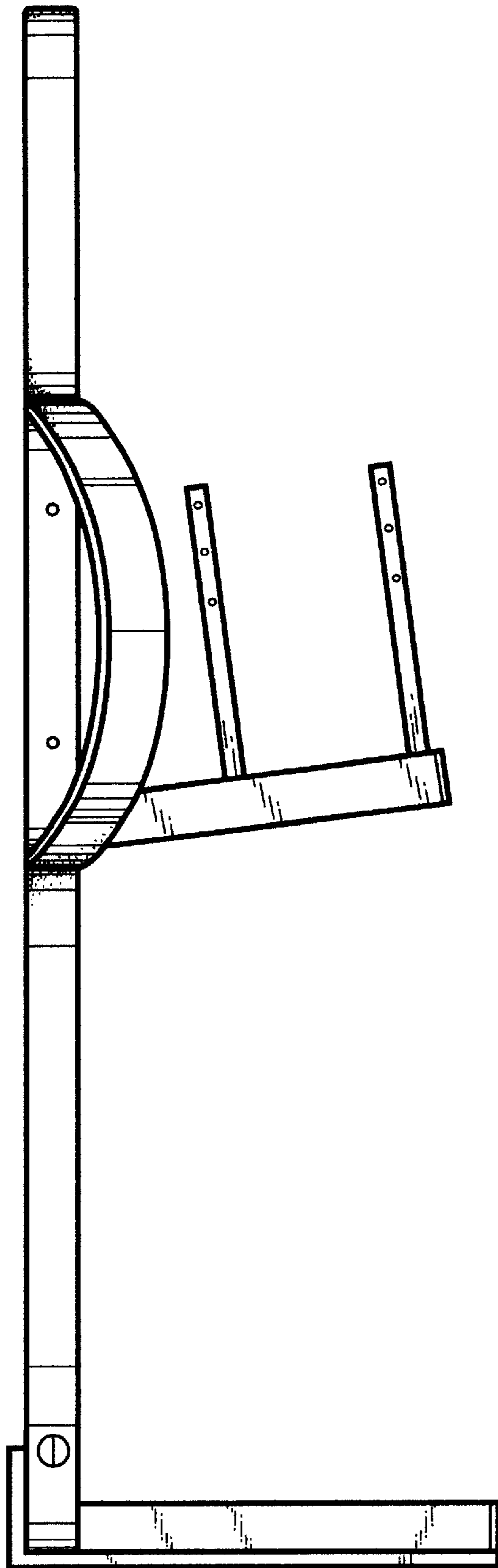


FIGURE 4

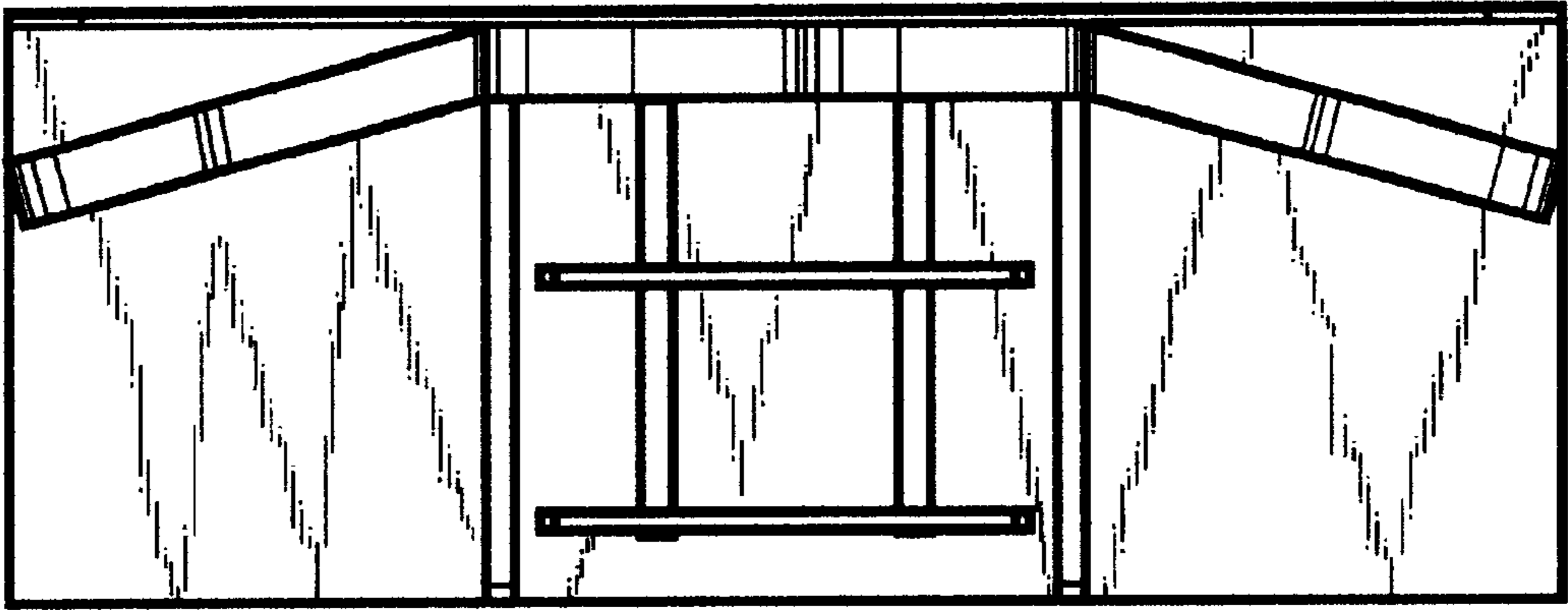


FIGURE 5



FIGURE 6