



US00D422161S

United States Patent [19] Pan

[11] **Patent Number: Des. 422,161**

[45] **Date of Patent: ** Apr. 4, 2000**

[54] **COMPUTER DESK**

[75] Inventor: **Peng-Hui Pan**, Chang Hwa Hsien, Taiwan

[73] Assignee: **Yih Mong Industrial Co., Ltd.**, Chang Hua Hsien, Taiwan

[**] Term: **14 Years**

[21] Appl. No.: **29/095,185**

[22] Filed: **Oct. 19, 1998**

[51] **LOC (6) Cl.** **06-04**

[52] **U.S. Cl.** **D6/426**

[58] **Field of Search** D6/421-428, 474, D6/477-479; 312/194-196; 108/59, 60, 64

[56] **References Cited**

U.S. PATENT DOCUMENTS

- D. 168,787 2/1953 Florian et al. D6/428
- D. 251,402 3/1979 Toussaint D6/421
- D. 302,890 8/1989 Ng et al. D6/422 X

- D. 330,297 10/1992 Keong D6/426
- D. 330,298 10/1992 Keong D6/426
- D. 330,469 10/1992 Brodbeck et al. D6/421
- D. 334,310 3/1993 Keong D6/474
- D. 405,990 2/1999 Peng-Hui D6/479
- 3,858,528 1/1975 Petersen 312/196 X

Primary Examiner—Carmen H. Vales-Lado
Attorney, Agent, or Firm—Harrison & Egbert

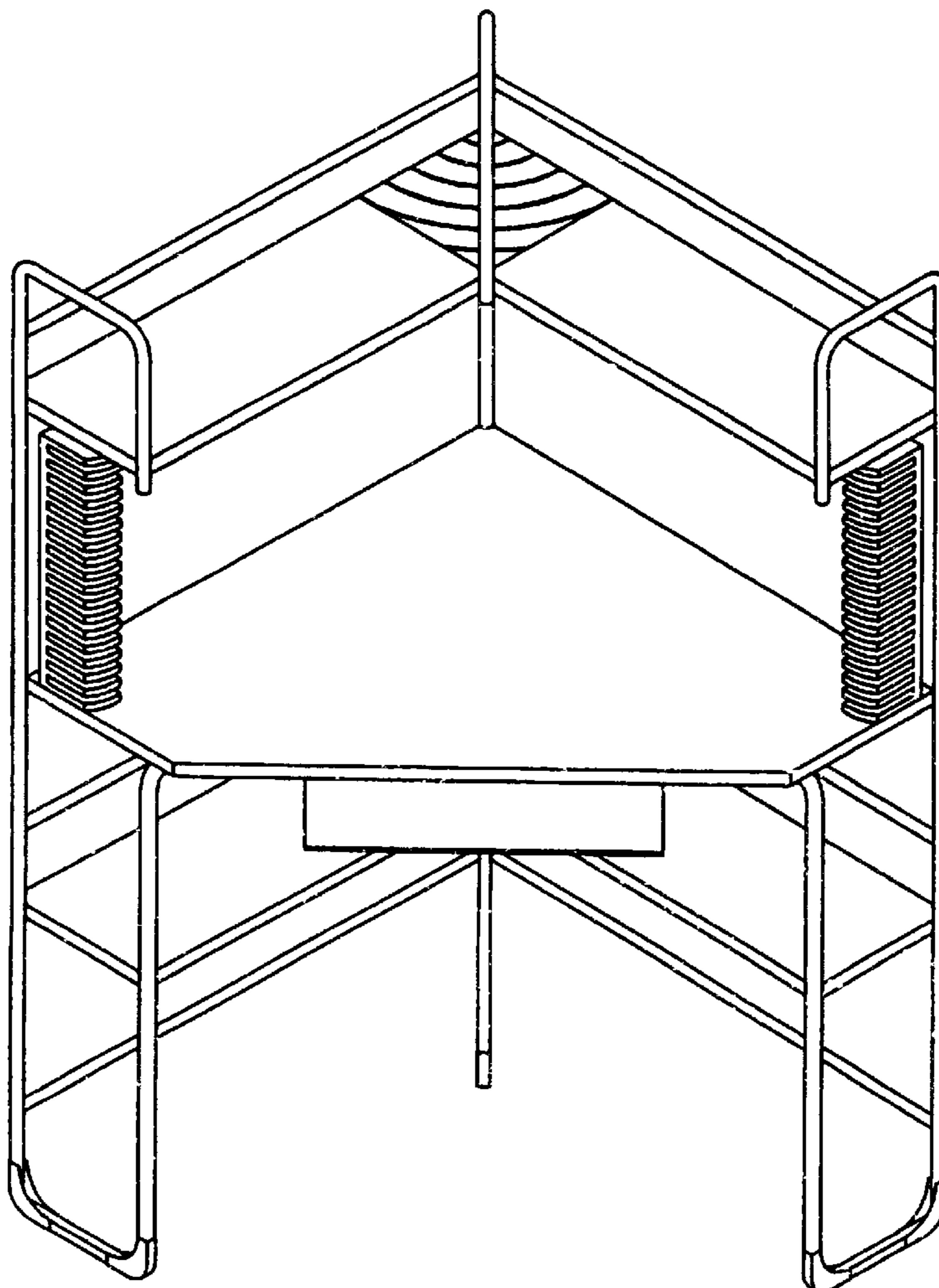
[57] **CLAIM**

I claim the ornamental design for a computer desk, as shown and described.

DESCRIPTION

FIG. 1 is a front perspective view of a computer desk showing my new design; FIG. 2 is a left front elevational view thereof; FIG. 3 is a right rear elevational view thereof; FIG. 4 is a right front elevational view thereof; FIG. 5 is a left rear elevational view thereof; FIG. 6 is a top plan view thereof; and, FIG. 7 is a bottom plan view thereof.

1 Claim, 4 Drawing Sheets



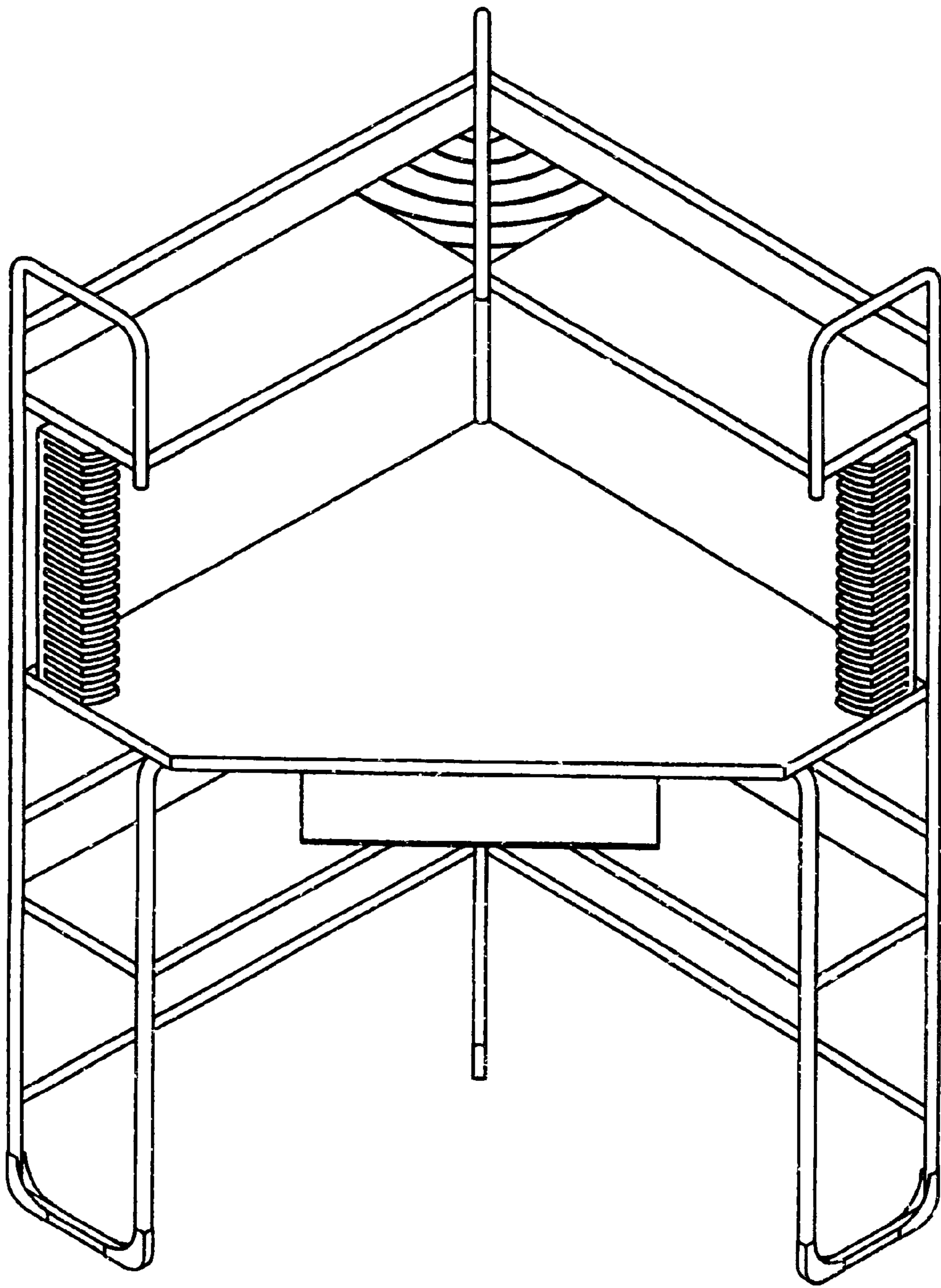


FIG. 1

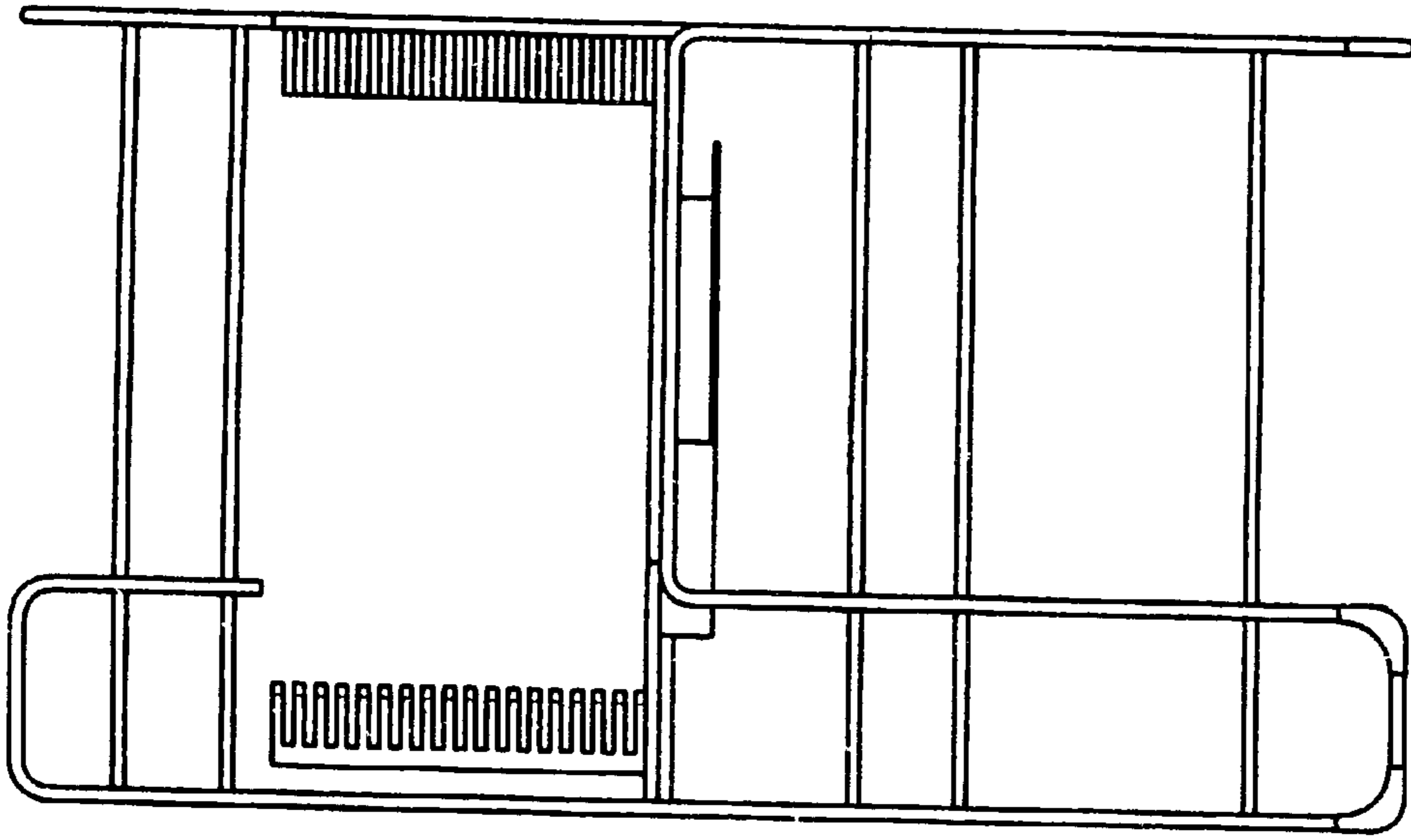


FIG. 2

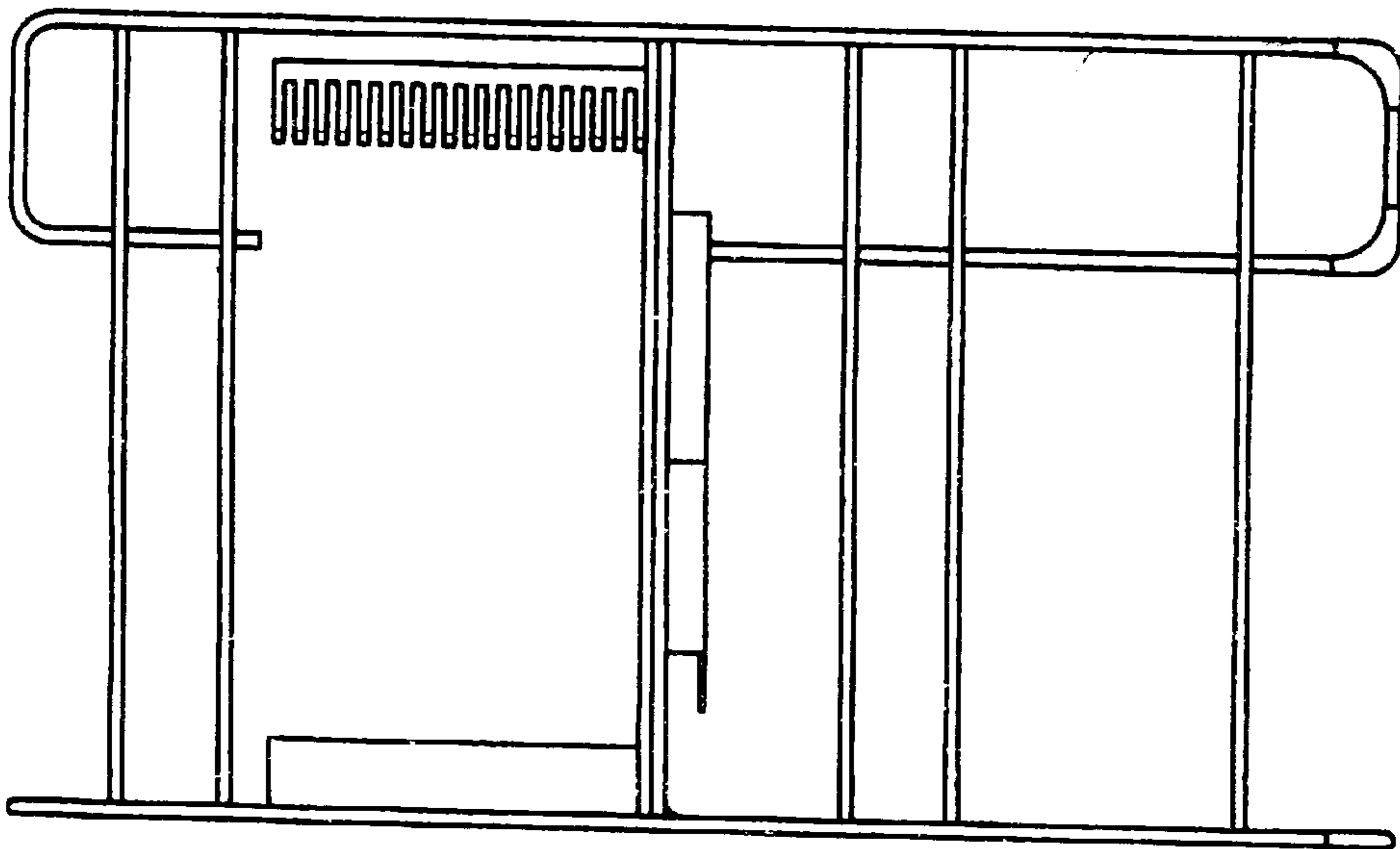


FIG. 3

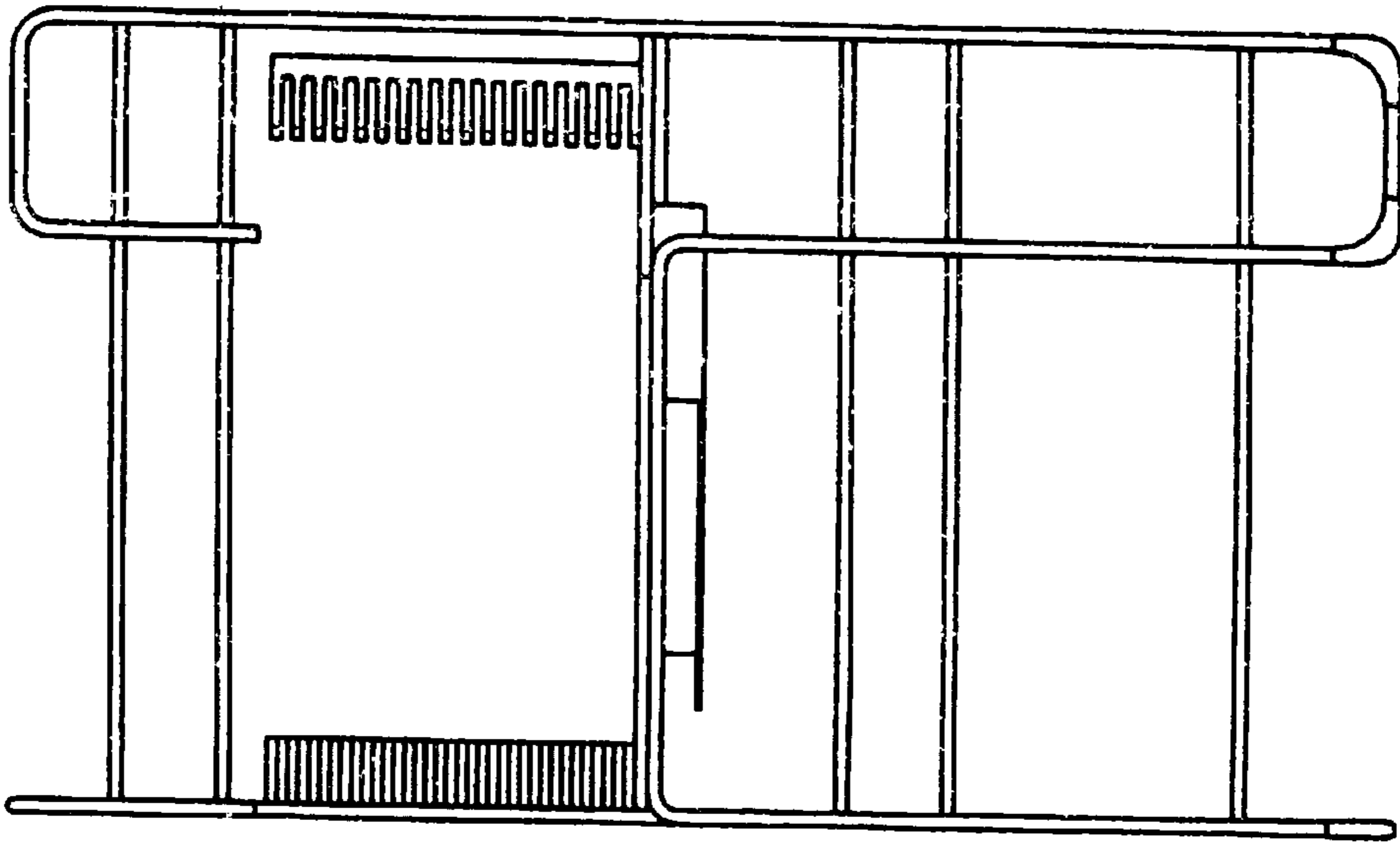


FIG. 4

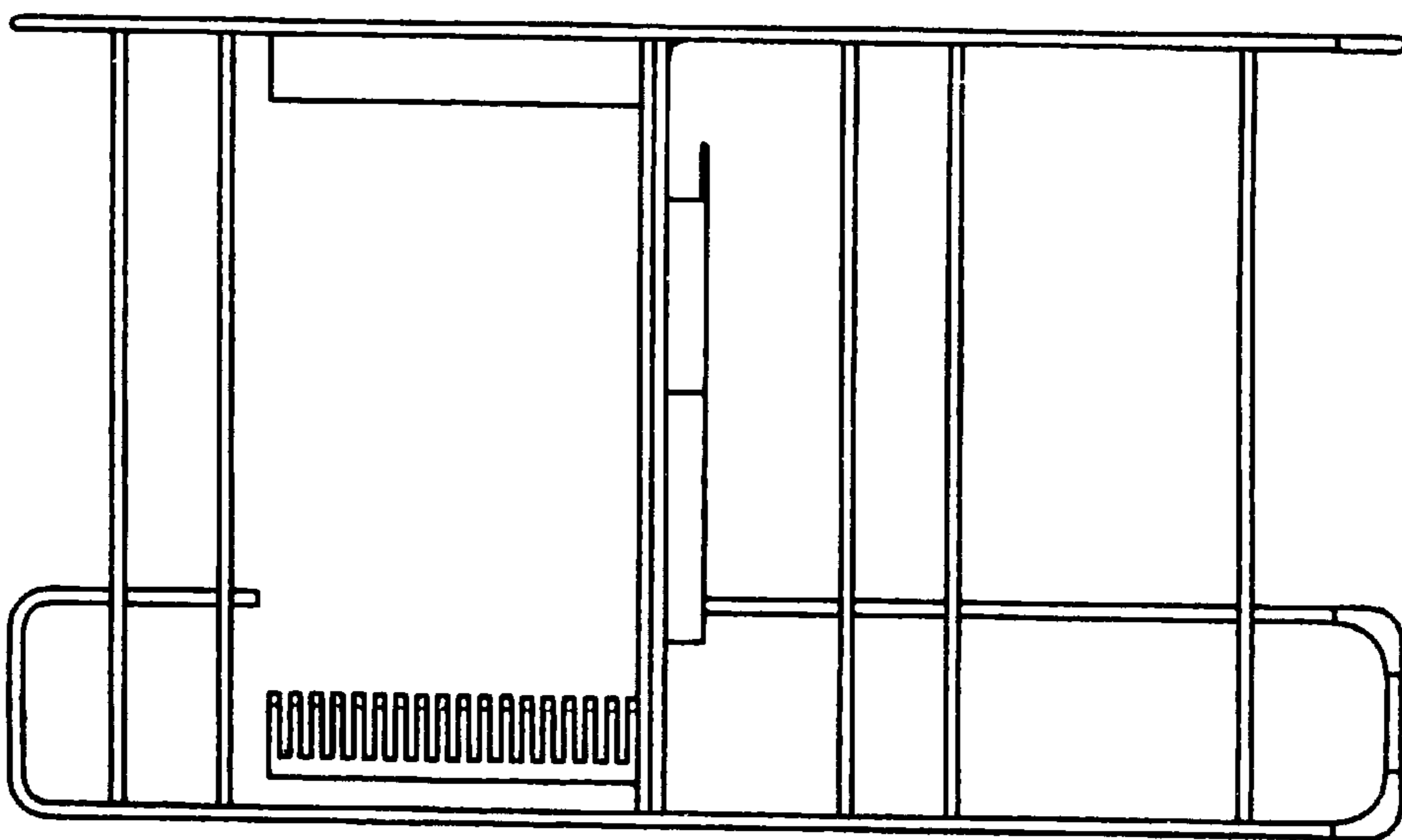


FIG. 5

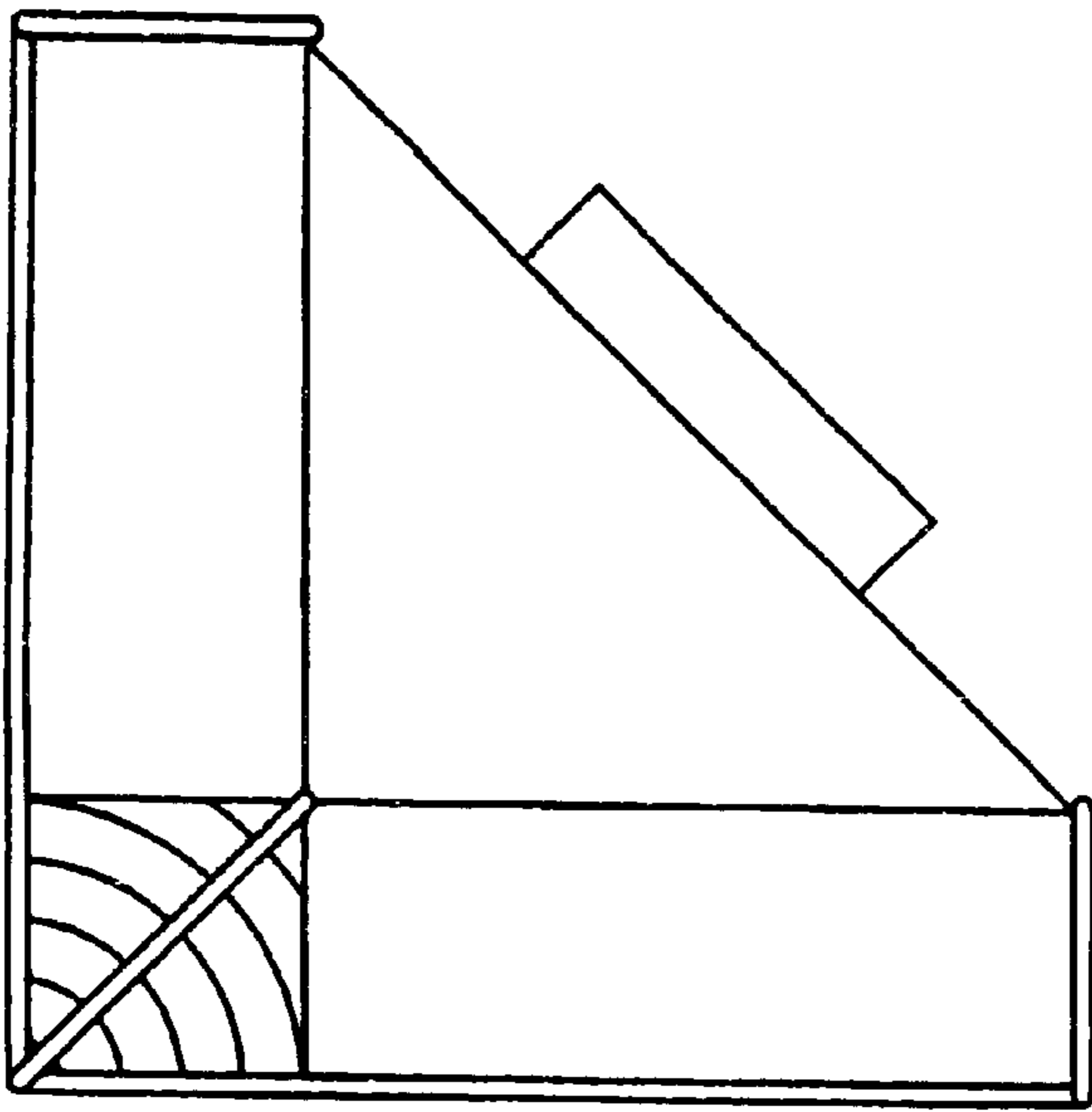


FIG.6

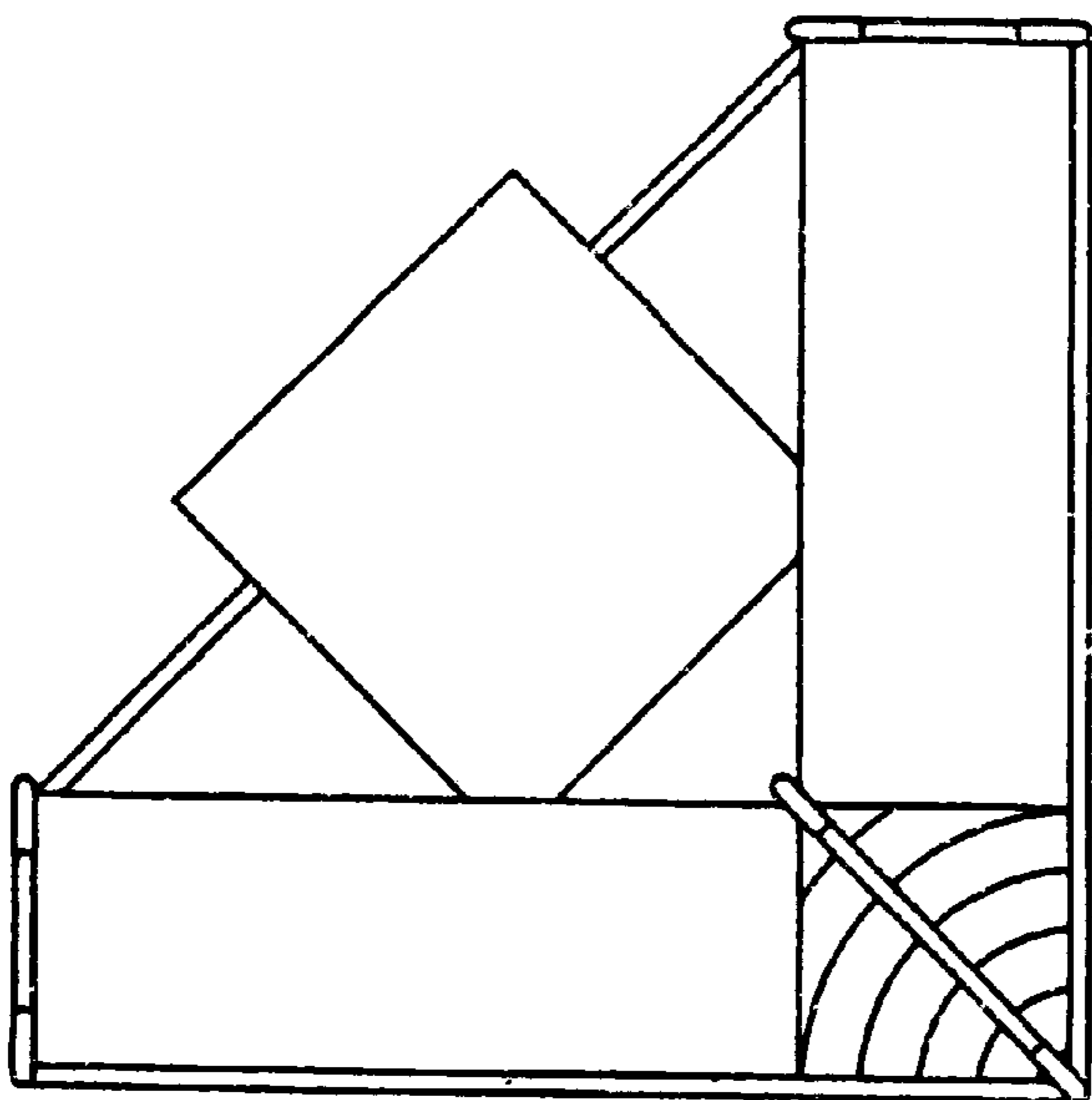


FIG.7