



US00D422158S

**United States Patent** [19]  
**Newhouse**

[11] **Patent Number: Des. 422,158**

[45] **Date of Patent: \*\* Apr. 4, 2000**

[54] **CHAIR**

[75] Inventor: **Thomas J. Newhouse**, Grand Rapids, Mich.

[73] Assignee: **The Worden Company**, Holland, Mich.

[\*\*] Term: **14 Years**

[21] Appl. No.: **29/107,276**

[22] Filed: **Jun. 30, 1999**

[51] **LOC (6) Cl.** ..... **06-01**

[52] **U.S. Cl.** ..... **D6/375; D6/334**

[58] **Field of Search** ..... D6/334, 373, 374, D6/375, 376, 379, 380, 500, 501, 502; 297/239, 445.1, 448.1

[56] **References Cited**

**U.S. PATENT DOCUMENTS**

D. 178,880	10/1956	Hauser	.....	D6/375
D. 192,559	4/1962	Chapman	.....	D6/375
D. 214,622	7/1969	Schier et al.	.....	D6/375
D. 244,330	5/1977	Silbaugh	.....	D6/380
D. 333,733	3/1993	Sammons	.....	D6/334
D. 352,183	11/1994	Sheridan	.....	D6/374

D. 368,383	4/1996	Danko	.....	D6/374
D. 406,196	3/1999	Lyons	.....	D6/375
D. 409,848	5/1999	Staubach et al.	.....	D6/334

*Primary Examiner*—Gary D. Watson  
*Attorney, Agent, or Firm*—Reising, Ethington, Barnes, Kisselle, Learman & McCulloch, PC

[57] **CLAIM**

The ornamental design for a chair, as shown and described.

**DESCRIPTION**

FIG. 1 is a perspective view of a chair showing my new design.

FIG. 2 is a front elevational view.

FIG. 3 is a left side elevational view, the right side being a mirror image of the side shown.

FIG. 4 is a rear elevational view.

FIG. 5 is a top plan view.

FIG. 6 is a perspective view of a second embodiment of the chair shown in FIG. 1.

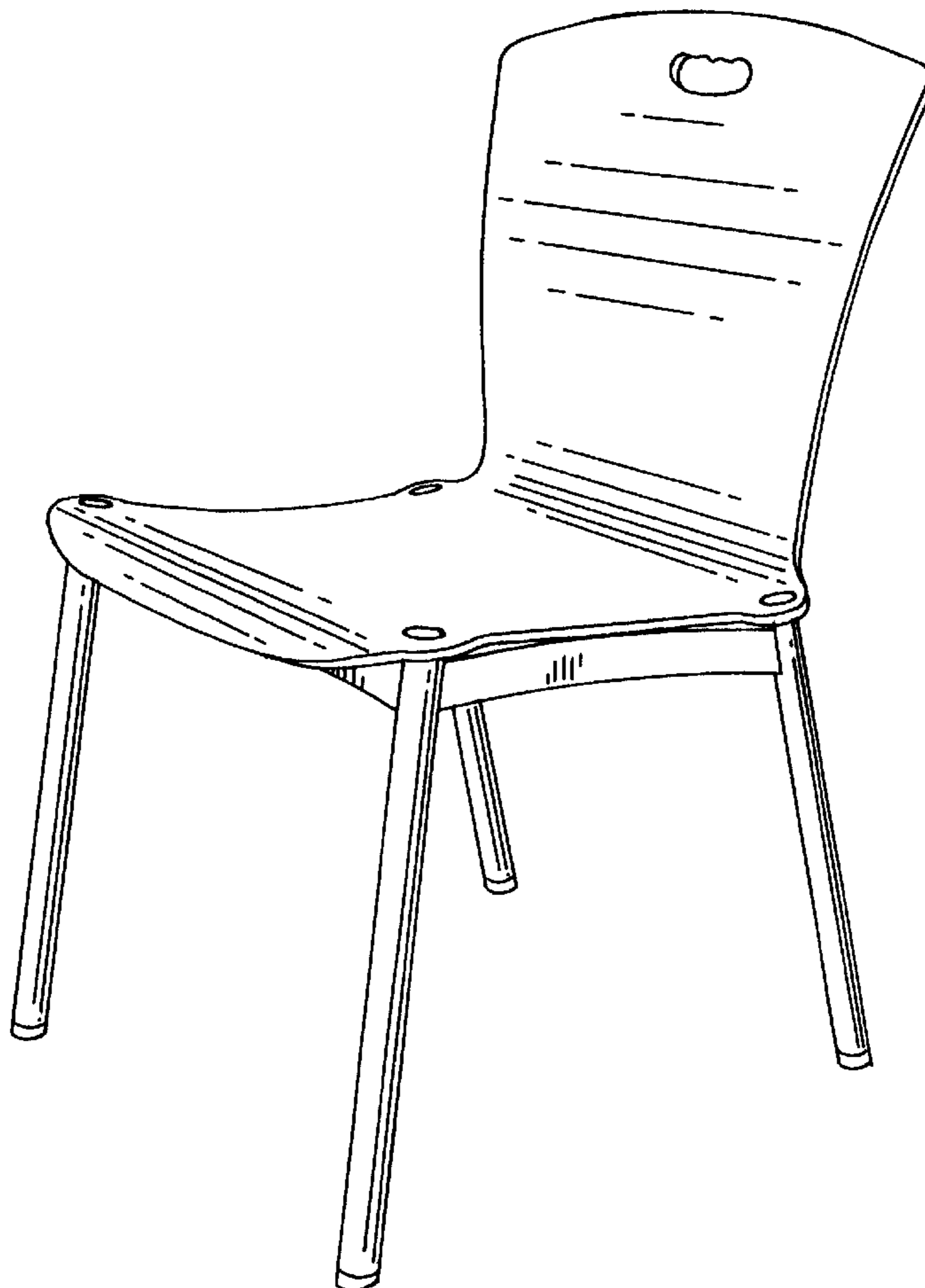
FIG. 7 is a front elevational view.

FIG. 8 is a left side elevational view, the right side being a mirror image of the side shown.

FIG. 9 is a rear elevational view; and,

FIG. 10 is a top plan view.

**1 Claim, 4 Drawing Sheets**



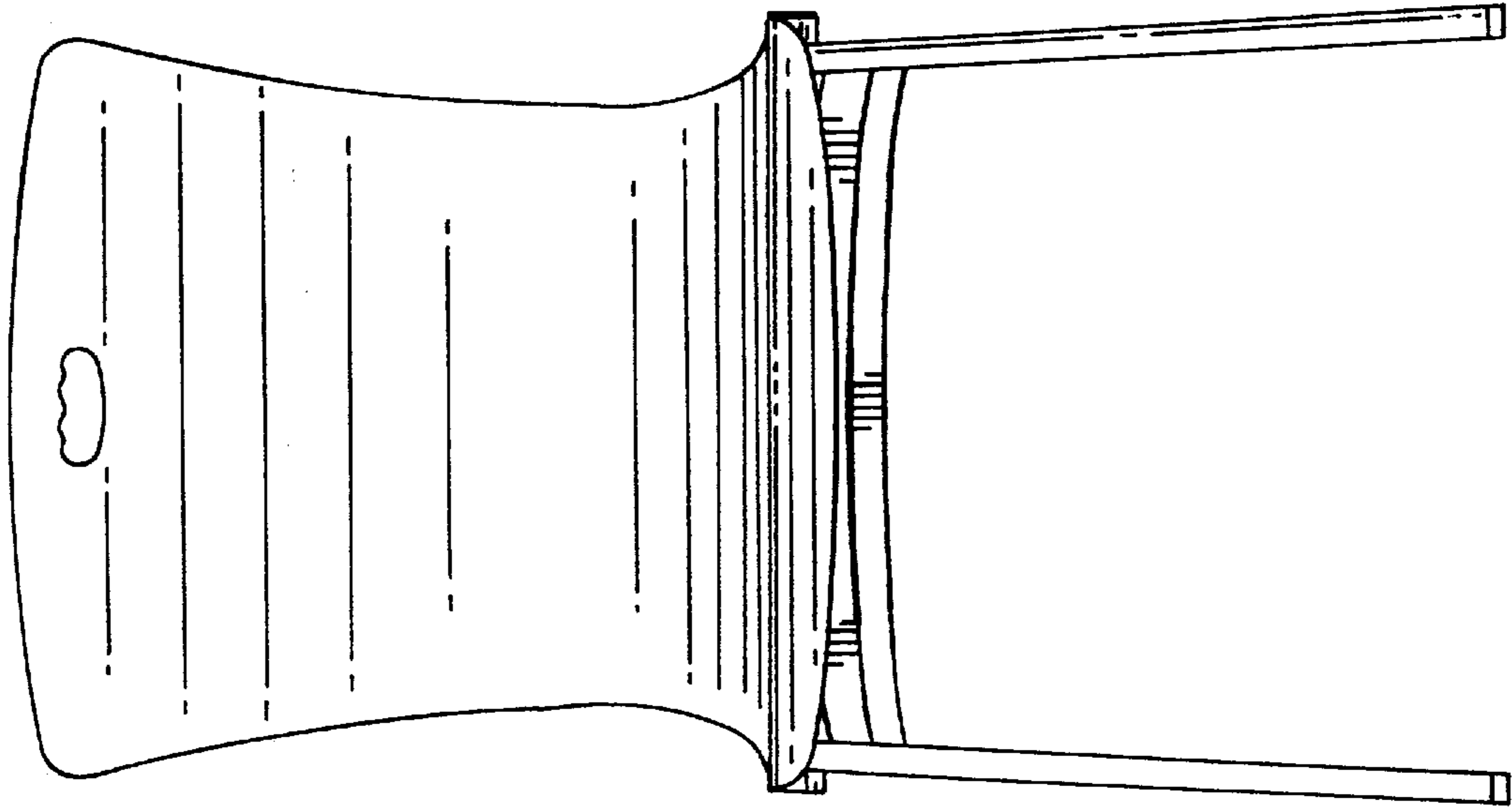


FIG. 2

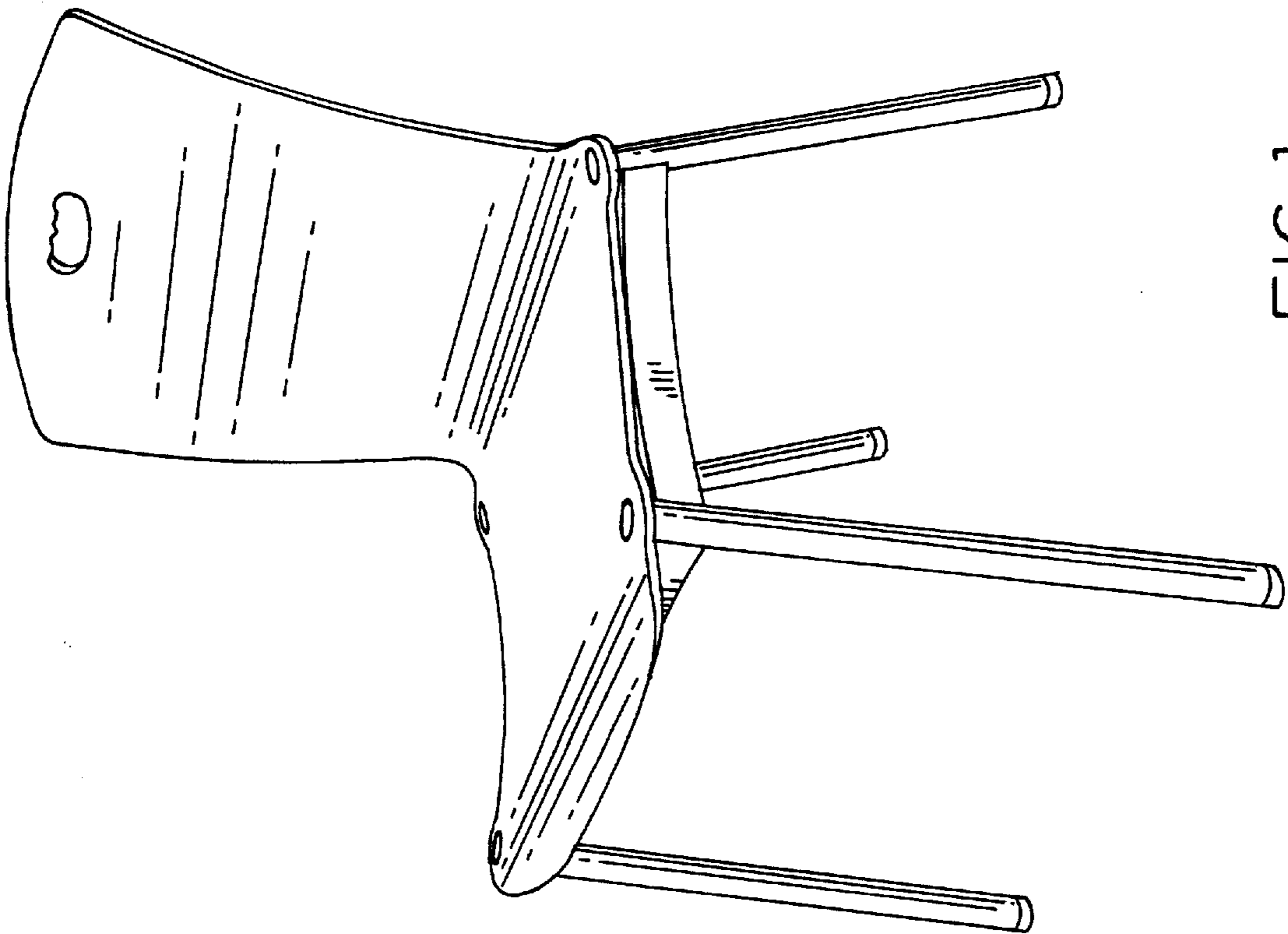


FIG. 1

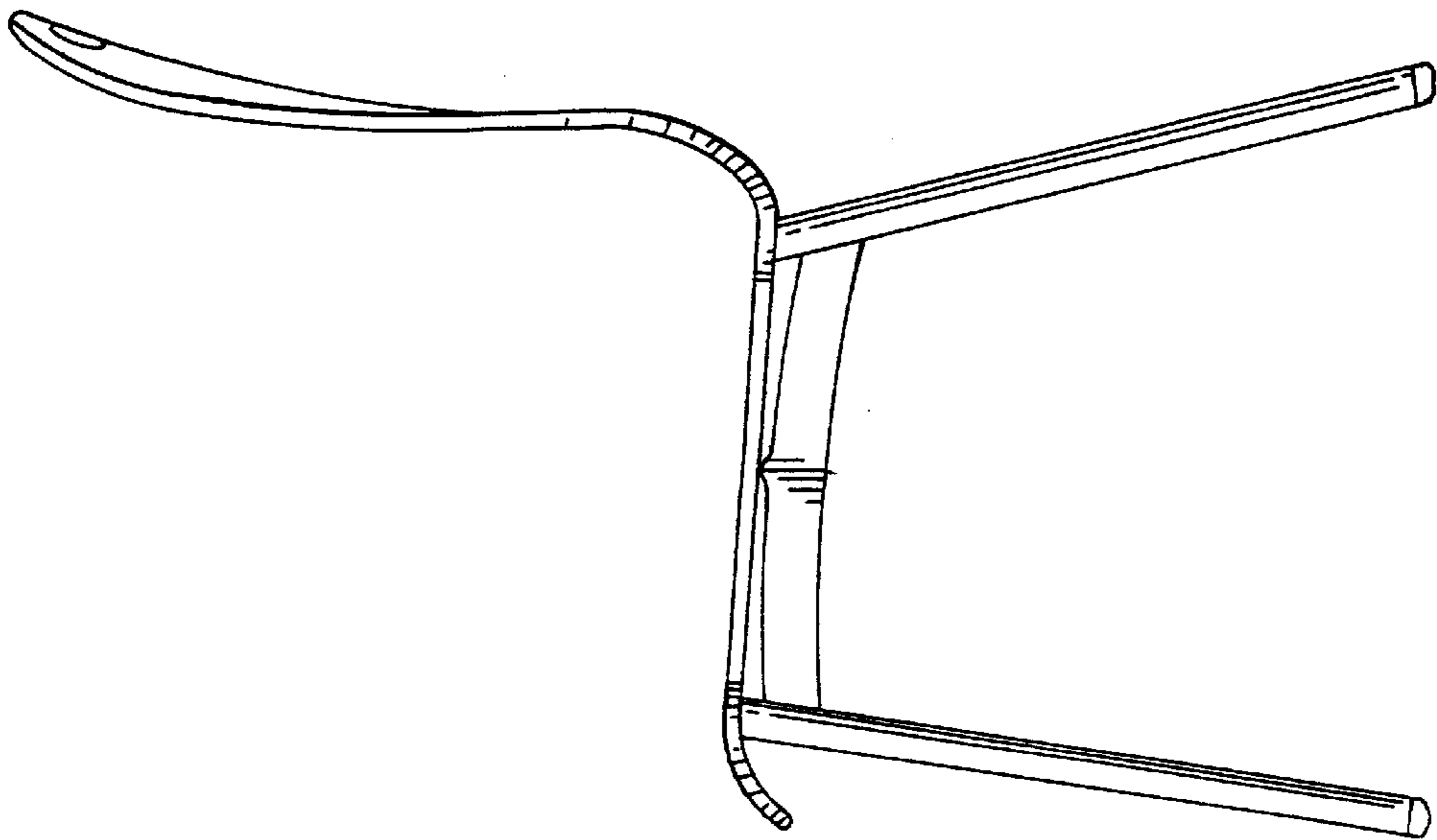


FIG. 3

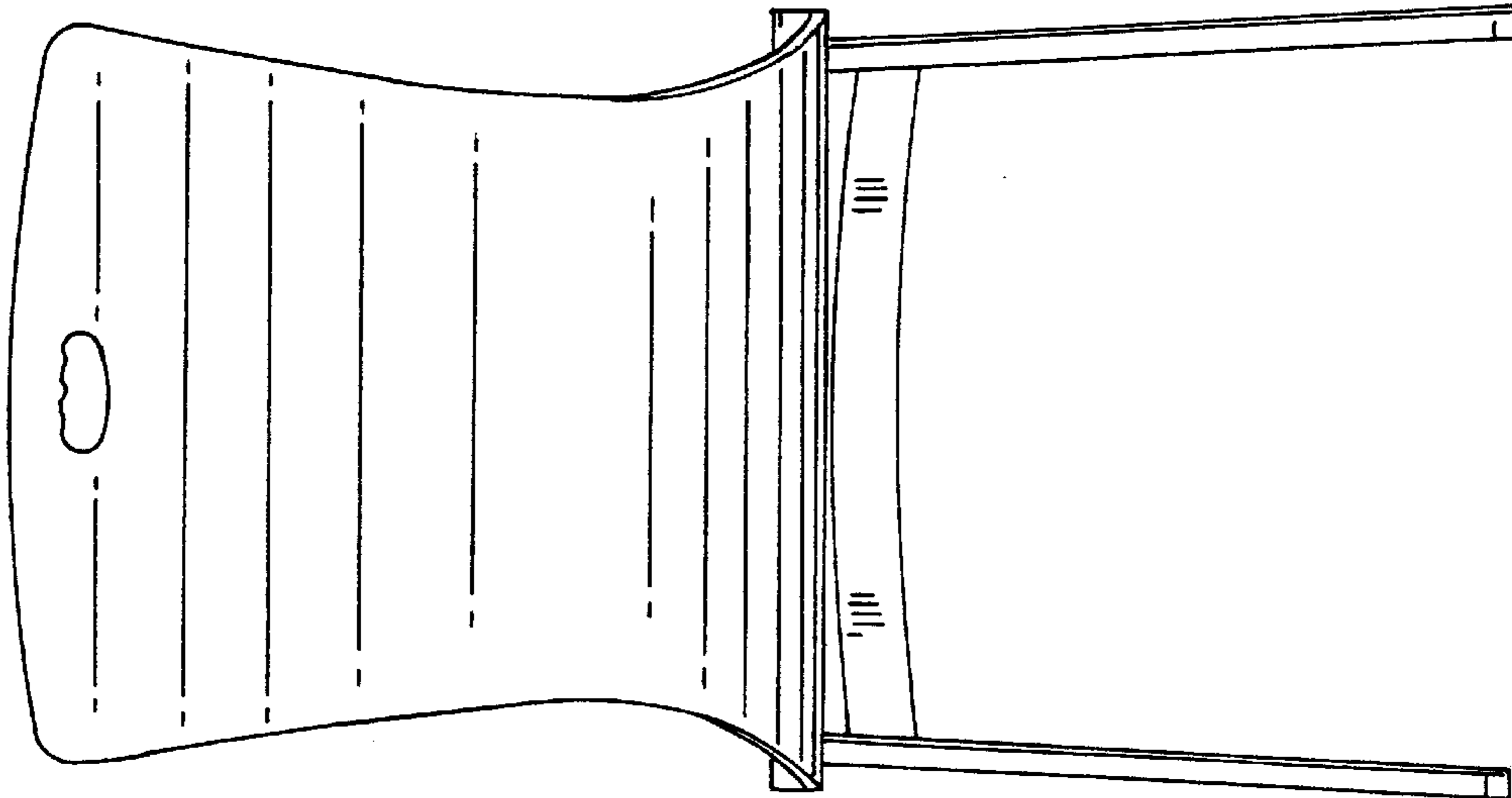


FIG. 4

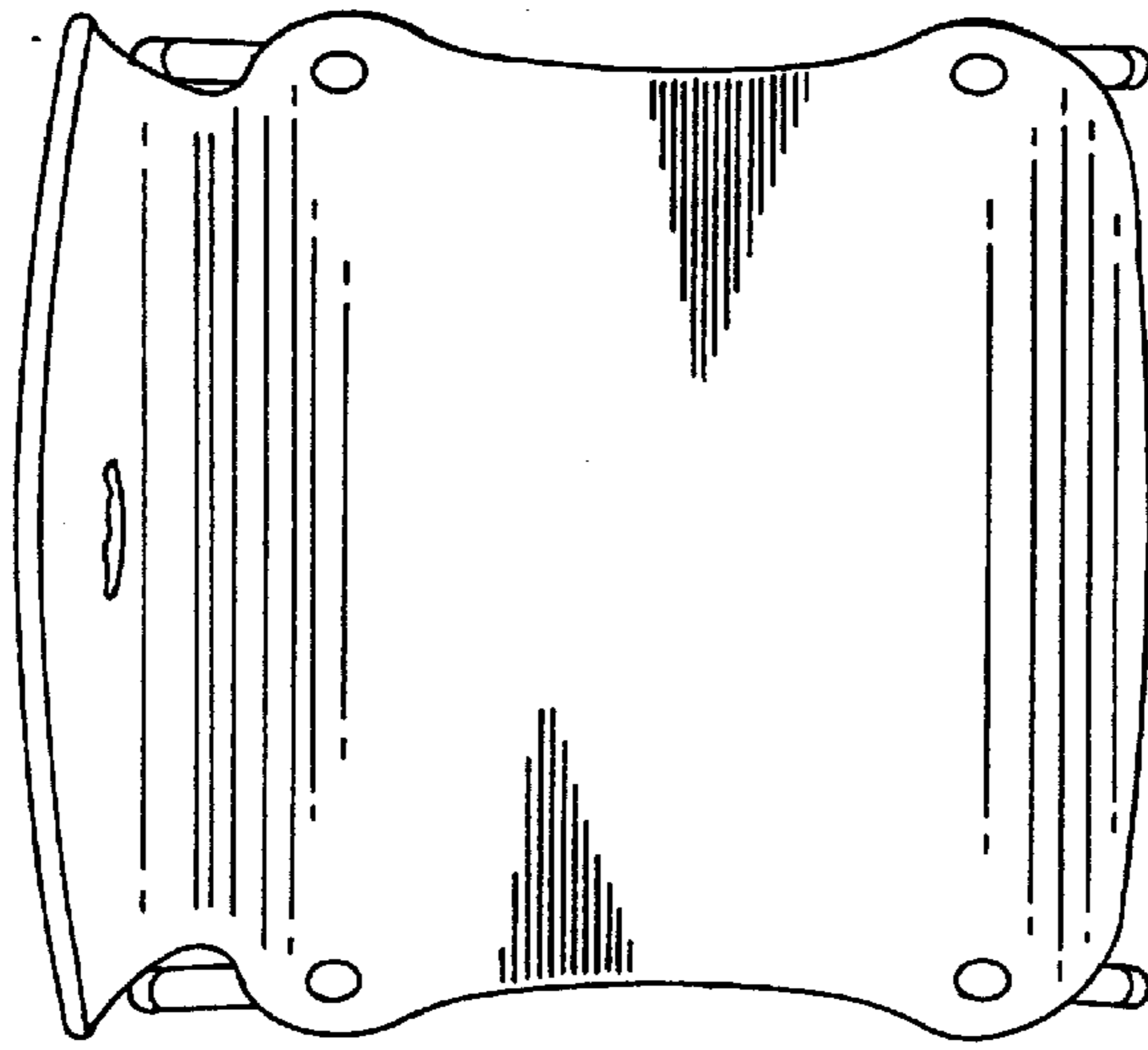


FIG. 5

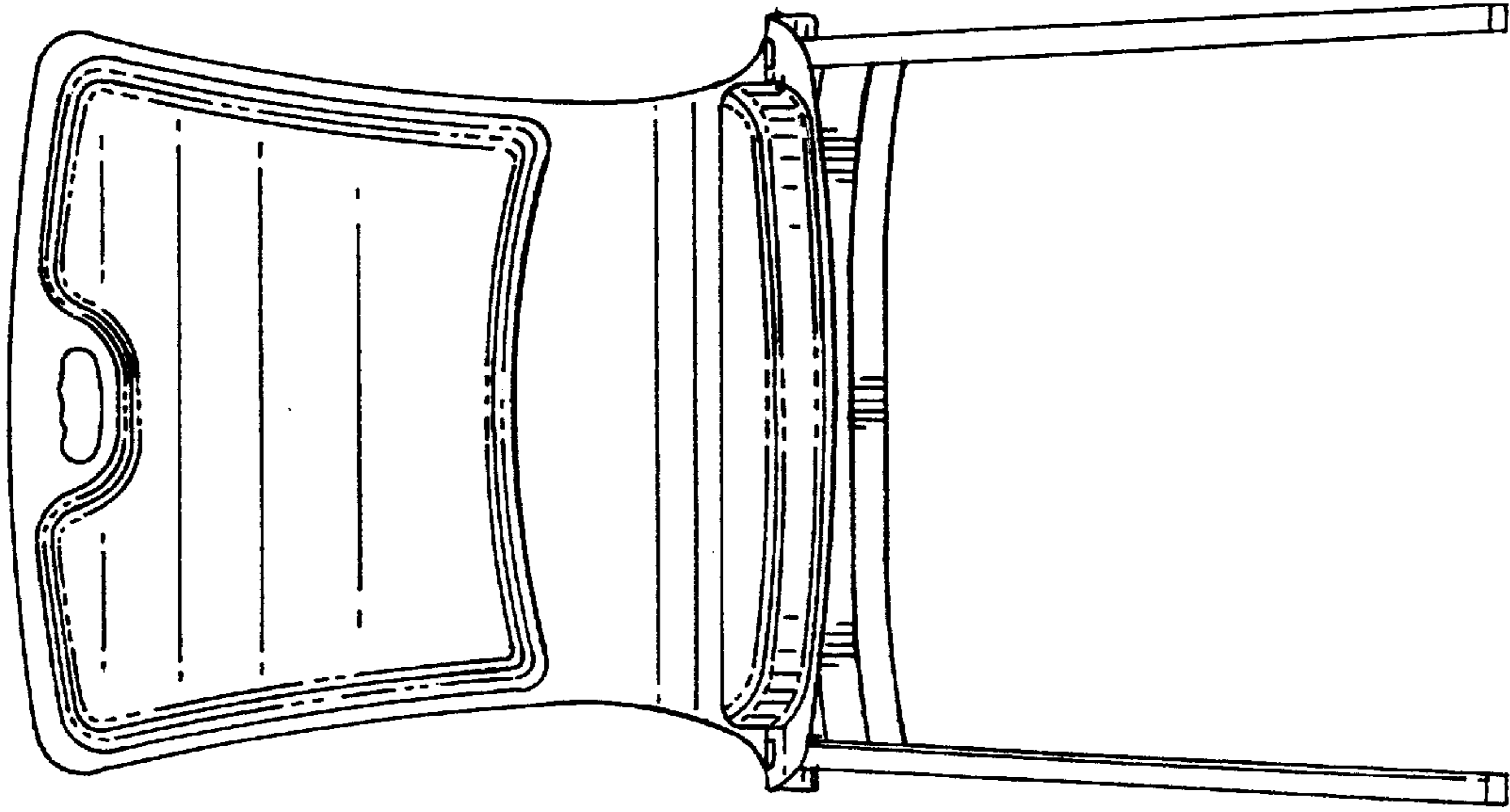


FIG. 7

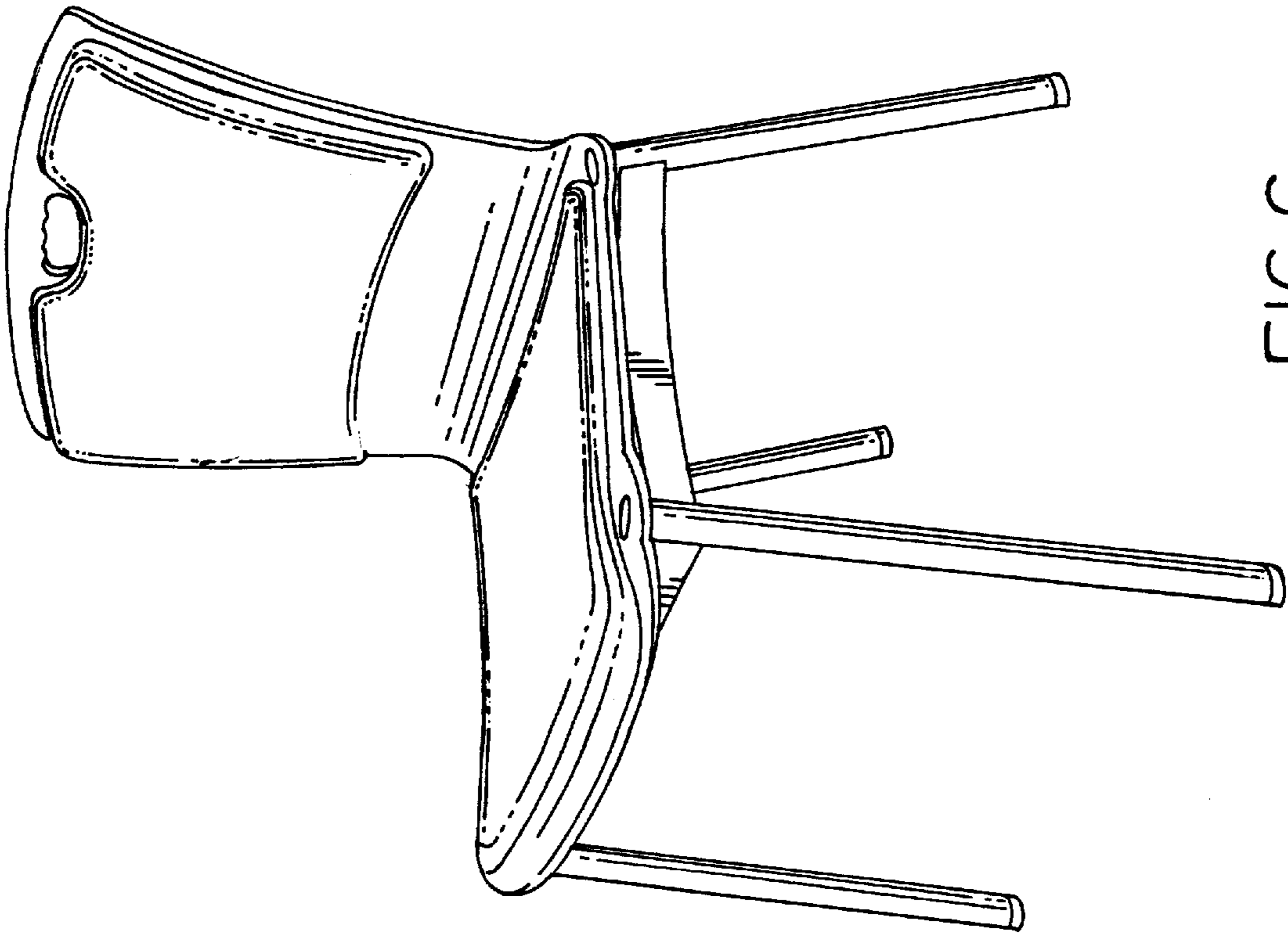


FIG. 6

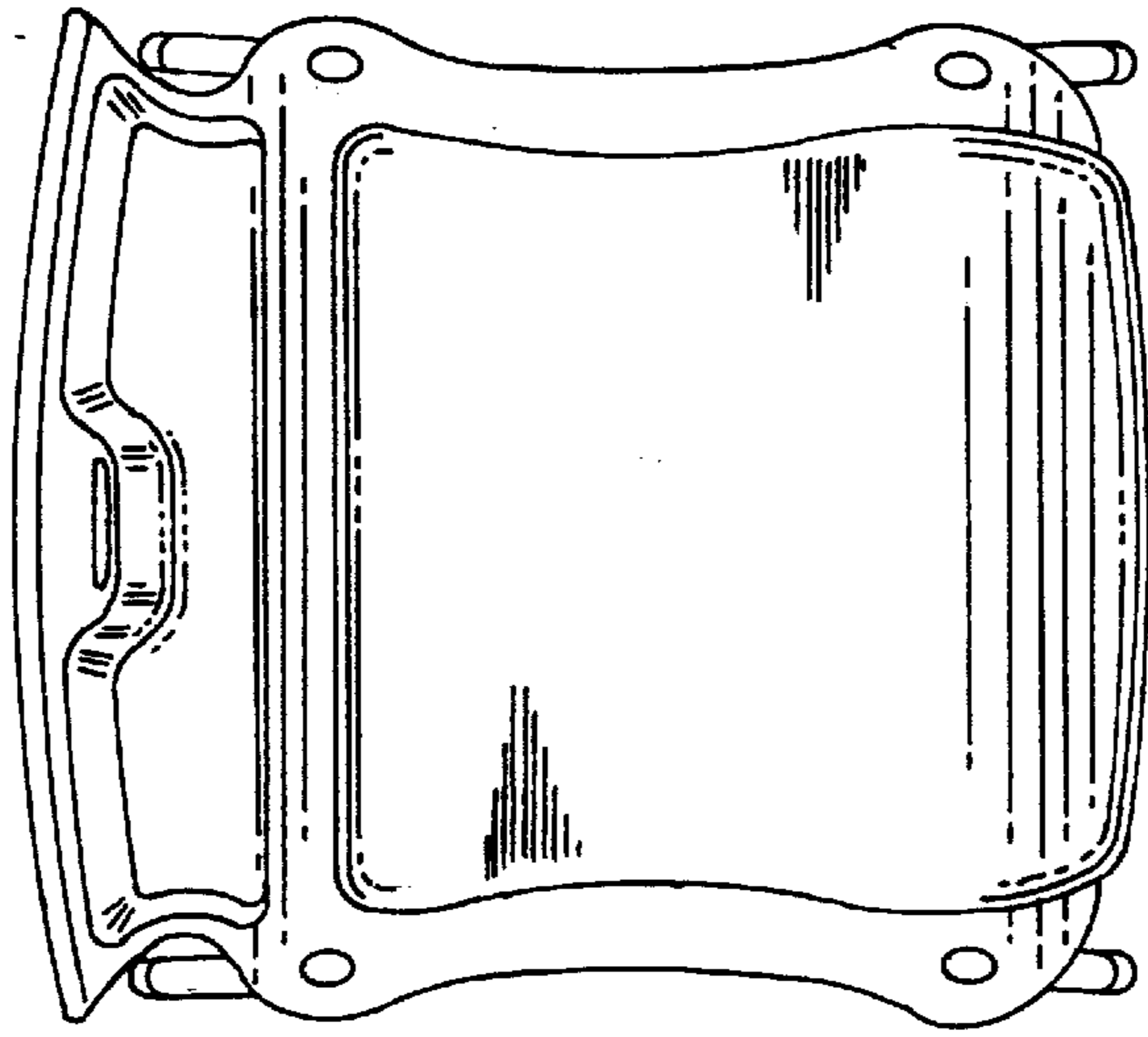
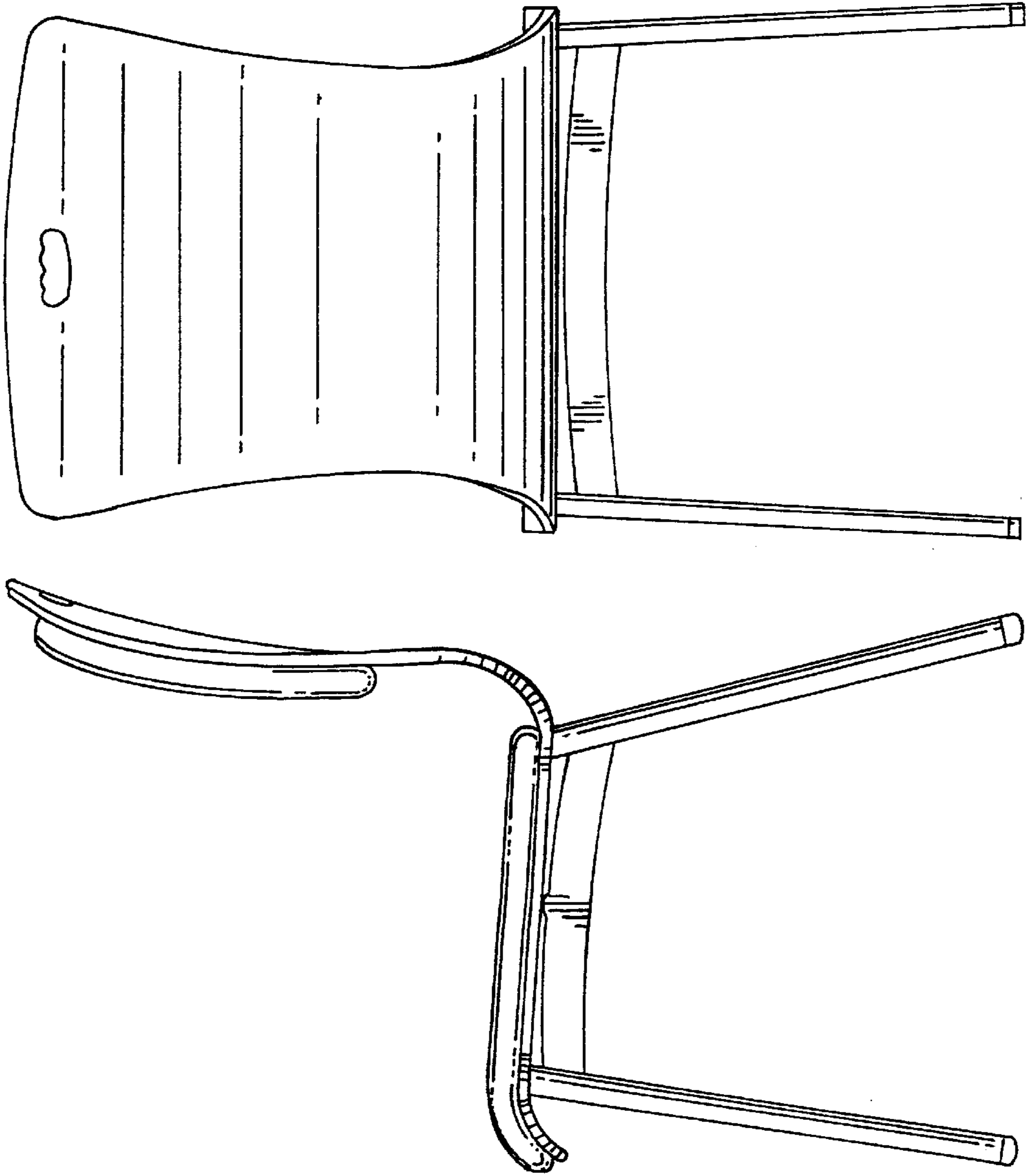


FIG.10

FIG.9

FIG.8