



US00D422152S

United States Patent [19] Yeh

[11] Patent Number: **Des. 422,152**

[45] Date of Patent: **** Apr. 4, 2000**

[54] **HANGER**

[76] Inventor: **Kuei-Hsiang Yeh**, No. 31,
Lu-Tao-Yang, Lu-Tien Tsun, Nan-Hsi
Hsiang, Tainan Hsien, Taiwan

[**] Term: **14 Years**

[21] Appl. No.: **29/105,451**

[22] Filed: **May 25, 1999**

[51] **LOC (6) Cl.** **06-08**

[52] **U.S. Cl.** **D6/317; D6/318**

[58] **Field of Search** D6/315, 317-319,
D6/513; 223/85, 88, 92; 211/113, 106,
119; 224/927, 558, 275, 555, 313, 560

[56] **References Cited**

U.S. PATENT DOCUMENTS

D. 296,958	8/1988	Dallaire et al.	D6/317
D. 334,668	4/1993	Miyahara	D6/318
D. 358,036	5/1995	Miyahara	D6/317

1,722,122	7/1929	Wilson .	
5,078,307	1/1992	Suddath	223/85
5,904,278	5/1999	Barlow et al.	223/92

Primary Examiner—B. J. Bullock
Attorney, Agent, or Firm—Skjerven, Morrill, MacPherson,
Franklin & Friel LLP; Alan H. MacPherson

[57] CLAIM

The ornamental design for a hanger, as shown and described.

DESCRIPTION

FIG. 1 is a perspective view of hanger showing my new design;

FIG. 2 is a front elevational view thereof;

FIG. 3 is a rear elevational view thereof;

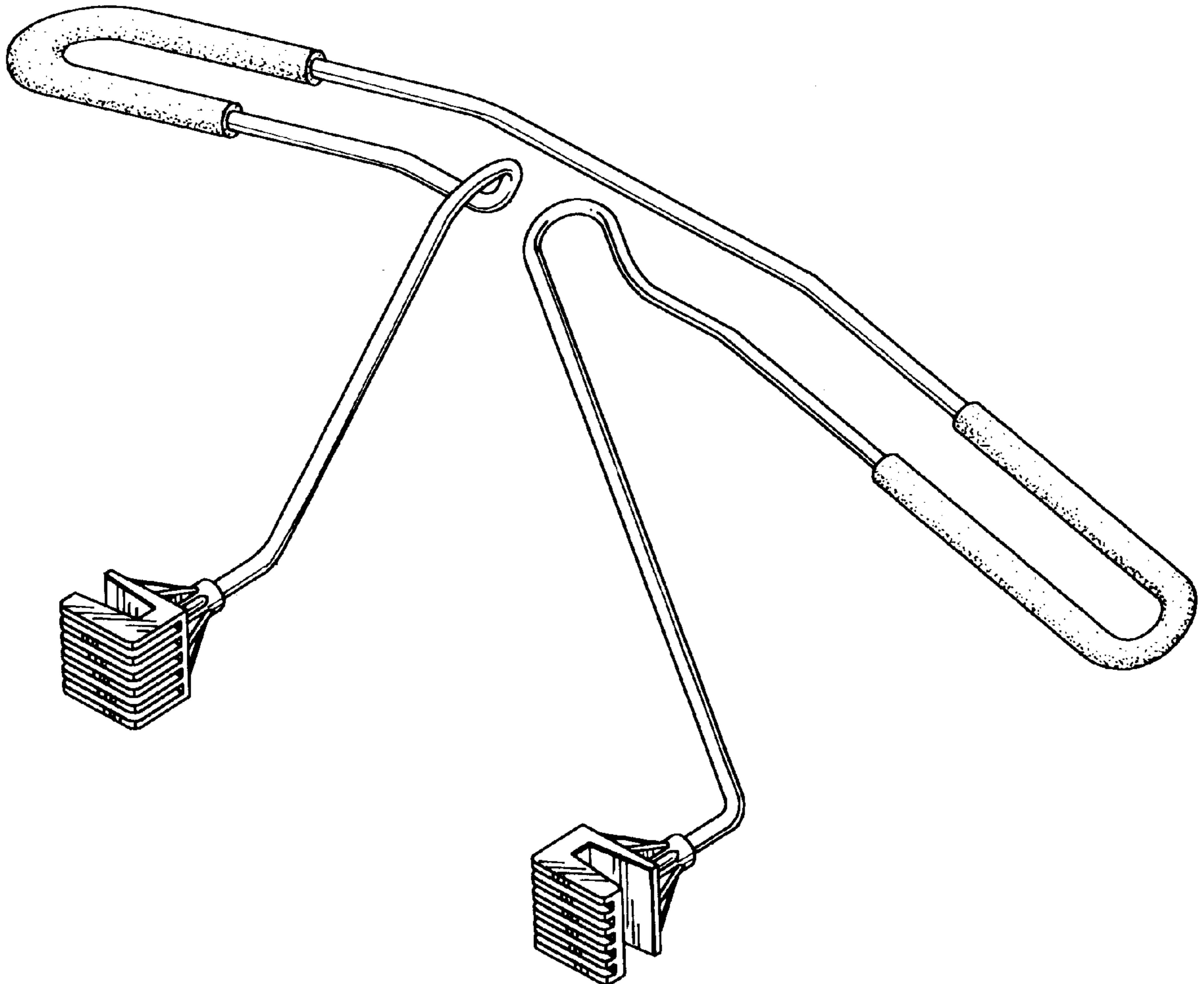
FIG. 4 is a left side elevational view thereof;

FIG. 5 is a right side elevational view thereof;

FIG. 6 is a top plan view; and,

FIG. 7 is a bottom view thereof.

1 Claim, 6 Drawing Sheets



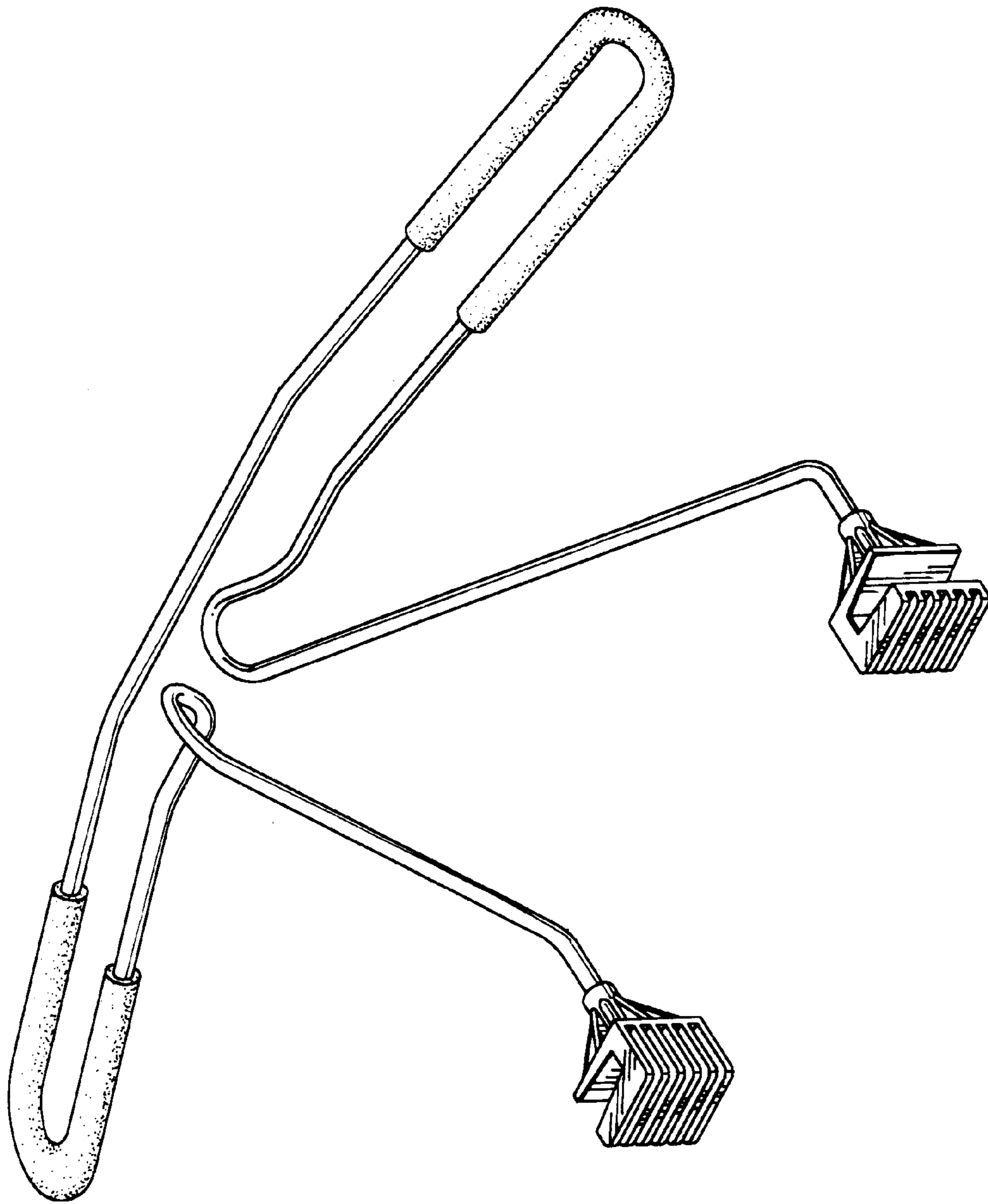


FIG. 1

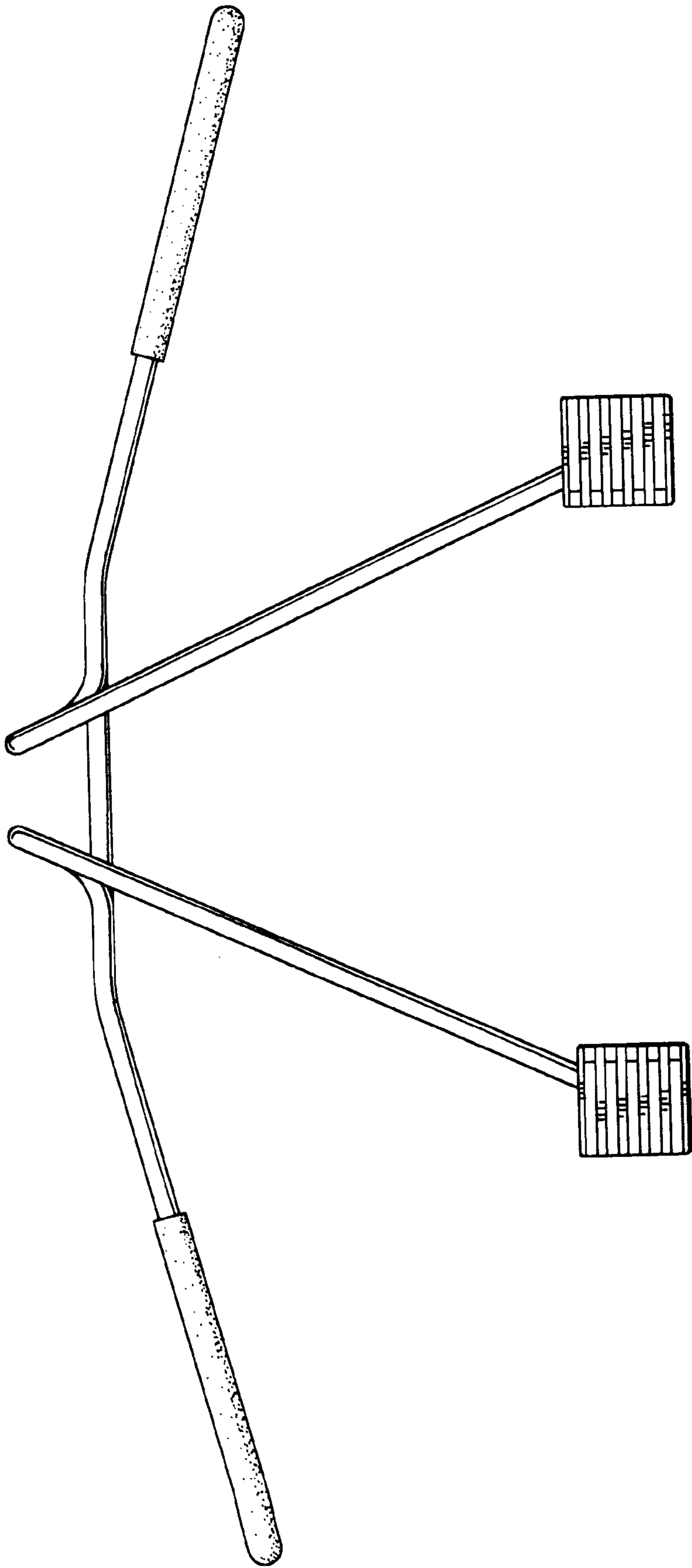


FIG. 2

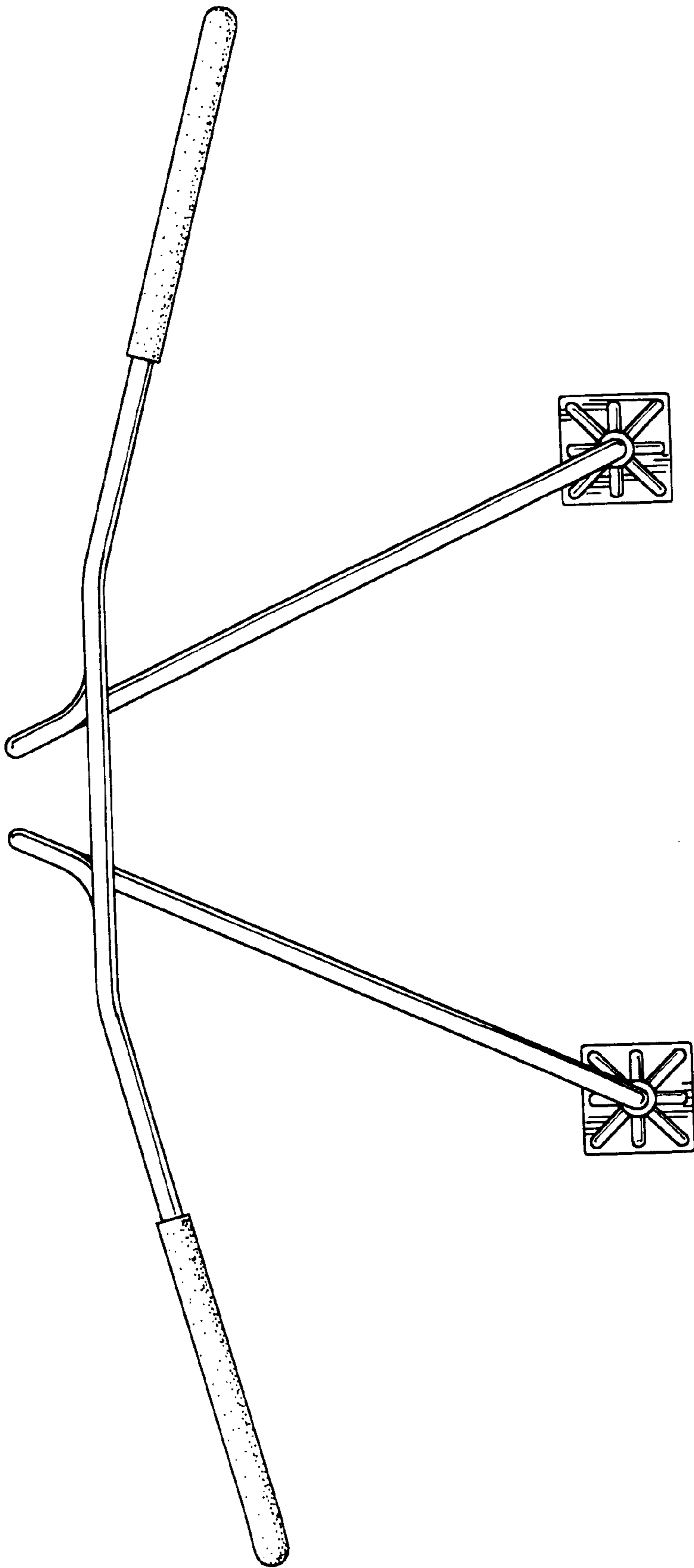


FIG. 3

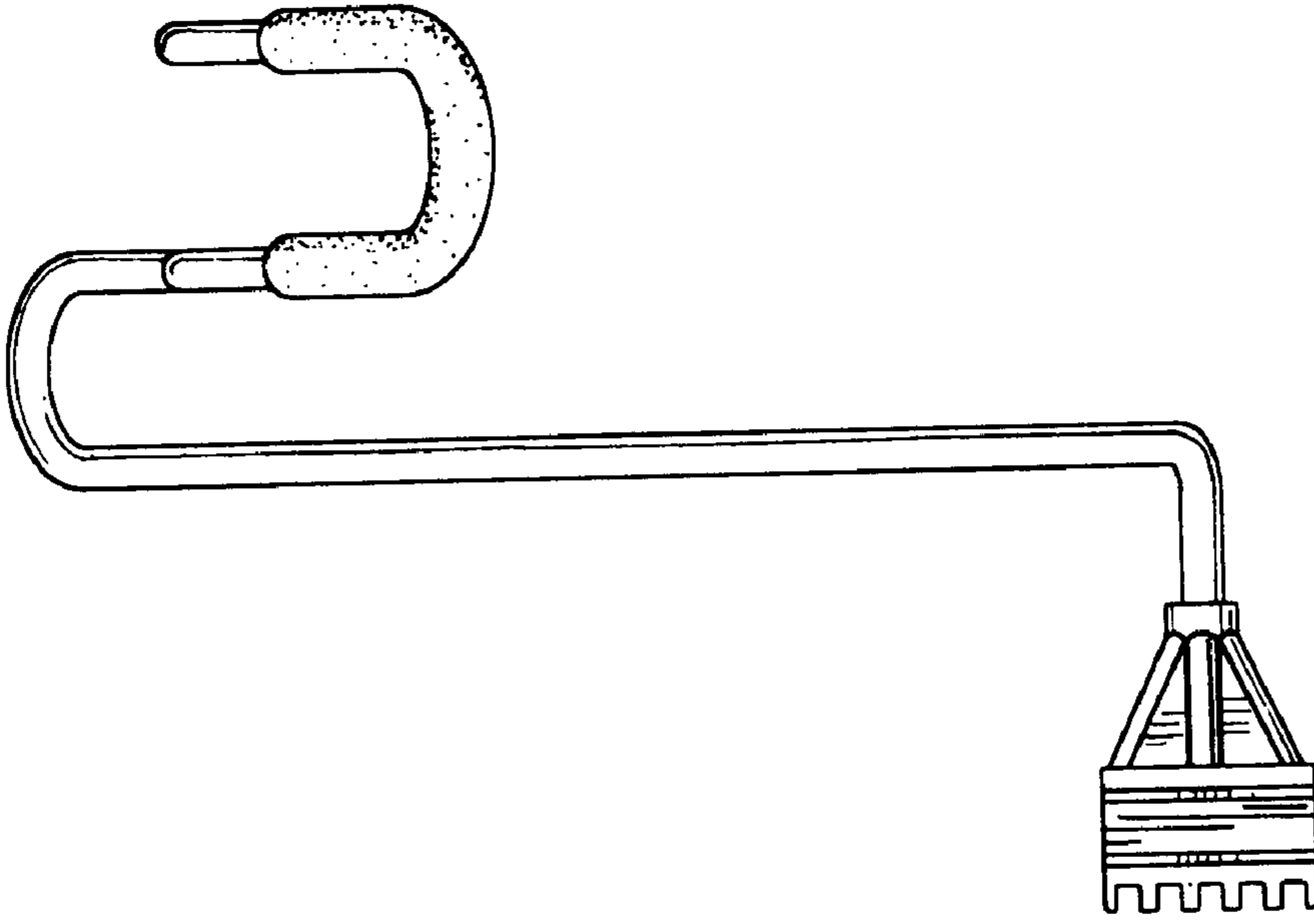


FIG. 5

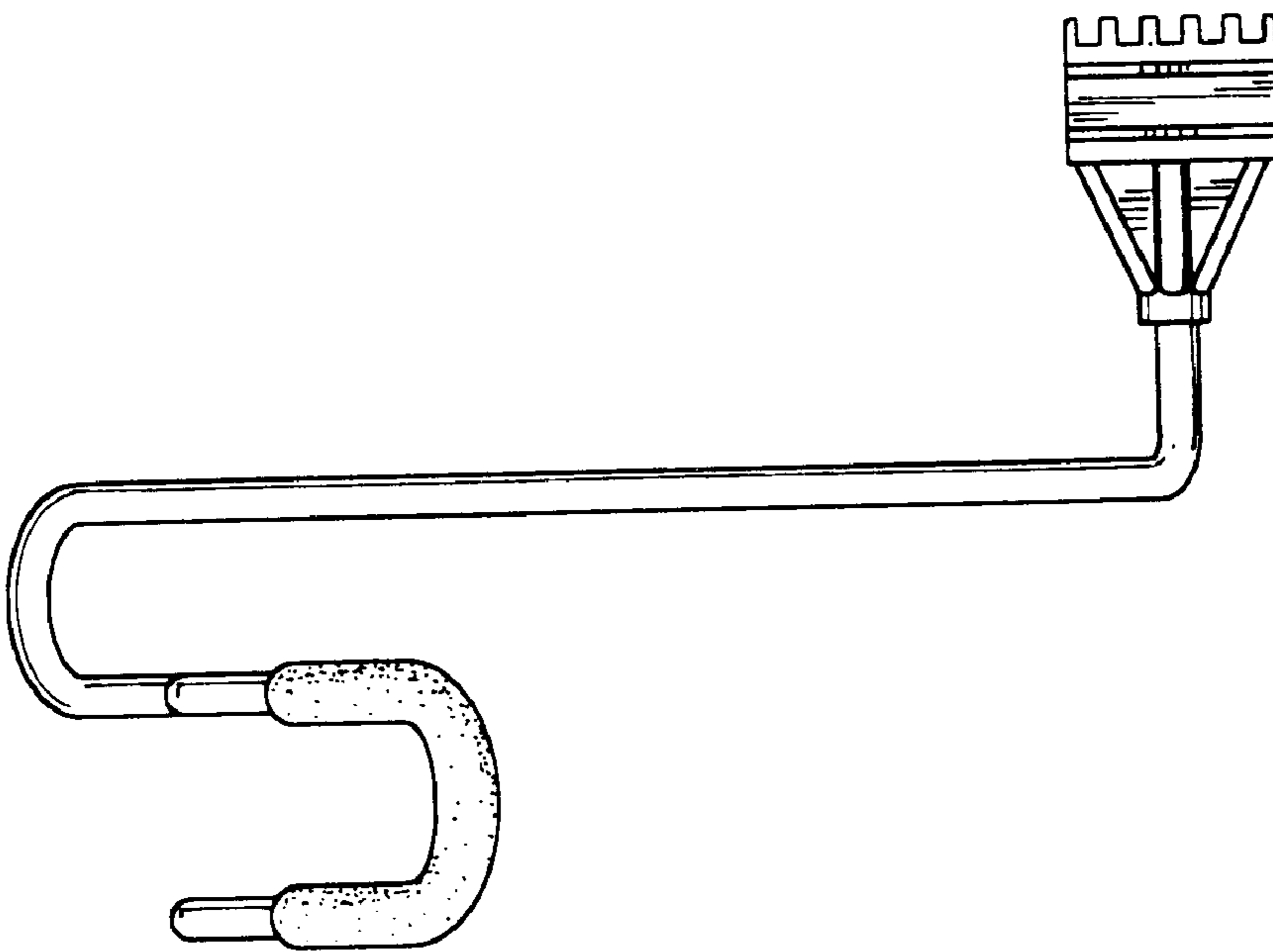


FIG. 4

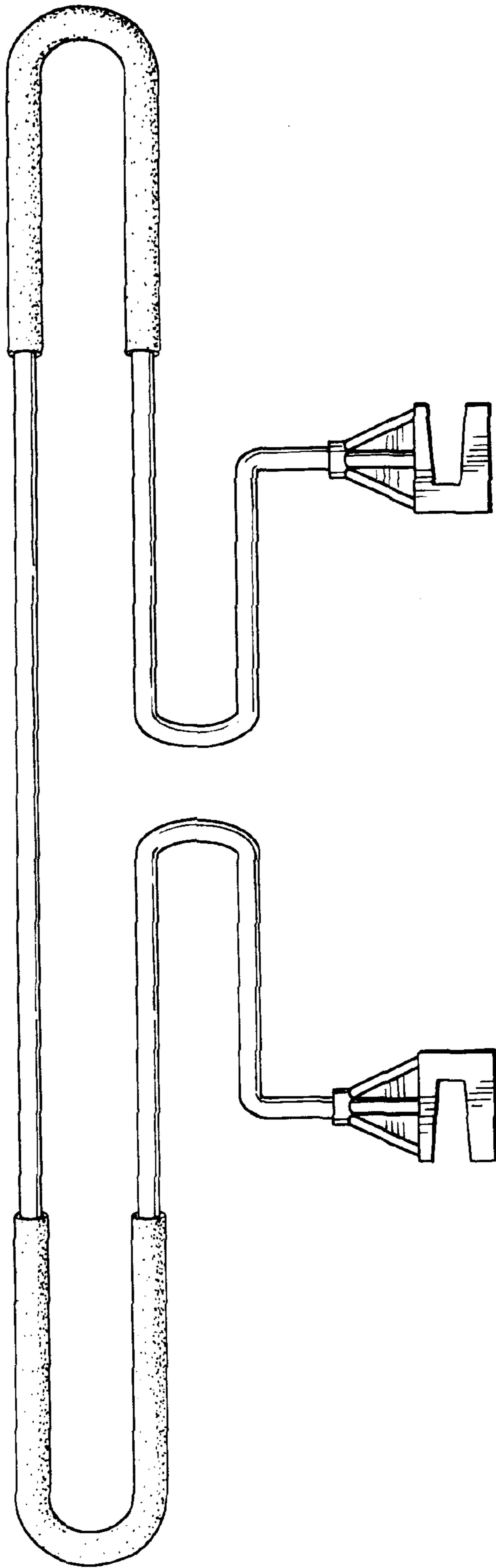


FIG. 6

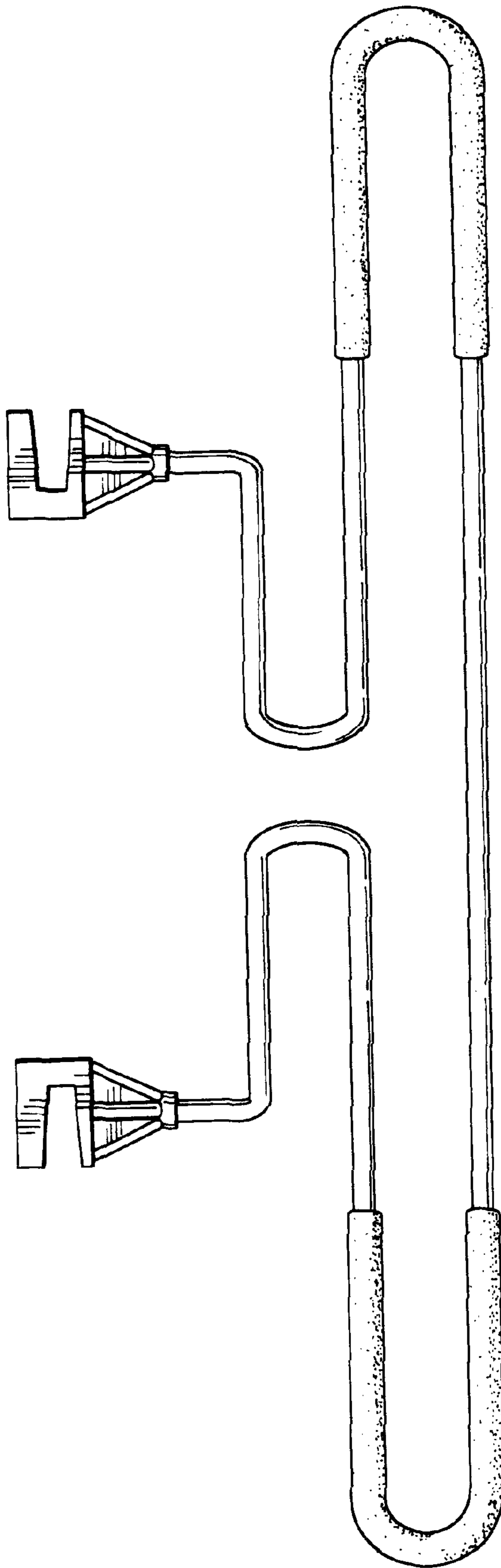


FIG. 7