



US00D422148S

# United States Patent [19] King et al.

[11] **Patent Number: Des. 422,148**  
[45] **Date of Patent: \*\* Apr. 4, 2000**

[54] **SCRATCH BRUSH HANDLE**  
[75] Inventors: **Paul T. King; Christopher B. Houghton**, both of Chicago, Ill.  
[73] Assignee: **Wright-Bernet, Inc.**, Hamilton, Ohio  
[\*\*] Term: **14 Years**  
[21] Appl. No.: **29/099,654**  
[22] Filed: **Jan. 22, 1999**

D. 388,617 1/1998 Ancona et al. .... D4/121

*Primary Examiner*—Alan P. Douglas  
*Assistant Examiner*—Lavone D. Tabor  
*Attorney, Agent, or Firm*—Ross, Ross & Flavin

### [57] CLAIM

The ornamental design for a scratch brush handle, as shown and described.

### DESCRIPTION

FIG. 1 is a top plan view of a scratch brush handle embodying our design;  
FIG. 2 is a bottom plan view thereof;  
FIG. 3 is an exploded side elevational view of the scratch brush handle components separated from one another;  
FIG. 4 is a cross sectional view taken on line 4—4 of FIG. 3;  
FIG. 5 is a cross sectional view taken on line 5—5 of FIG. 3;  
FIG. 6 is a cross sectional view taken on line 6—6 of FIG. 1; and,  
FIG. 7 is an end elevational view of the scratch brush handle of FIG. 1 as seen from the left.

The broken line showing of brush bristles in the drawing is for illustrative purposes only and forms no part of the claimed design.

The opposite side and the portions of left and right ends of the article neither shown in the drawing nor describe in the specification form no part of the claimed design.

**1 Claim, 2 Drawing Sheets**

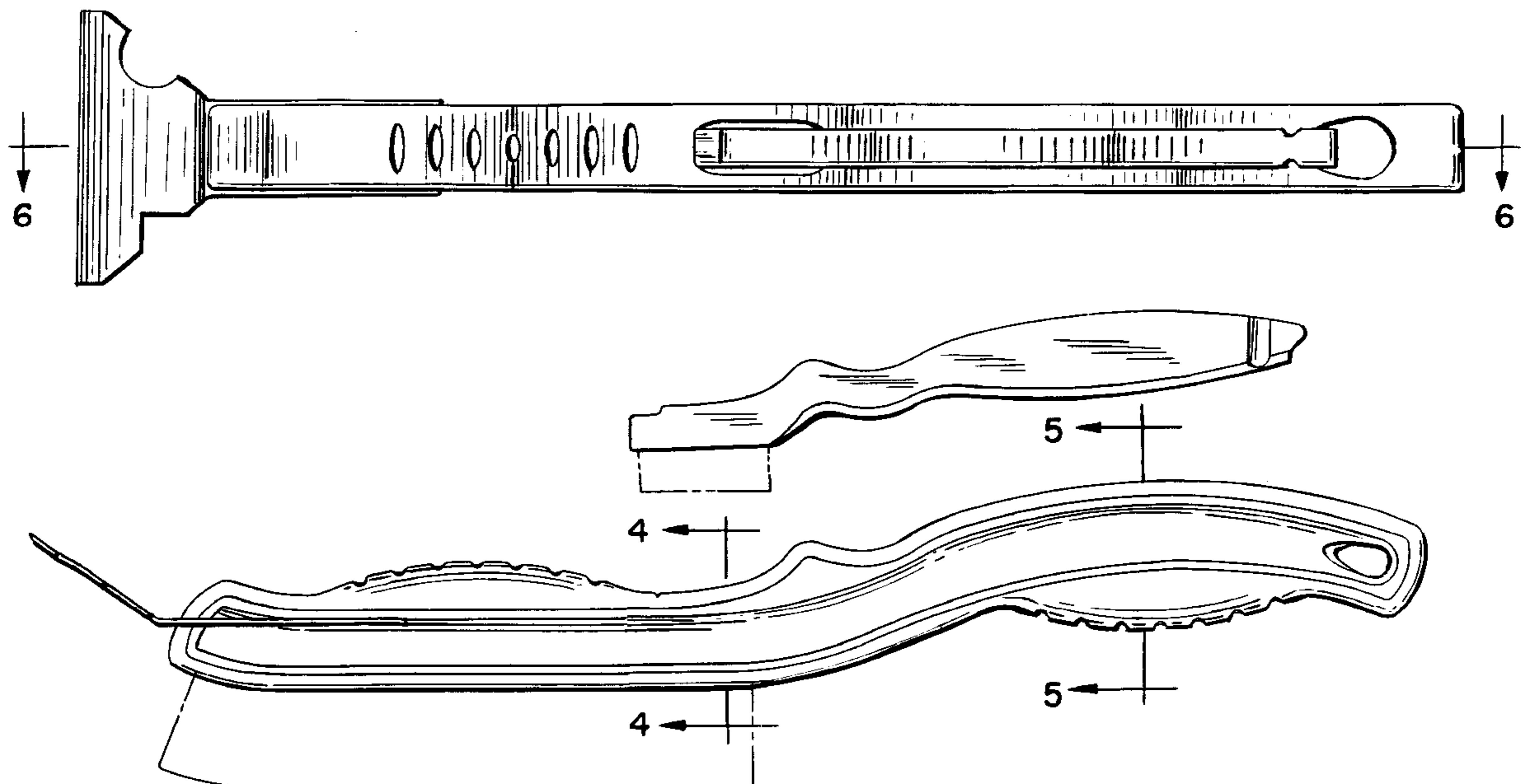
### Related U.S. Application Data

[62] Division of application No. 29/082,259, Jan. 20, 1998.  
[51] **LOC (6) Cl.** ..... **04-01**  
[52] **U.S. Cl.** ..... **D4/138; D4/118; D32/42; D32/49**  
[58] **Field of Search** ..... D4/116, 118, 132-134, D4/138, 121; D32/40, 42, 46, 48, 49; 15/111, 143.1, 159.1, 160, 186, 187, 236.01, 236.07

### [56] References Cited

#### U.S. PATENT DOCUMENTS

D. 165,862 2/1952 Partridge ..... D4/134  
D. 176,304 12/1955 Bennett ..... D4/134  
D. 231,162 4/1974 Von Der Schulenburg-Wolfsburg ..... D4/134  
D. 258,779 4/1981 Hopkins et al. .... D4/118  
D. 358,491 5/1995 Hoagland ..... D4/138  
D. 369,472 5/1996 Laubach, III et al. .... D4/138



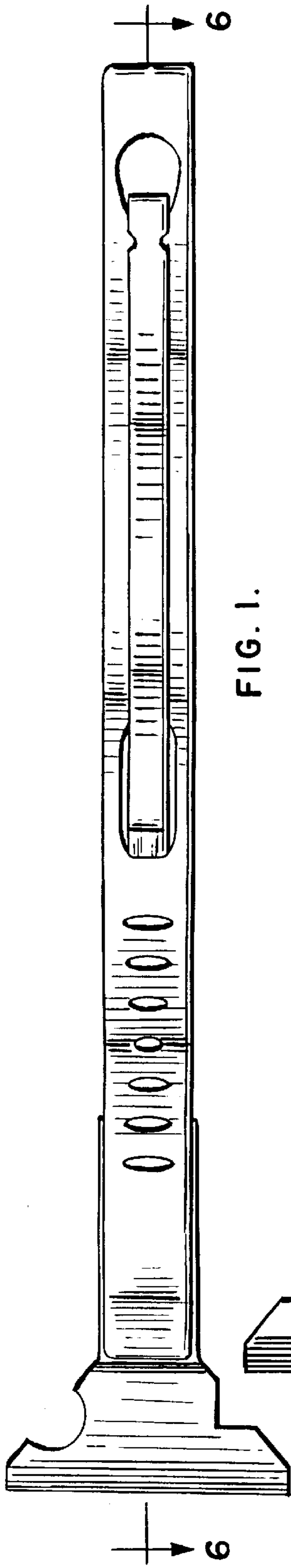


FIG. 1.

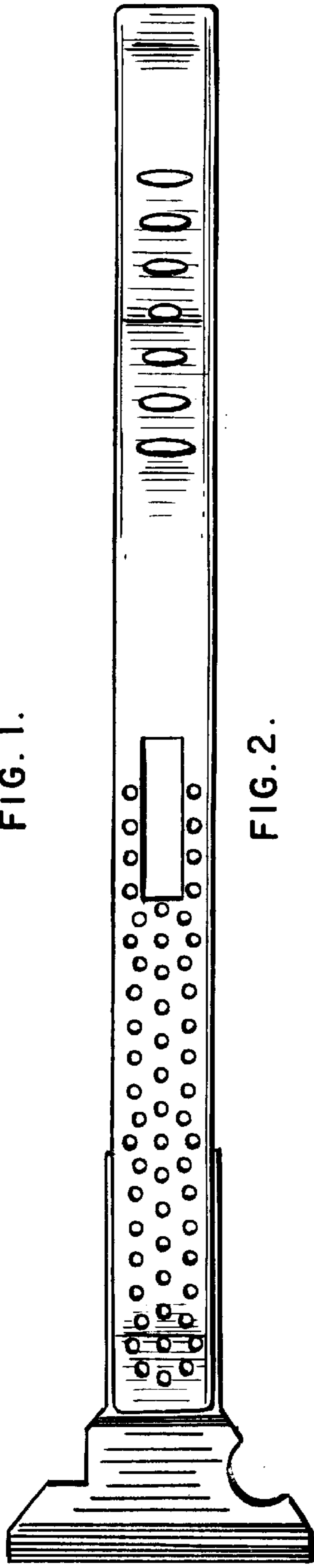


FIG. 2.

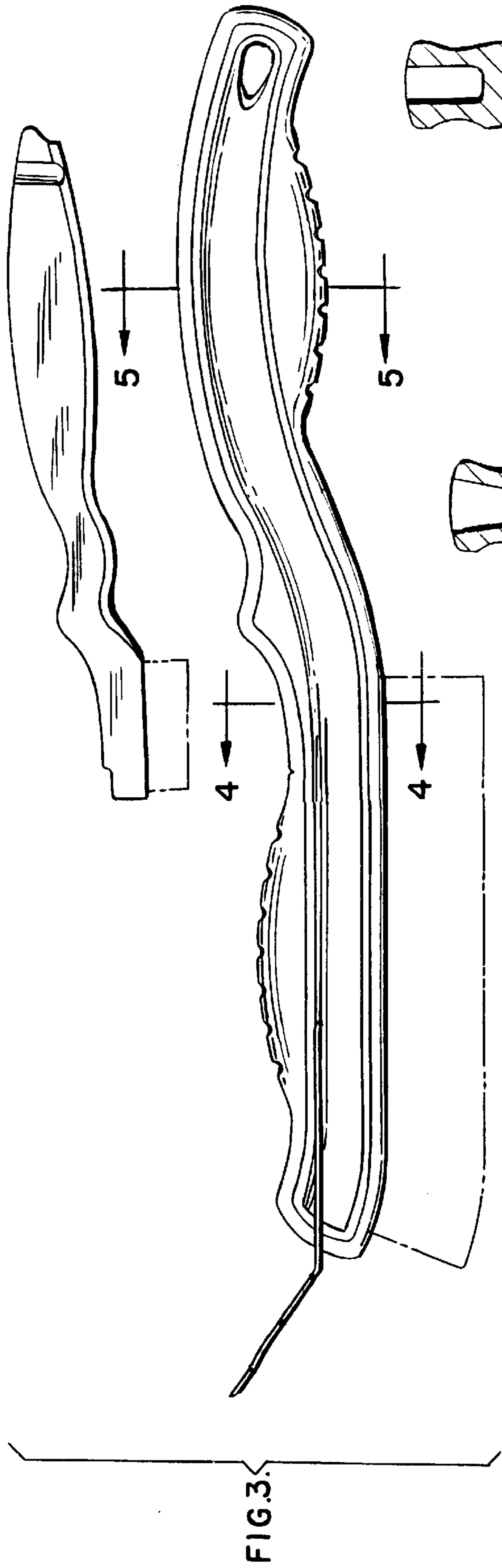


FIG. 3.

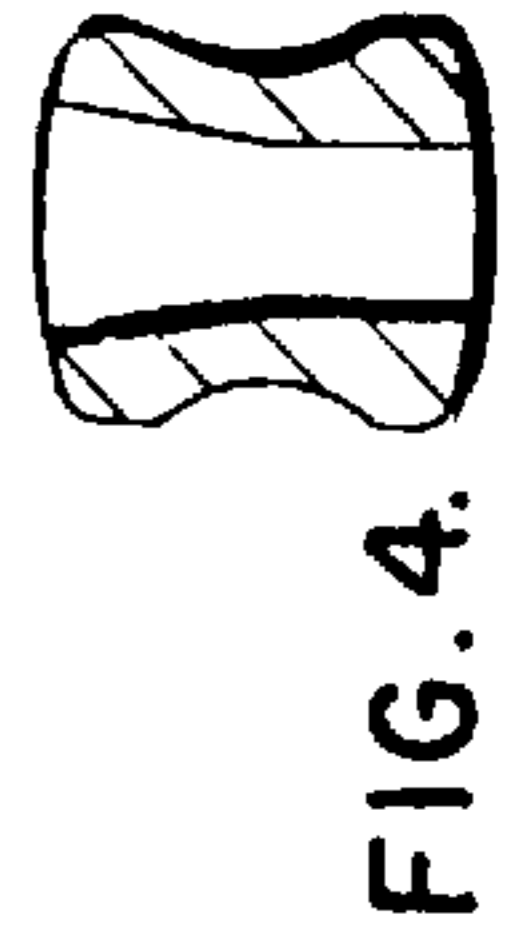


FIG. 4.

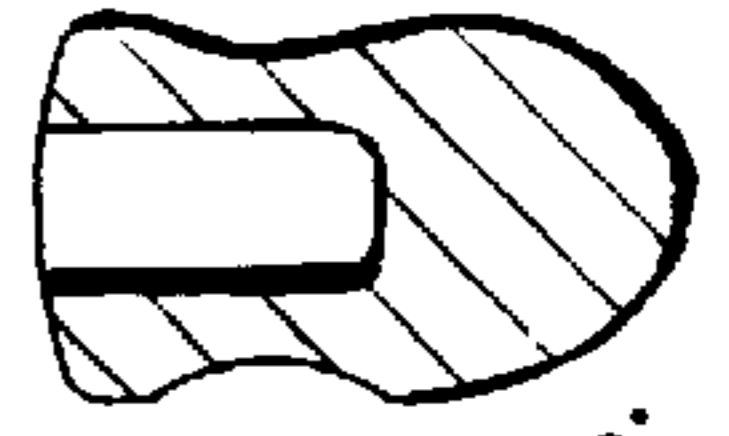


FIG. 5.

