



US00D422146S

United States Patent [19]

[11] Patent Number: Des. 422,146

Sneed et al.

[45] Date of Patent: ** Apr. 4, 2000

[54] SNOW AND ICE SCRAPER AND BRUSH UNIT

[75] Inventors: Donald G. Sneed, Overland Park; Kenneth M. Motush, Emporia, both of Kans.

[73] Assignee: Hopkins Manufacturing Corporation, Emporia, Kans.

[**] Term: 14 Years

[21] Appl. No.: 29/101,961

[22] Filed: Mar. 15, 1999

[51] LOC (6) Cl. 04-01

[52] U.S. Cl. D4/118; D32/42; D32/49

[58] Field of Search D4/116, 118, 132, D4/134, 138; D32/40, 42, 46, 49; 15/105, 111, 236.01, 236.02, 236.05, 236.06, 236.08; 30/169; D8/107

[56] References Cited

U.S. PATENT DOCUMENTS

146,713	1/1874	Ryan .	
D. 228,585	10/1973	Spydevold	D4/118
D. 258,779	4/1981	Hopkins et al. .	
D. 265,269	7/1982	Frantz .	
D. 269,054	5/1983	Bauer	D4/118
D. 327,368	6/1992	Zierhut .	
D. 335,771	5/1993	Mallory et al.	D4/118
D. 336,783	6/1993	Hopkins et al. .	
D. 337,436	7/1993	Hopkins .	
D. 345,057	3/1994	Hopkins et al. .	
D. 364,720	11/1995	Francis et al.	D32/49
511,769	1/1894	Gladding .	
1,887,913	11/1932	Bell .	

2,719,995	11/1955	Hohenstein .	
2,792,584	5/1957	Fryda .	
3,017,649	1/1962	Racicot .	
3,051,975	9/1962	Schwartz .	
4,041,564	8/1977	Schlicher .	
4,719,660	1/1988	Hopkins .	
4,984,324	1/1991	Farris	15/236.05

Primary Examiner—Alan P. Douglas
Assistant Examiner—Lavone D. Tabor
Attorney, Agent, or Firm—Hovey, Williams, Timmons & Collins

[57] CLAIM

The ornamental design for a snow and ice scraper and brush unit, as shown and described.

DESCRIPTION

FIG. 1 is a left side elevational view of a snow and ice scraper and brush unit embodying our design, the broken lines representing the brush are for illustrative purposes only and therefore form no part of the claimed design, with the right side elevational view of the scraper and brush unit being a mirror image thereof;

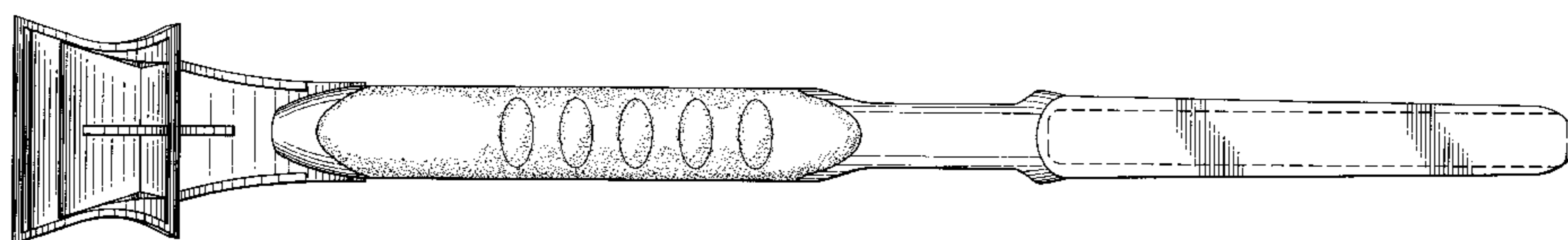
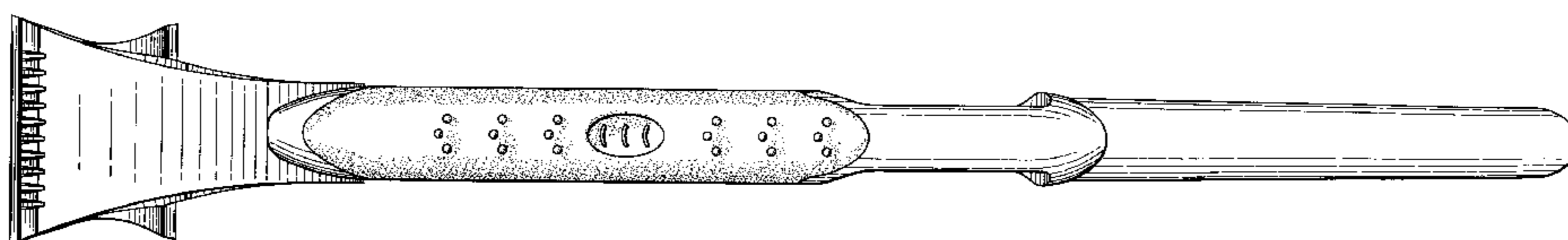
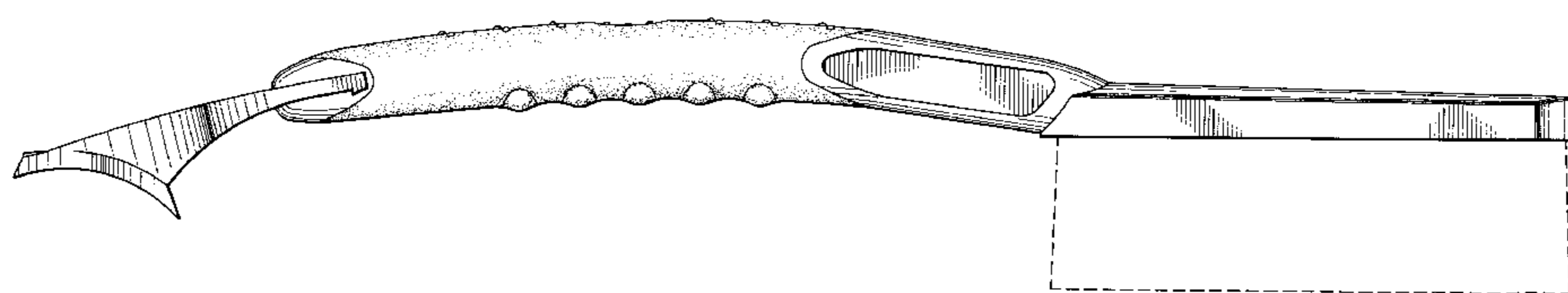
FIG. 2 is a top plan view of the snow and ice scraper and brush unit;

FIG. 3 is a bottom plan view of the snow and ice scraper and brush unit, with the brush being illustrated in broken lines for the reasons noted above;

FIG. 4 is a front elevational view of the snow and ice scraper and brush unit, with the brush being illustrated in broken lines for the reasons noted above; and,

FIG. 5 is a rear elevational view of the snow and ice scraper and brush unit, with the brush being illustrated in broken lines for the same reasons noted above.

1 Claim, 2 Drawing Sheets



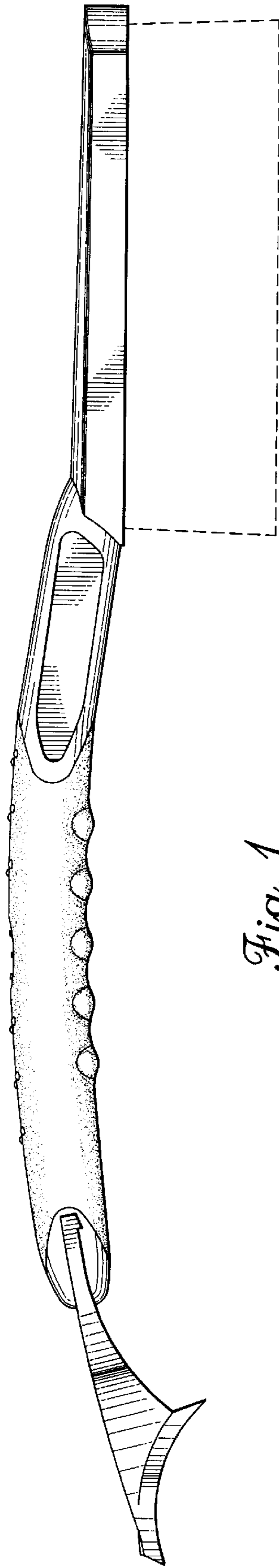


Fig. 1.

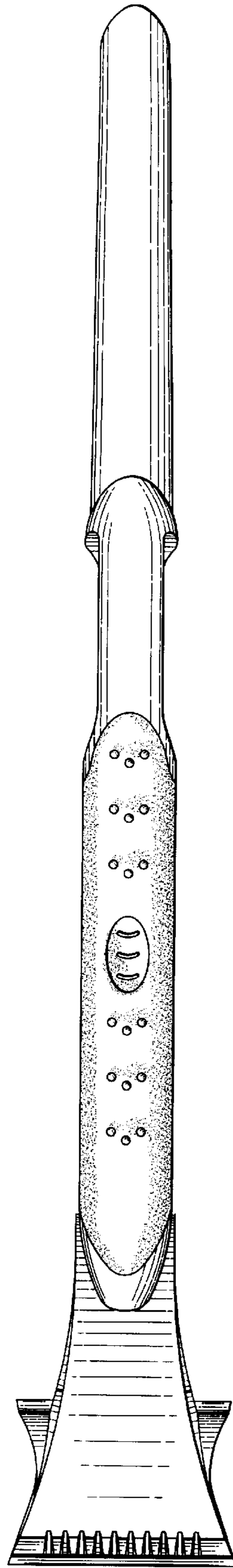


Fig. 2.

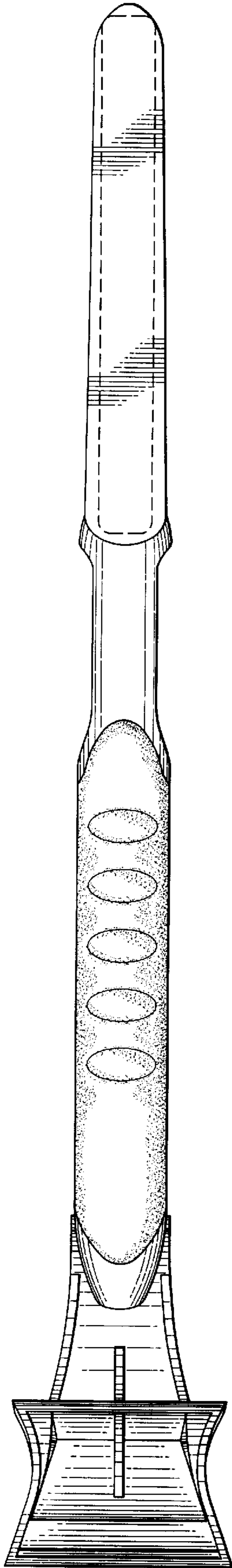


Fig. 3.

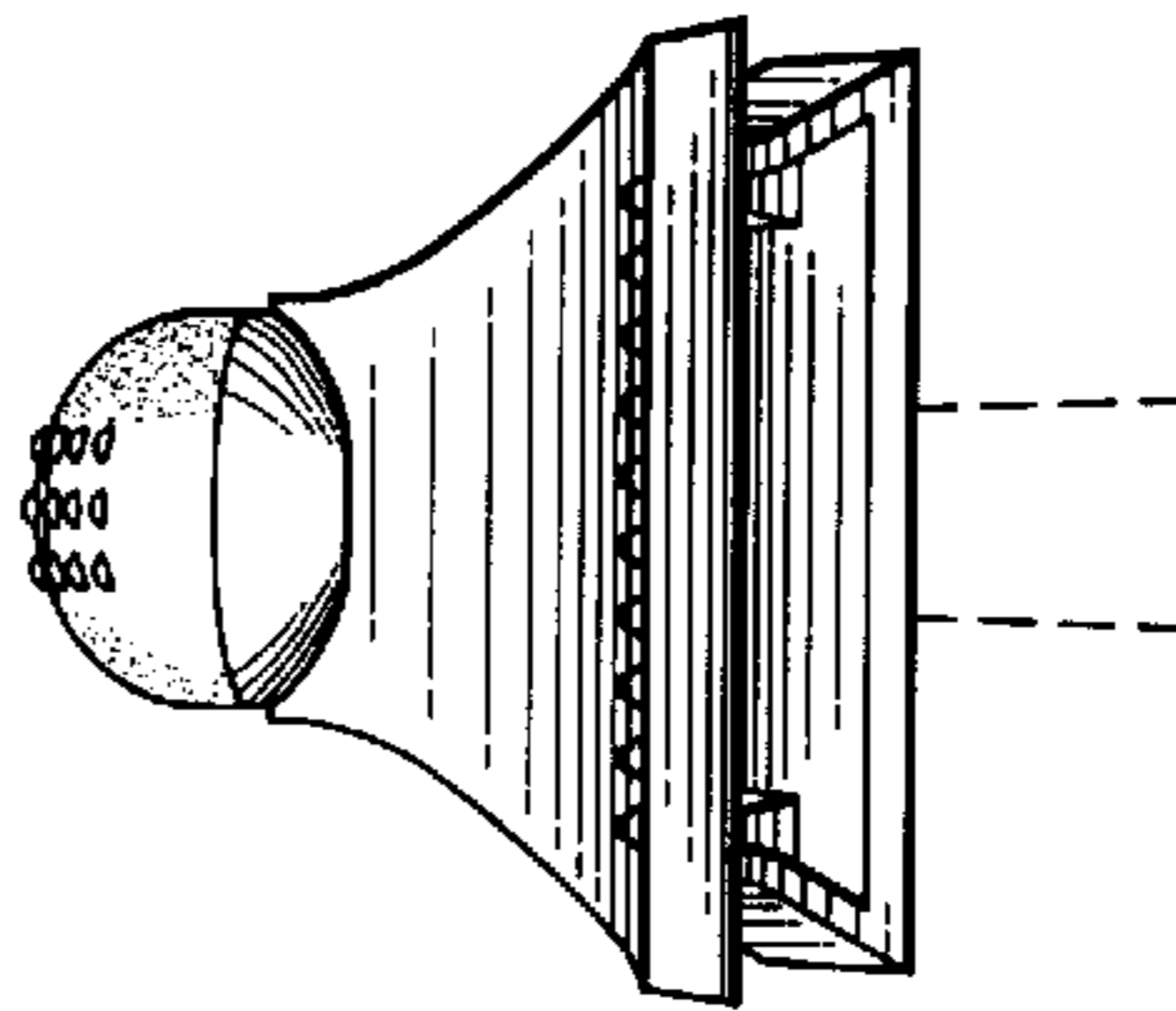


Fig. 4.

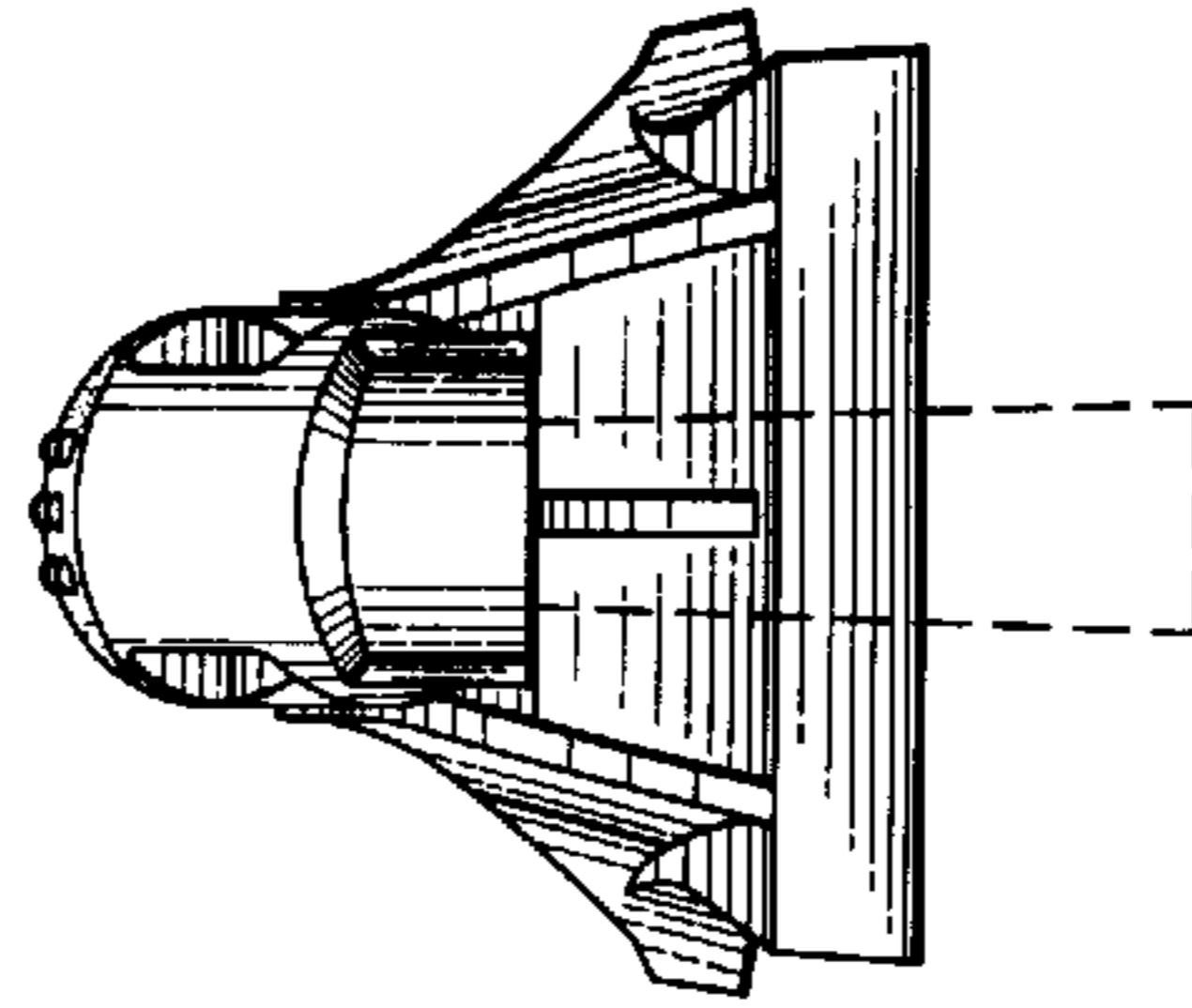


Fig. 5.