



US00D422141S

United States Patent [19] Dembicks

[11] **Patent Number: Des. 422,141**
[45] **Date of Patent: ** Apr. 4, 2000**

[54] **NINE COMPARTMENT TRAY**

[76] Inventor: **Andrew E. Dembicks**, 5308 Boca Marina Cir. North, Boca Raton, Fla. 33487

[**] Term: **14 Years**

[21] Appl. No.: **29/107,491**

[22] Filed: **Jul. 7, 1999**

[51] **LOC (6) Cl. 03-01**

[52] **U.S. Cl. D3/313; D3/201; D3/304**

[58] **Field of Search D3/201, 304, 313; 206/558, 562, 564; 220/507**

[56] **References Cited**

U.S. PATENT DOCUMENTS

D. 278,255	4/1985	Evenson	D3/313
D. 385,111	10/1997	Dickenson et al.	D3/304 X
3,669,131	6/1972	Parker	206/558
3,917,106	11/1975	Bargetli	206/558
4,595,102	6/1986	Cianci et al.	206/558
4,852,738	8/1989	Craig et al.	206/558
5,223,220	6/1993	Fan et al.	206/564

Primary Examiner—Louis S. Zarfes
Assistant Examiner—Monica A. Weingart
Attorney, Agent, or Firm—Quarles & Brady LLP

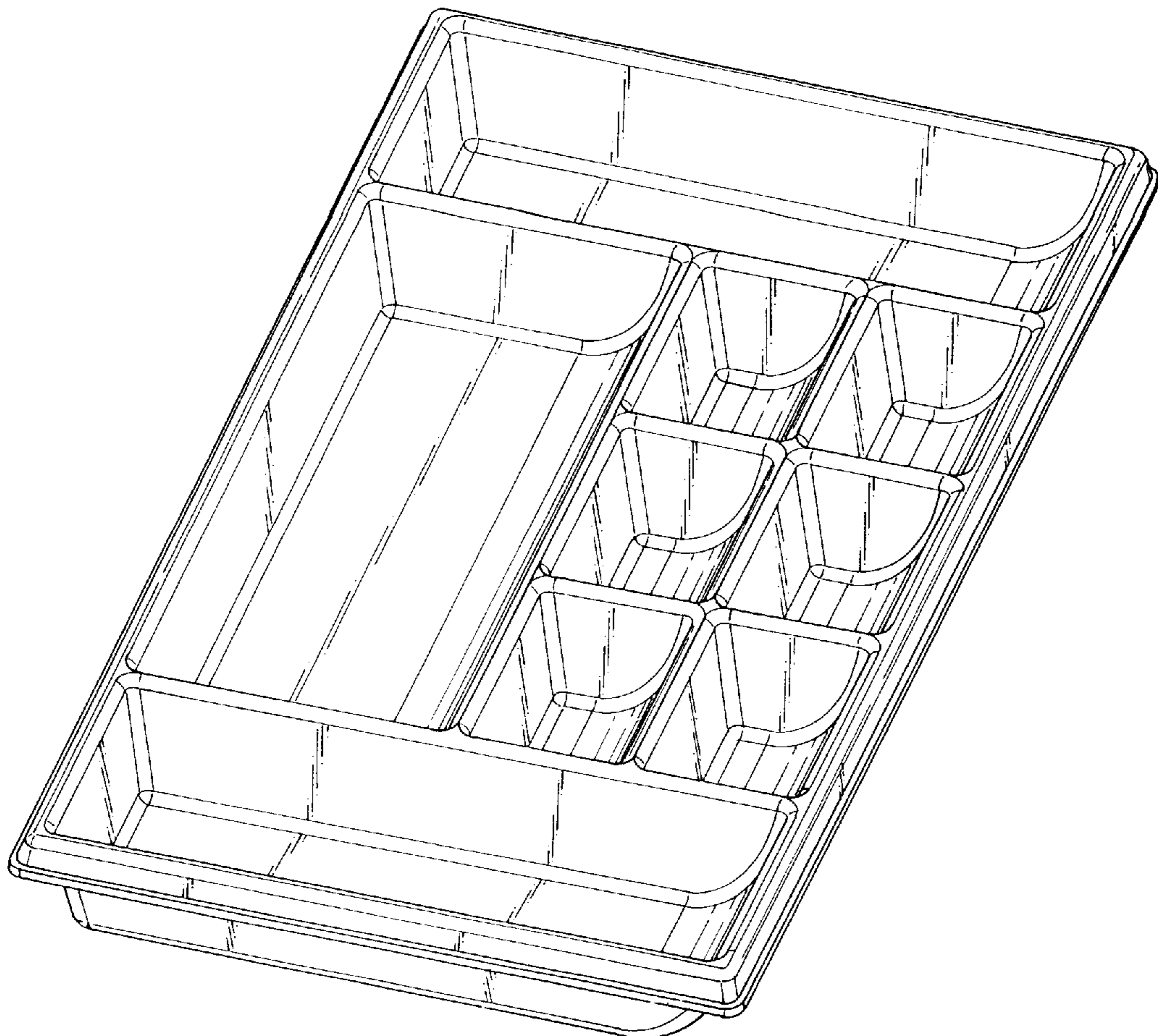
[57] **CLAIM**

An ornamental design for a nine compartment tray, as shown and described.

DESCRIPTION

FIG. 1 is a perspective view of the nine compartment tray according to the subject invention;
FIG. 2 is a back view of the nine compartment tray according to the subject invention;
FIG. 3 is a front view of the nine compartment tray according to the subject invention;
FIG. 4 is a back sectional view of the nine compartment tray according to the subject invention
FIG. 5 is a top view of the nine compartment tray according to the subject invention
FIG. 6 is a bottom view of the nine compartment tray according to the subject invention
FIG. 7 is a side view of the nine compartment tray according to the subject invention; and,
FIG. 8 is a side sectional view of three of the compartments of the nine compartment tray according to the subject invention.

1 Claim, 2 Drawing Sheets



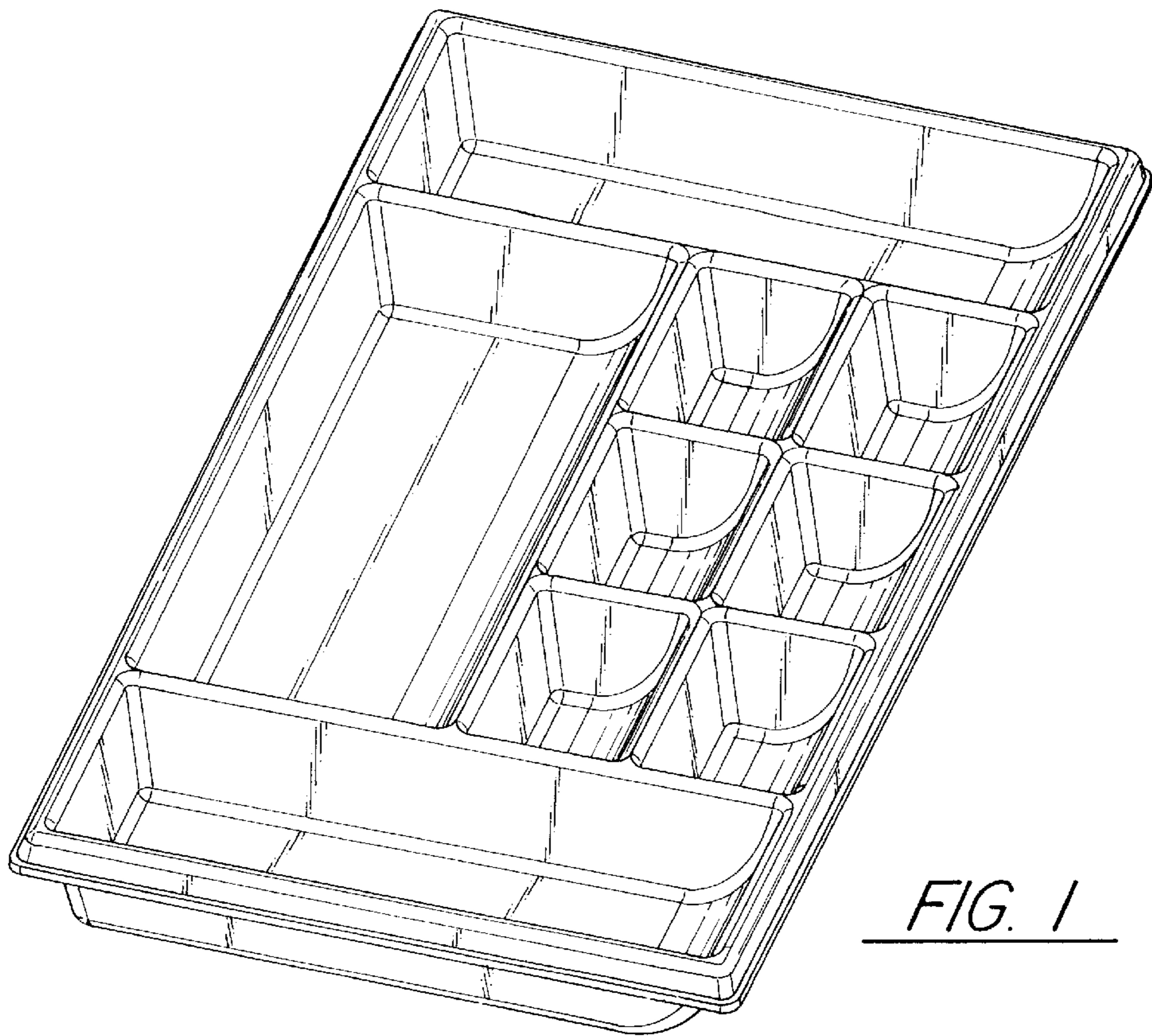


FIG. 1

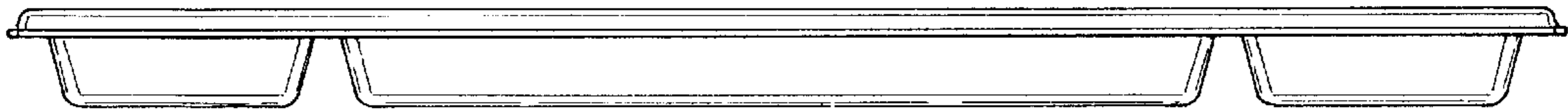


FIG. 2

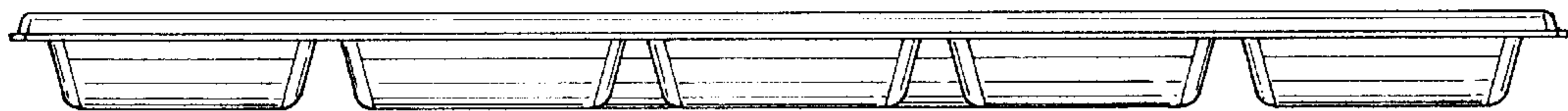


FIG. 3

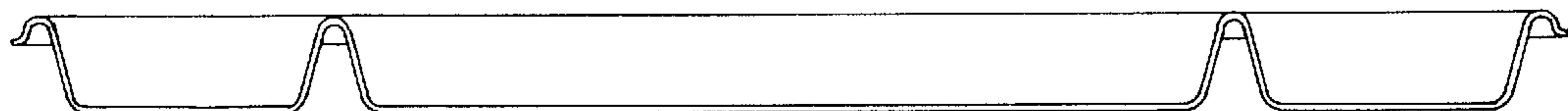


FIG. 4

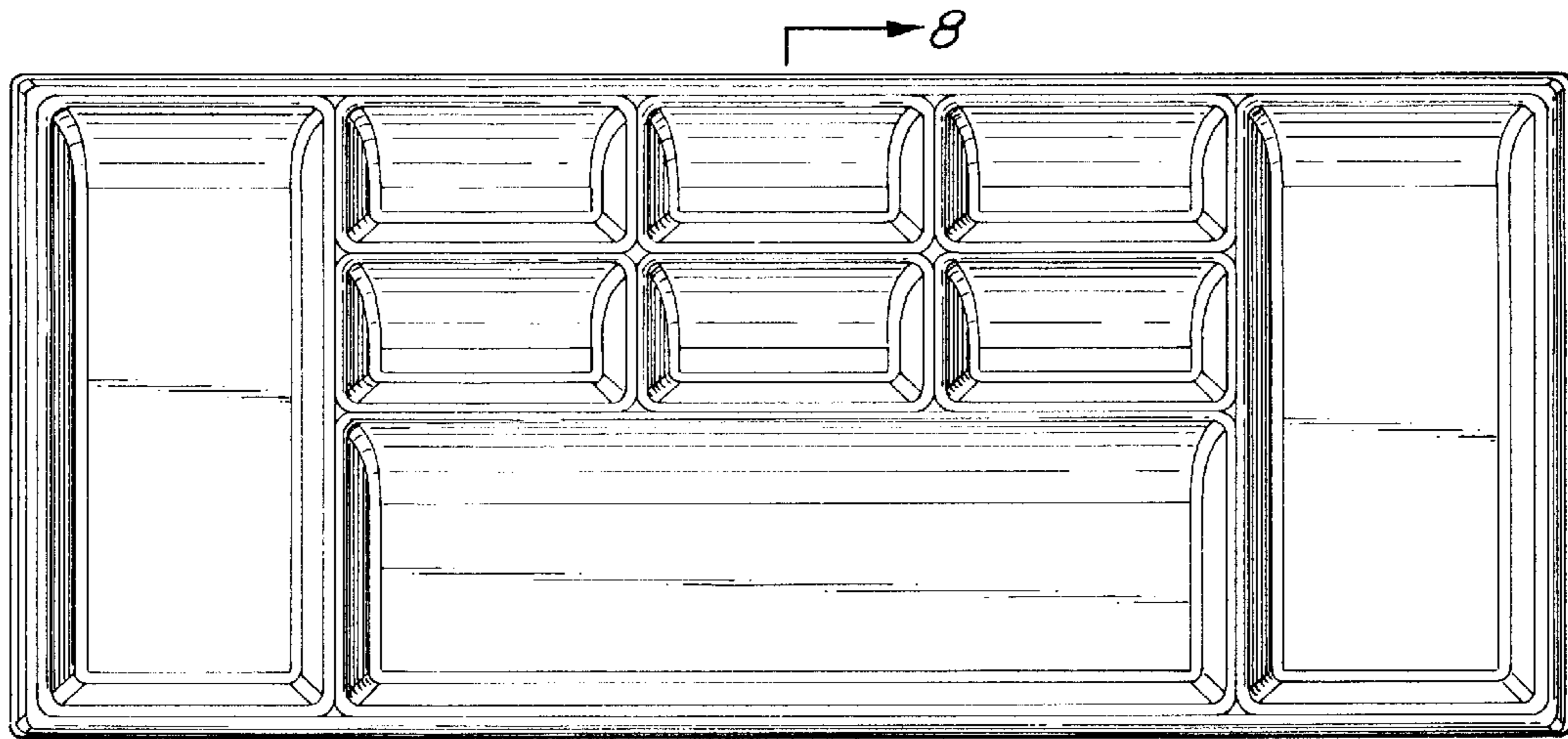


FIG. 5

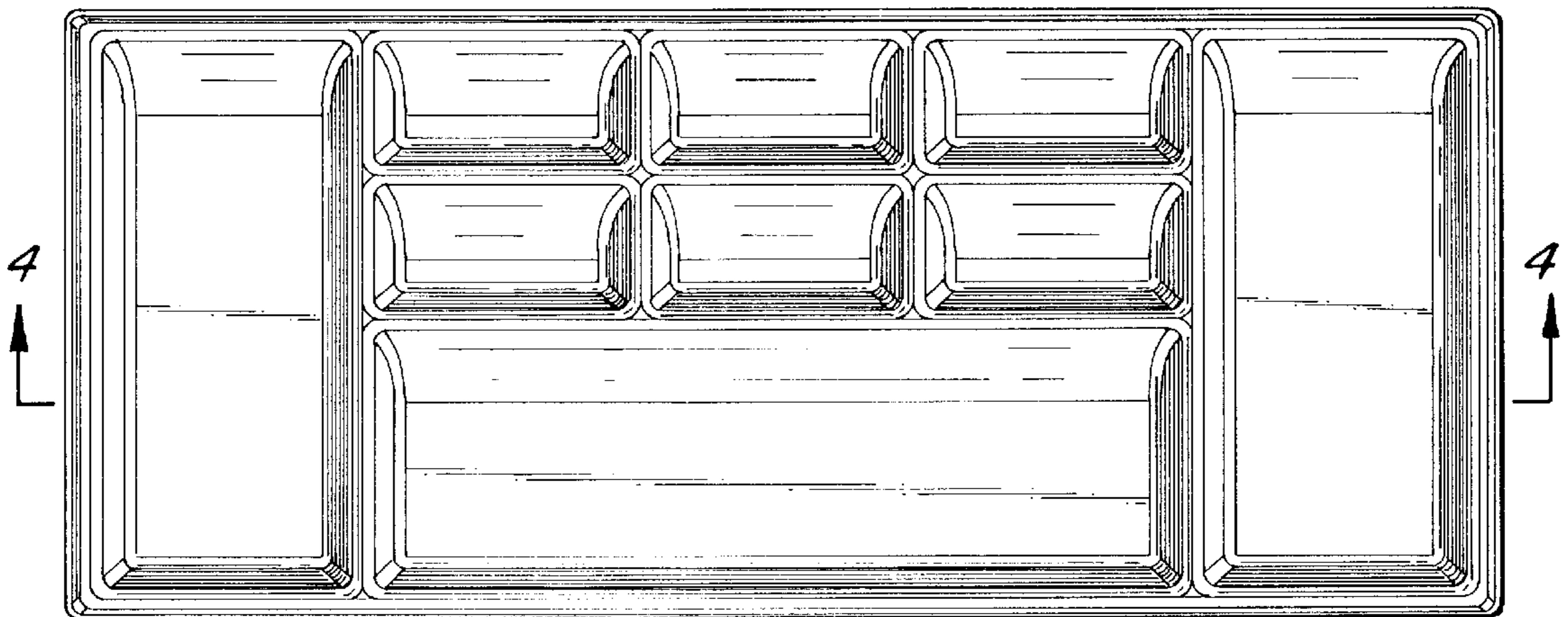


FIG. 6

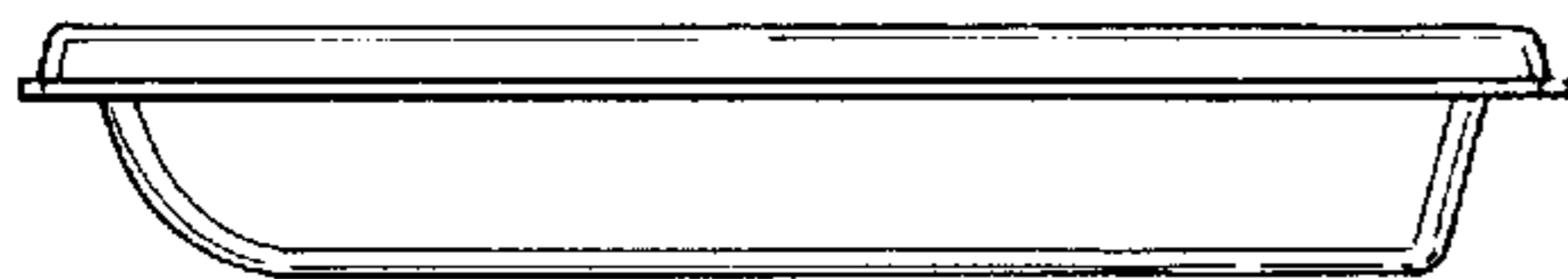


FIG. 7



FIG. 8