



US00D422140S

**United States Patent** [19]  
**Chen**

[11] **Patent Number: Des. 422,140**

[45] **Date of Patent: \*\* Apr. 4, 2000**

[54] **BASKET (I)**  
[76] Inventor: **Kuo-Chin Chen**, 2-1 FL., No. 18,  
Alley 47, Lane 208, Jui An Street, Ta An  
District, Taipei, Taiwan

1,788,724 1/1931 Libera ..... 220/485  
2,237,361 4/1941 Poynter ..... 206/562  
3,013,758 12/1961 Smith ..... 220/485  
4,836,392 6/1989 Constantino ..... 220/485

[\*\*] Term: **14 Years**

*Primary Examiner*—Louis S. Zarfes  
*Assistant Examiner*—Monica A. Weingart  
*Attorney, Agent, or Firm*—Pro-Techtor International  
Services

[21] Appl. No.: **29/093,991**

[22] Filed: **Sep. 23, 1998**

[57] **CLAIM**

[51] **LOC (6) Cl.** ..... **03-01**

The ornamental design for a basket (I), as shown and described.

[52] **U.S. Cl.** ..... **D3/308; D3/201; D3/306;**  
D3/307

**DESCRIPTION**

[58] **Field of Search** ..... D3/201, 306, 307,  
D3/308; D11/143; 206/562, 386, 595, 596;  
220/6, 405

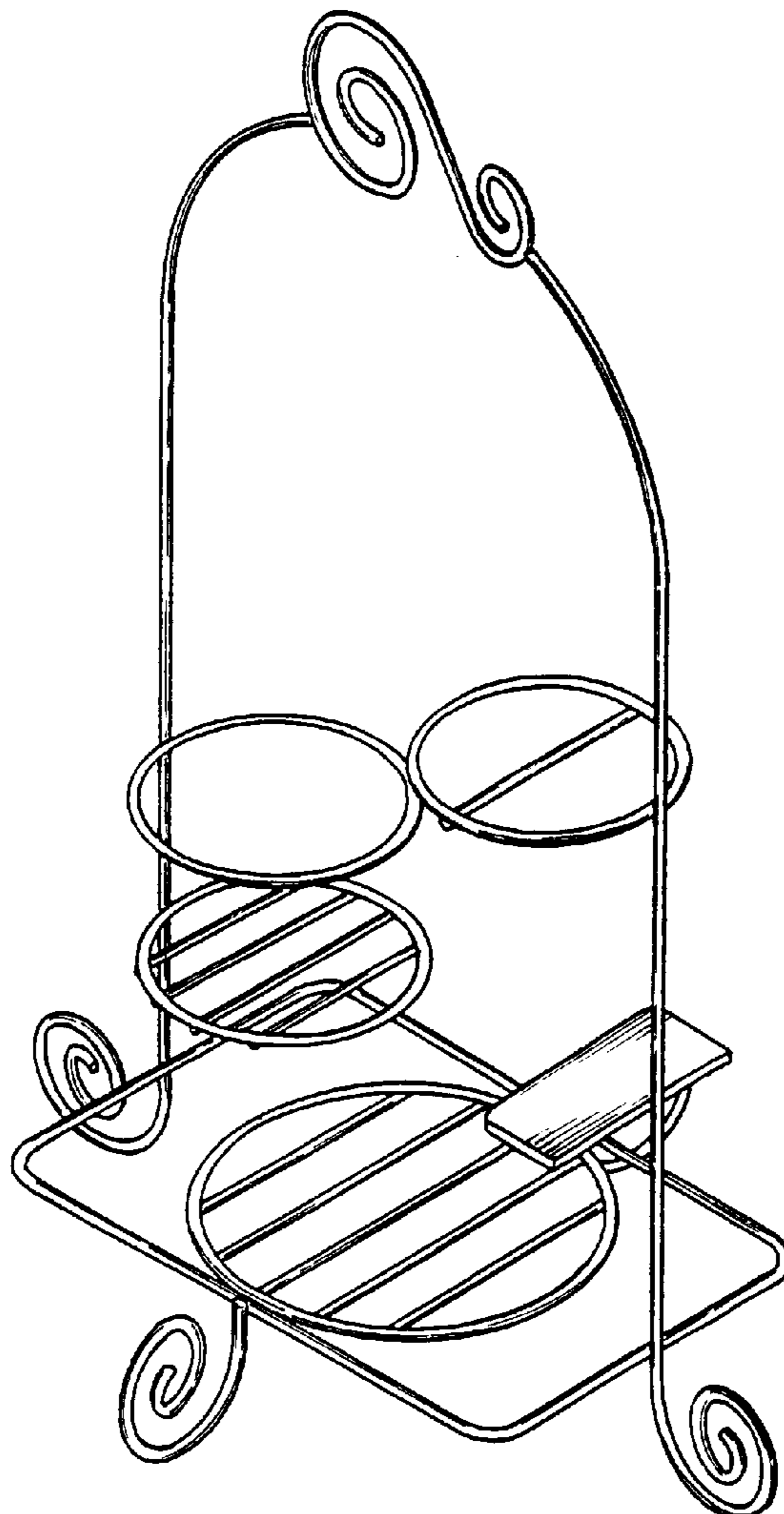
FIG. 1 is a front elevation of a basket (I) showing my design;  
FIG. 2 is a rear elevation thereof;  
FIG. 3 is a left side elevation thereof;  
FIG. 4 is a right side elevation thereof;  
FIG. 5 is a top plan view thereof;  
FIG. 6 is a bottom plan view thereof; and,  
FIG. 7 is a perspective view thereof.

[56] **References Cited**

**U.S. PATENT DOCUMENTS**

D. 124,303 12/1940 Cheatham ..... D11/143  
462,361 11/1891 Miller ..... 220/485  
1,091,907 3/1914 Benners ..... 220/485

**1 Claim, 4 Drawing Sheets**



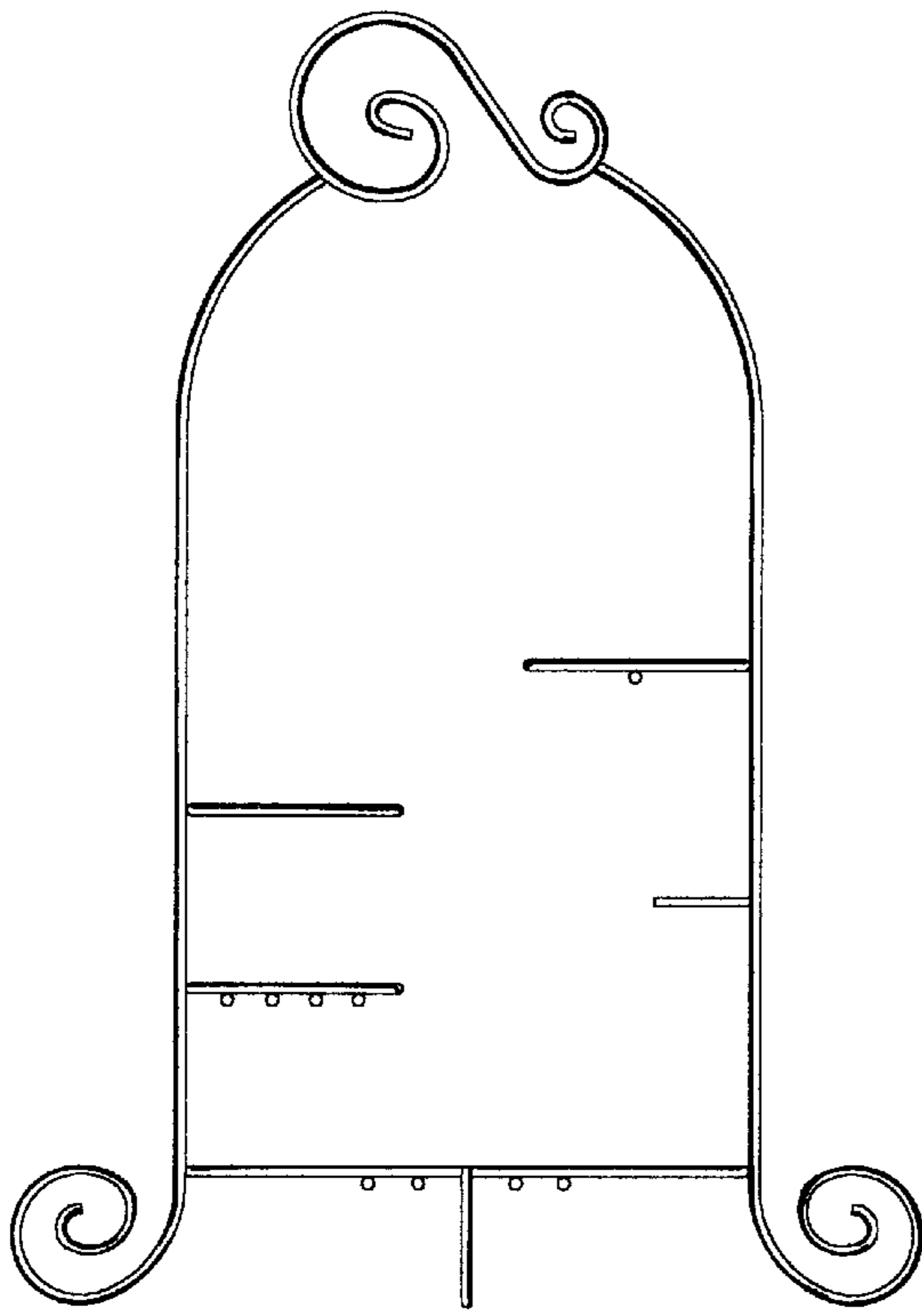


FIG. 1

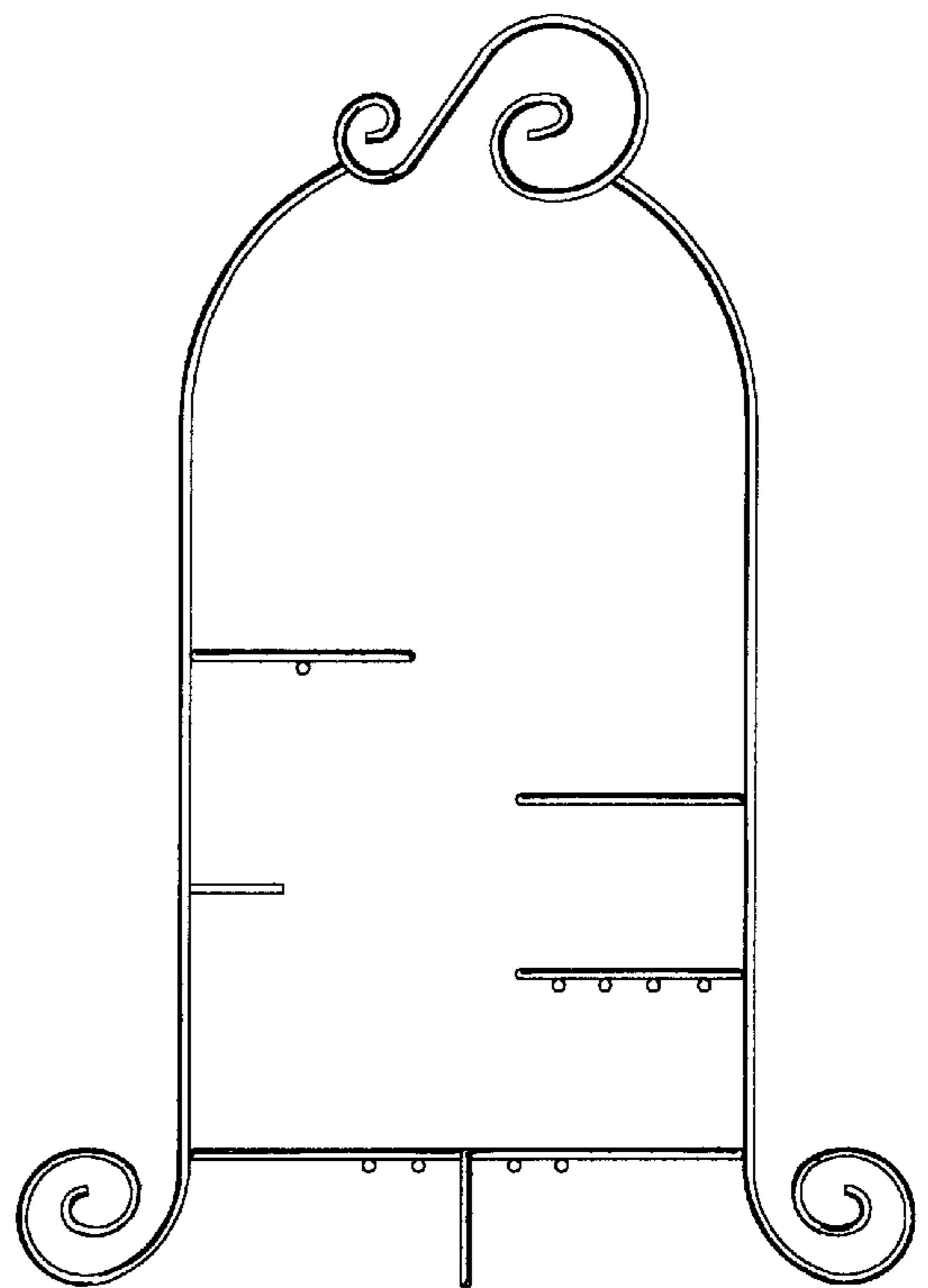


FIG. 2

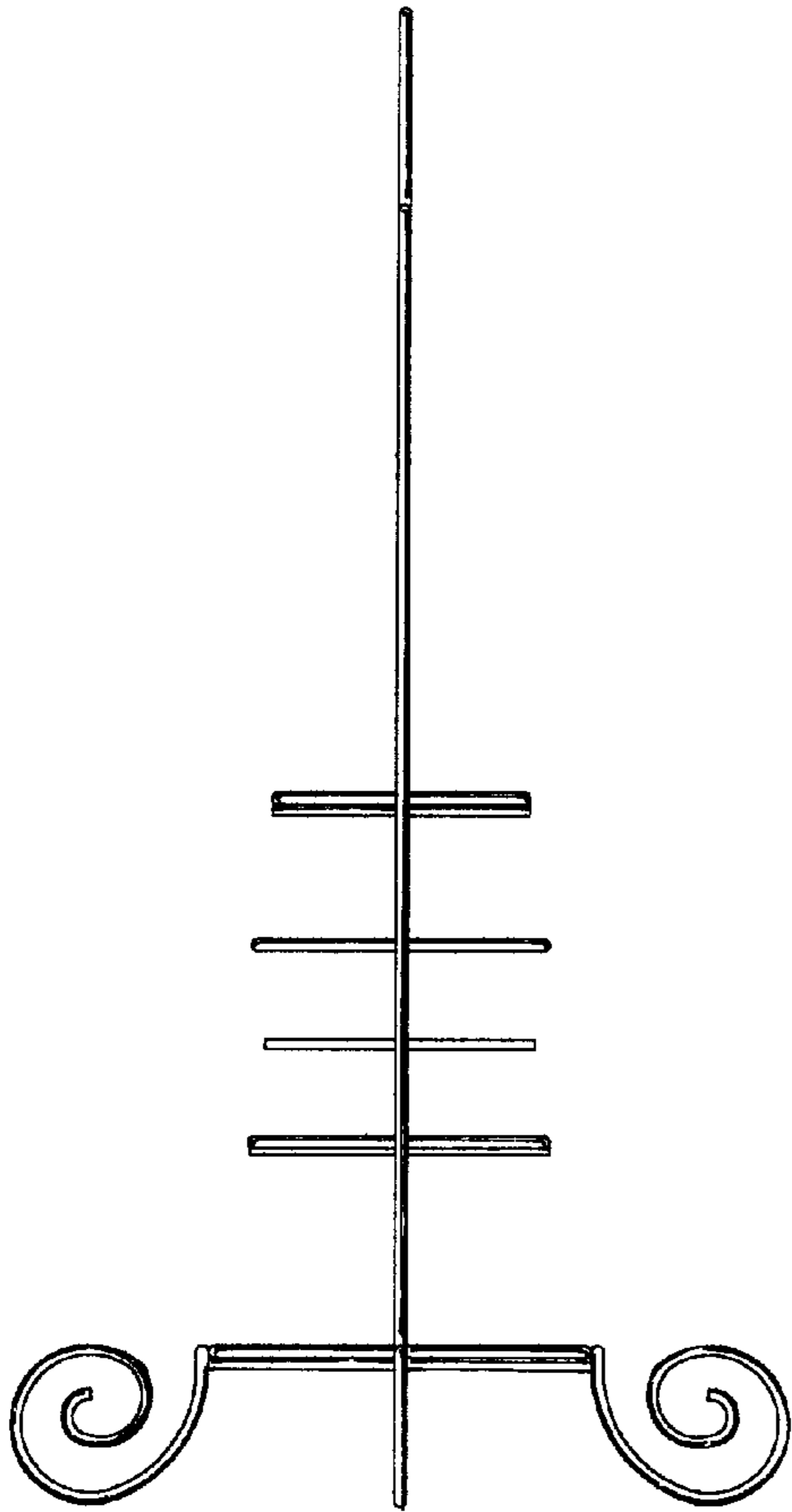


FIG. 3

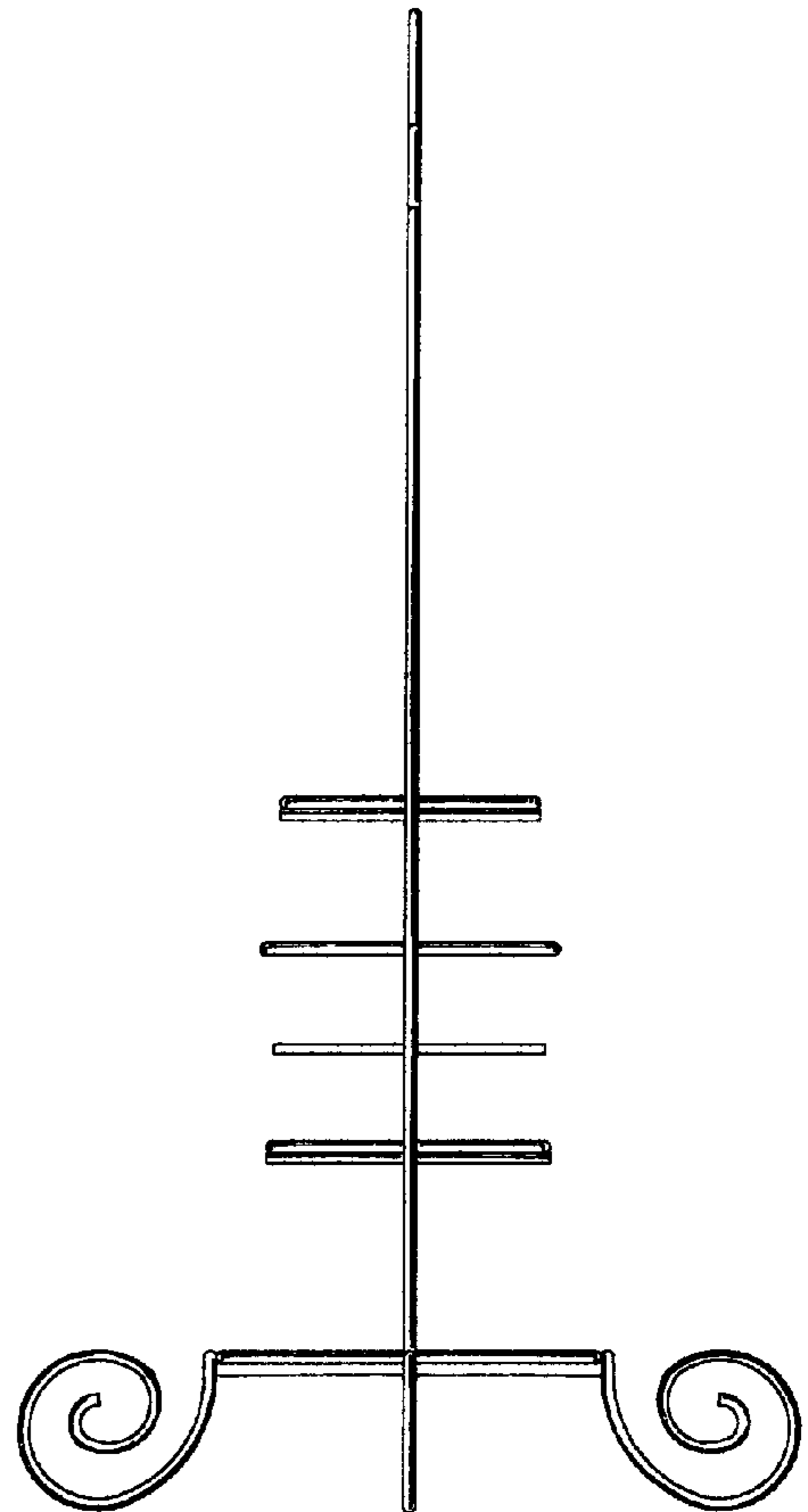


FIG. 4

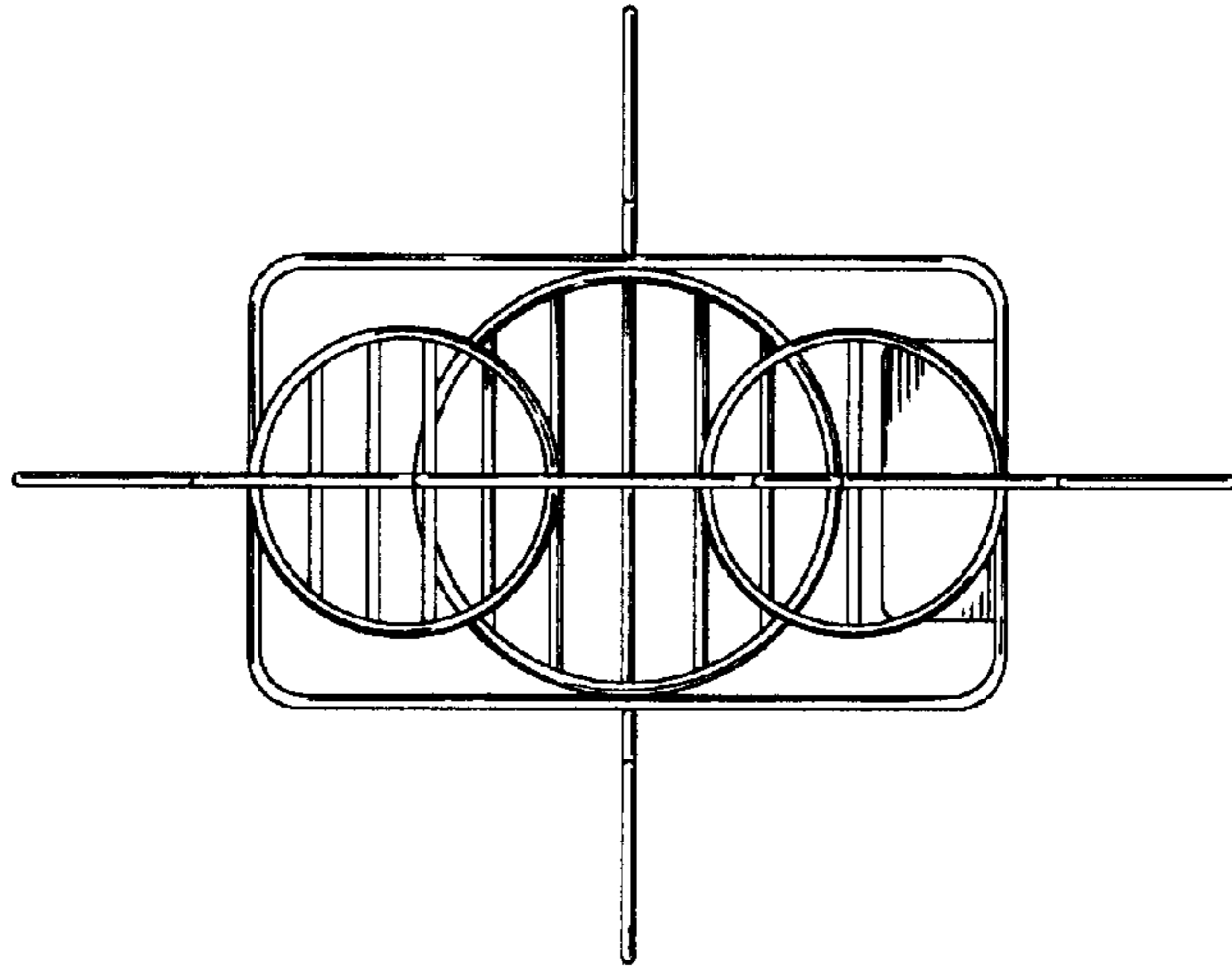


FIG. 5

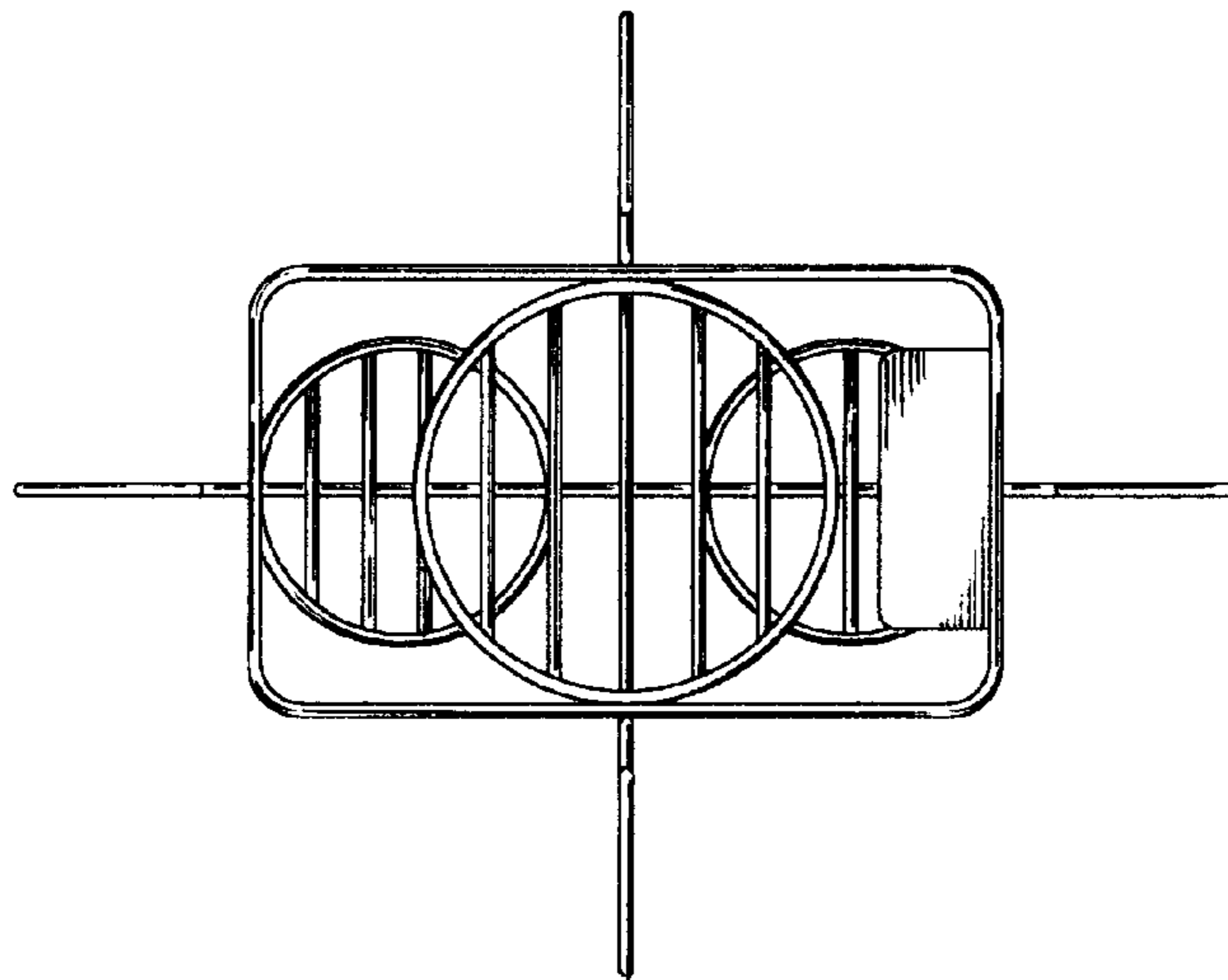


FIG. 6

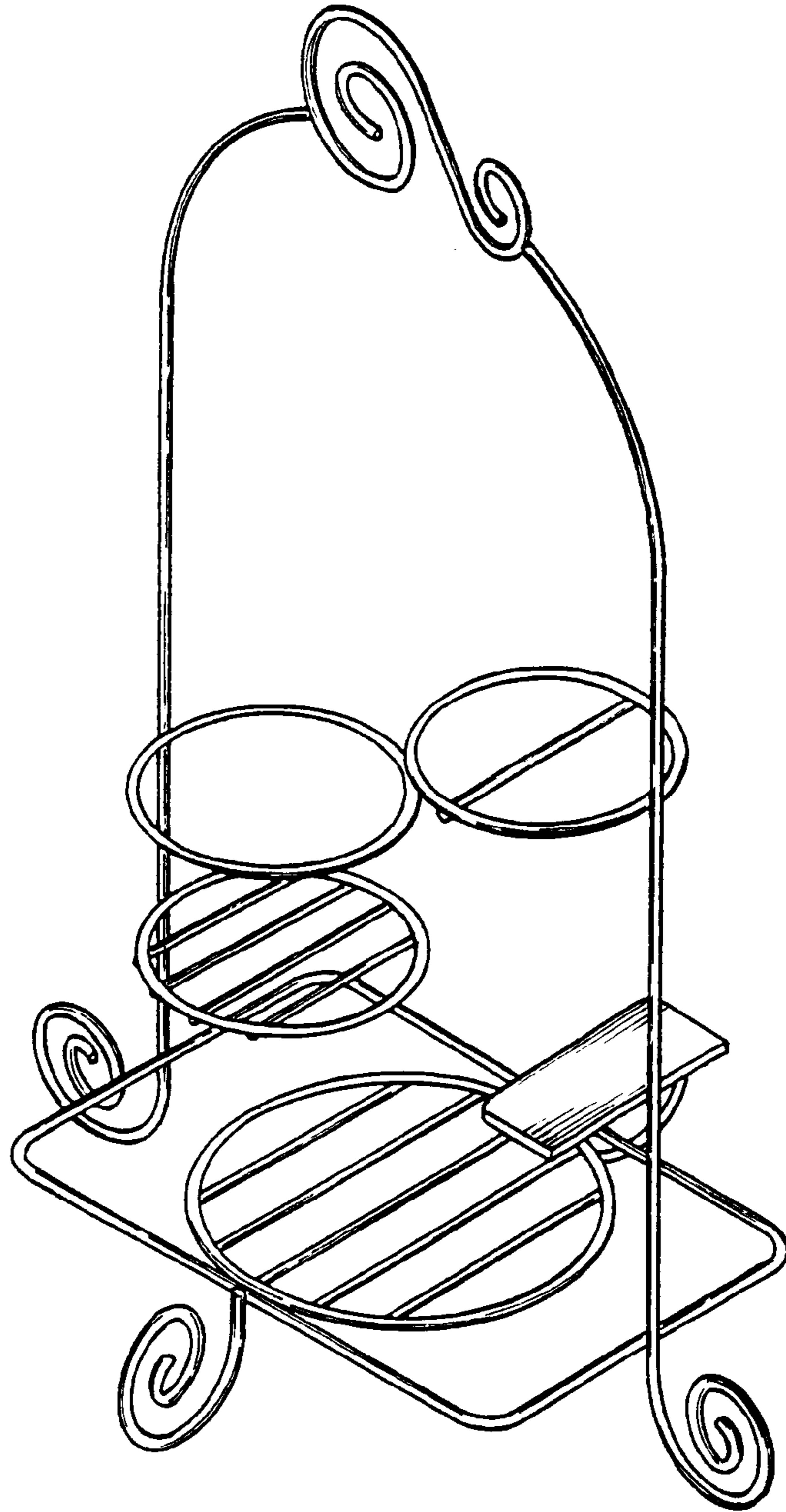


FIG. 7