



US00D422138S

United States Patent [19] Loeff

[11] **Patent Number: Des. 422,138**
[45] **Date of Patent: ** Apr. 4, 2000**

[54] **SECURITY CONTAINER**
[76] Inventor: **Thomas Loeff**, 7339 E. Acoma, Suite #7, Scottsdale, Ariz. 85260
[**] Term: **14 Years**
[21] Appl. No.: **29/106,456**
[22] Filed: **Jun. 17, 1999**

5,161,396 11/1992 Loeff 70/63
5,168,994 12/1992 Beletsky et al. 206/317
5,344,010 9/1994 Dyer et al. 206/317
5,579,909 12/1996 Deal 206/317
5,850,796 12/1998 Cislo 70/63 X

Primary Examiner—Ruth McInroy
Assistant Examiner—Catherine R Oliver
Attorney, Agent, or Firm—H. Jay Spiegel

Related U.S. Application Data

[62] Division of application No. 29/083,529, Feb. 11, 1998.
[51] **LOC (6) Cl.** **03-01**
[52] **U.S. Cl.** **D3/262**
[58] **Field of Search** D3/262, 254, 904,
D3/273, 276; 206/317, 1.5; 224/912, 913;
70/63, 416, 456 R; 109/51, 52

[57] CLAIM

The ornamental design for a security container, as shown and described.

DESCRIPTION

FIG. 1 shows a perspective view of a security container showing my new design;
FIG. 2 shows a top view of my claimed design.
FIG. 3 shows a front view of my claimed design.
FIG. 4 shows a rear view of my claimed design.
FIG. 5 shows a right side view of my claimed design.
FIG. 6 shows a left side view of my claimed design; and,
FIG. 7 shows a bottom view of my claimed design.

[56] References Cited

U.S. PATENT DOCUMENTS

D. 314,273 2/1991 Minneman D3/262
D. 362,116 9/1995 Bellington et al. D3/262
4,187,703 2/1980 Ippoliti et al. 70/63

1 Claim, 2 Drawing Sheets

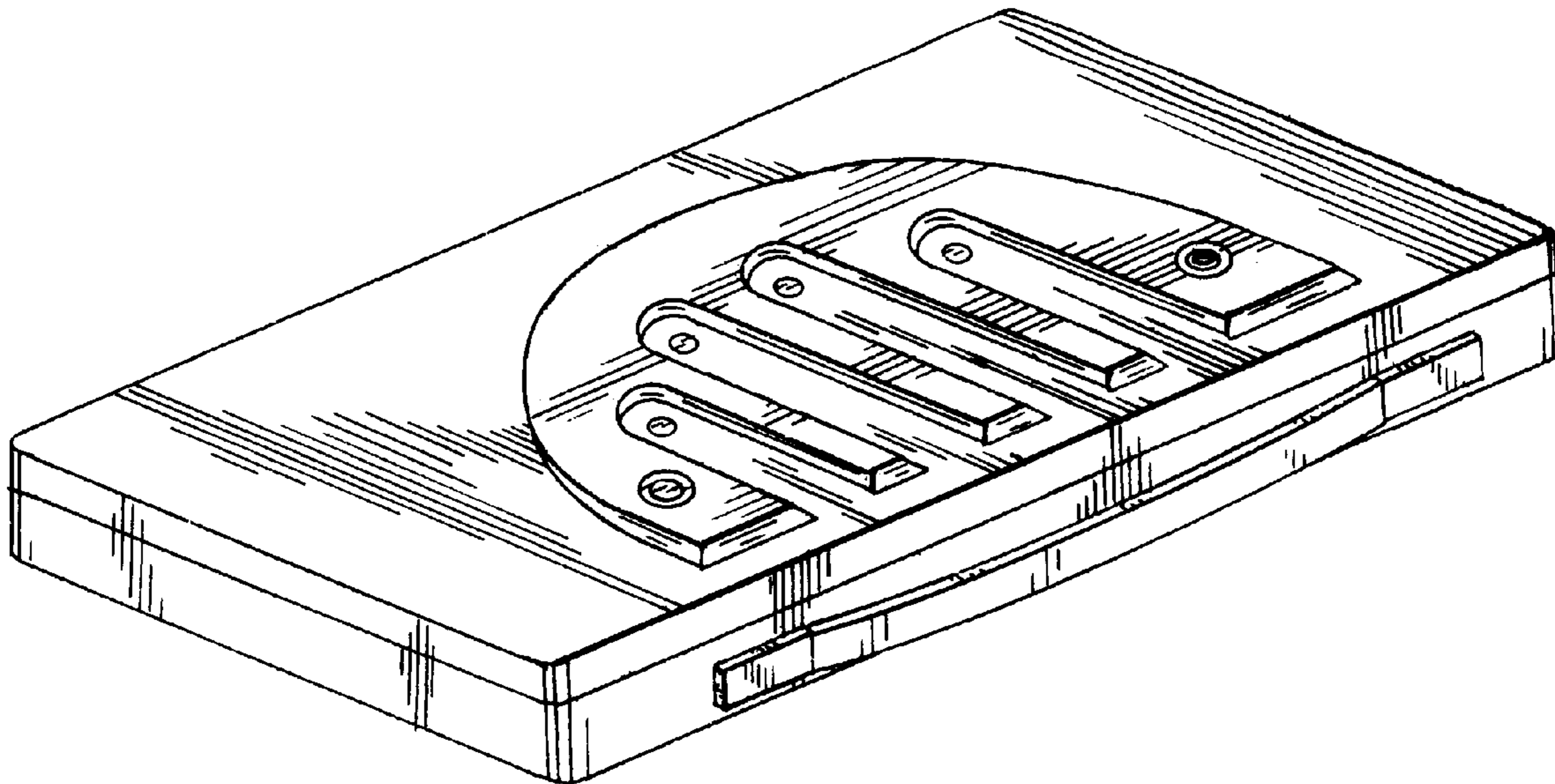


FIG. 1

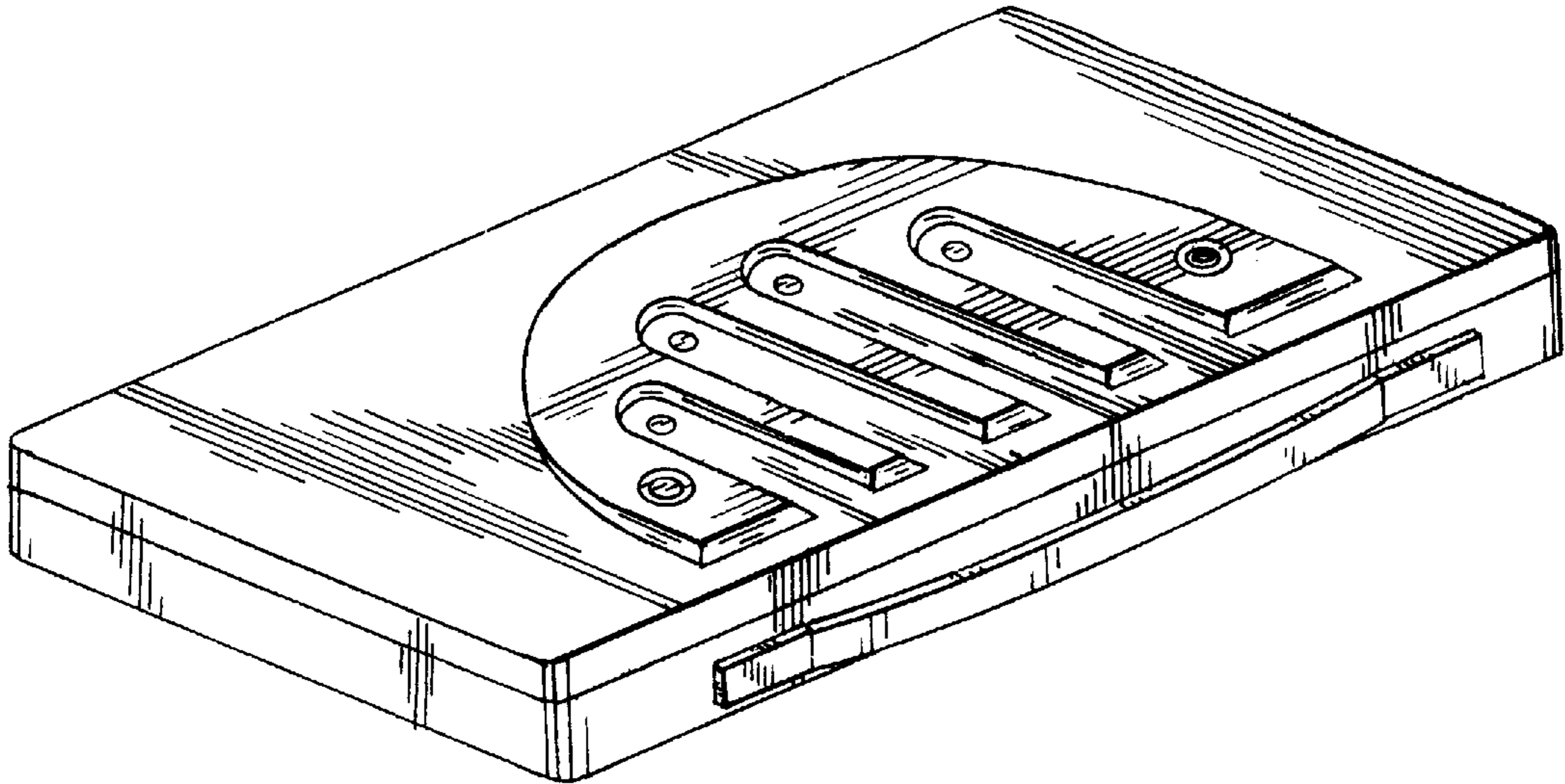


FIG. 2

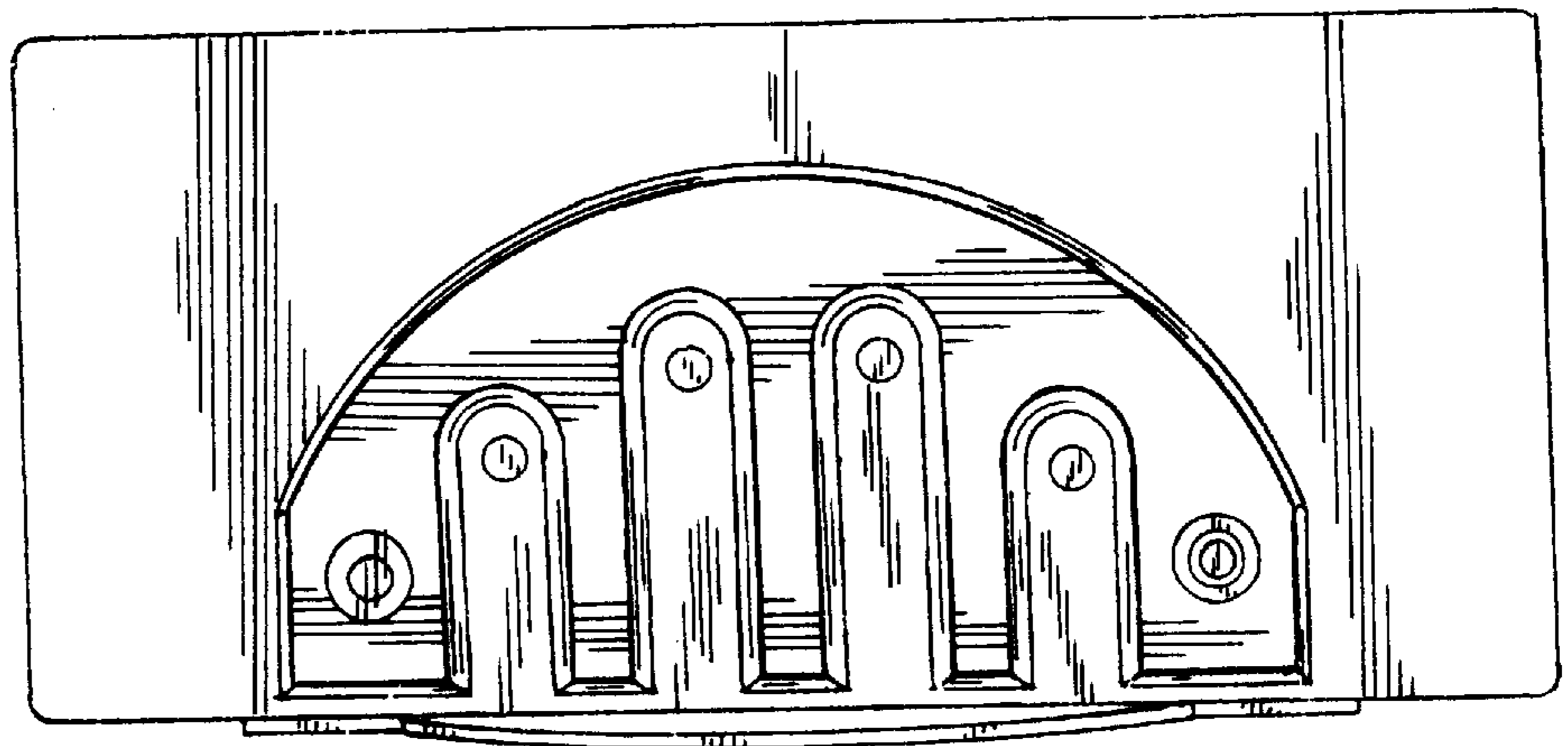


FIG. 3

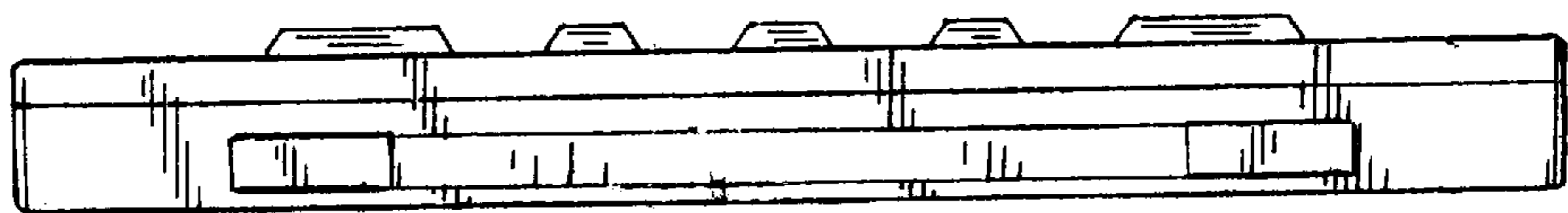


FIG. 4



FIG. 5

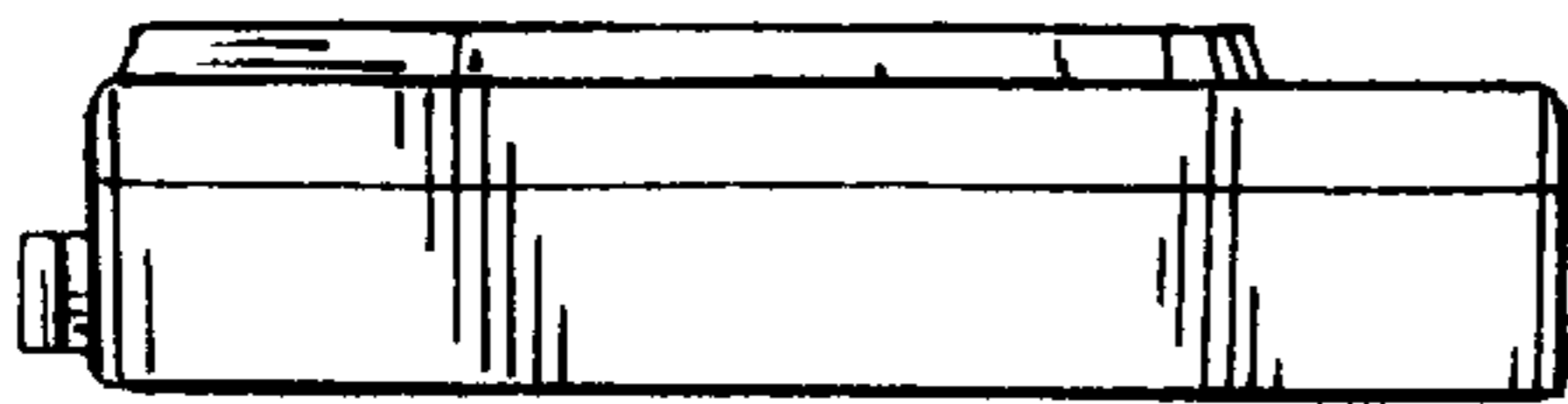


FIG. 6

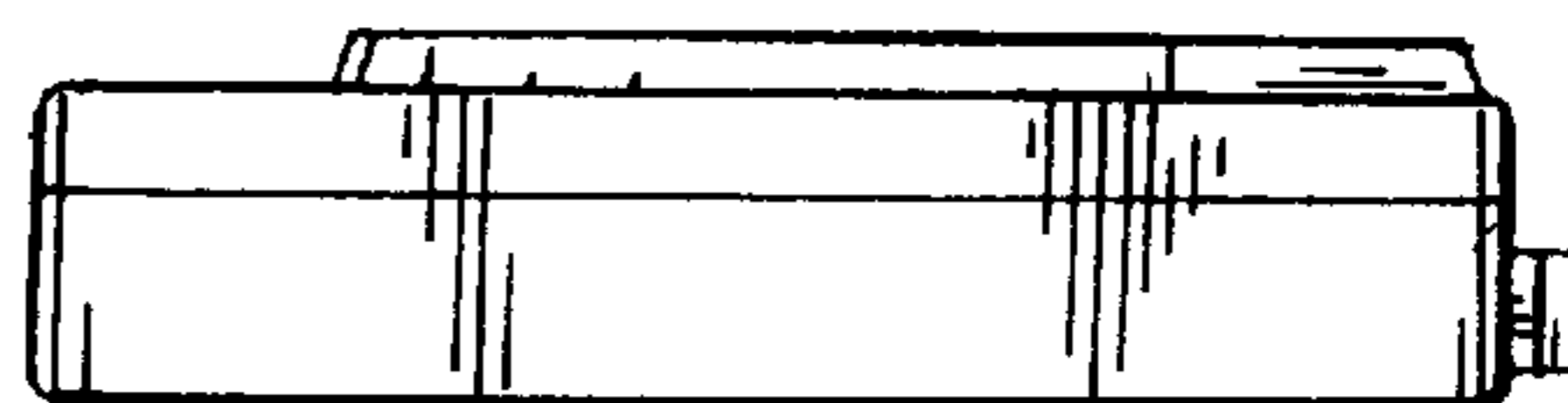


FIG. 7

