



US00D422136S

United States Patent [19]

Barrick, V

[11] Patent Number: Des. 422,136

[45] Date of Patent: ** *Apr. 4, 2000

[54] KEY FOB

[76] Inventor: William W Barrick, V, 173 Santa Ana, Long Beach, Calif. 90803

[*] Notice: This patent is subject to a terminal disclaimer.

[**] Term: 14 Years

[21] Appl. No.: 29/065,716

[22] Filed: Mar. 11, 1996

[51] LOC (6) Cl. 03-01

[52] U.S. Cl. D3/211

[58] Field of Search D3/207-221; D11/43, D11/44, 79, 81; 70/456 R

[56] References Cited

U.S. PATENT DOCUMENTS

D. 307,980 5/1990 Walters D3/211

D. 308,996 7/1990 Katz D21/229
D. 311,451 10/1990 Chan D3/211
D. 314,601 2/1991 Floreani D21/229
D. 326,040 5/1992 Wysopal D3/210

Primary Examiner—Ralf Seifert

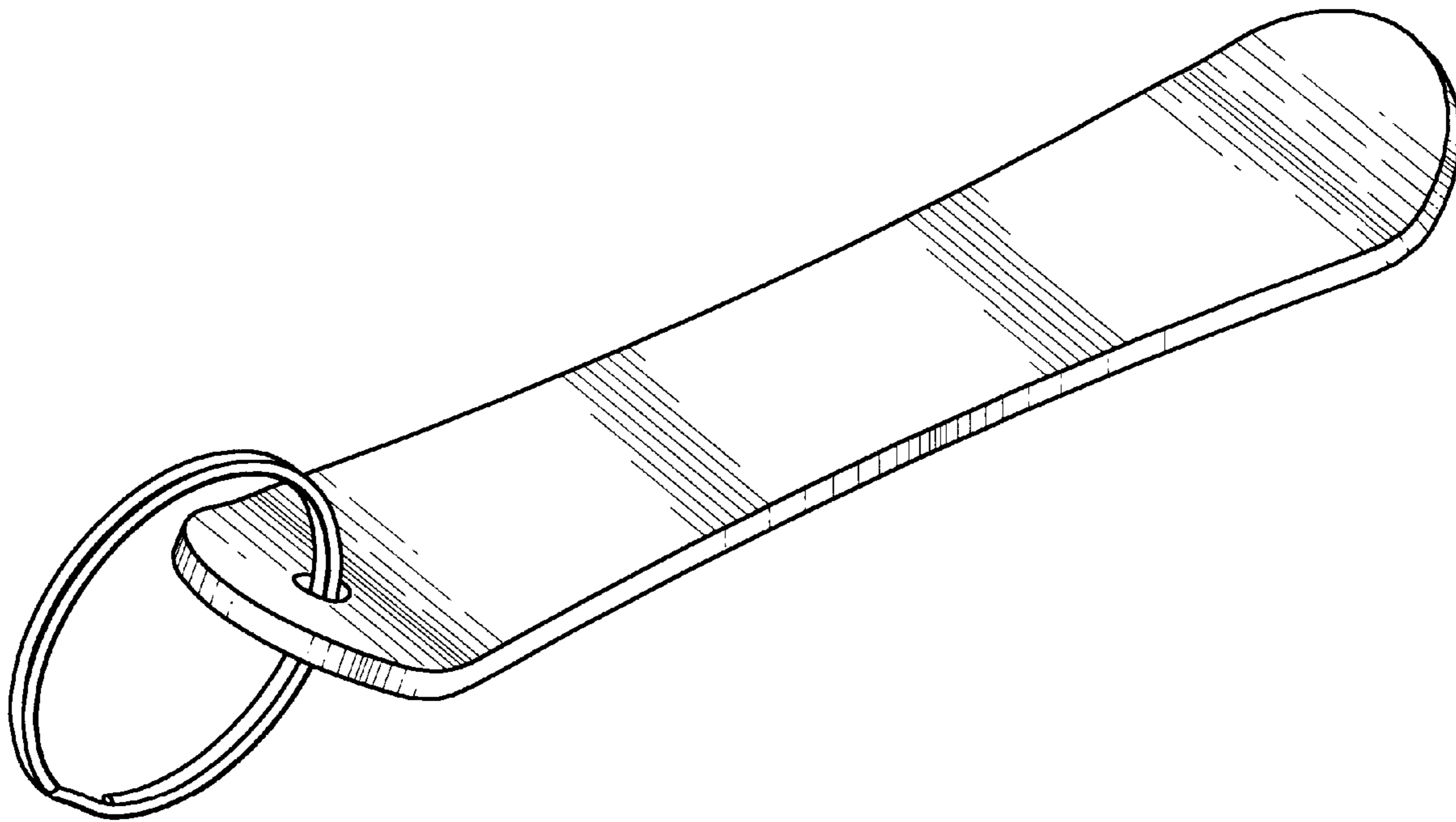
[57] CLAIM

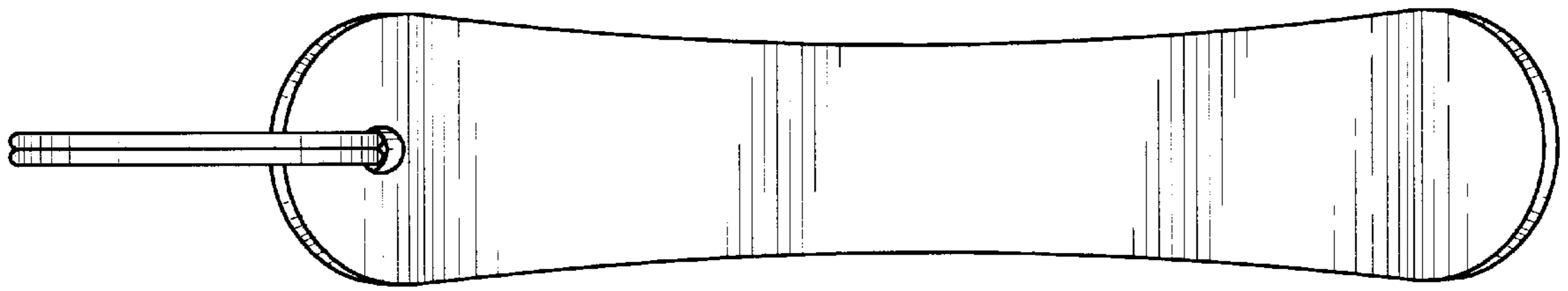
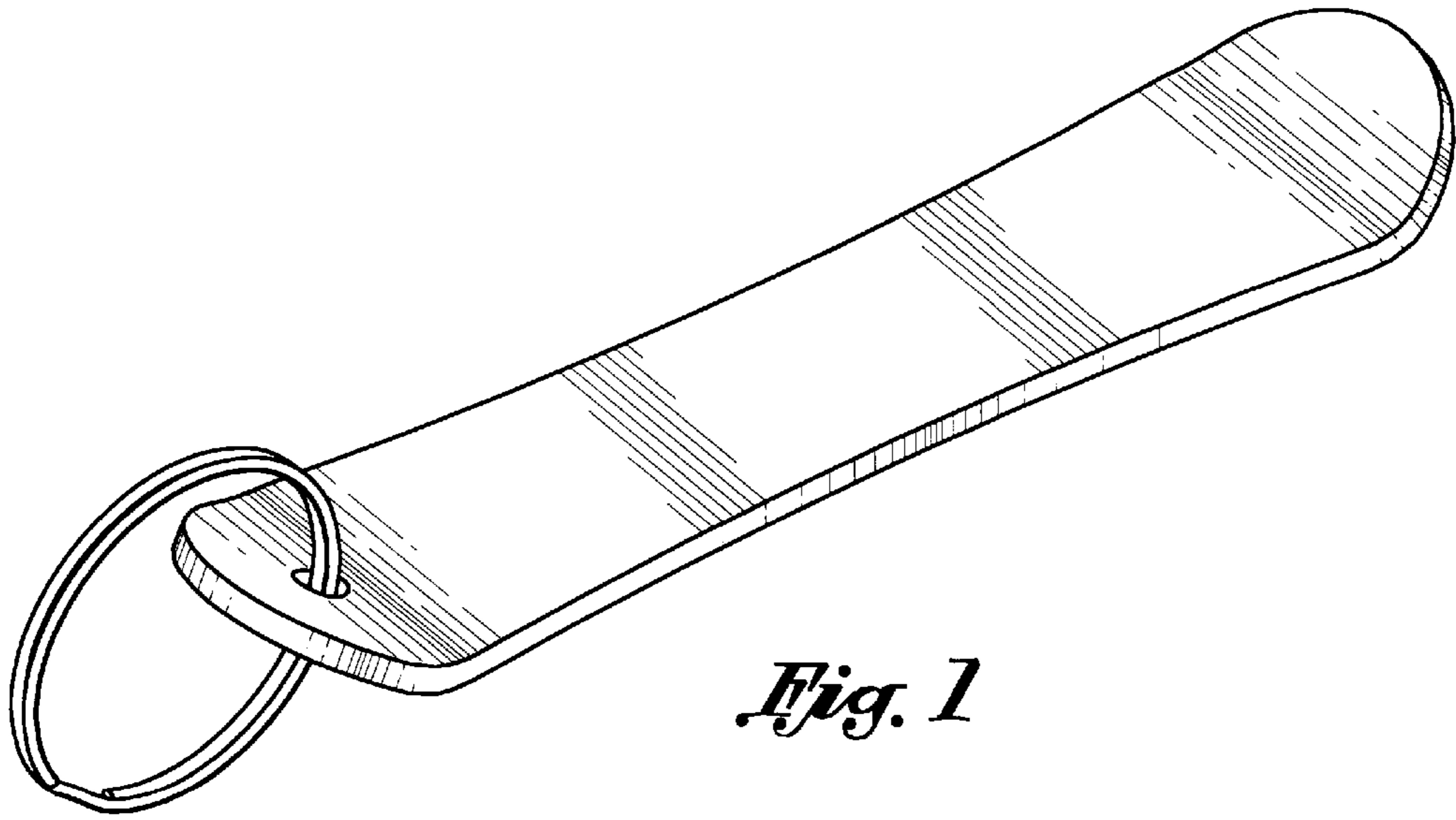
The ornamental design for a key fob, as shown and described.

DESCRIPTION

FIG. 1 is a top, left side perspective view of a key fob, showing my new design.
FIG. 2 is a top plan view thereof.
FIG. 3 is a bottom view thereof.
FIG. 4 is a left side elevational view thereof, the opposite side being identical.
FIG. 5 is a front elevational view thereof; and,
FIG. 6 is a rear elevational view thereof.

1 Claim, 2 Drawing Sheets





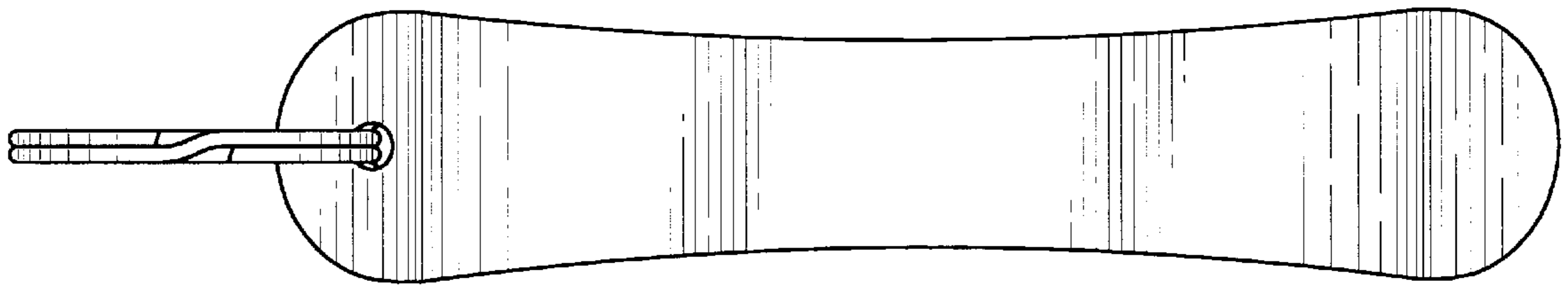


Fig. 3

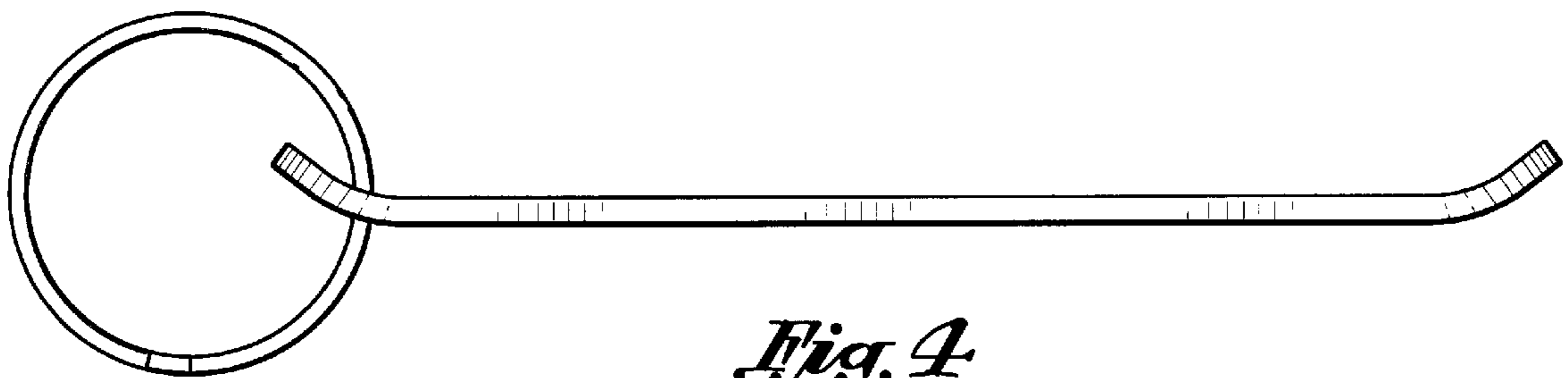


Fig. 4

Fig. 5

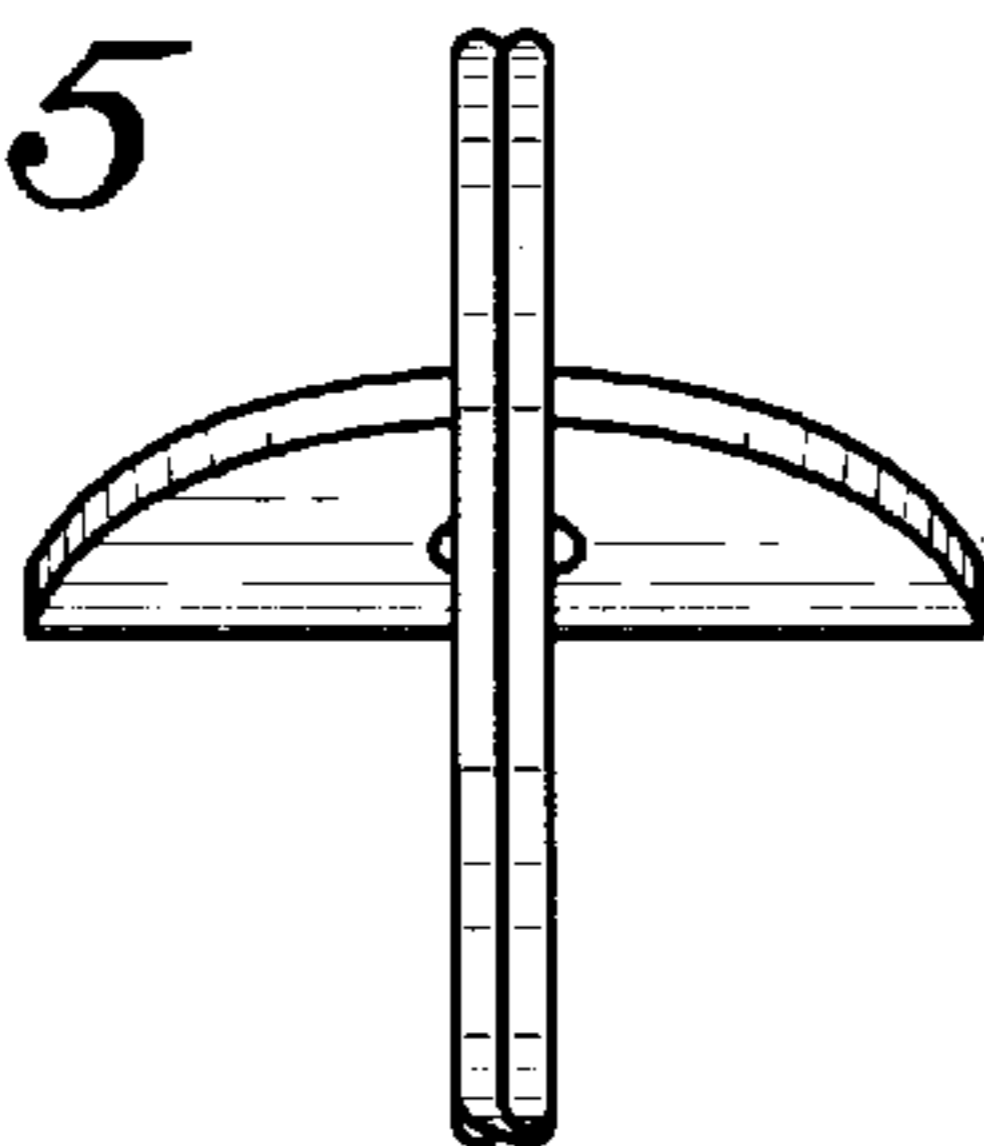


Fig. 6

