



US00D422135S

United States Patent [19] Man

[11] **Patent Number: Des. 422,135**

[45] **Date of Patent: ** Apr. 4, 2000**

[54] **BATTERY KEY CHAIN LIGHT**

[75] Inventor: **Wai Chi Man**, Jardin's Lookout, The Hong Kong Special Administrative Region of the People's Republic of China

[73] Assignee: **Stax Ltd.**, Kowloon, The Hong Kong Special Administrative Region of the People's Republic of China

[**] Term: **14 Years**

[21] Appl. No.: **29/104,648**

[22] Filed: **May 10, 1999**

[51] **LOC (6) Cl.** **03-01**

[52] **U.S. Cl.** **D3/209**

[58] **Field of Search** D3/207-211; D26/37, D26/46; 70/456 R; 24/3, 6

[56] **References Cited**

U.S. PATENT DOCUMENTS

- D. 111,535 9/1938 Florman D3/209
- D. 114,210 4/1939 Florman D3/209
- D. 156,228 11/1949 Gaudriot D3/208

- D. 211,399 6/1968 Martin D3/208
- D. 257,572 12/1980 Wefler D3/208
- D. 292,243 10/1987 O'Grady D3/209
- D. 404,155 1/1999 Maddox D3/209
- 3,968,669 7/1976 Coleman D3/207

Primary Examiner—Ralf Seifert
Attorney, Agent, or Firm—Ladas & Parry

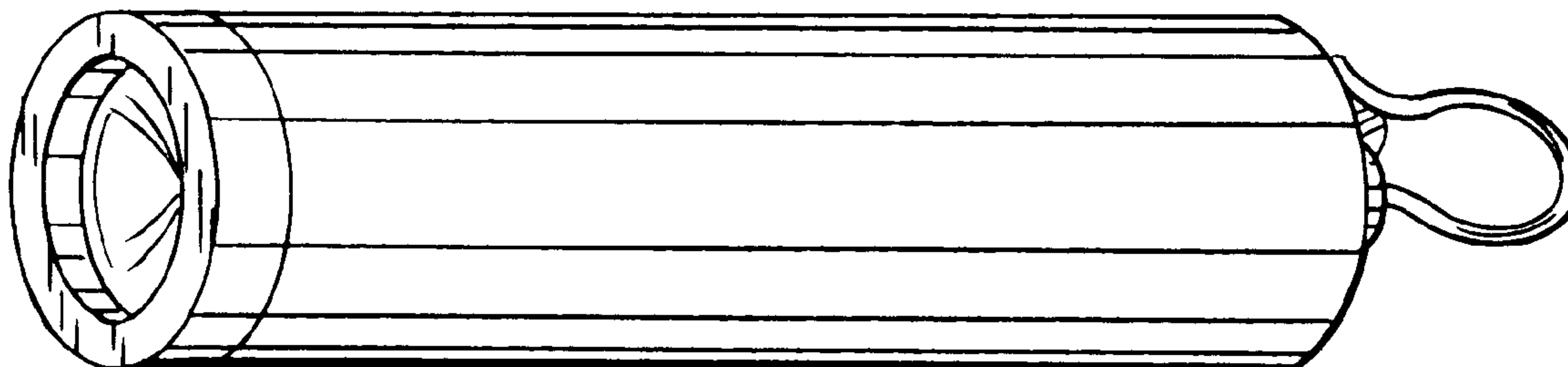
[57] **CLAIM**

The ornamental design for a battery key chain light, as shown.

DESCRIPTION

FIGS. 1-4 are perspective views of a battery key chain light showing my new design, and showing its key chain ring in various positions, including a tucked away position (FIG. 3); FIG. 5 is a front elevational view thereof; FIG. 6 is a rear elevational view thereof, with the key chain ring shown in its tucked away position; FIG. 7 is a right side elevational view thereof, with the key chain ring shown in an extended position, the left side elevational view being a mirror image thereof; FIG. 8 is the bottom view thereof; and, FIG. 9 is the top view thereof.

1 Claim, 2 Drawing Sheets



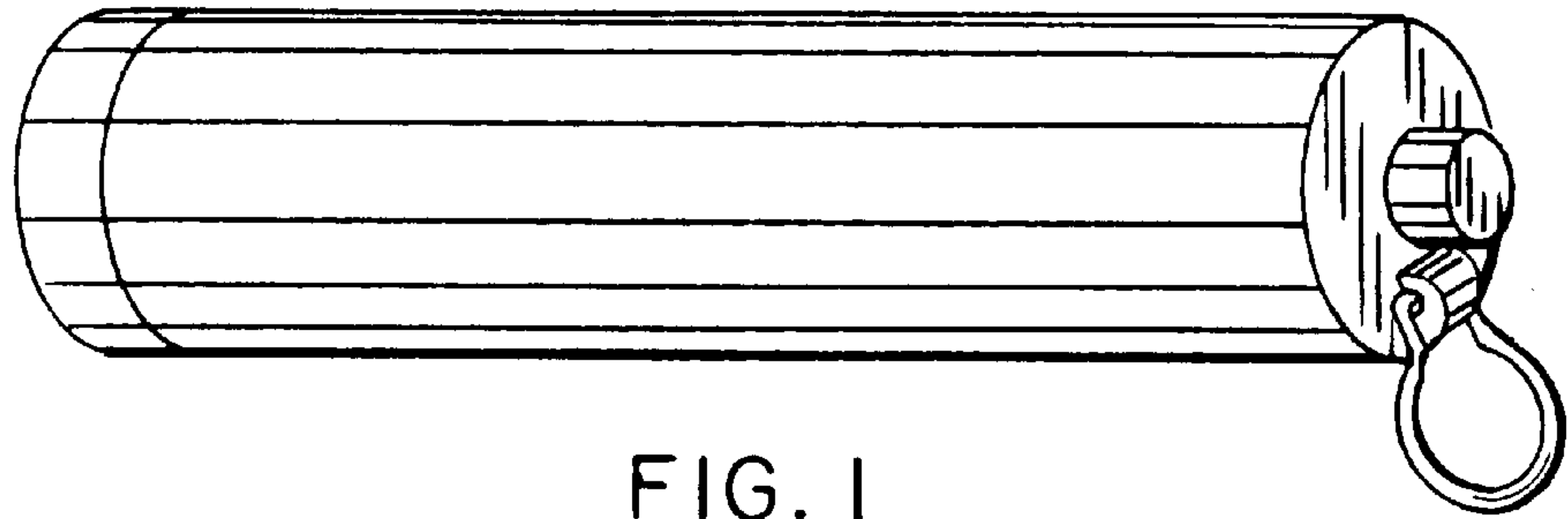


FIG. 1

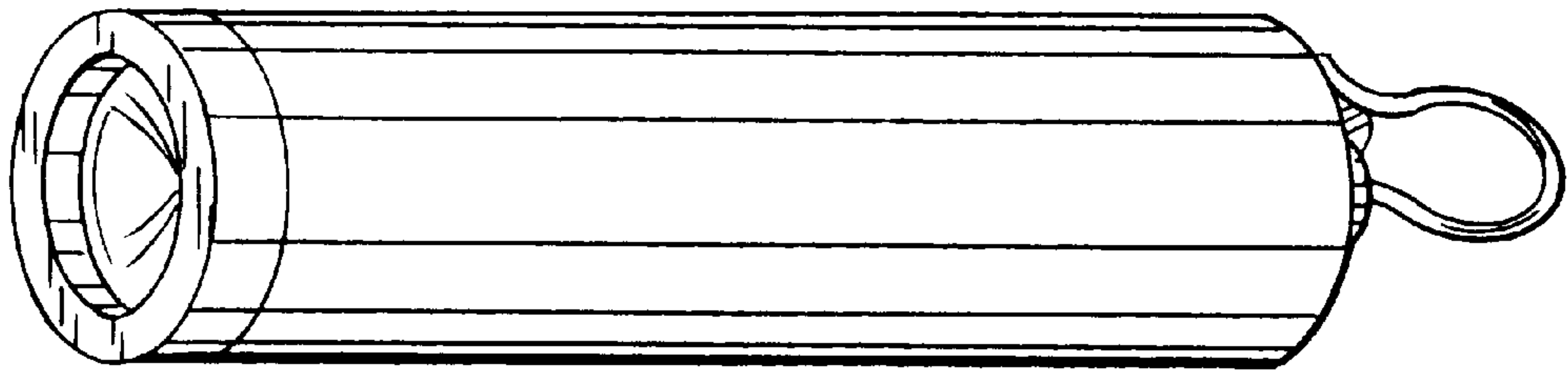


FIG. 2

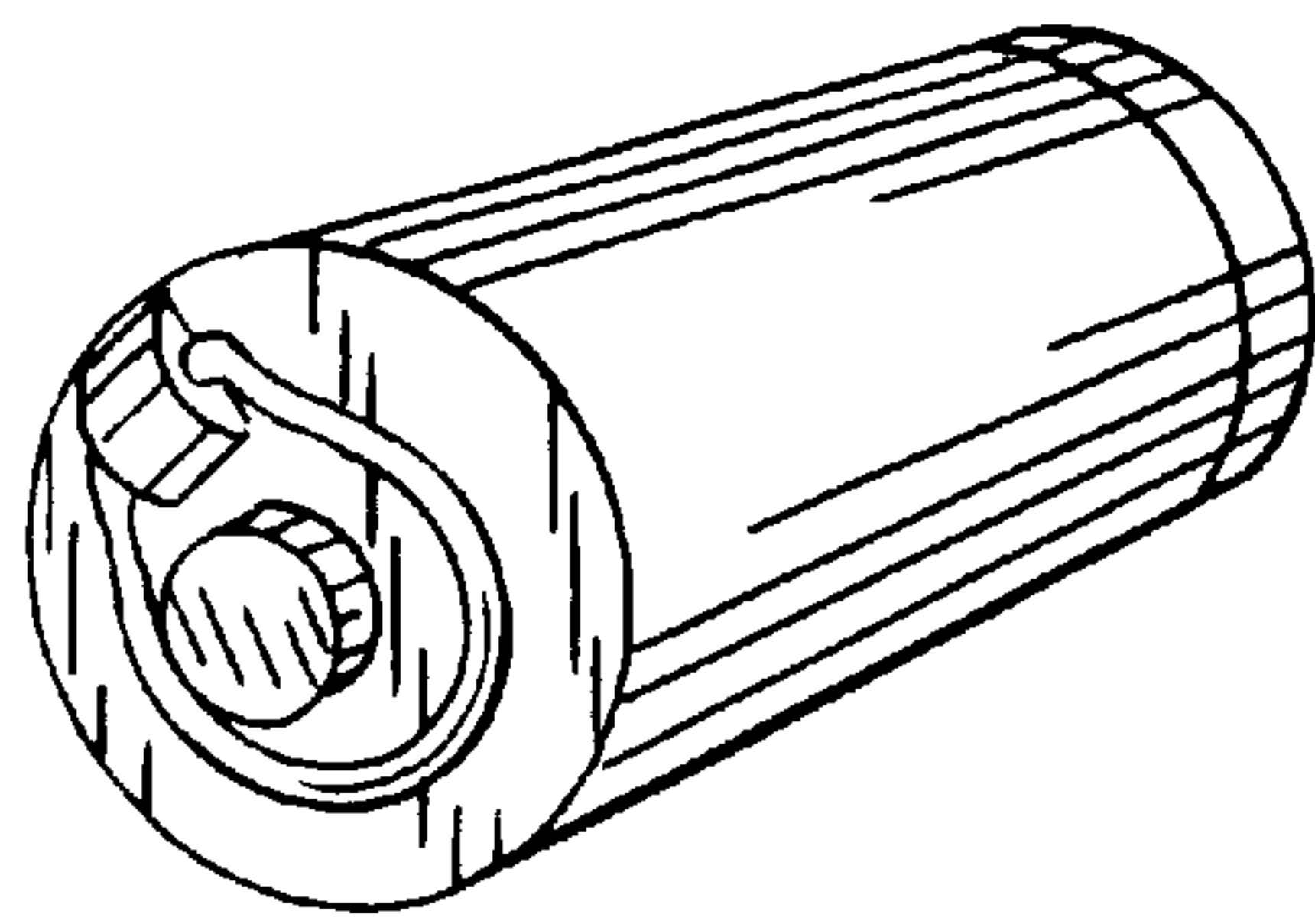


FIG. 3

FIG. 4

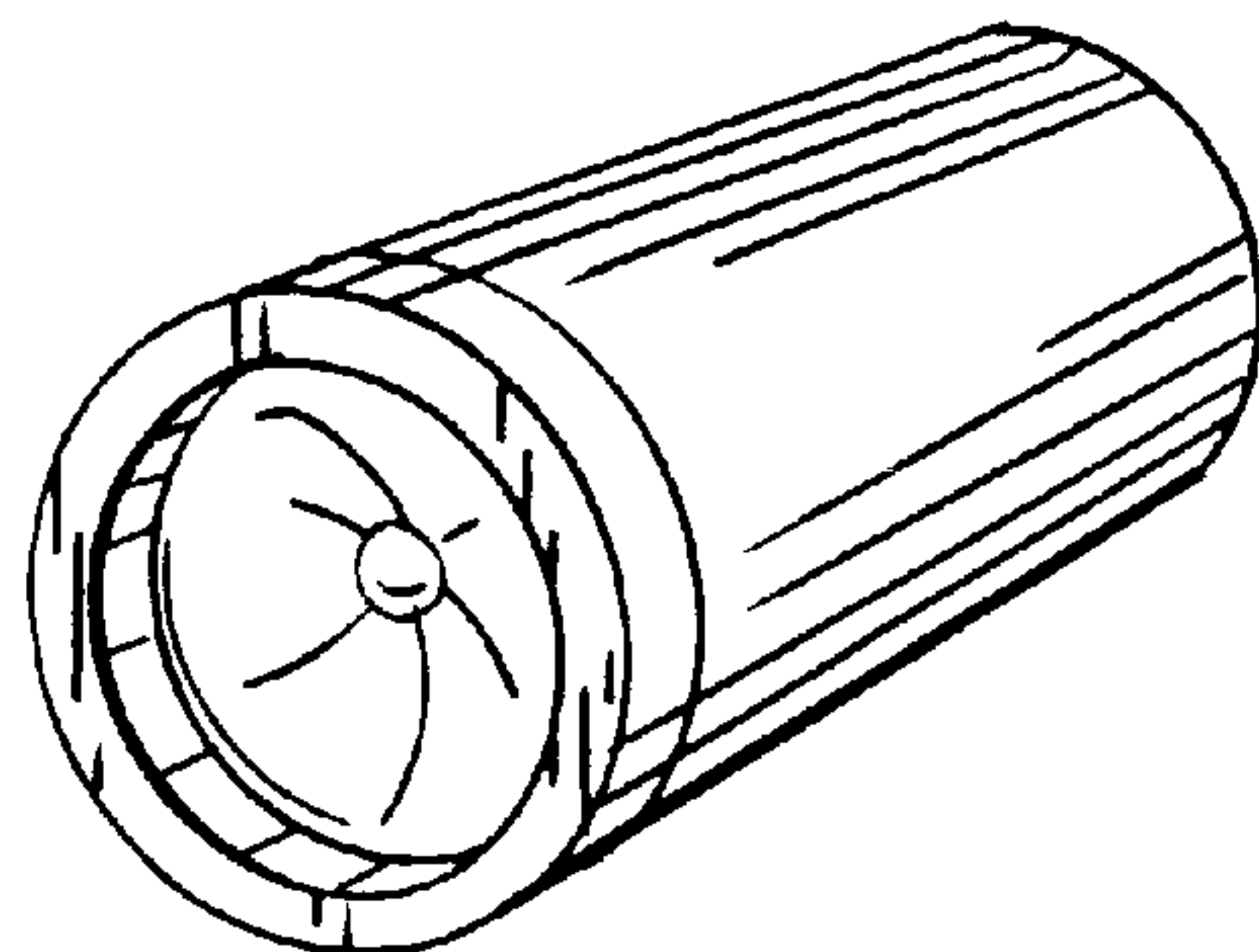


FIG. 5

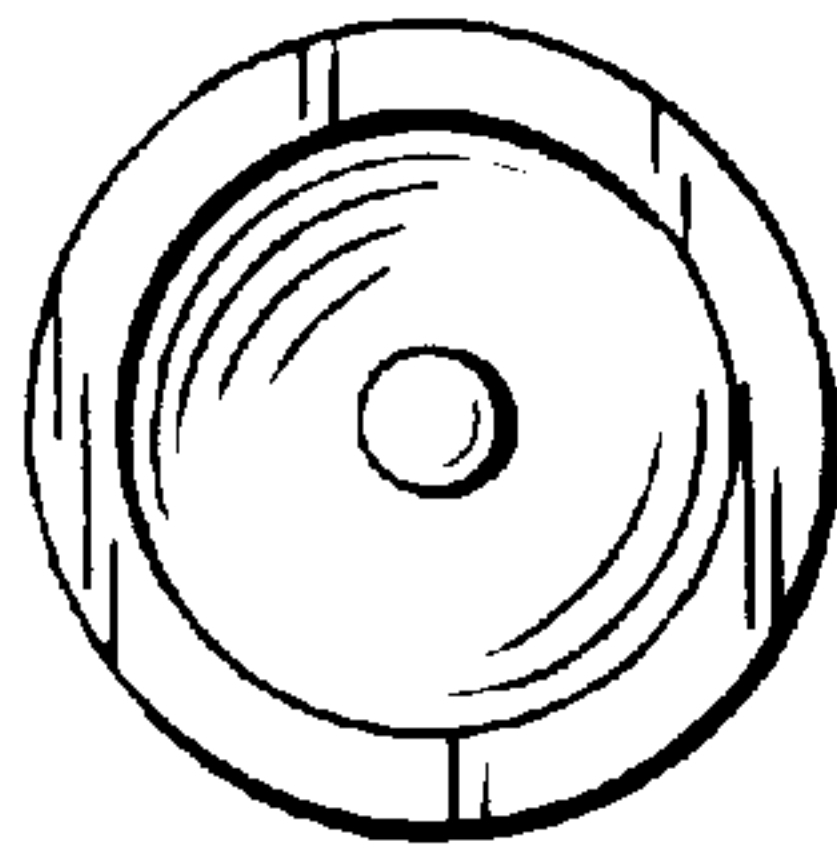


FIG. 6

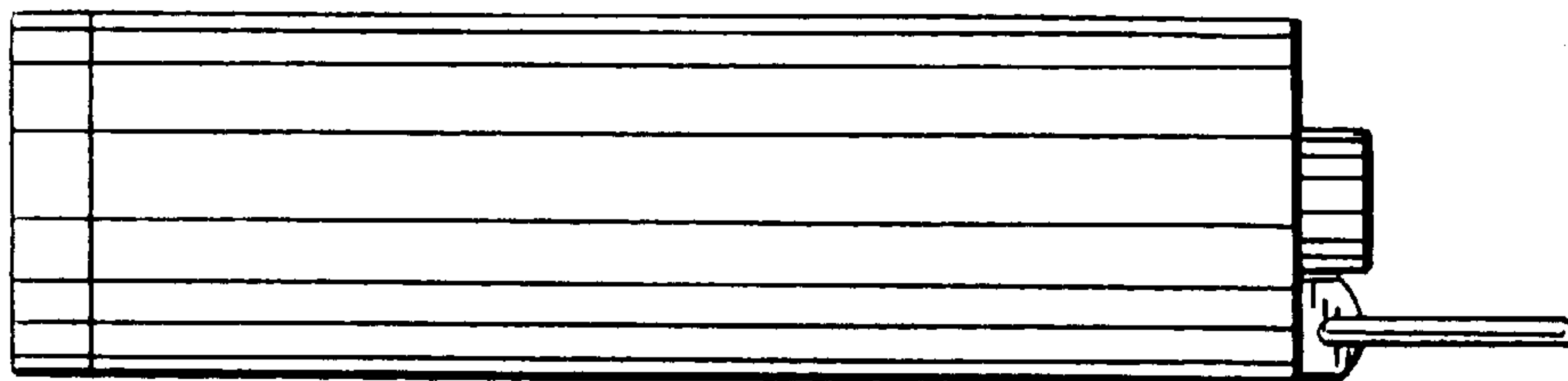
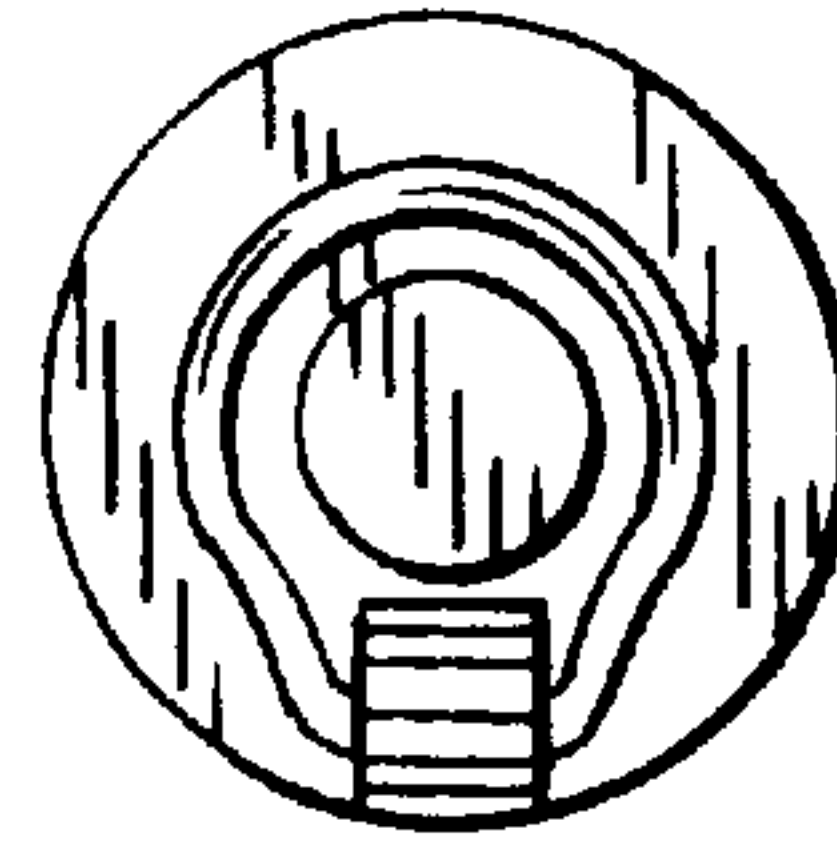


FIG. 7

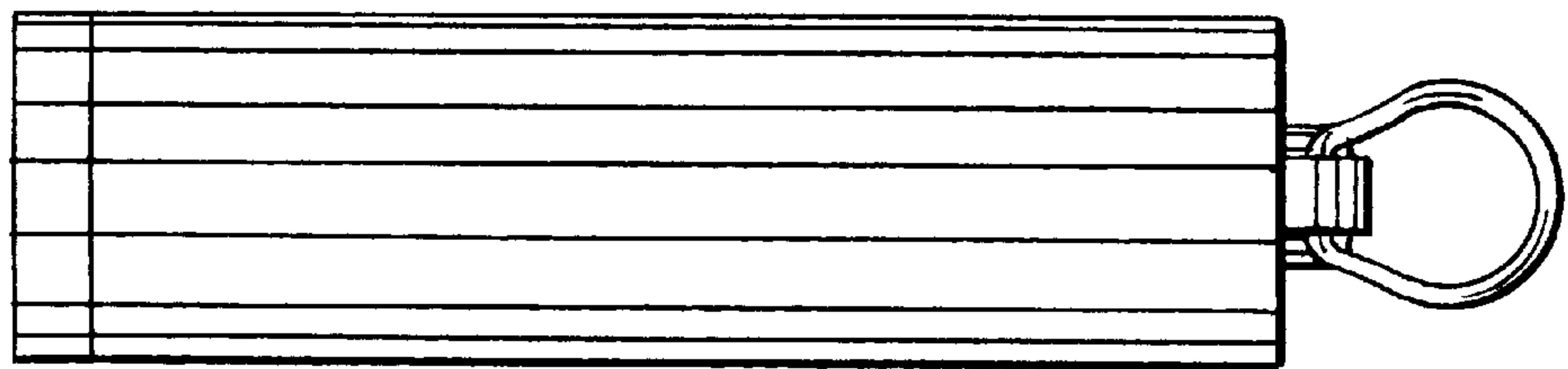


FIG. 8

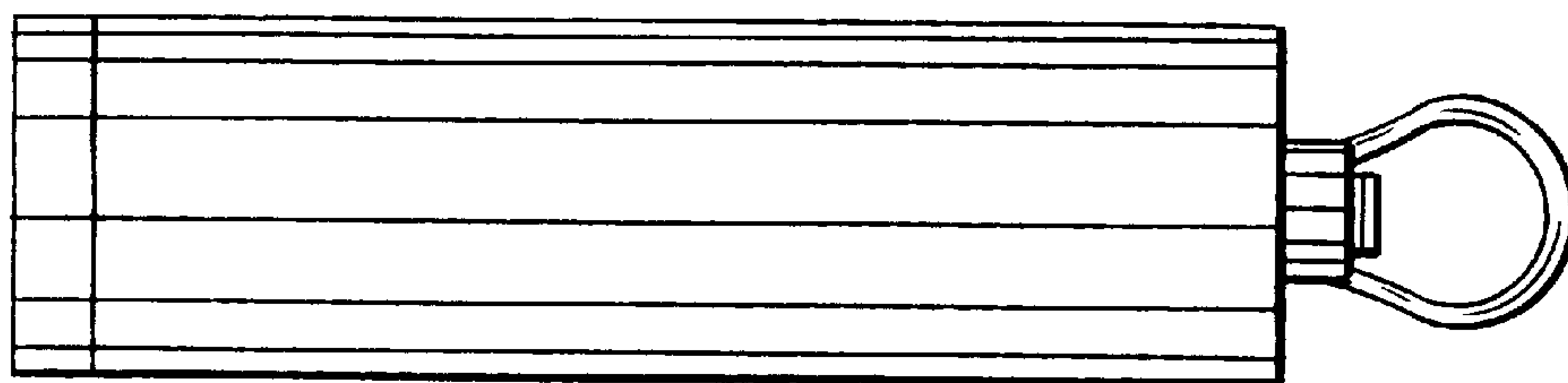


FIG. 9