



US00D422127S

United States Patent [19]
Jacques et al.

[11] **Patent Number: Des. 422,127**
[45] **Date of Patent: ** Mar. 28, 2000**

[54] **BARREL**
[75] Inventors: **Michel Jacques**, St-Damien; **Rock Nolet**, St-Joseph, both of Canada
[73] Assignee: **IPL Inc.**, St-Damien, Canada
[**] Term: **14 Years**
[21] Appl. No.: **29/101,385**
[22] Filed: **Mar. 2, 1999**
[51] **LOC (6) Cl.** **09-02**
[52] **U.S. Cl.** **D34/39**
[58] **Field of Search** D34/39; 217/98,
217/99, 72, 105; 220/4.04, 320, 669, 649,
601, 604

D. 318,227 7/1991 Halm D34/39
D. 319,134 8/1991 Pryztulla D34/39
D. 328,038 7/1992 Bruce D34/39
D. 359,830 6/1995 Mikula et al. D34/39
D. 408,113 4/1999 Hunter et al. D34/39
3,985,257 10/1976 Shaffer et al. 220/320

Primary Examiner—Susan J. Lucas
Assistant Examiner—Cynthia Ramirez
Attorney, Agent, or Firm—Jean H. Dubuc

[57] **CLAIM**

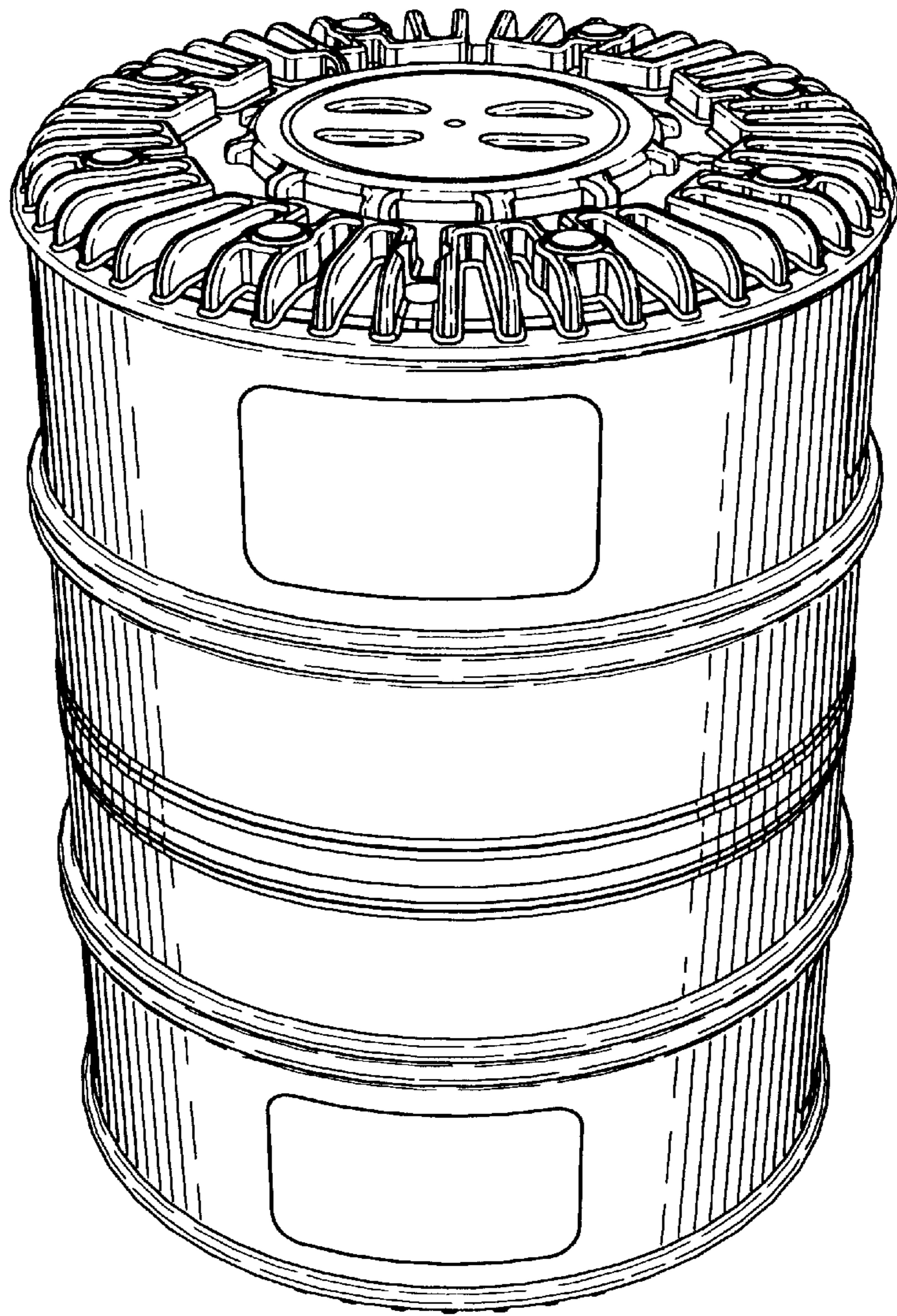
The ornamental design for a barrel, as shown and described.

DESCRIPTION

FIG. 1 is a perspective view of the barrel showing our new design;
FIG. 2 is a side elevation thereof;
FIG. 3 is a top plan view thereof; and,
FIG. 4 is a bottom plan view thereof.

[56] **References Cited**
U.S. PATENT DOCUMENTS
291,004 12/1883 Rosensteel 220/4.04

1 Claim, 3 Drawing Sheets



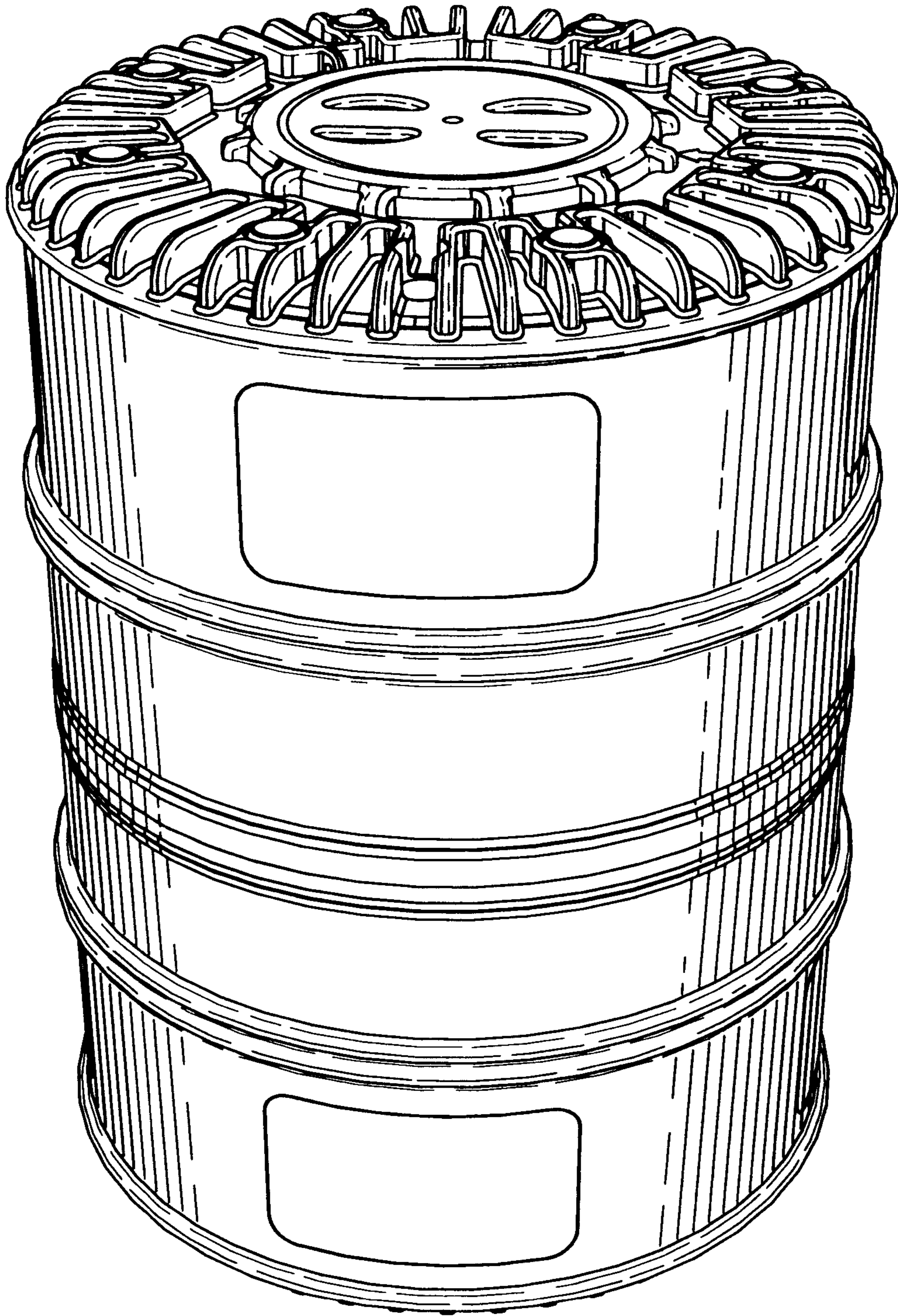


FIG. 1

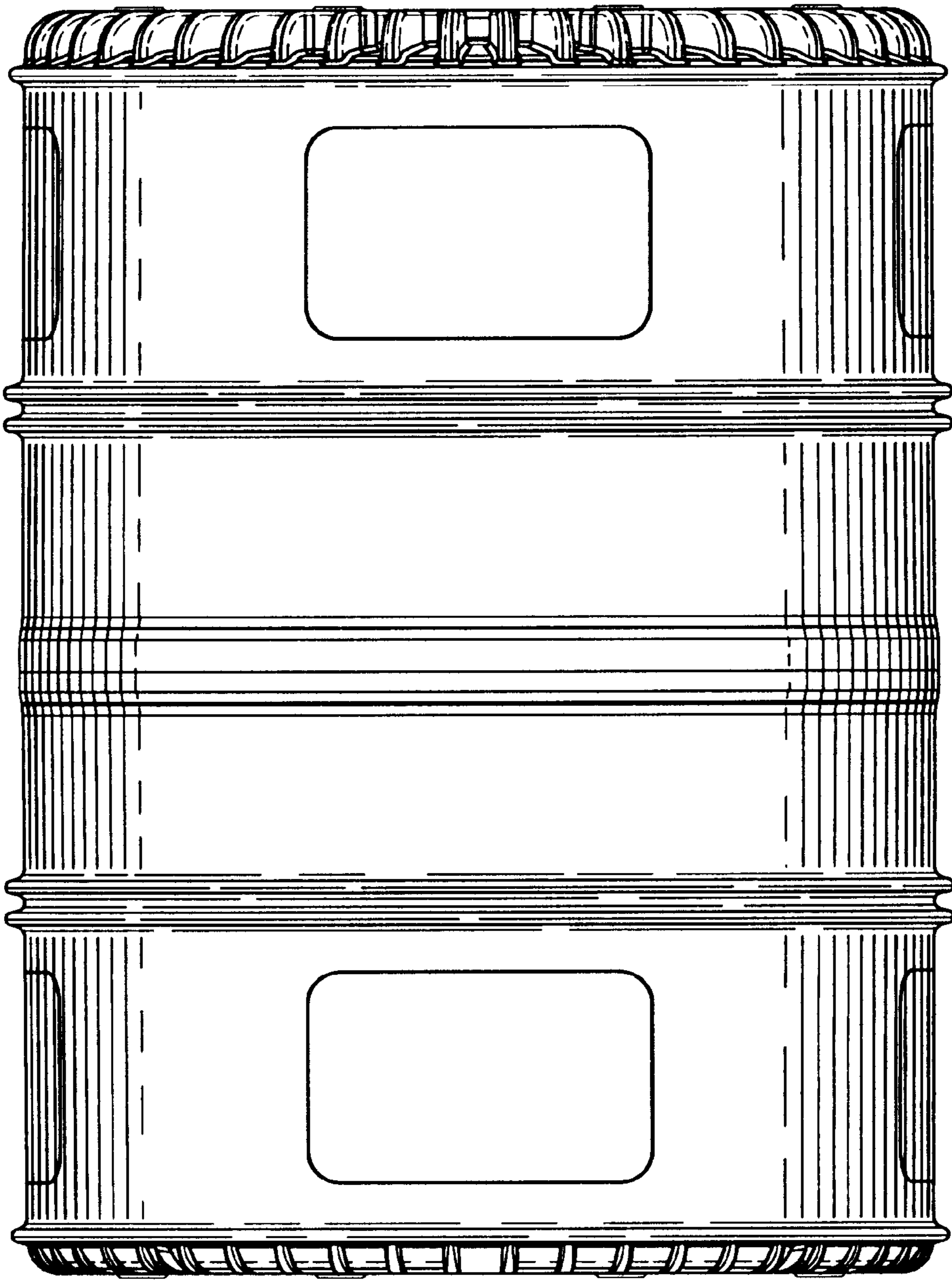


FIG. 2

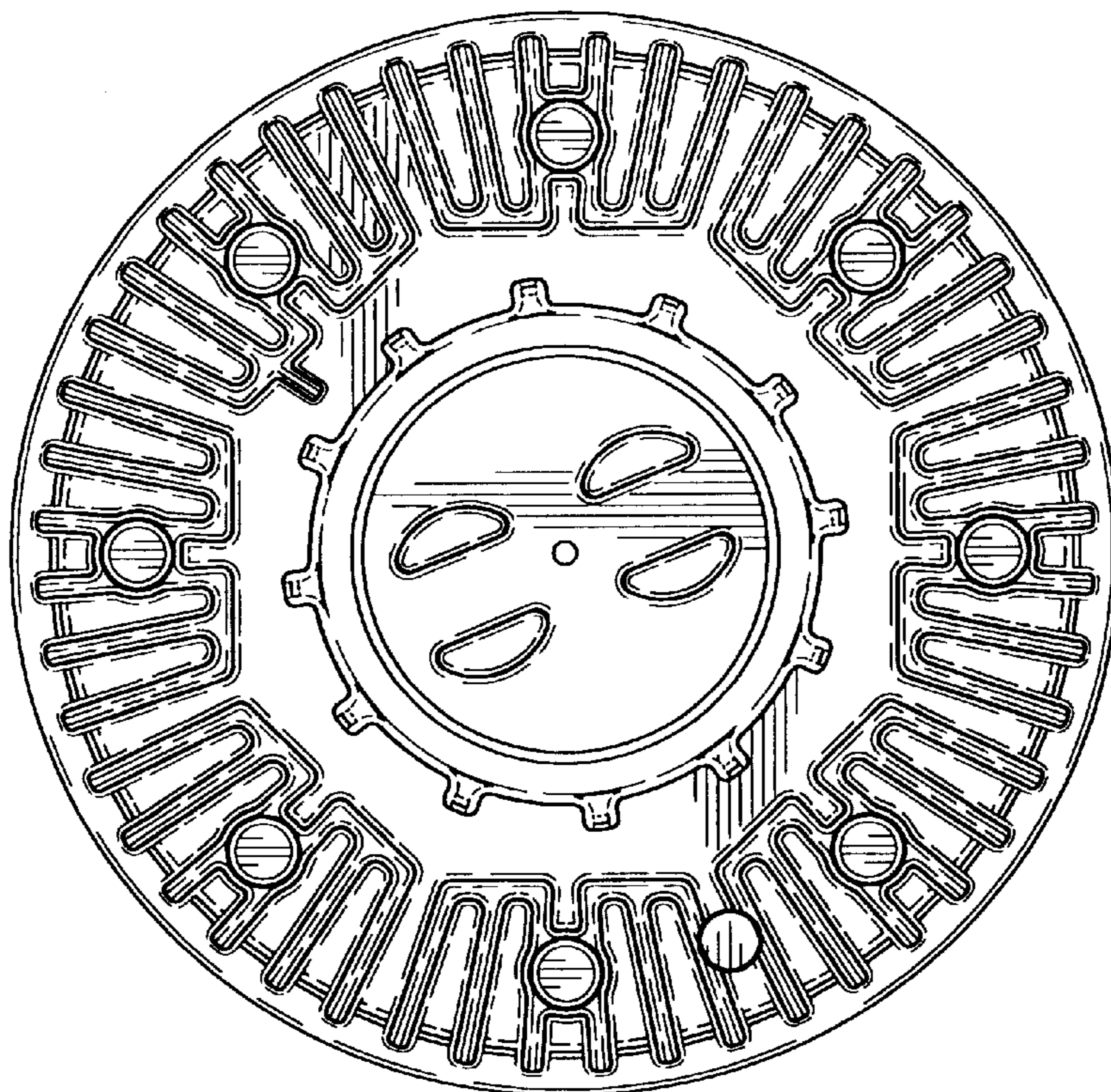


FIG. 3

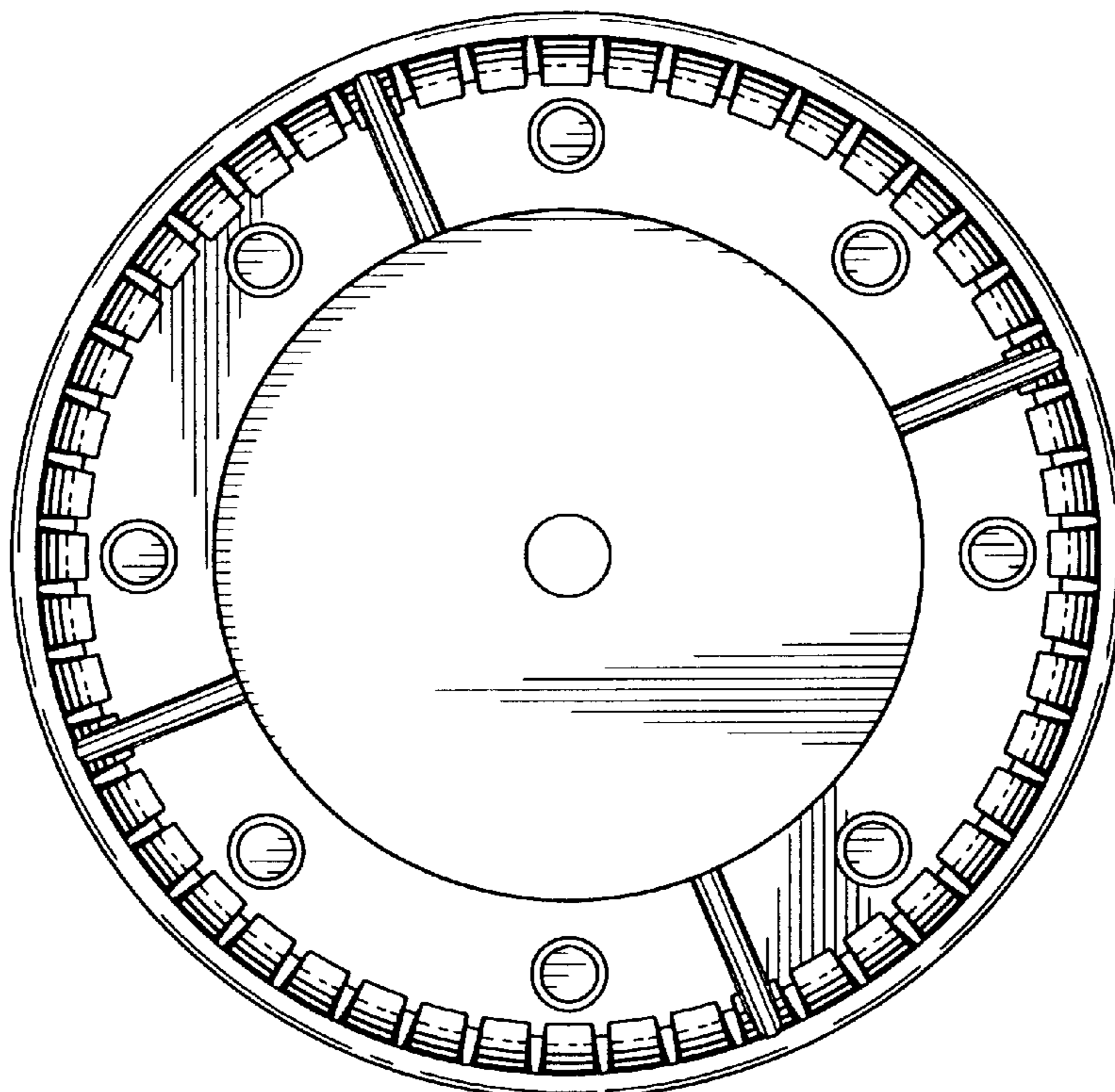


FIG. 4