



US00D422126S

United States Patent [19]

McKeown et al.

[11] Patent Number: Des. 422,126

[45] Date of Patent: ** Mar. 28, 2000

[54] STREET FURNITURE UNIT

[76] Inventors: **David McKeown**, 113 Beatty Grove, Celbridge, County Kildare; **Martin Barry**, 37 Orlagh Wood, Templeogue, Dublin 16, both of Ireland

[**] Term: 14 Years

[21] Appl. No.: 29/099,580

[22] Filed: Jan. 25, 1999

[30] Foreign Application Priority Data

Jul. 23, 1998 [IE] Ireland D304/98

[51] LOC (6) Cl. 09-09

[52] U.S. Cl. D34/1

[58] Field of Search D34/1, 7, 8, 9, D34/11, 4, 10; 220/908, 909, 910, 911

[56] References Cited

U.S. PATENT DOCUMENTS

D. 232,932 9/1974 Stahel, II D34/1
D. 287,176 12/1986 Kouwenhoven D34/9

D. 324,593 3/1992 Kouwenhoven D34/1
D. 360,643 7/1995 Whittington D34/7 X
D. 388,922 1/1998 Peters D34/1
D. 389,631 1/1998 Peters D34/1
D. 412,229 7/1999 Kerr D34/1
1,646,623 10/1927 McConnell 220/908

Primary Examiner—Susan J. Lucas
Assistant Examiner—Cynthia Ramirez
Attorney, Agent, or Firm—Jacobson, Price, Holman & Stern, PLLC

[57] CLAIM

We claim the ornamental design for the street furniture unit, as shown and described.

DESCRIPTION

FIG. 1 is a perspective view of a street furniture unit according to the design;
FIG. 2 is a top plan view of the street furniture unit;
FIG. 3 is an end view of the street furniture unit, the other end being a mirror image; and,
FIG. 4 is a front elevational view of the street furniture unit, the rear being a mirror image.

1 Claim, 2 Drawing Sheets

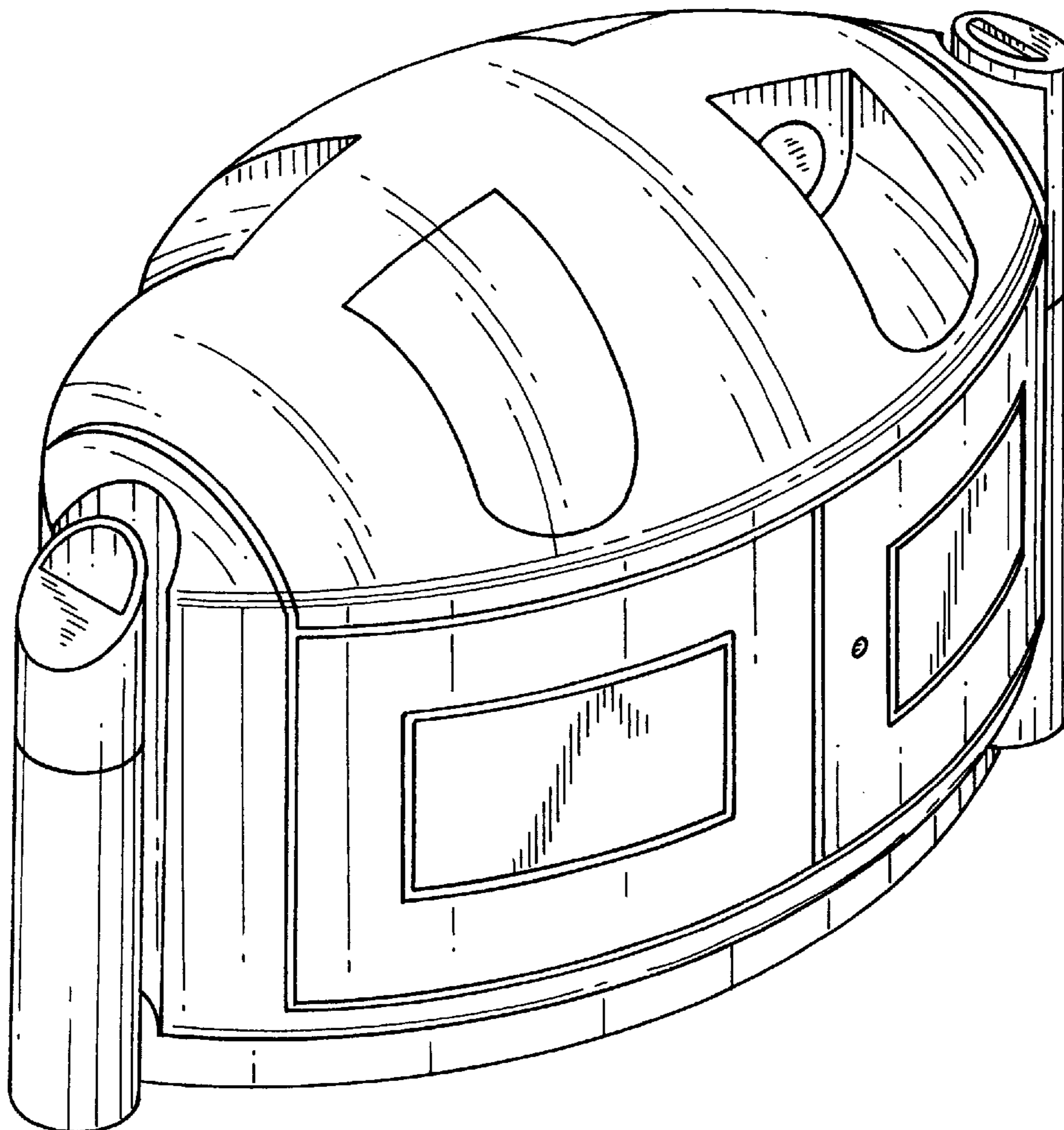


FIG. 1

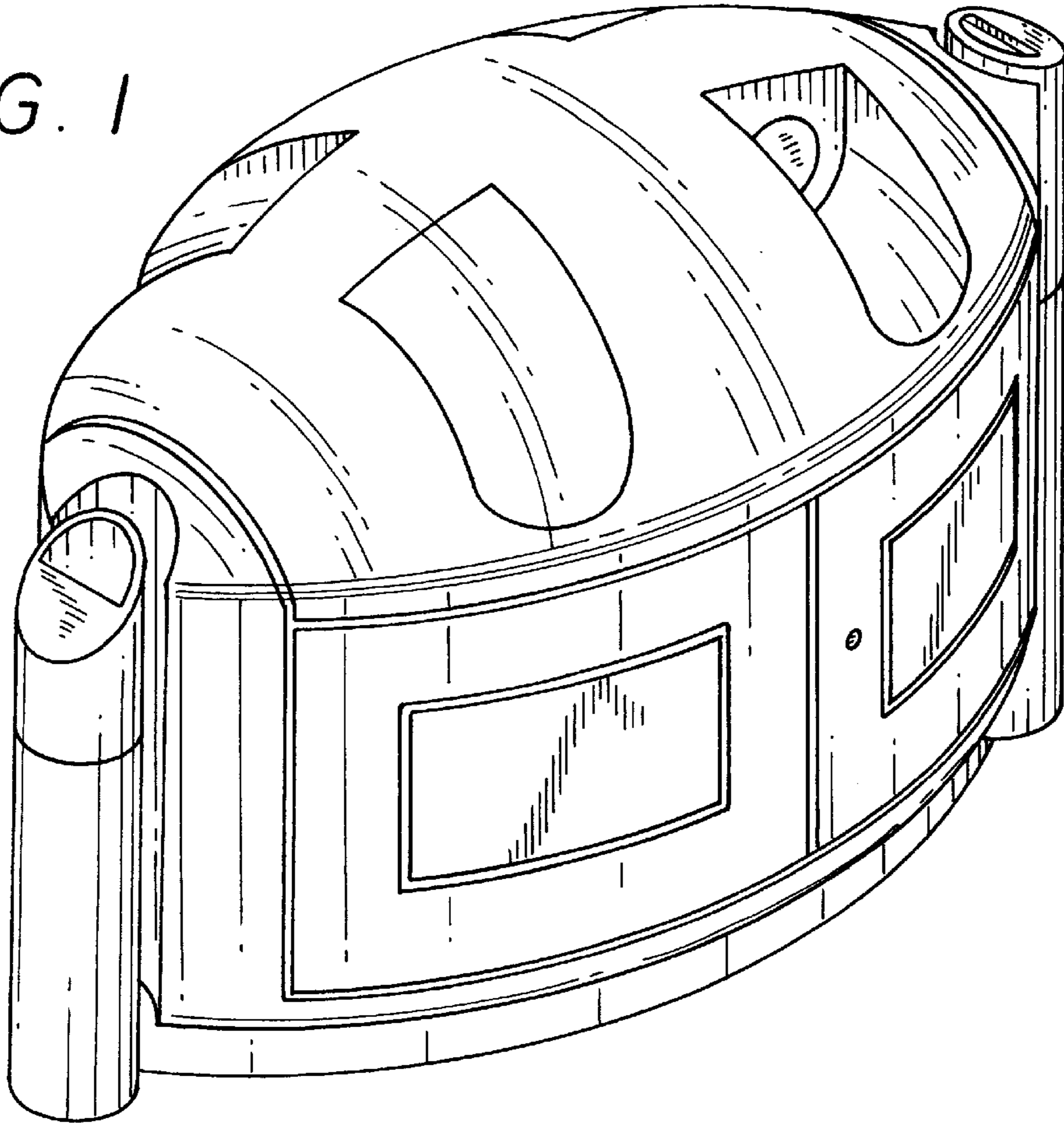


FIG. 2

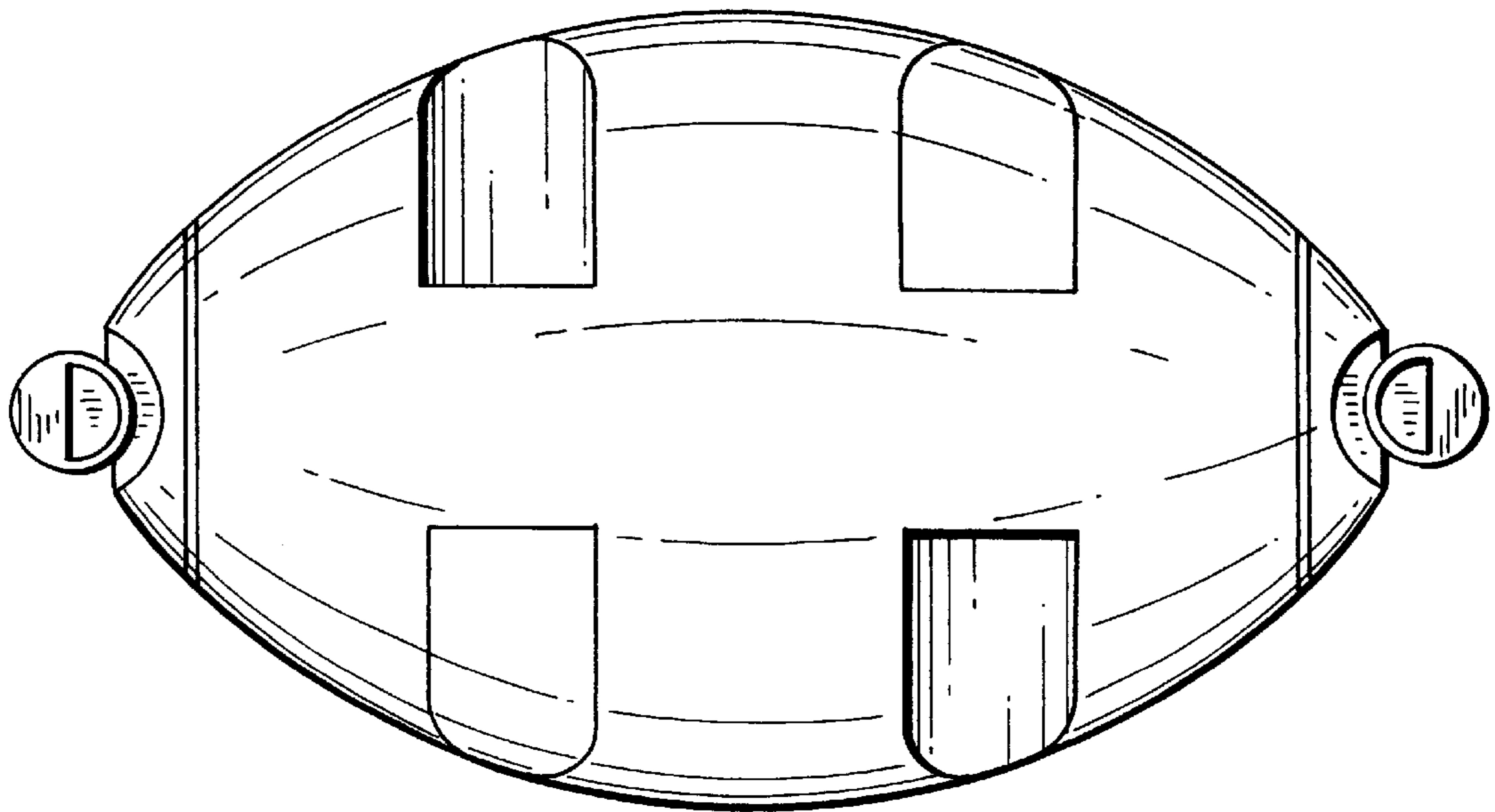


FIG. 4

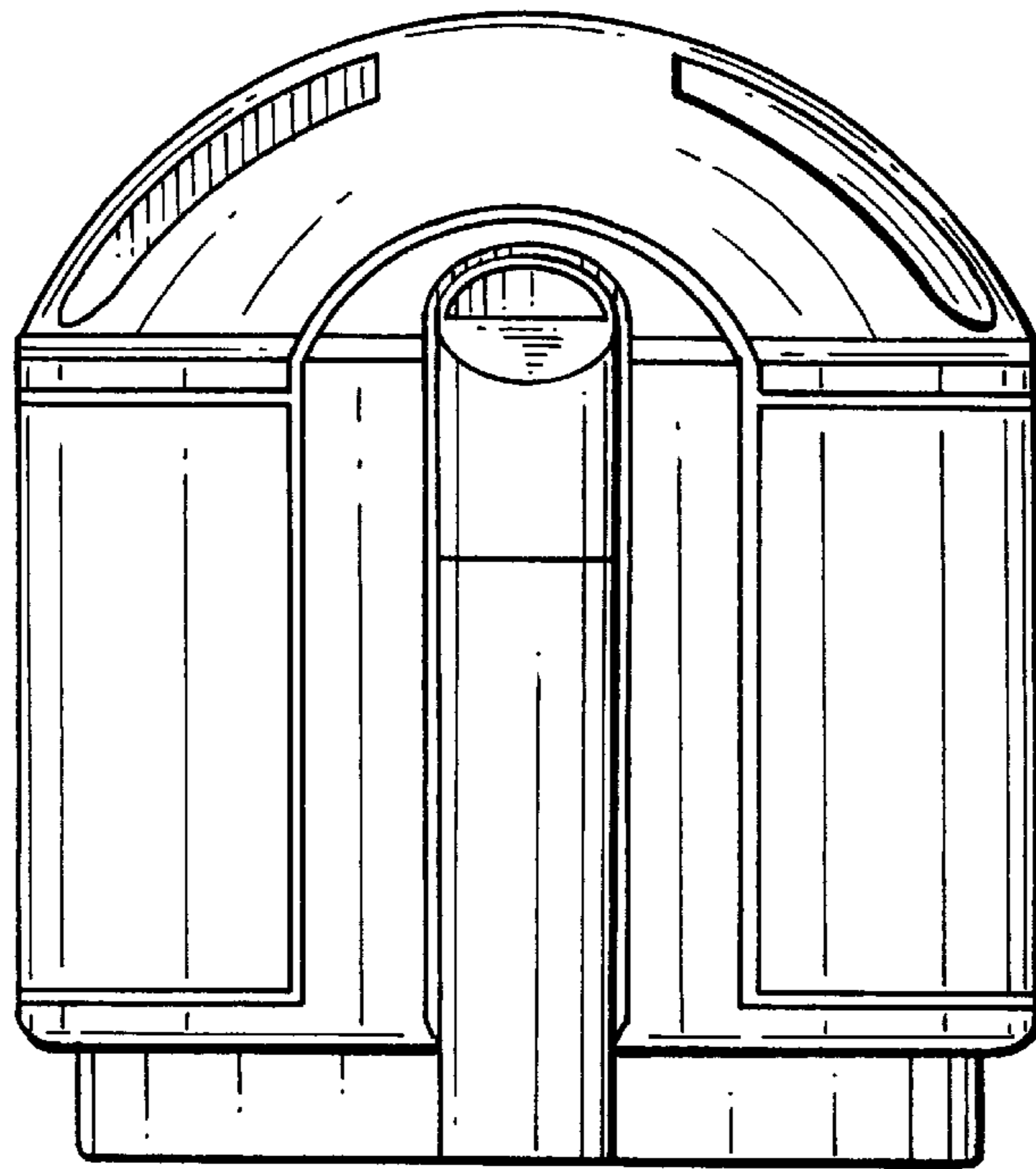
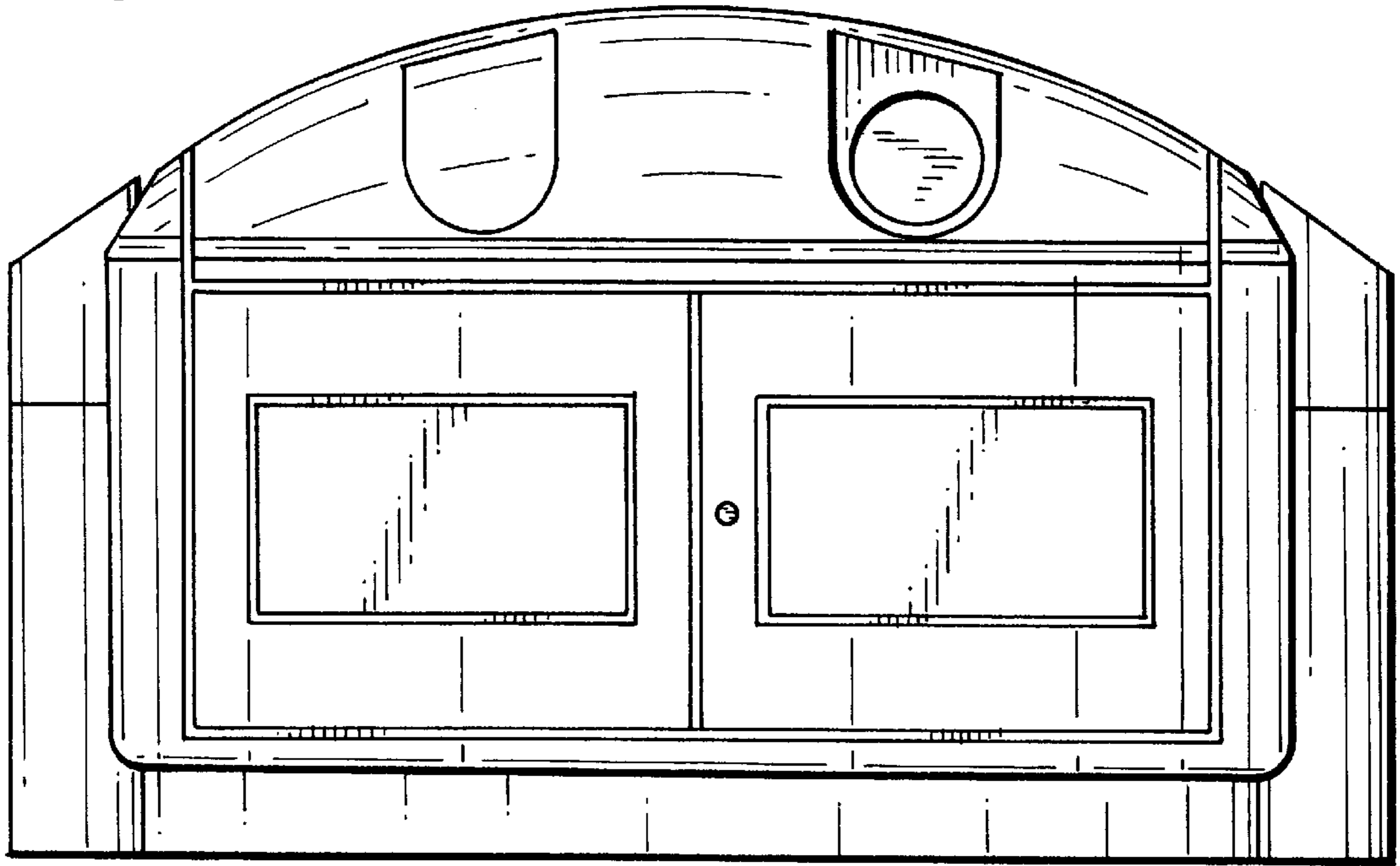


FIG. 3