



US00D422124S

**United States Patent** [19]  
**Rimback**

[11] **Patent Number: Des. 422,124**

[45] **Date of Patent: \*\* Mar. 28, 2000**

[54] **BATH SQUEEGEE**

[75] Inventor: **Peter A. Rimback**, South Euclid, Ohio

[73] Assignee: **Hanover Catalog Holdings, Inc.**,  
Weehawken, N.J.

[\*\*] Term: **14 Years**

[21] Appl. No.: **29/107,180**

[22] Filed: **Jun. 29, 1999**

[51] **LOC (6) Cl.** ..... **08-05**

[52] **U.S. Cl.** ..... **D32/41**

[58] **Field of Search** ..... D8/45; D32/40,  
D32/41, 46; 15/121, 236.01, 236.02, 245,  
245.1, 236.08

[56] **References Cited**

**U.S. PATENT DOCUMENTS**

D. 214,085	5/1969	Fremdling	.....	D32/41
D. 388,569	12/1997	Israel	.....	D32/41
4,064,588	12/1977	Cooper	.....	15/236.08
5,321,868	6/1994	Coulson et al.	.....	15/245.1

**OTHER PUBLICATIONS**

Catalog: "Frontgate®, Enhancing Your Life at Home," Holiday 1998, p. 60, Bath Squeegee.

Catalog: "Improvements™, Quick & Clever Problem-Solvers!" Spring 1996, p. 35, Squeegee.

Attachment A (one page) showing a perspective drawing of the squeegee shown in the Improvements™ catalog, along with a mounting bracket, 1996.

*Primary Examiner*—Alan P. Douglas

*Assistant Examiner*—Lavone Tabor

*Attorney, Agent, or Firm*—Thompson Hine & Flory LLP

[57] **CLAIM**

The ornamental design for a bath squeegee, as shown and described.

**DESCRIPTION**

FIG. 1 is a perspective view of my new bath squeegee;

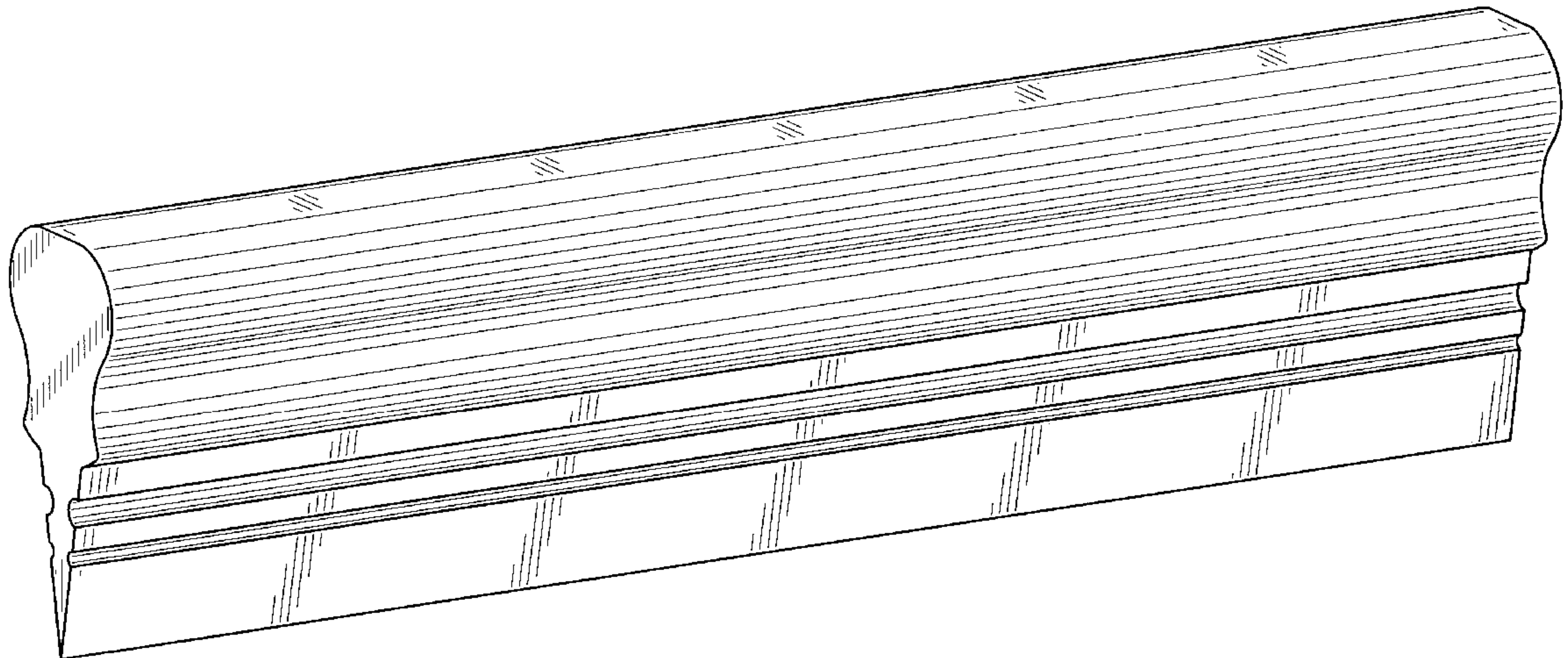
FIG. 2 is a right side view thereof, the left side view being identical;

FIG. 3 is front view thereof, the rear view being identical;

FIG. 4 is a top view thereof; and,

FIG. 5 is a bottom view thereof.

**1 Claim, 3 Drawing Sheets**



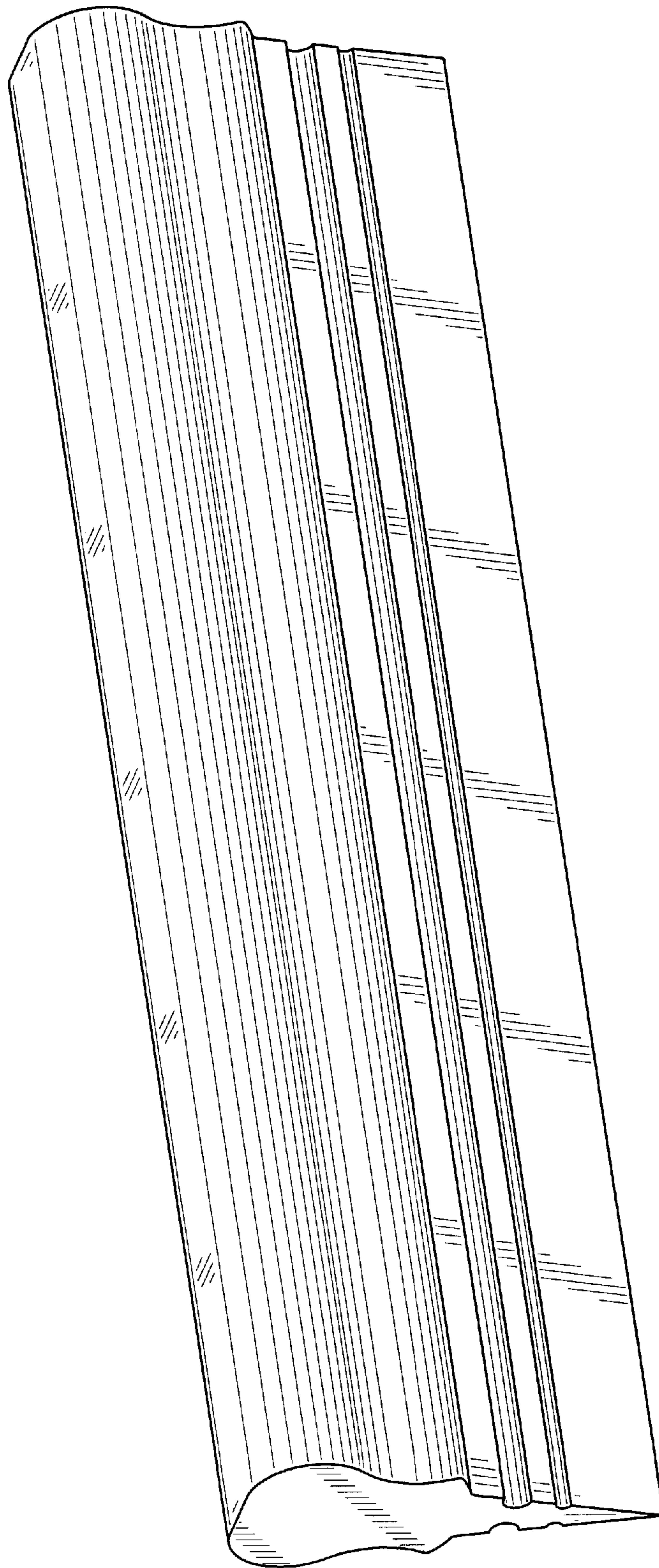


FIG. 1

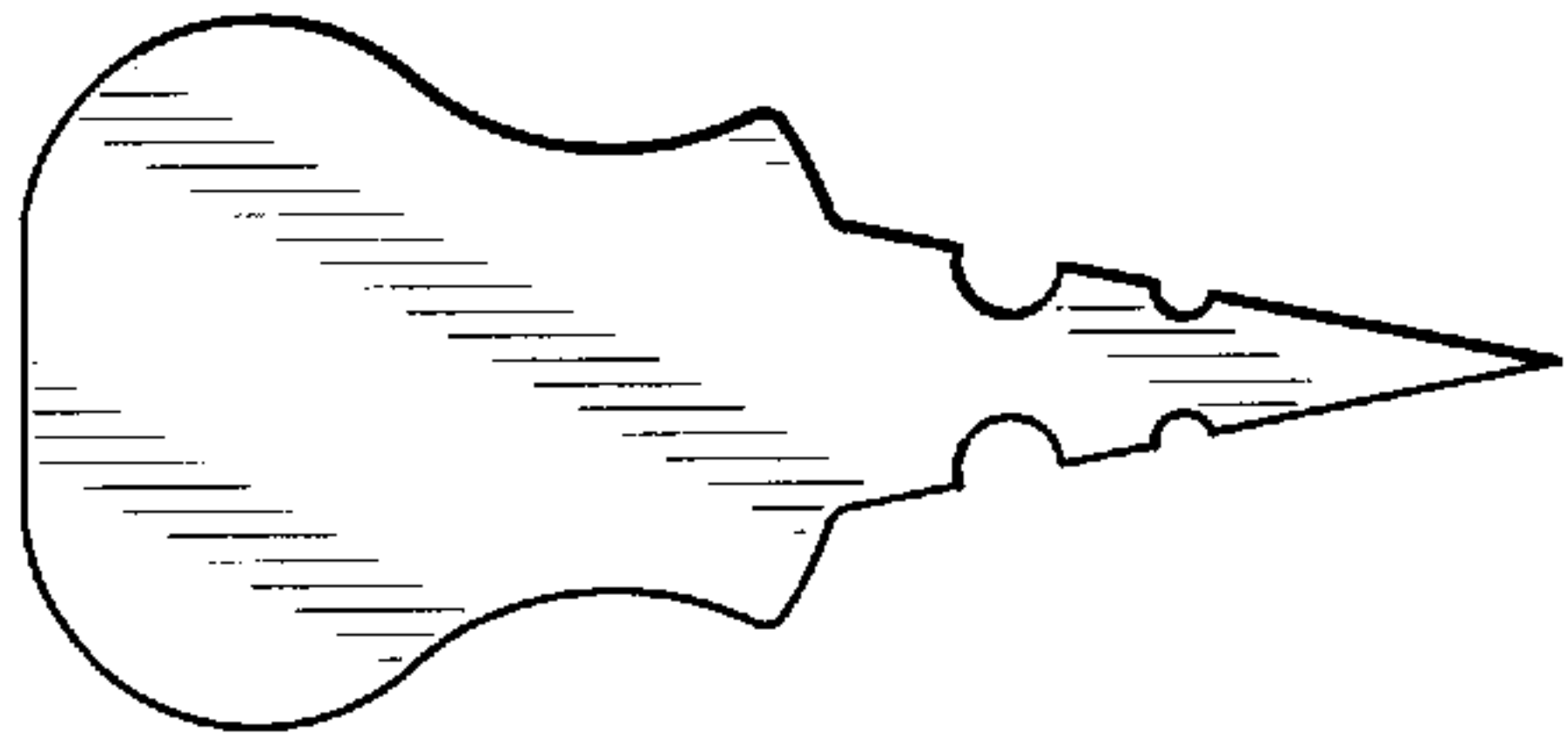


FIG. 2

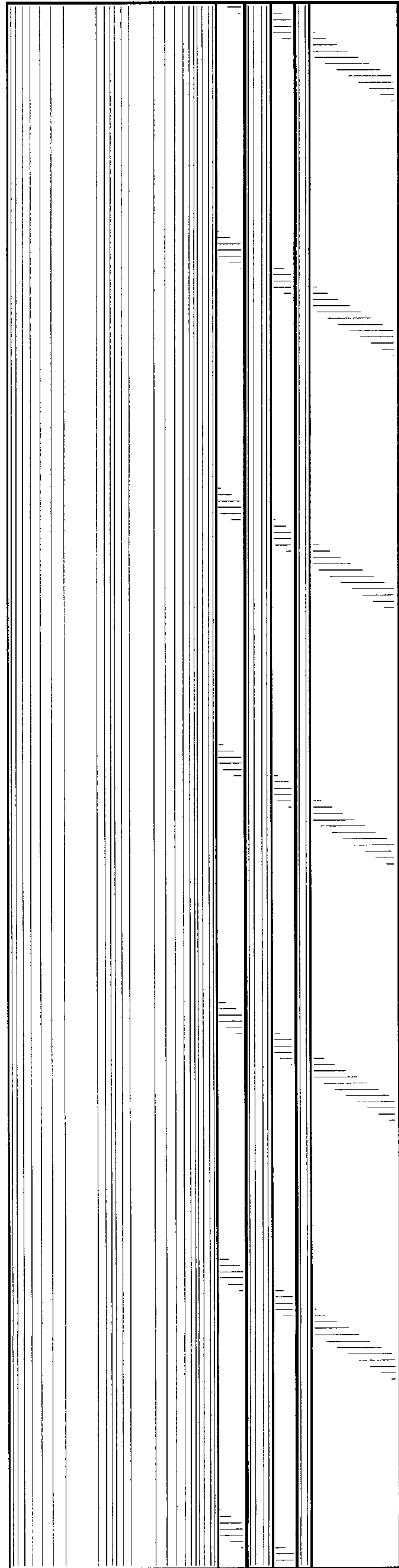


FIG. 3

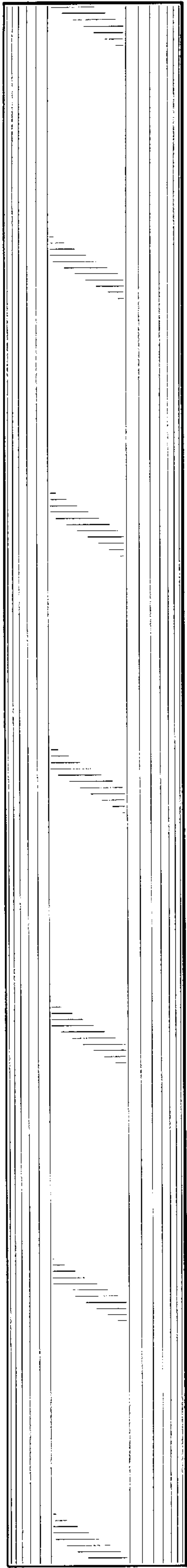


FIG. 4

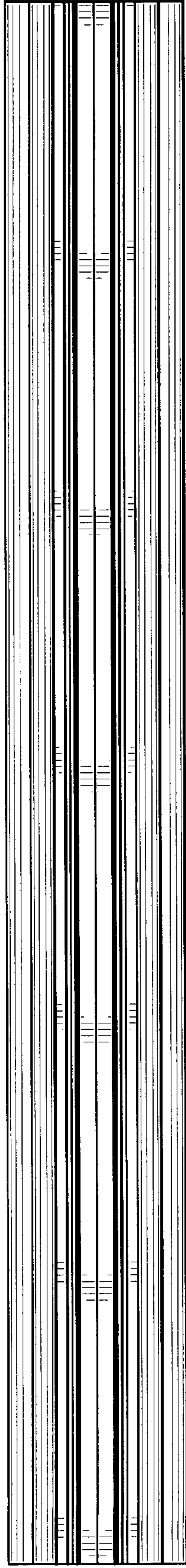


FIG. 5