



US00D422122S

United States Patent [19]

[11] **Patent Number: Des. 422,122**

Vore et al.

[45] **Date of Patent: ** Mar. 28, 2000**

[54] BIRD FEEDER

OTHER PUBLICATIONS

[76] Inventors: **Richard L. Vore**, 4190 E. Gregory Rd., Eaton, Ind. 47338; **Thomas E. Jones**, 4545 W. State Rd., Berne, Ind. 46711

Duncraft Catalog, Oriole Fruit Feeder, Fruit Kabob, 1991, page 24.

[**] Term: **14 Years**

Primary Examiner—Louis S. Zarfaz
Assistant Examiner—Catherine R. Oliver
Attorney, Agent, or Firm—Ice Miller Donadio & Ryan; Thomas A. Walsh; Doreen J. Gridley

[21] Appl. No.: **29/099,235**

[22] Filed: **Jan. 18, 1999**

[57] CLAIM

[51] **LOC (6) Cl.** **30-03**

The ornamental design for a bird feeder, as shown and described.

[52] **U.S. Cl.** **D30/124**

[58] **Field of Search** D30/124–128, D30/121, 110, 111; 119/57.9, 57.8, 52.2, 52.3, 53, 428, 429; D11/124, 127, 131

DESCRIPTION

[56] References Cited

FIG. 1 is a front elevational view of a bird feeder showing the new design, with the rear view being a mirror image thereof;

U.S. PATENT DOCUMENTS

FIG. 2 is a top plan view thereof;

FIG. 3 is a left side elevational view thereof, with the right side being a mirror image thereof;

D. 185,682	7/1959	Sheffler .	
D. 200,317	2/1965	Entyre .	
D. 330,953	11/1992	Schneider	D30/124
D. 367,550	2/1996	Drummond	D30/119
D. 380,878	7/1997	Brown	D30/121
D. 388,754	1/1998	Largent	D11/157
D. 391,192	2/1998	Speedling et al.	D11/131
D. 392,208	3/1998	Chong	D11/127
D. 398,722	9/1998	Hardison	D30/124
2,972,334	2/1961	Braden .	
4,441,457	4/1984	Sanford .	
4,523,260	6/1985	Duncan	D11/124
5,022,349	6/1991	Bryant et al.	119/57.8

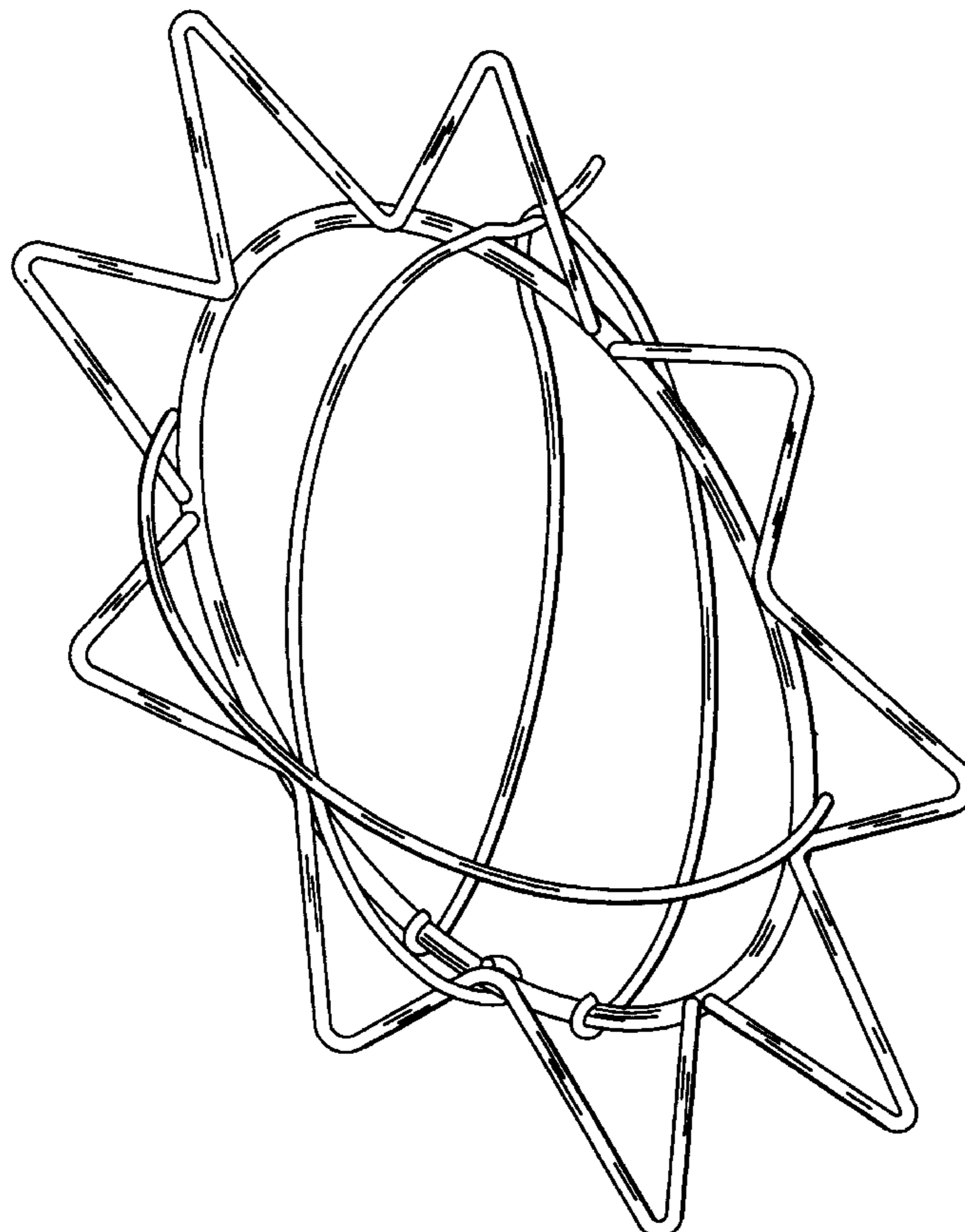
FIG. 4 is a left side perspective thereof;

FIG. 5 is a bottom plan view thereof; and,

FIG. 6 is a left side perspective view thereof, illustrating its use with a bird feeder stand not considered part of the bird feeder.

The bird feeder stand in FIG. 6 is shown in broken lines for illustrative purposes only and forms no part of the claimed design.

1 Claim, 6 Drawing Sheets



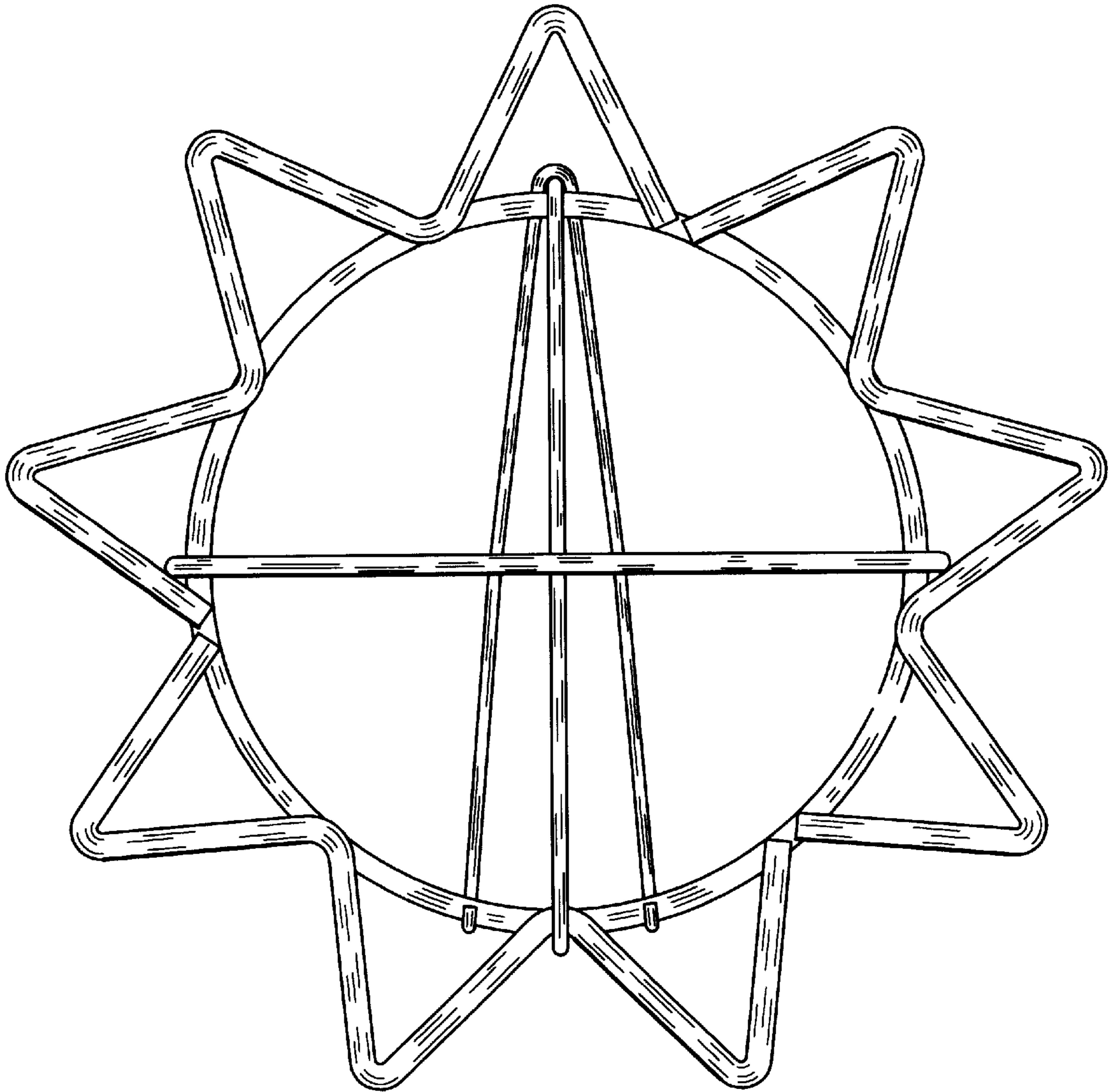


FIG. 1

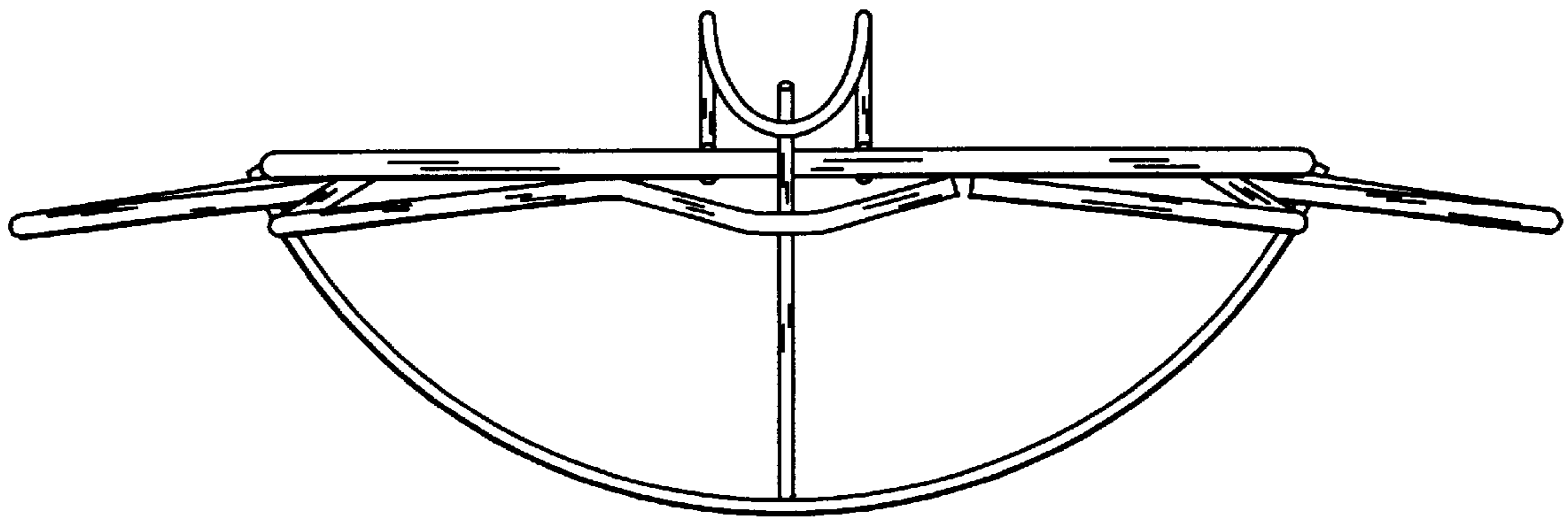


FIG. 2

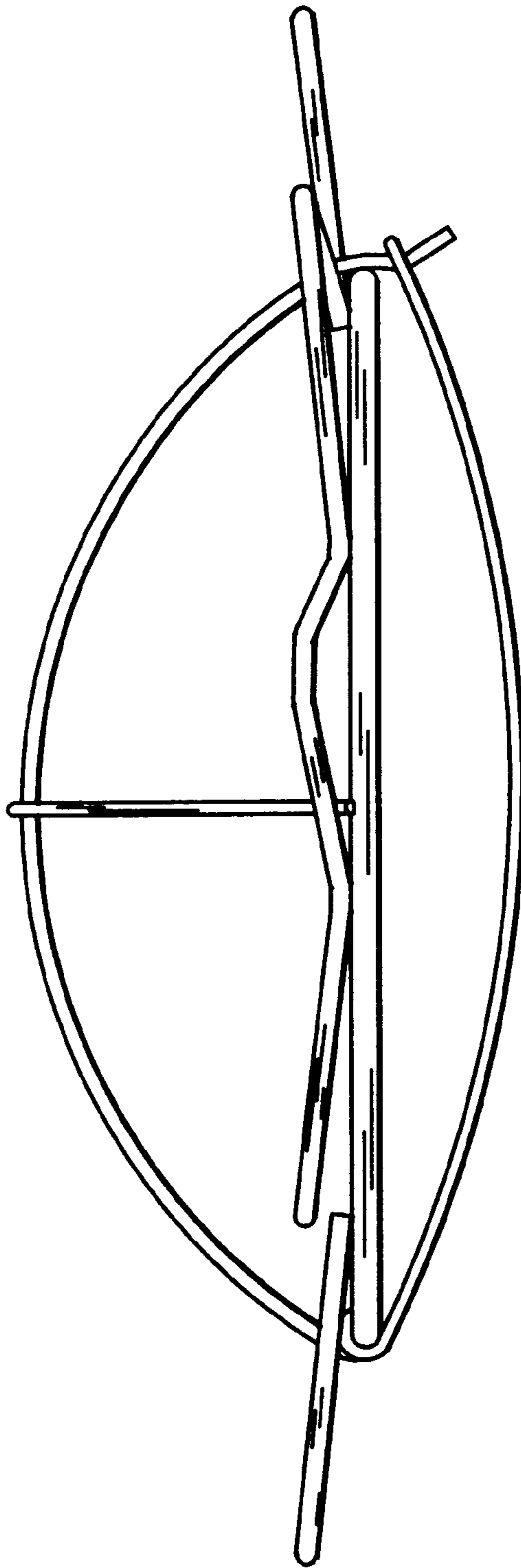


FIG. 3

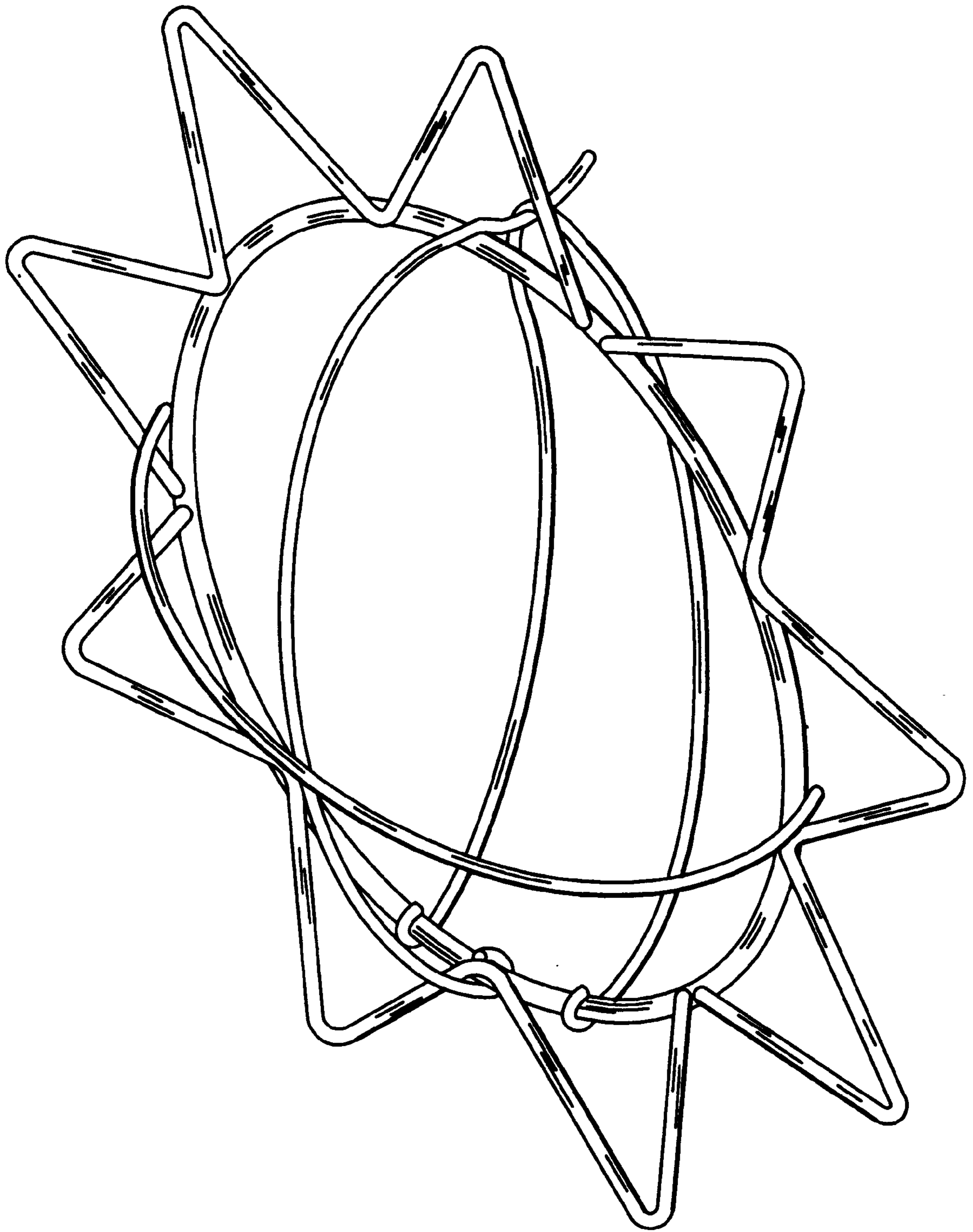


FIG. 4

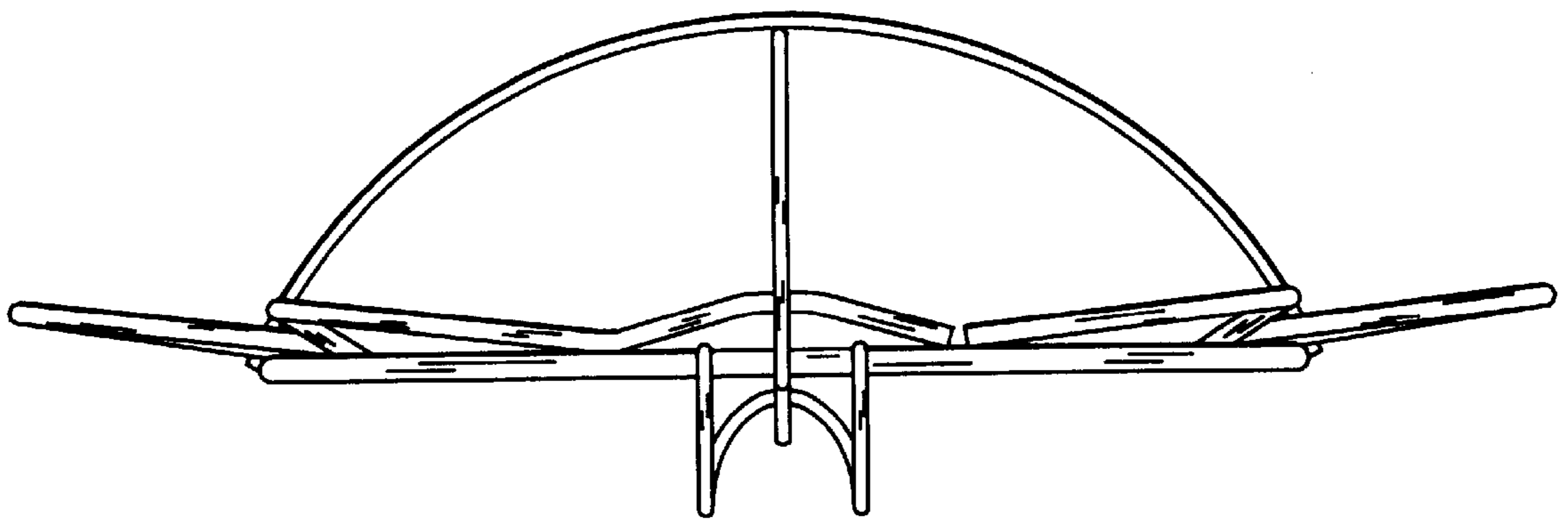


FIG. 5

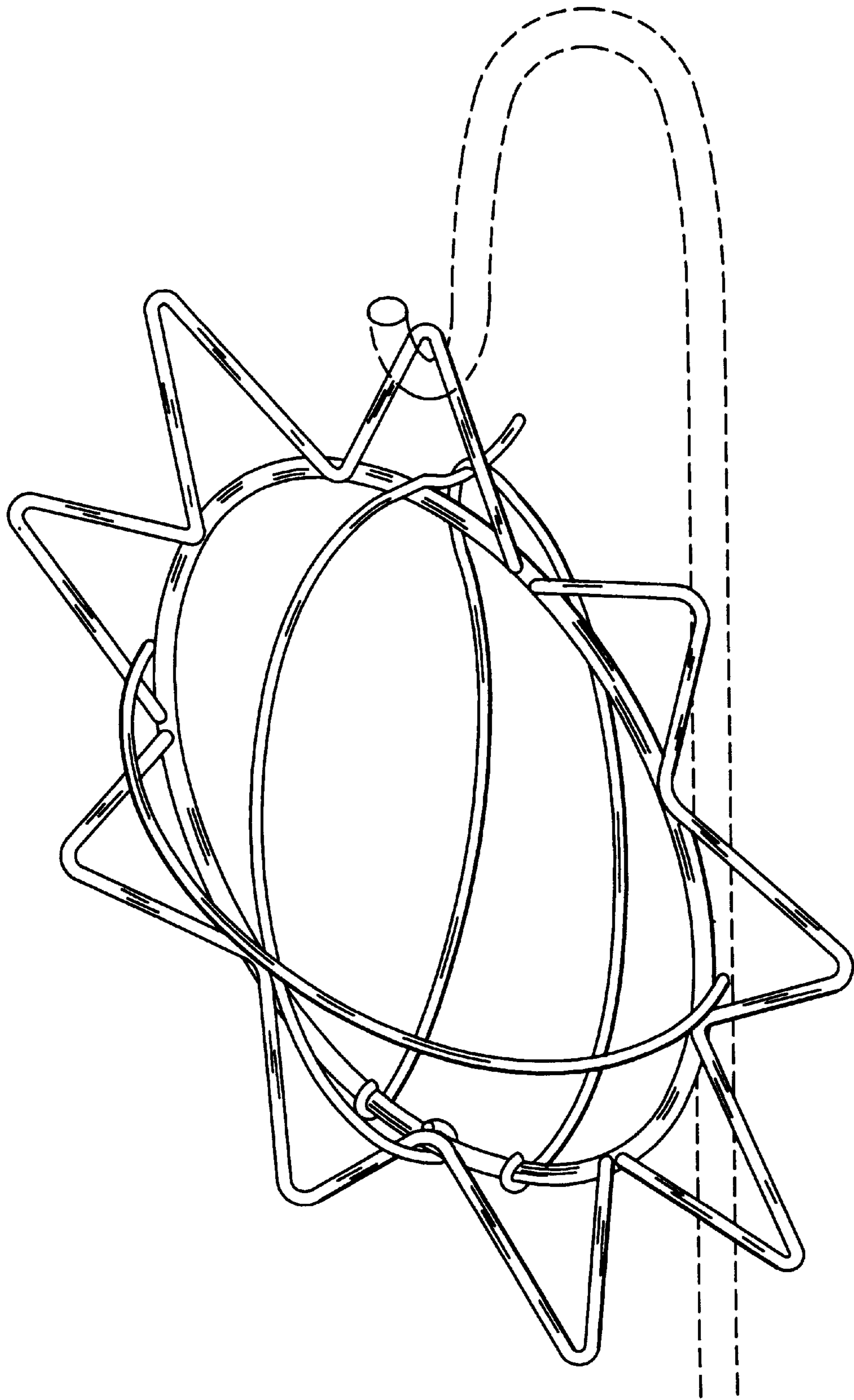


FIG. 6