



US00D422120S

United States Patent [19] Orsomando

[11] **Patent Number: Des. 422,120**

[45] **Date of Patent: ** Mar. 28, 2000**

[54] **COMPACT**

[75] Inventor: **Katherine Orsomando**, Ossining, N.Y.

[73] Assignee: **Cosmair Creative, Inc.**, New York, N.Y.

[**] Term: **14 Years**

[21] Appl. No.: **29/102,285**

[22] Filed: **Mar. 22, 1999**

[51] **LOC (6) Cl.** **28-03**

[52] **U.S. Cl.** **D28/83**

[58] **Field of Search** D28/76-84; D3/201,
D3/273-275, 294, 901; D9/423; 132/286,
293-307, 314-317; 206/235, 581, 823;
220/DIG. 26

[56] **References Cited**

U.S. PATENT DOCUMENTS

D. 103,668	3/1937	Case	D9/420
D. 115,324	6/1939	Zell	D28/83
D. 407,855	4/1999	Orsomando	D28/83
2,642,202	6/1953	Cowan	220/844
4,276,893	7/1981	Enomoto et al.	132/301
4,399,826	8/1983	Ogasawara	132/301
4,684,017	8/1987	Watanabe et al.	206/235
4,880,139	11/1989	Jumel et al.	220/836
5,638,838	6/1997	Lombardi	132/294
5,813,420	9/1998	Sussman	132/294

FOREIGN PATENT DOCUMENTS

2414311	9/1979	France	132/293
2470555	6/1981	France	206/823

OTHER PUBLICATIONS

Vogue Sep. 1992, p. 125: Lancome Dual Finish compact.

Avon C-10 1994, p. 46 item A.

[1. Revlon Compact] 2 Photos of a Revlon Compact, designated "Compact No. 1"—undated.

[2. Revlon Compact] 2 Photos of a Revlon Compact, designated "Compact No. 2"—undated.

[3. Orange Plastic Co., Rahaway, N.J. 07065] 2 Photos of a Container Manufactured by Orange Plastic Co., designated "Compact No. 3"—undated.

[5. Toly Products, New Jersey] 2 Photos of a container designated as "Compact No. 4", "Toly Products, New Jersey"—undated.

[5. Toly Products, New Jersey (Charlie)] 2 Photos of a container designated as "Compact No. 5", "Toly Products, New Jersey (Charlie)"—undated.

Primary Examiner—Ted Shooman

Assistant Examiner—C. Tuttle

Attorney, Agent, or Firm—Baker & Botts LLP

[57] **CLAIM**

The ornamental design for a compact, as shown and described.

DESCRIPTION

FIG. 1 is a three-dimensional perspective view of the compact of the present invention;

FIG. 2 is a front view of the compact of the present invention;

FIG. 3 is a top view of the compact of the present invention;

FIG. 4 is a side view of the compact of the present invention;

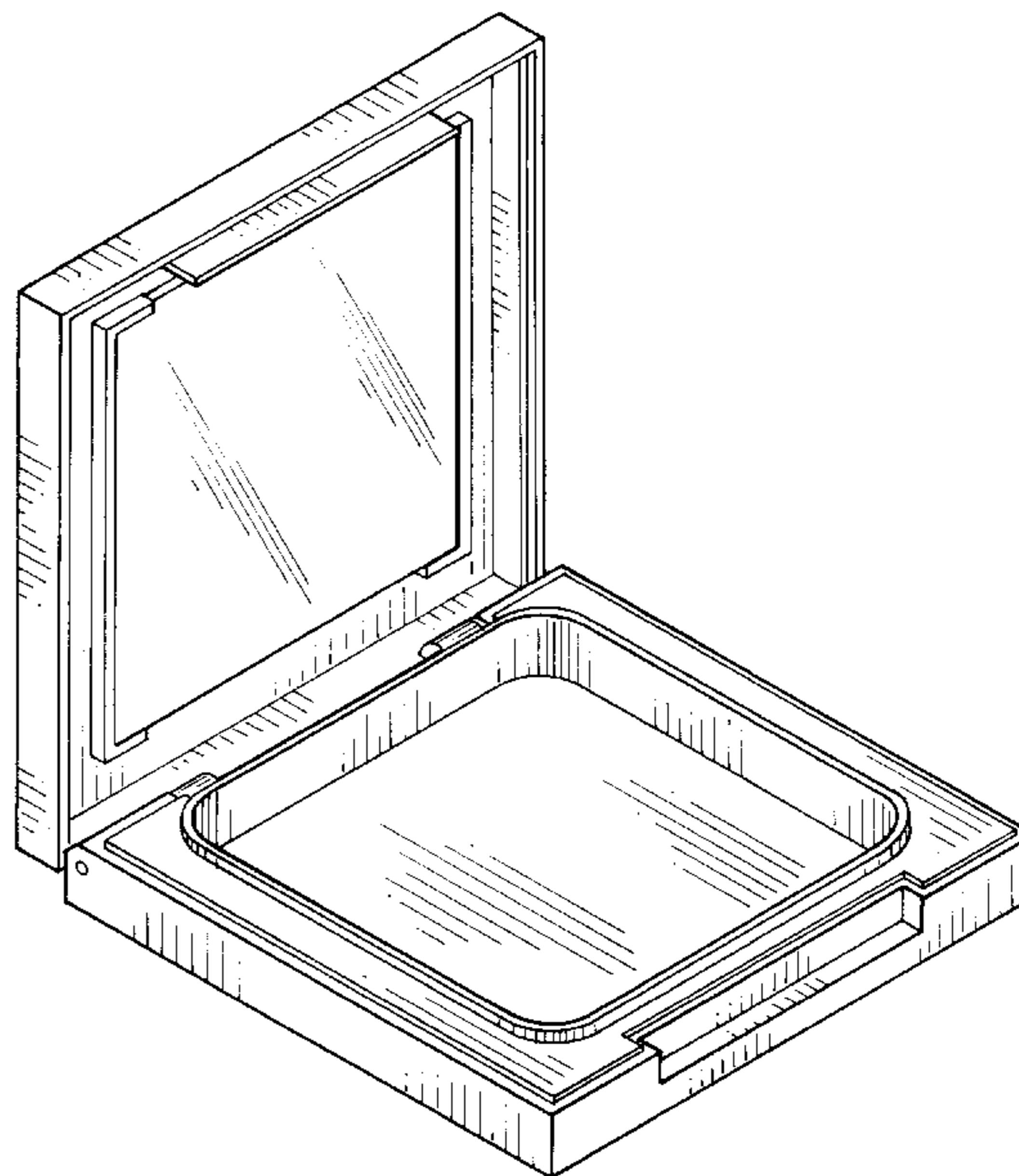
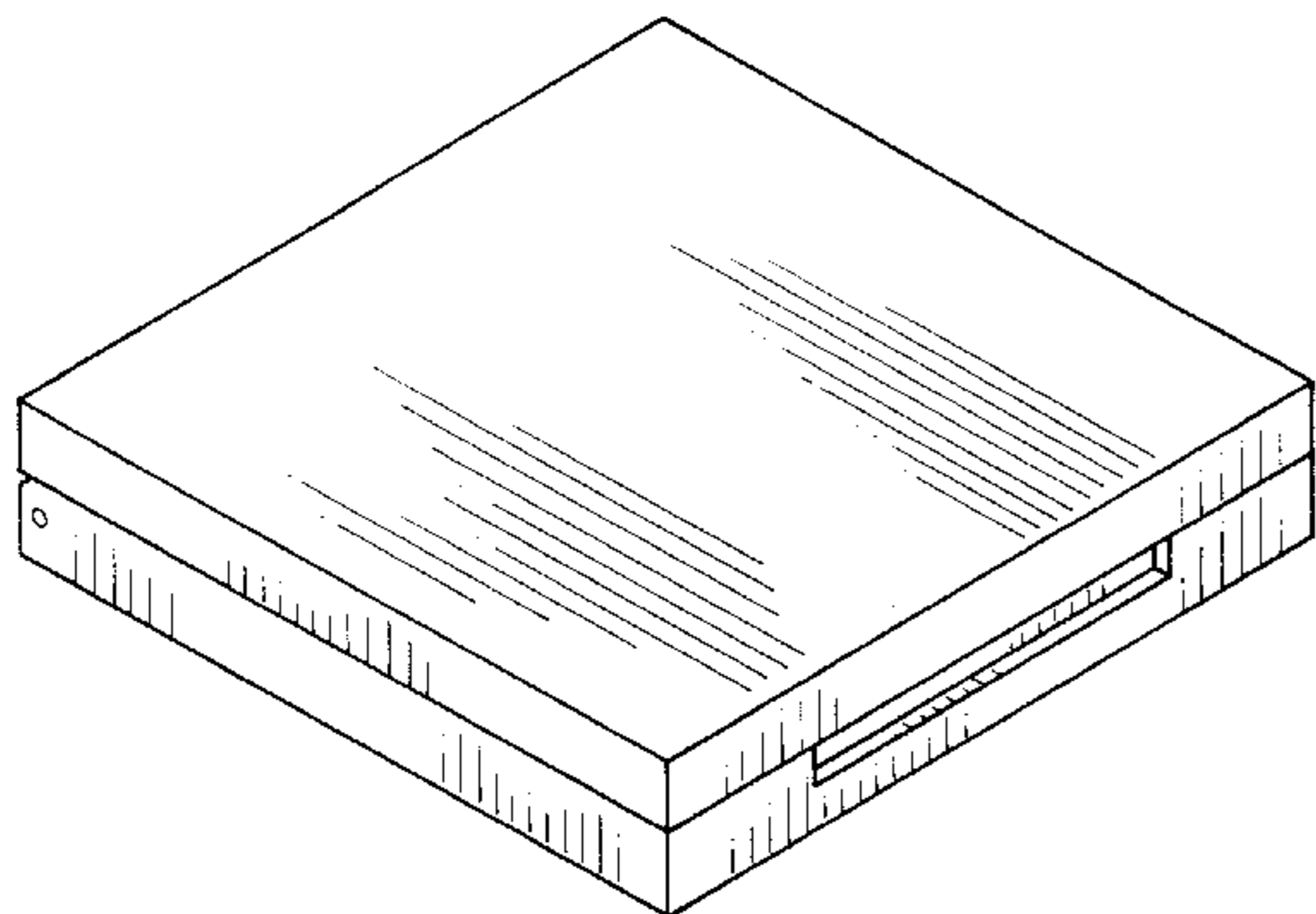
FIG. 5 is a rear view of the compact of the present invention;

FIG. 6 is a bottom view of the compact of the present invention; and,

FIG. 7 is a three-dimensional perspective view with the compact top open.

The surface(s) or portion(s) of the article not shown in the drawing or described in the specification form(s) no part of the claimed design.

1 Claim, 3 Drawing Sheets



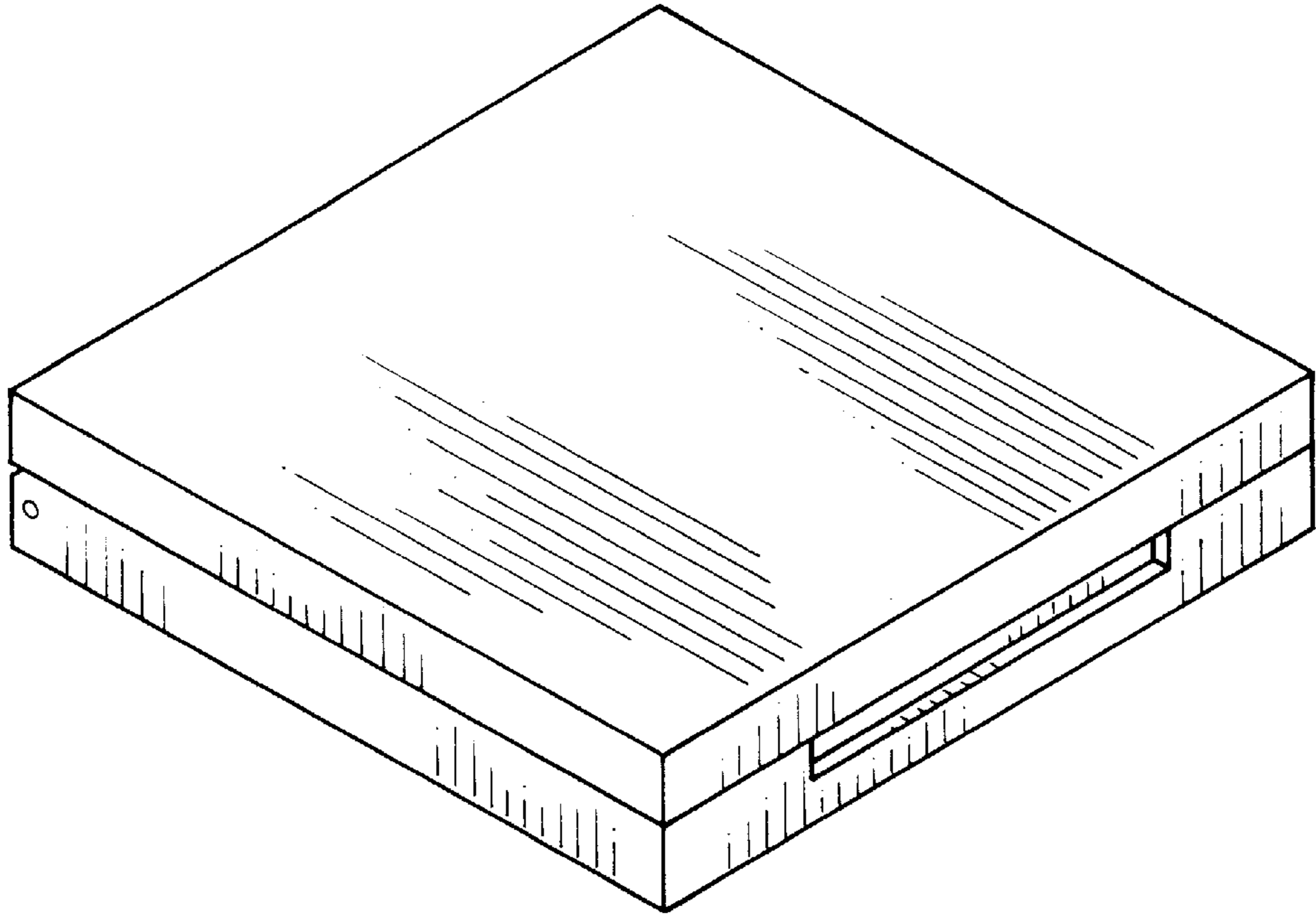


FIG. 1



FIG. 2

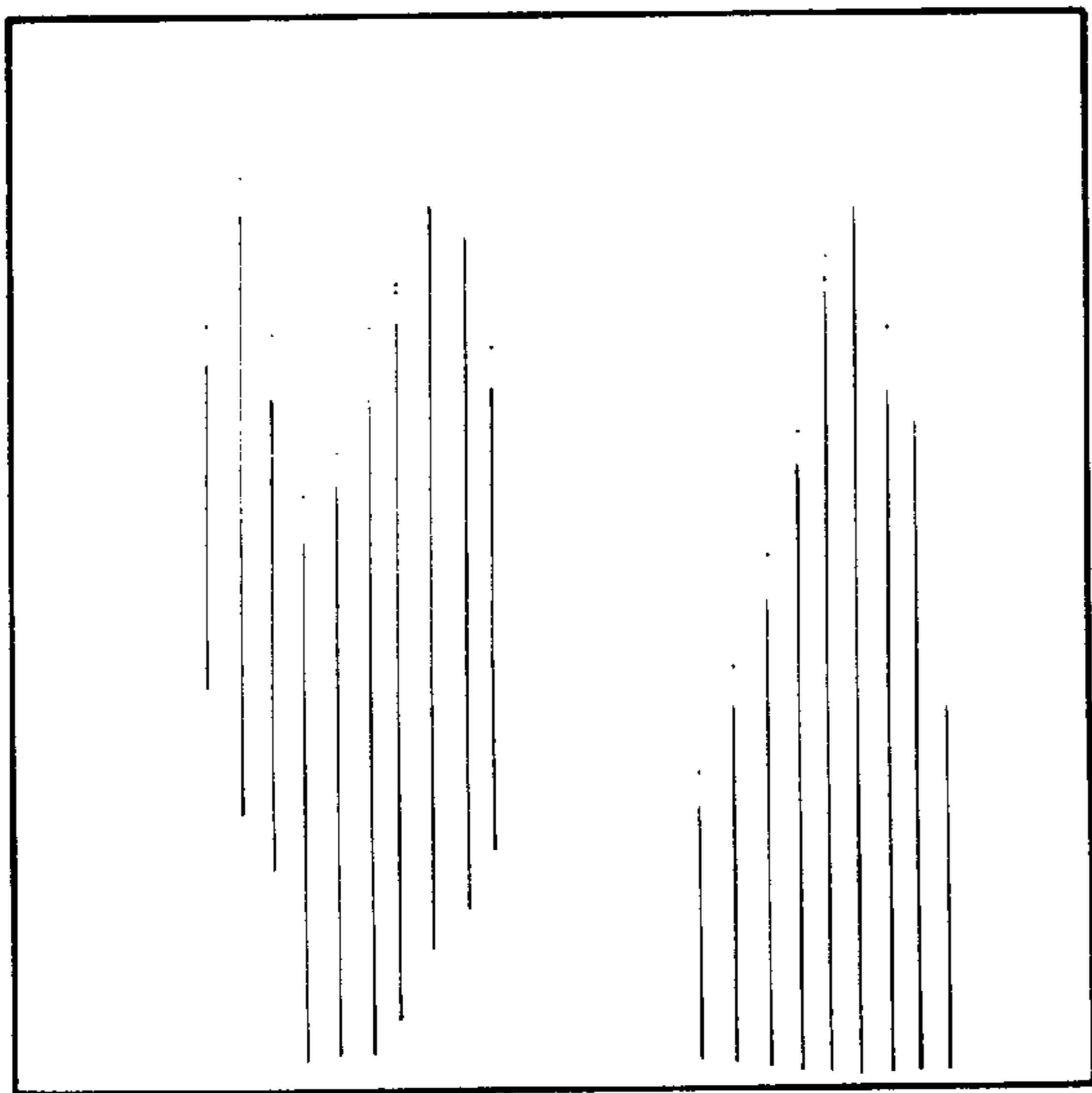


FIG. 3

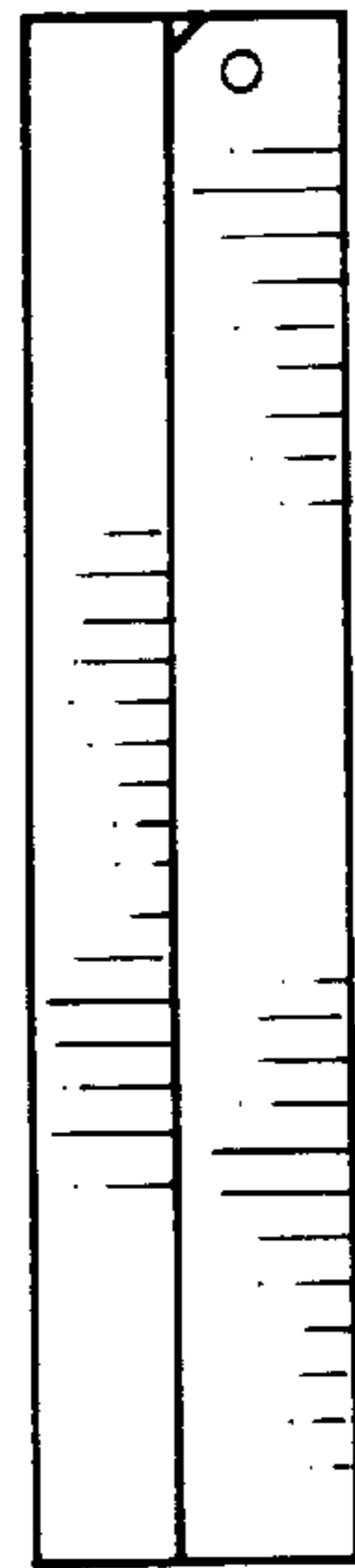


FIG. 4

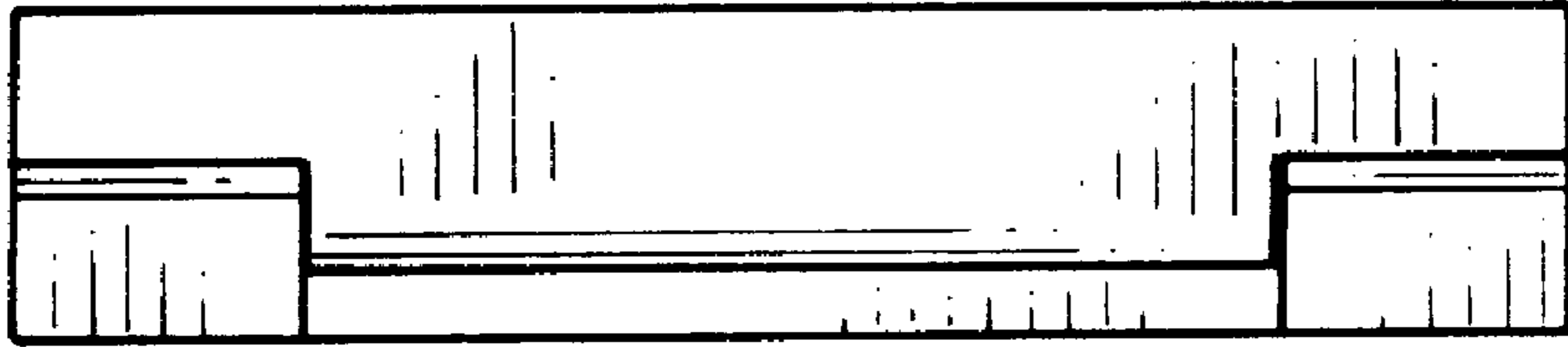


FIG. 5

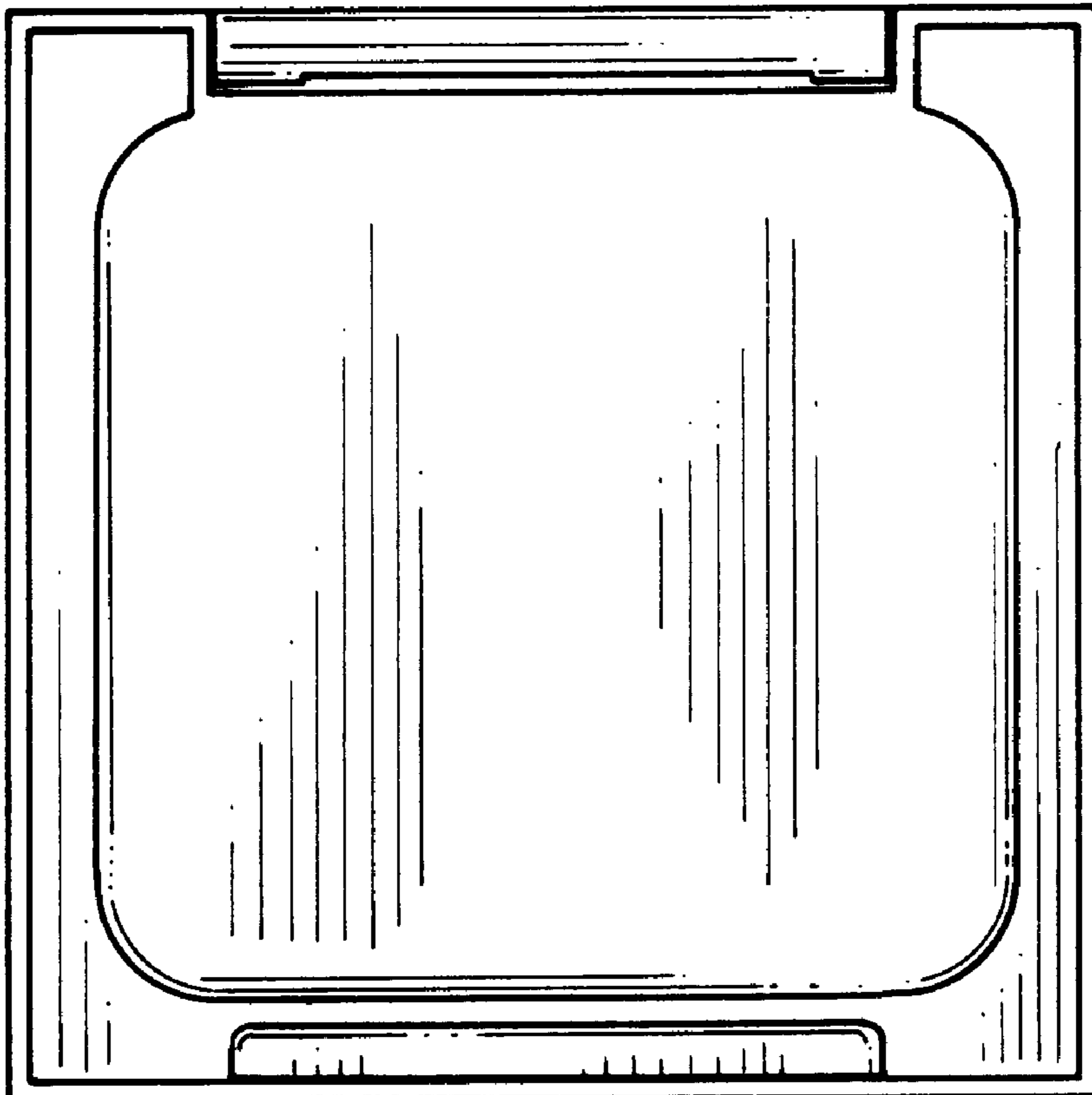


FIG. 6

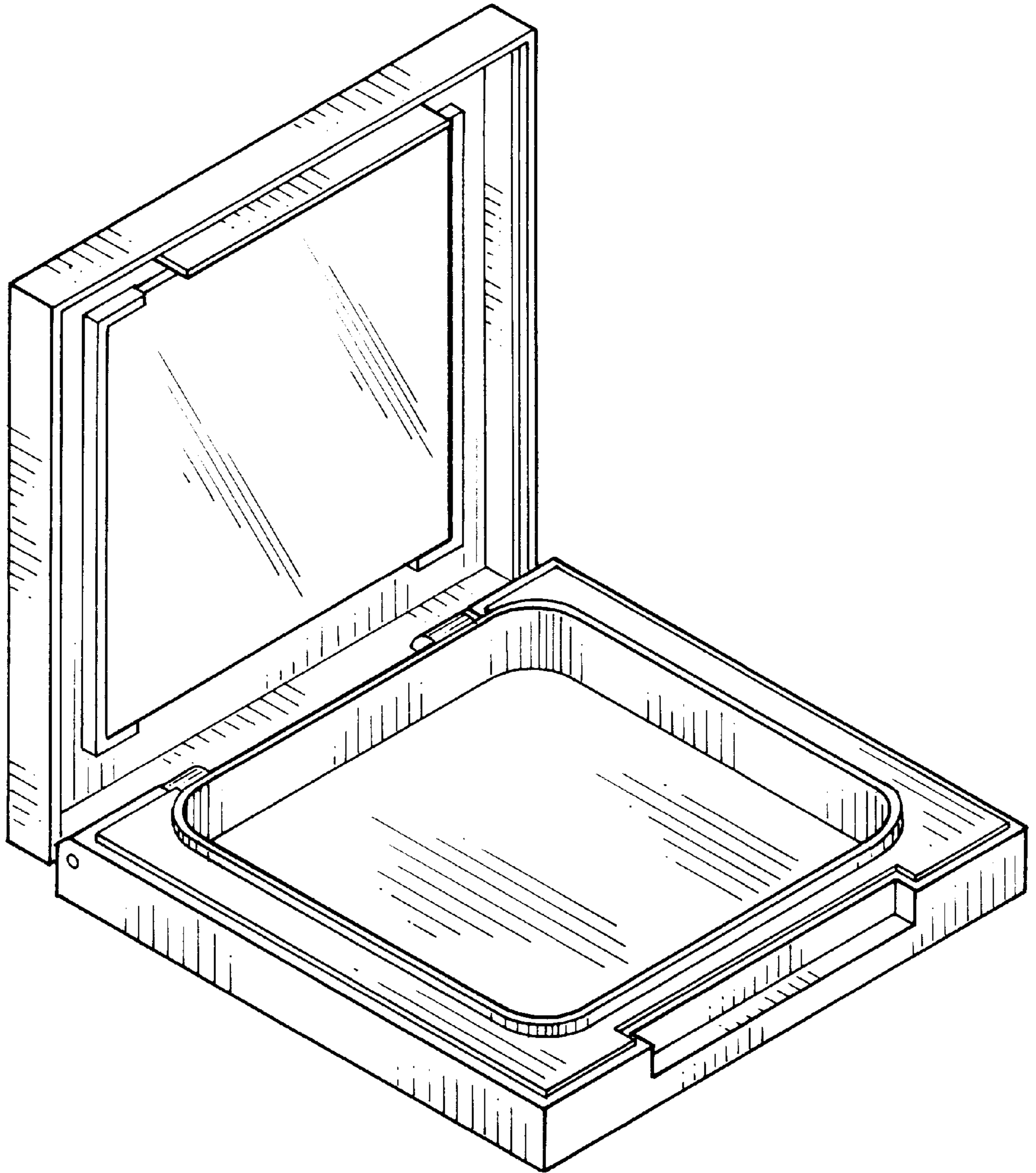


FIG. 7