



US00D422118S

United States Patent [19]
Kitagawa et al.

[11] **Patent Number: Des. 422,118**

[45] **Date of Patent: ** Mar. 28, 2000**

[54] **ELECTRIC SHAVER**

[75] Inventors: **Keiichi Kitagawa**, Chiba-ken; **Shinji Yamamoto**, Kanagawa-ken, both of Japan

[73] Assignee: **Matsushita Electric Works, Ltd.**, Osaka-fu, Japan

[**] Term: **14 Years**

[21] Appl. No.: **29/093,249**

[22] Filed: **Sep. 8, 1998**

[30] **Foreign Application Priority Data**

Mar. 17, 1998 [JP] Japan 10-7578

[51] **LOC (6) Cl.** **28-03**

[52] **U.S. Cl.** **D28/51**

[58] **Field of Search** D28/49-53; 30/34.05, 30/34.1, 34.2, 42, 43, 43.1-43.9, 43.91, 43.92, 45, 44

[56] **References Cited**

U.S. PATENT DOCUMENTS

- D. 305,807 1/1990 Ullmann D28/51
- D. 321,413 11/1991 Elkerbout D28/51
- D. 337,857 7/1993 Nakashima et al. D28/49
- D. 340,540 10/1993 Nakashima et al. D28/49
- D. 343,923 2/1994 Nakashima et al. D28/49
- D. 351,927 10/1994 Nakashima et al. D28/51
- D. 358,230 5/1995 Sulik et al. D28/49

- D. 377,997 2/1997 Nagano et al. D28/51
- D. 405,230 2/1999 Akashi et al. D28/49
- D. 408,585 4/1999 Watanabe et al. D28/49
- 4,926,552 5/1990 Otsuka et al. 30/43.92

FOREIGN PATENT DOCUMENTS

- 3-36061 10/1994 Japan .
- 3-39060 10/1994 Japan .
- 4-3307 10/1994 Japan .
- 5-38892 3/1996 Japan .
- 6-10657 10/1996 Japan .

Primary Examiner—Ted Shooman

Assistant Examiner—C Tuttle

Attorney, Agent, or Firm—Burns, Doane, Swecker & Mathis, L.L.P.

[57] **CLAIM**

The ornamental design for an electric shaver, as shown and described.

DESCRIPTION

FIG. 1 is a perspective view showing the front and a portion of the top and right side of our new design for an electric shaver;

FIG. 2 is a front elevational view thereof;

FIG. 3 is a rear elevational view thereof;

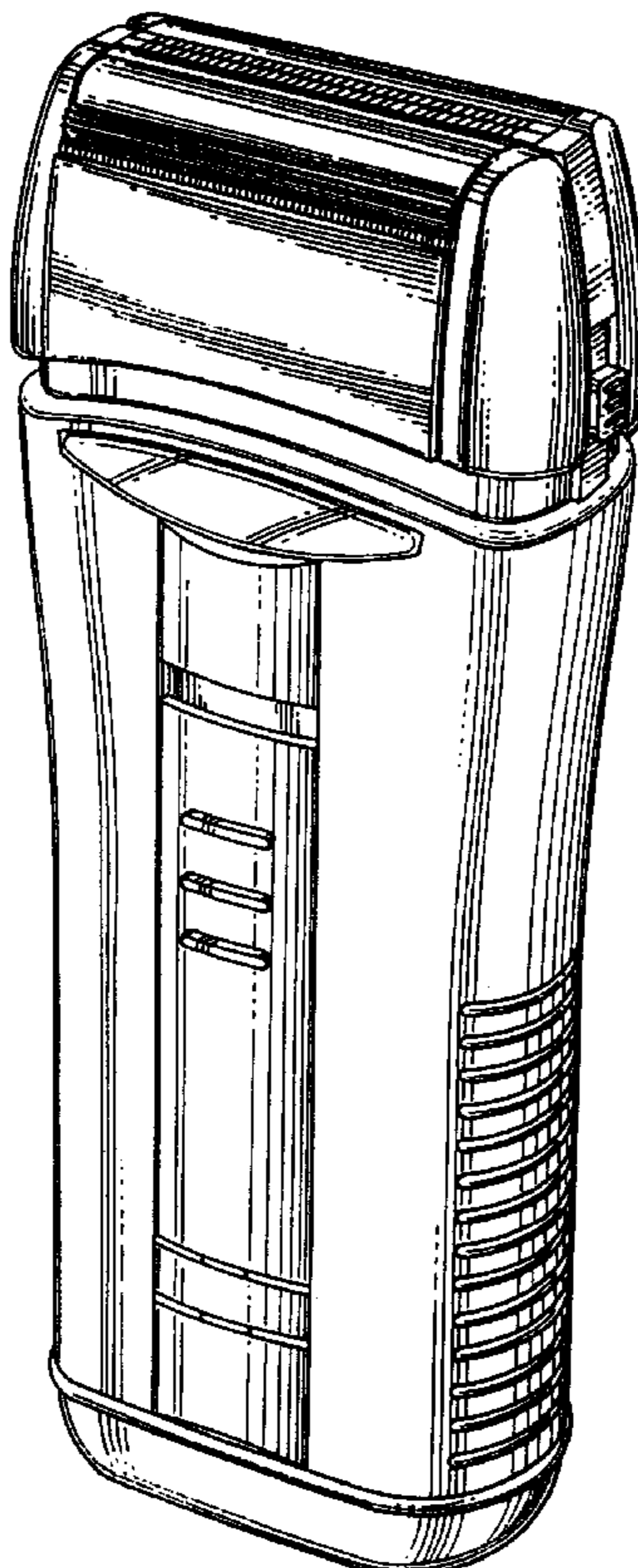
FIG. 4 is a left side elevational view thereof;

FIG. 5 is a right side elevational view thereof;

FIG. 6 is a top plan view thereof; and,

FIG. 7 is a bottom plan view thereof.

1 Claim, 4 Drawing Sheets



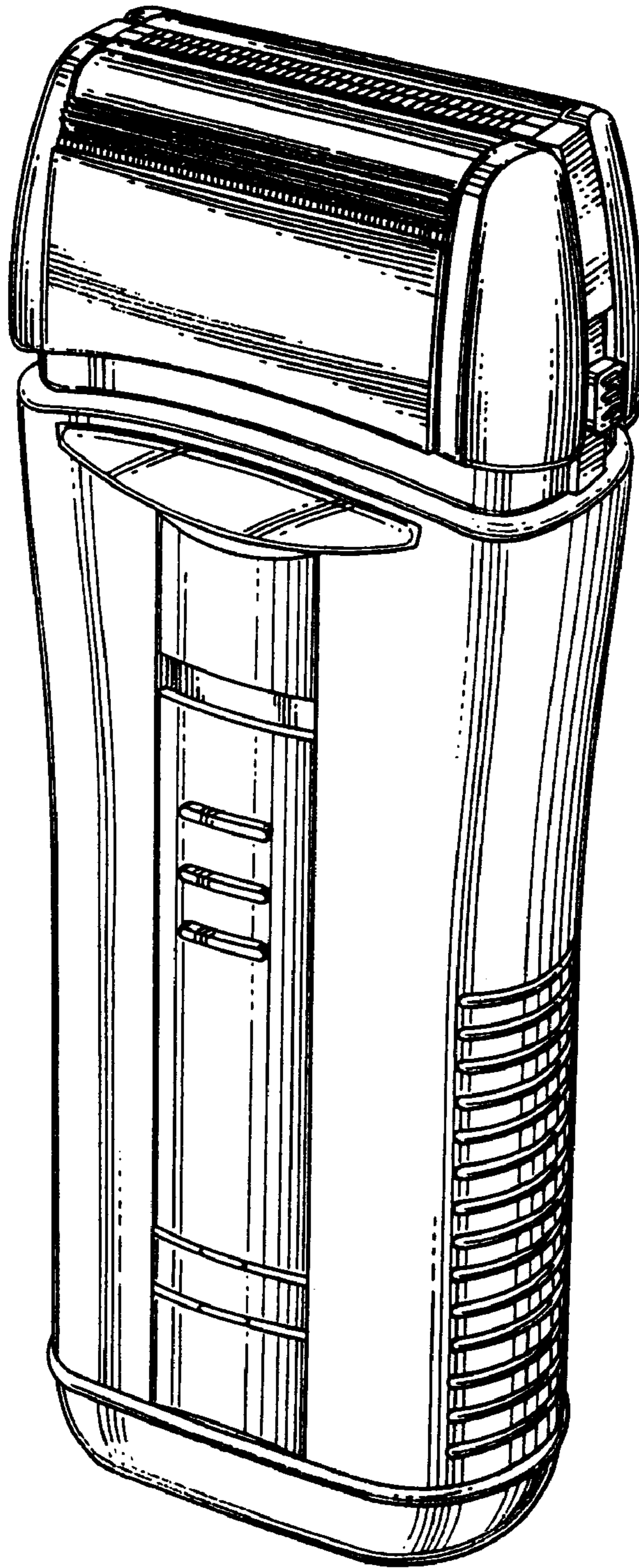


FIG. 1

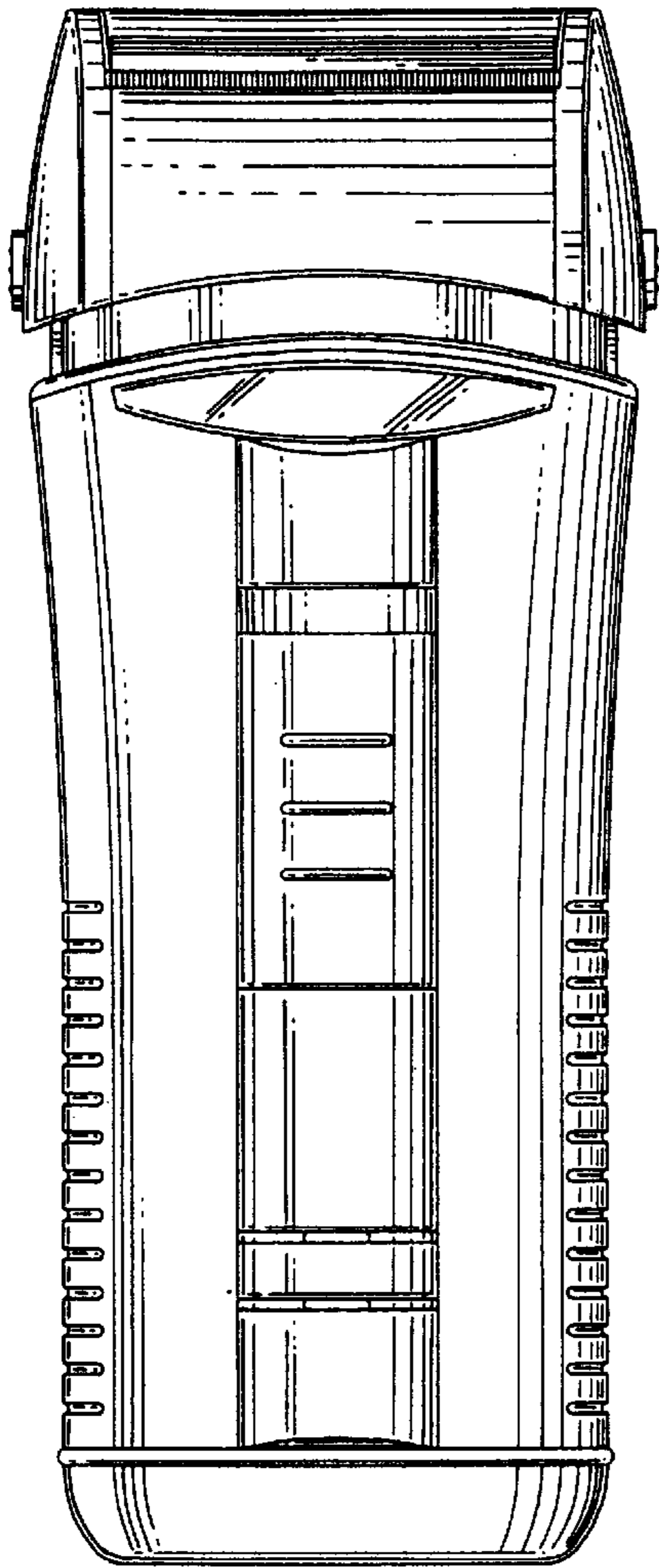


FIG. 2

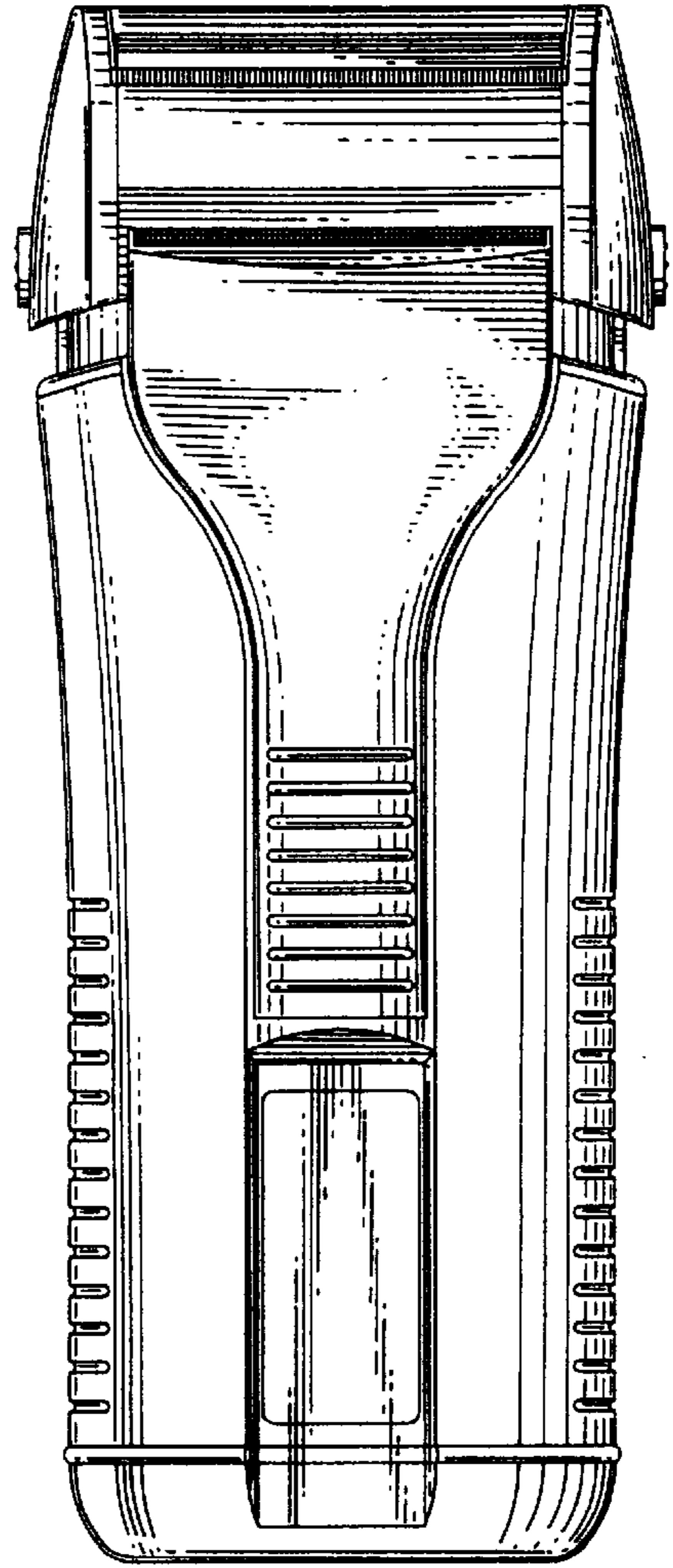


FIG. 3

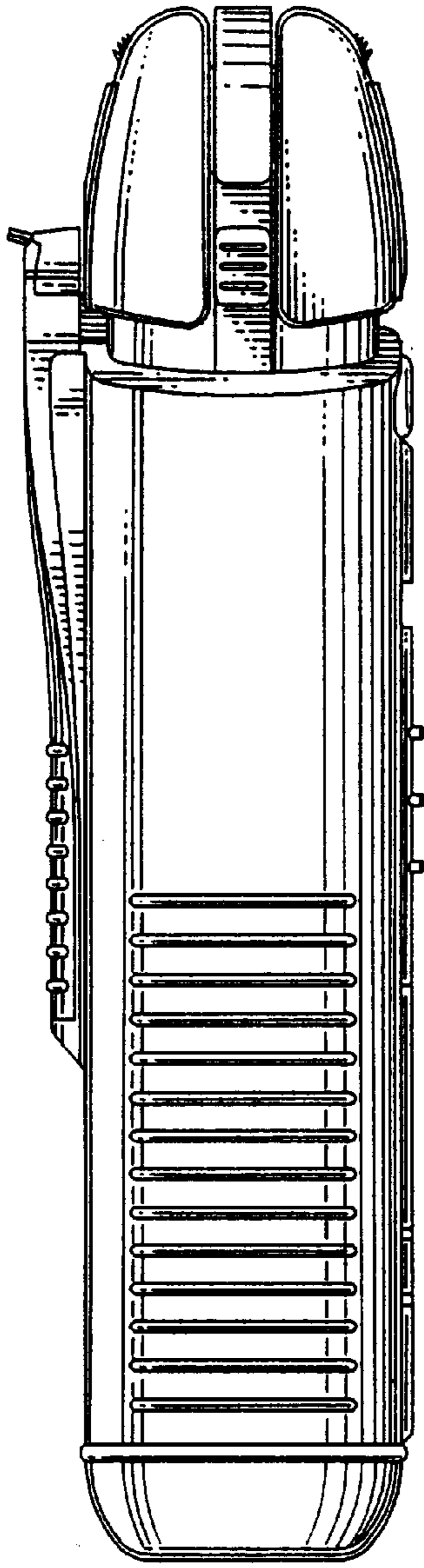


FIG. 4

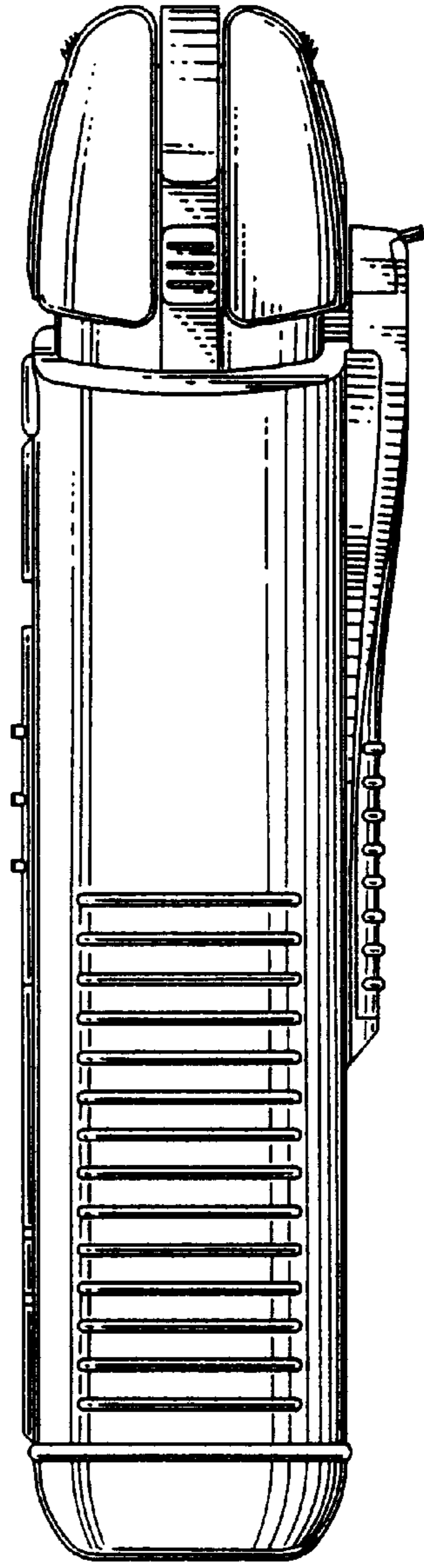


FIG. 5

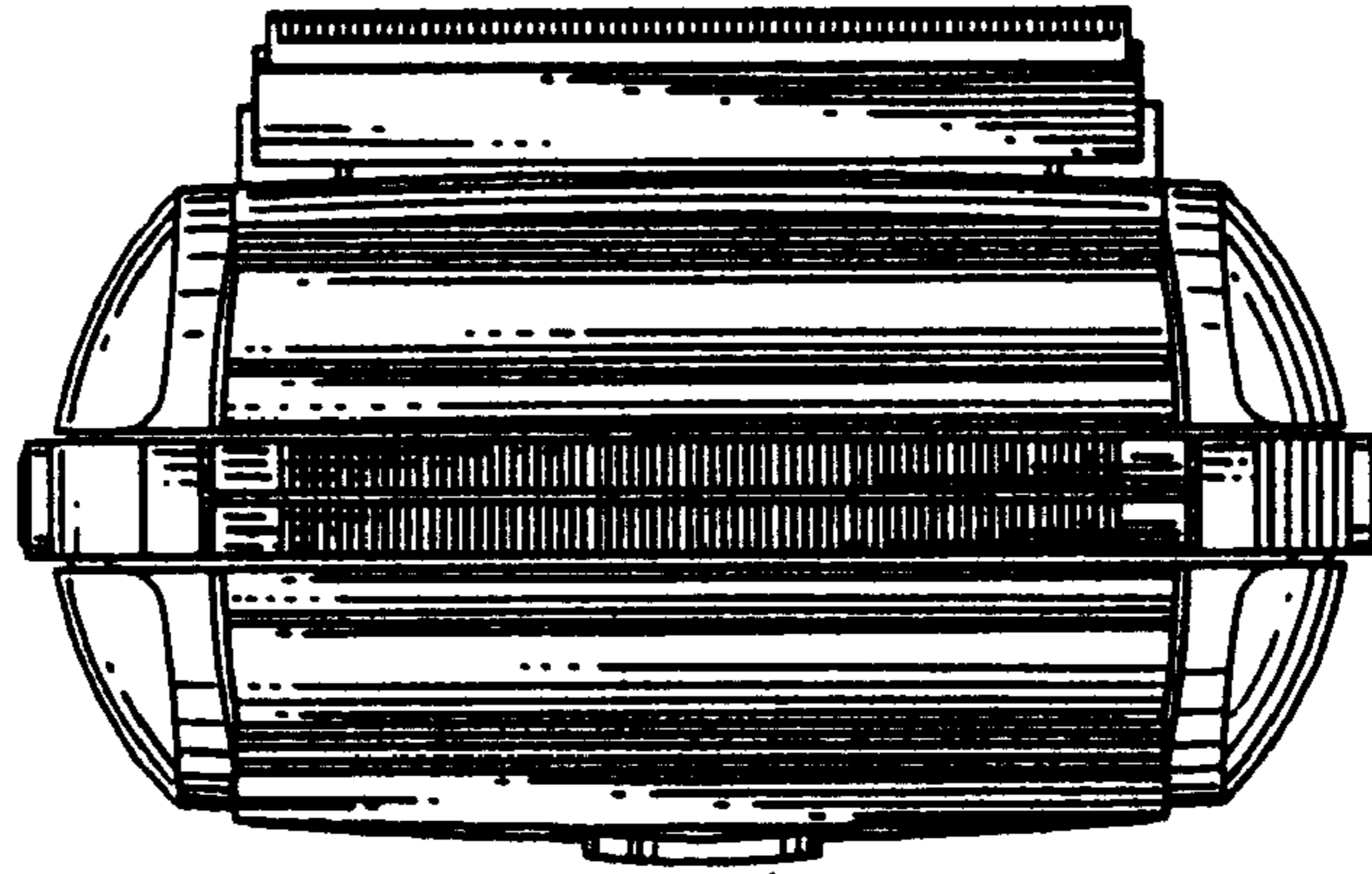


FIG. 6

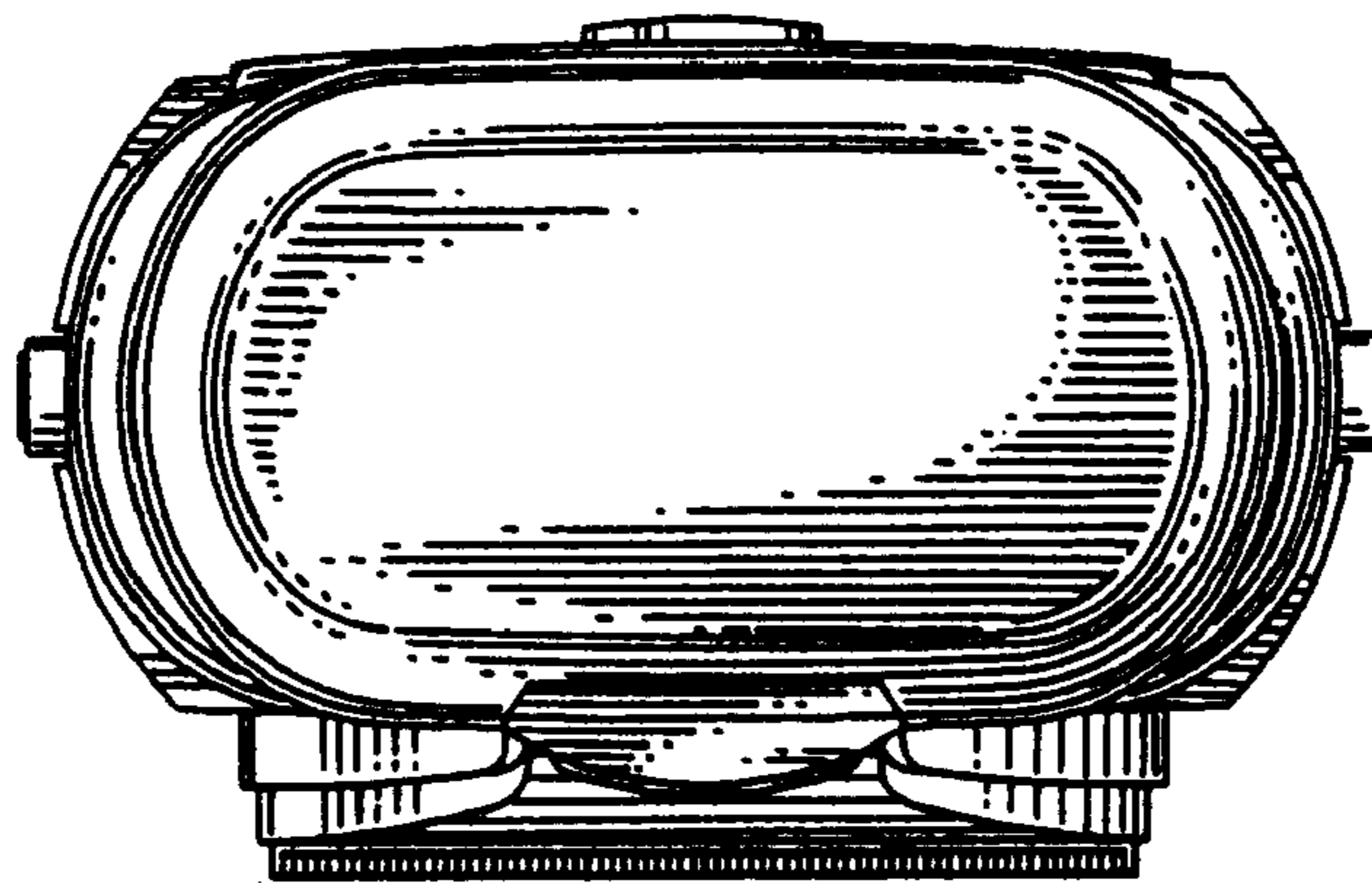


FIG. 7