



US00D422109S

United States Patent [19]

Littman et al.

[11] Patent Number: Des. 422,109

[45] Date of Patent: ** Mar. 28, 2000

[54] LIGHTING FIXTURE

[75] Inventors: Sandra E. Littman; Kirina S. Kaufman, both of New York, N.Y.

[73] Assignee: Sandy Littman, Inc., New York, N.Y.

[**] Term: 14 Years

[21] Appl. No.: 29/104,962

[22] Filed: May 14, 1999

Related U.S. Application Data

[62] Division of application No. 29/095,037, Oct. 15, 1998, which is a division of application No. 29/078,086, Oct. 17, 1997, Pat. No. Des. 400,285, which is a division of application No. 29/048,318, Dec. 26, 1995, Pat. No. Des. 386,806.

[51] LOC (6) Cl. 26-05

[52] U.S. Cl. D26/87

[58] Field of Search D26/72, 85, 87, D26/92; 362/147, 432

[56] References Cited

U.S. PATENT DOCUMENTS

D. 395,729 6/1998 Littman et al. D26/87

OTHER PUBLICATIONS

Home Decorators Collection, p. 37, Wall Lamp #5193,1995. Progress Lighting catalog, p. 54, wall lamp #P3805, 1988. Railley Corp. Pin-it-up lamp, top, right wall lamp, Jan. 1936.

Primary Examiner—Susan J. Lucas
Attorney, Agent, or Firm—Schweitzer Corman Gross & Bondell LLP

[57] CLAIM

We claim the ornamental design of a lighting fixture, as shown and described.

DESCRIPTION

FIG. 1 is a front elevational view embodying our design for a lighting fixture;
FIG. 2 is a side elevational view thereof;
FIG. 3 is a top plan view thereof;
FIG. 4 is a bottom plan view thereof; and,
FIG. 5 is a rear elevational view thereof.

The broken lines are shown for illustrative purposes only and form no part of the claimed design.

1 Claim, 4 Drawing Sheets

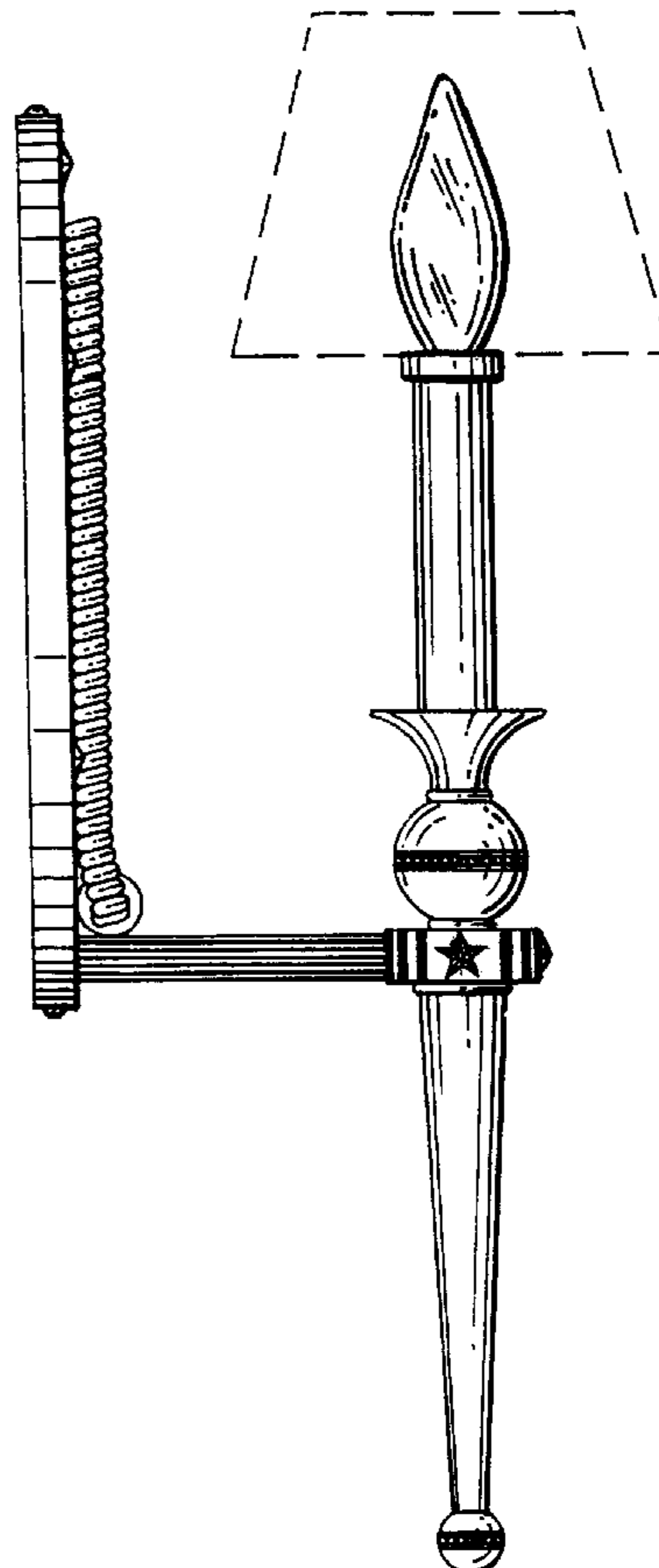
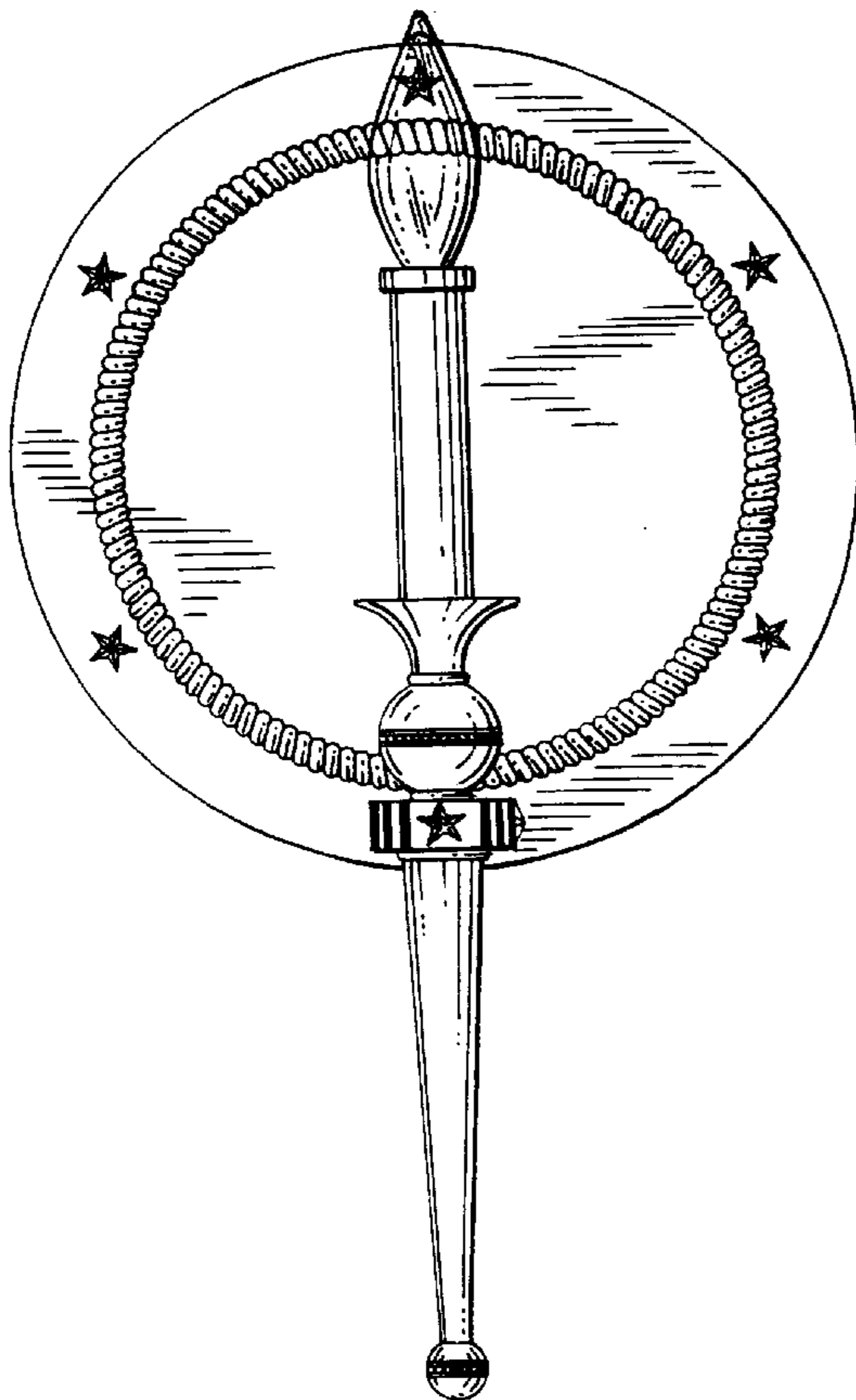


FIG. 1

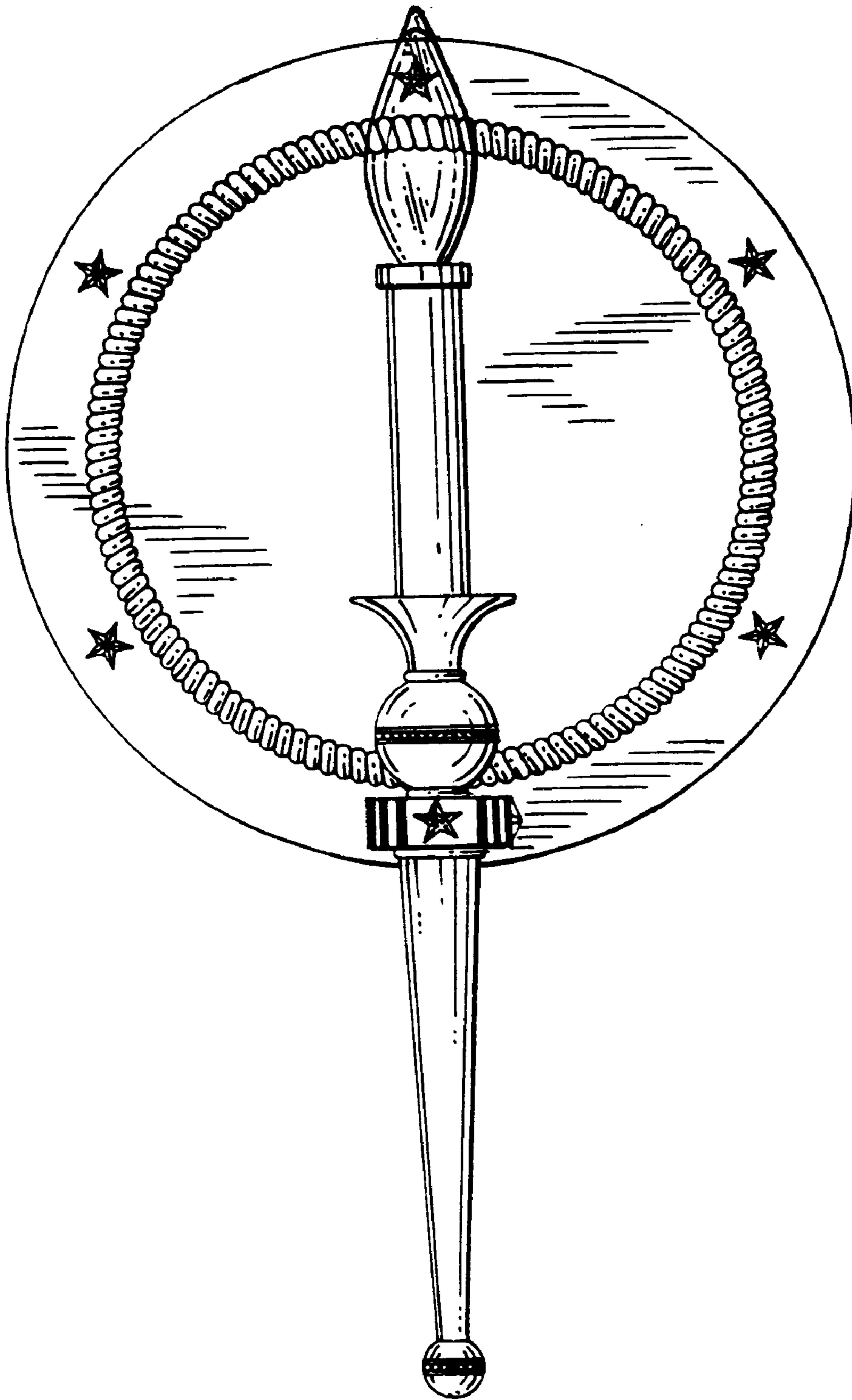


FIG. 2

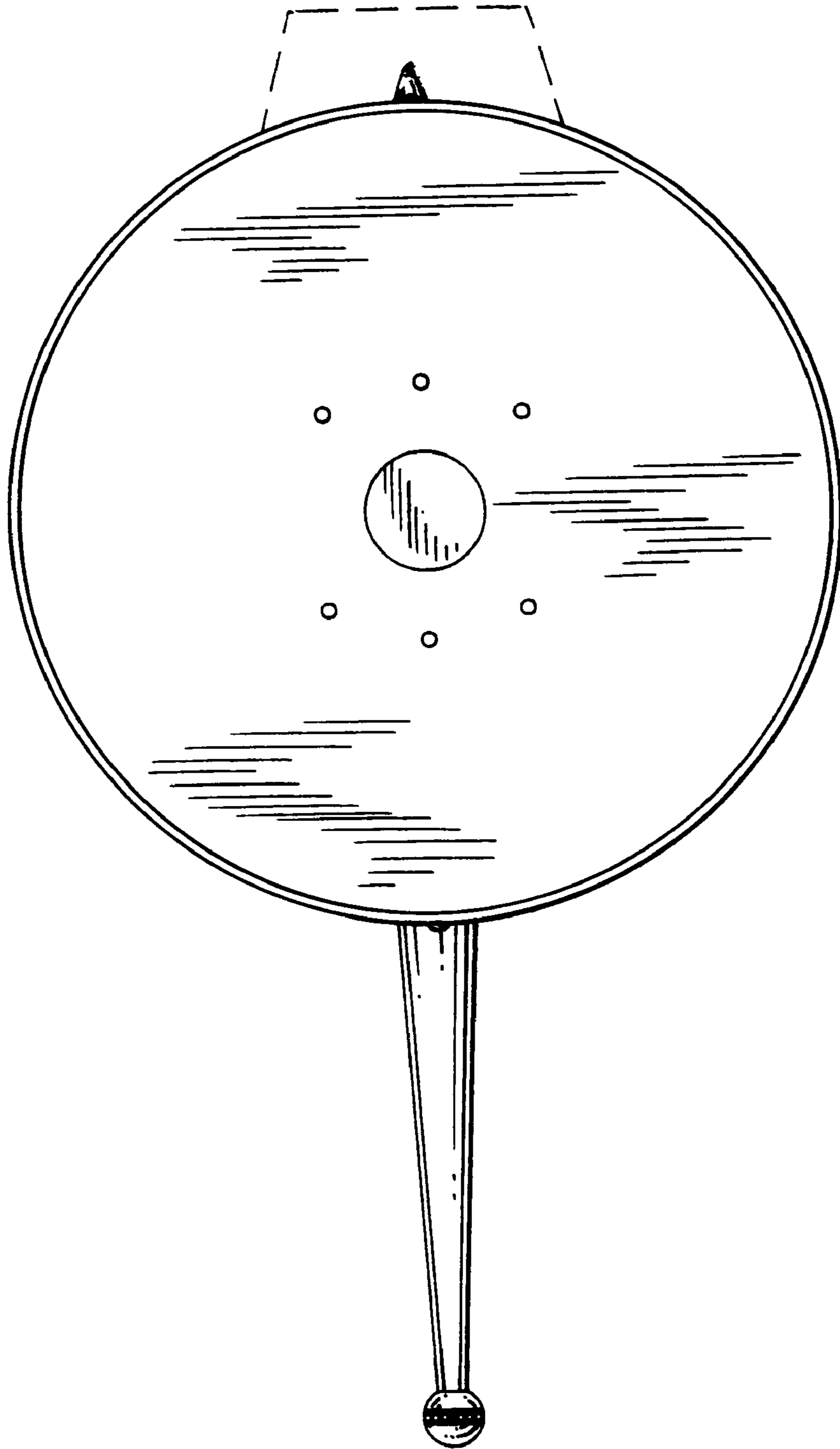


FIG. 3

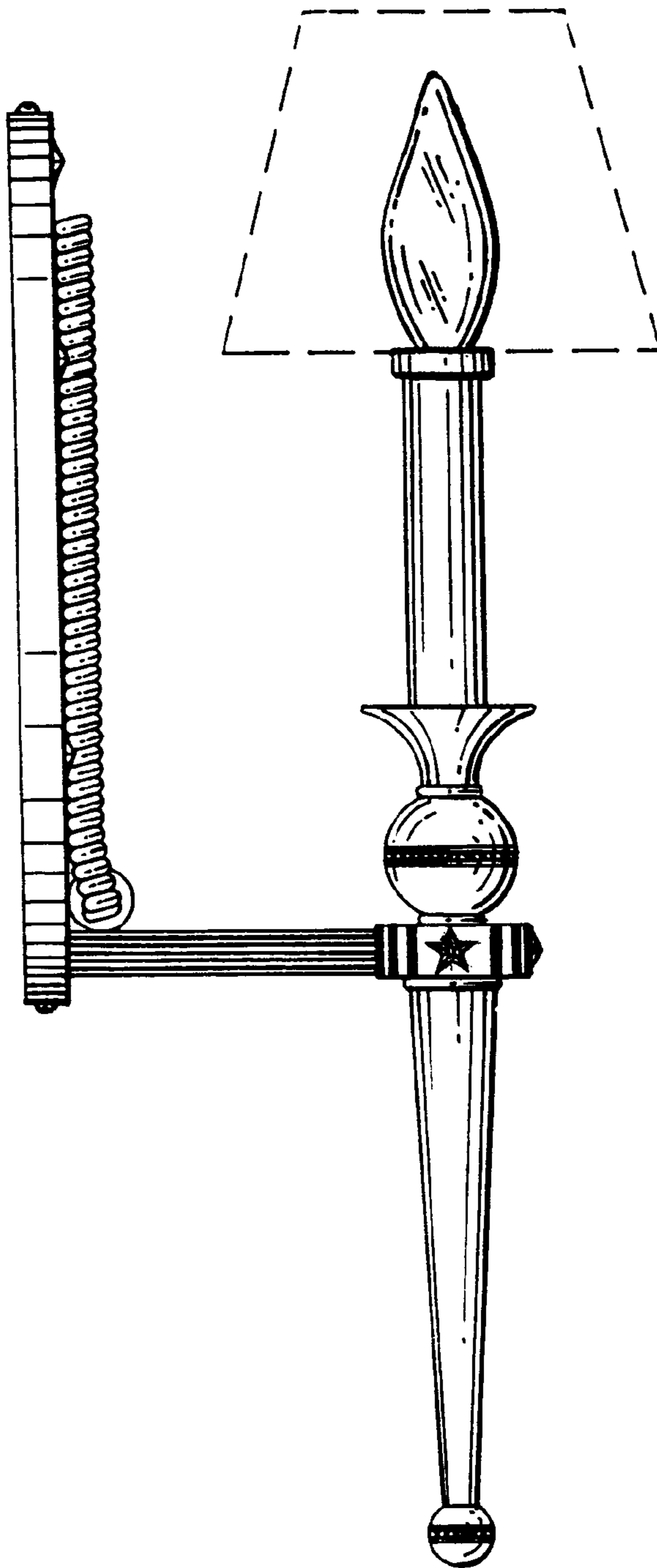


FIG. 4

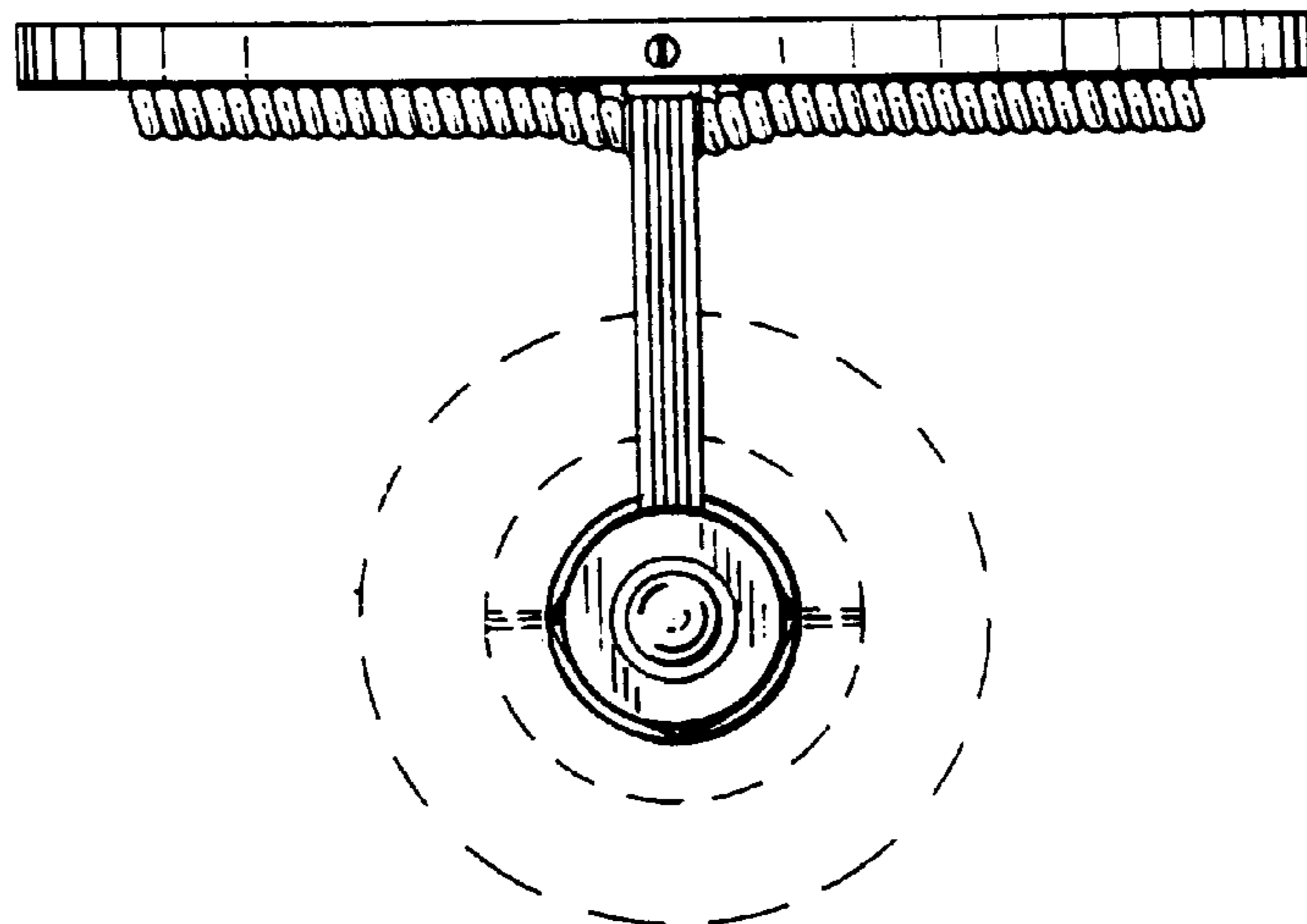
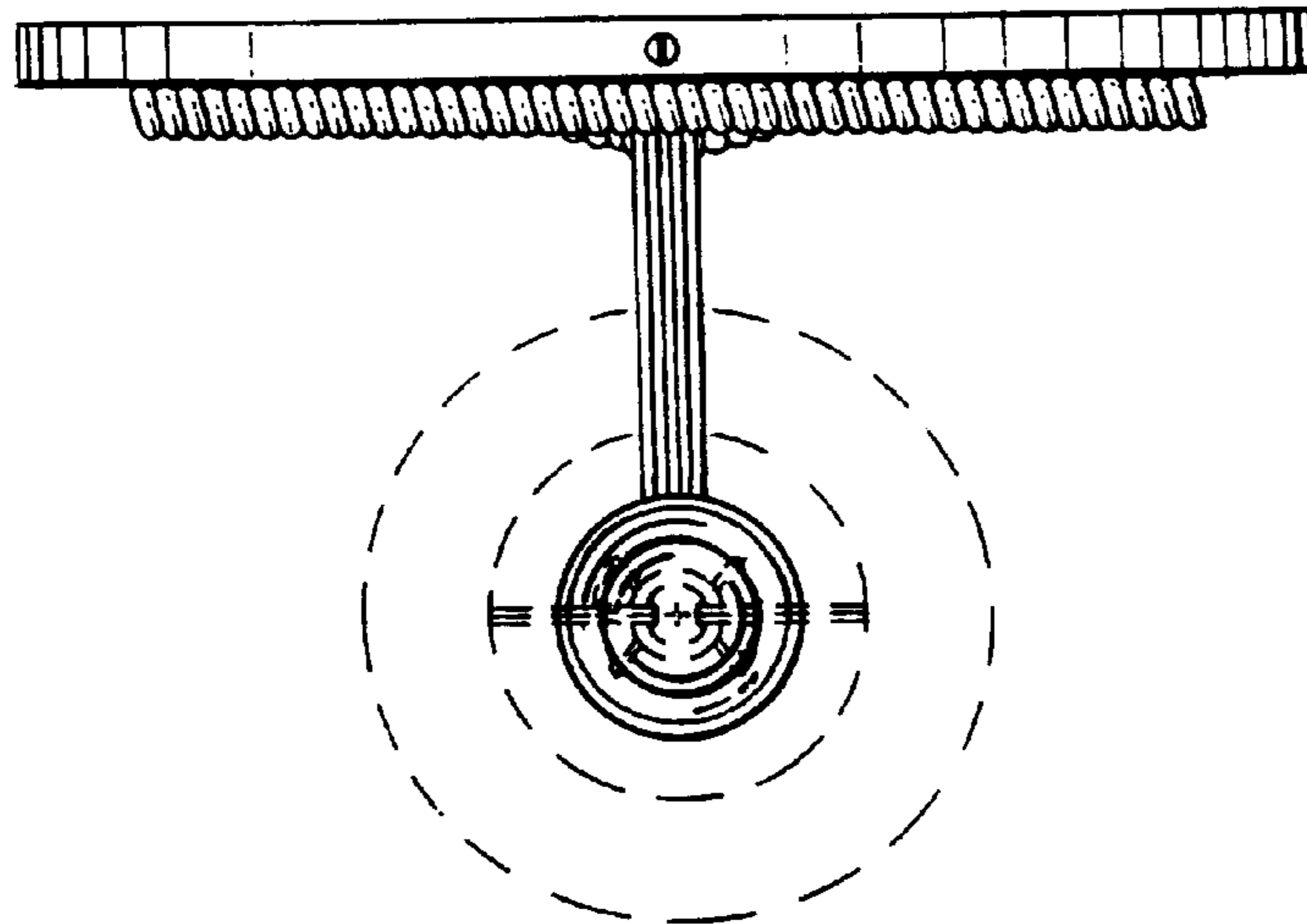


FIG. 5