



US00D422108S

**United States Patent** [19]  
**Hsieh**

[11] **Patent Number: Des. 422,108**

[45] **Date of Patent: \*\* Mar. 28, 2000**

[54] **BATH LAMP**

*Attorney, Agent, or Firm—Rosenberg, Klein & Lee*

[76] Inventor: **Freda Hsieh**, No. 2, Ning Hsia East  
2nd Street, Taichung, Taiwan

[57] **CLAIM**

[\*\*] Term: **14 Years**

The ornamental design for a bath lamp (1), as shown and described.

[21] Appl. No.: **29/103,727**

**DESCRIPTION**

[22] Filed: **Apr. 21, 1999**

[51] **LOC (6) Cl.** ..... **26-05**

FIG. 1 is a perspective view of bath lamp (1) showing my new design;

[52] **U.S. Cl.** ..... **D26/87**

FIG. 2 is a front elevation view thereof;

[58] **Field of Search** ..... D26/72, 80-92,  
D26/142, 143, 145, 155; 362/432, 147

FIG. 3 is a rear elevation view thereof;

[56] **References Cited**

FIG. 4 is a right side elevation view thereof;

**U.S. PATENT DOCUMENTS**

FIG. 5 is a left side elevation view thereof;

- D. 396,322 7/1998 Miranda ..... D26/142
- D. 408,940 4/1999 De'Armond ..... D26/142

FIG. 6 is a top plan view thereof; and,

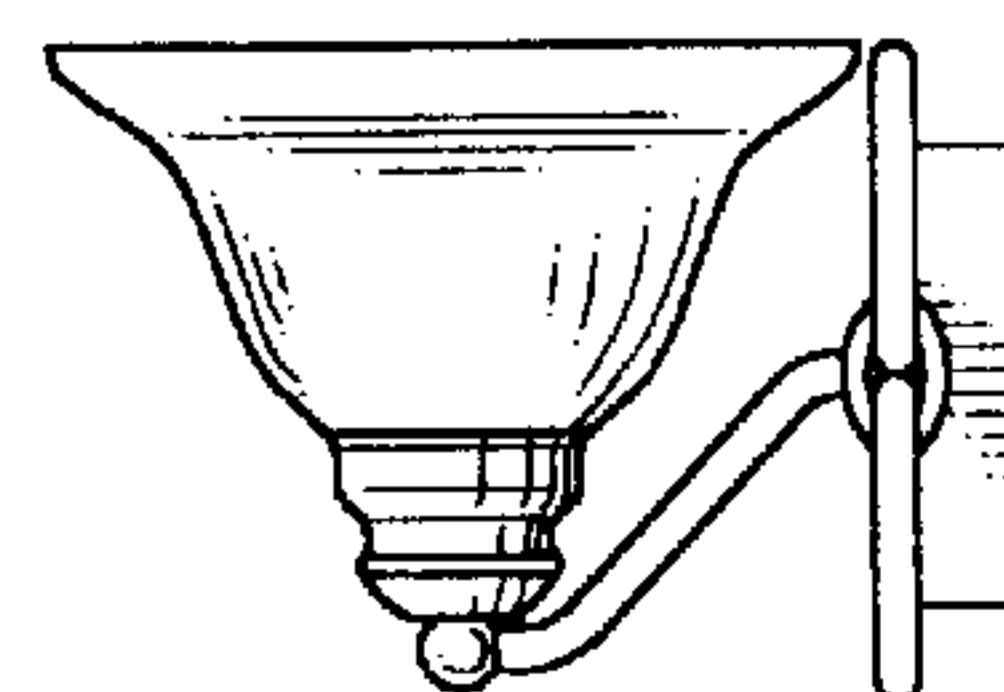
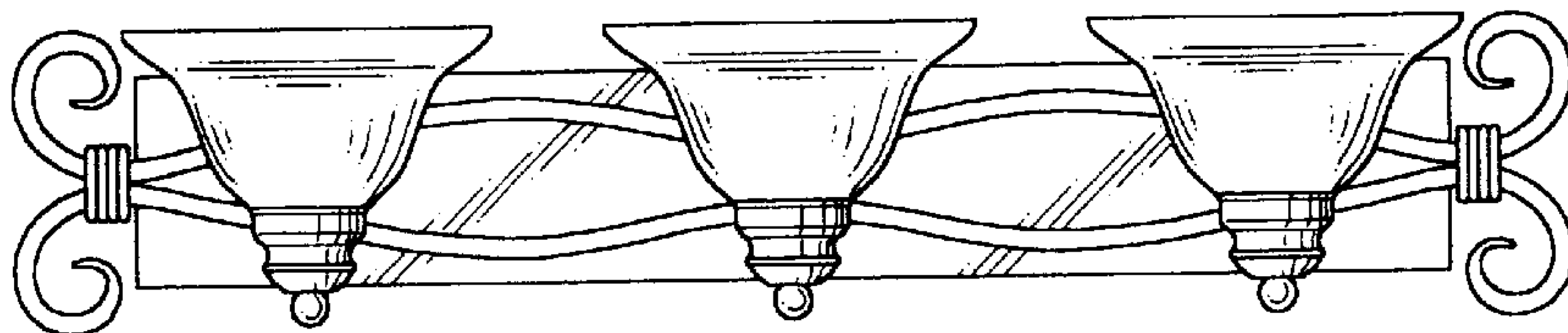
**OTHER PUBLICATIONS**

FIG. 7 is a bottom plan view thereof.

Forecast Lighting catalog, 1993, p. 64, wall lamp #4415-57.  
Sea Gull lighting catalog, 1996, p. 118, wall lamp #4762-02.

*Primary Examiner—Susan J. Lucas*

**1 Claim, 4 Drawing Sheets**



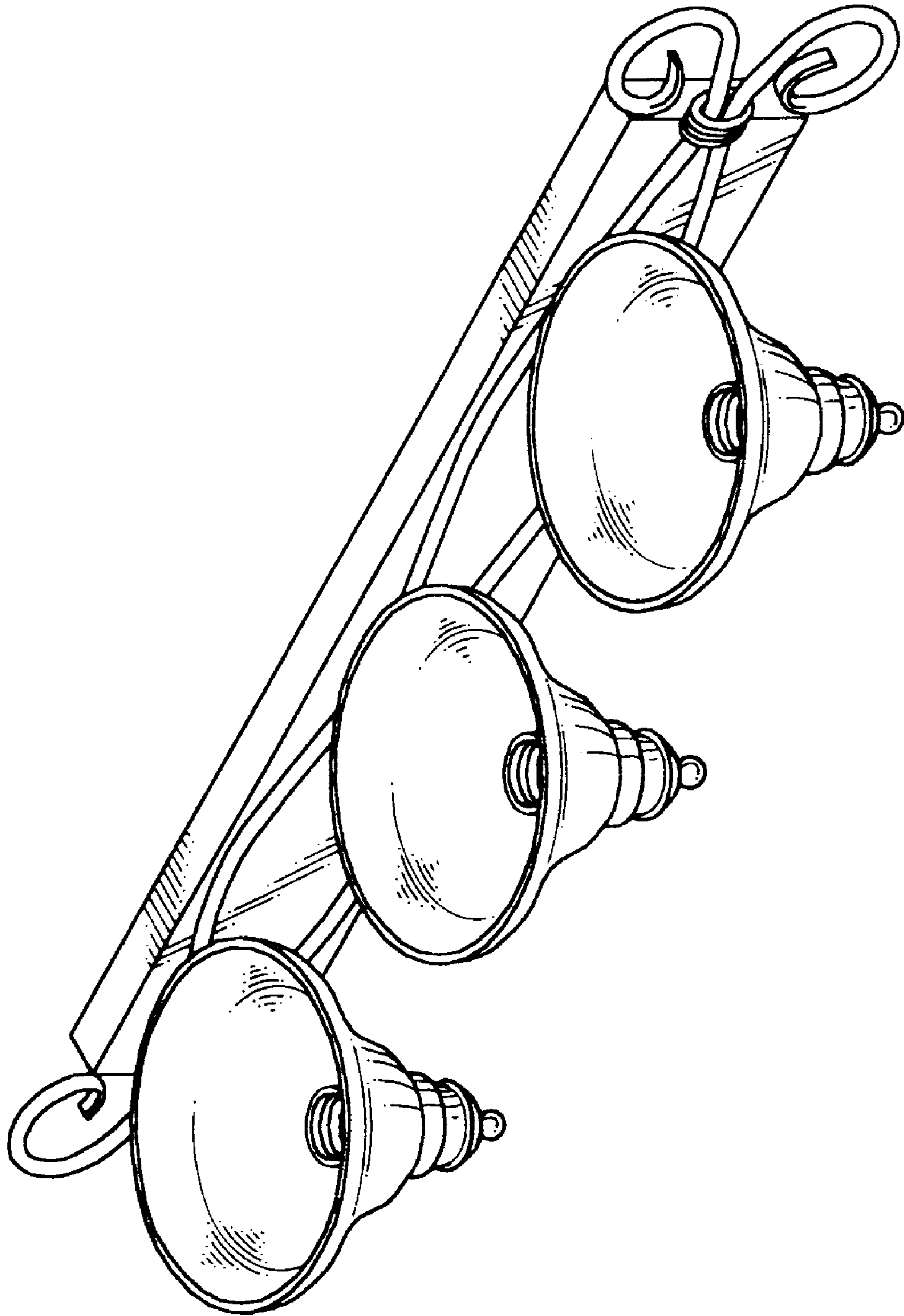


FIG. 1

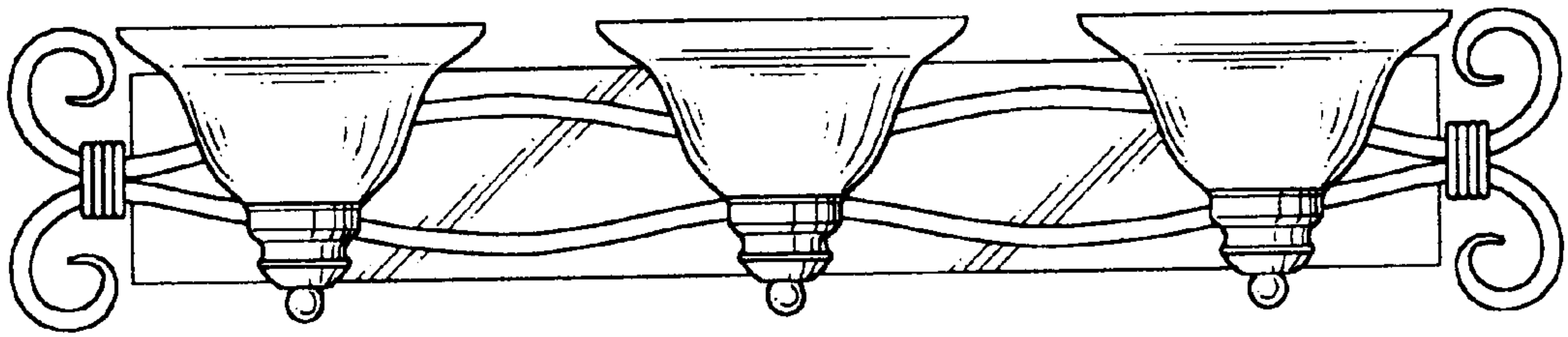


FIG. 2

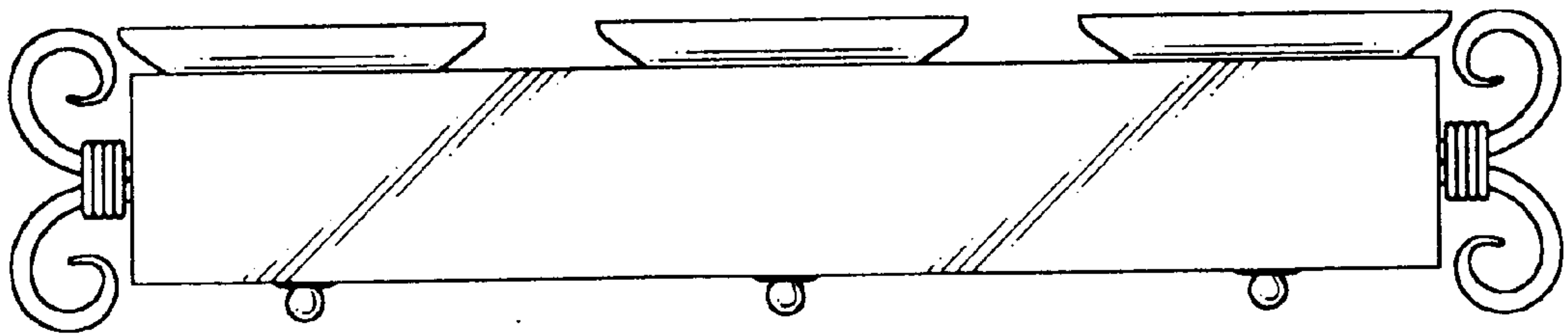


FIG. 3

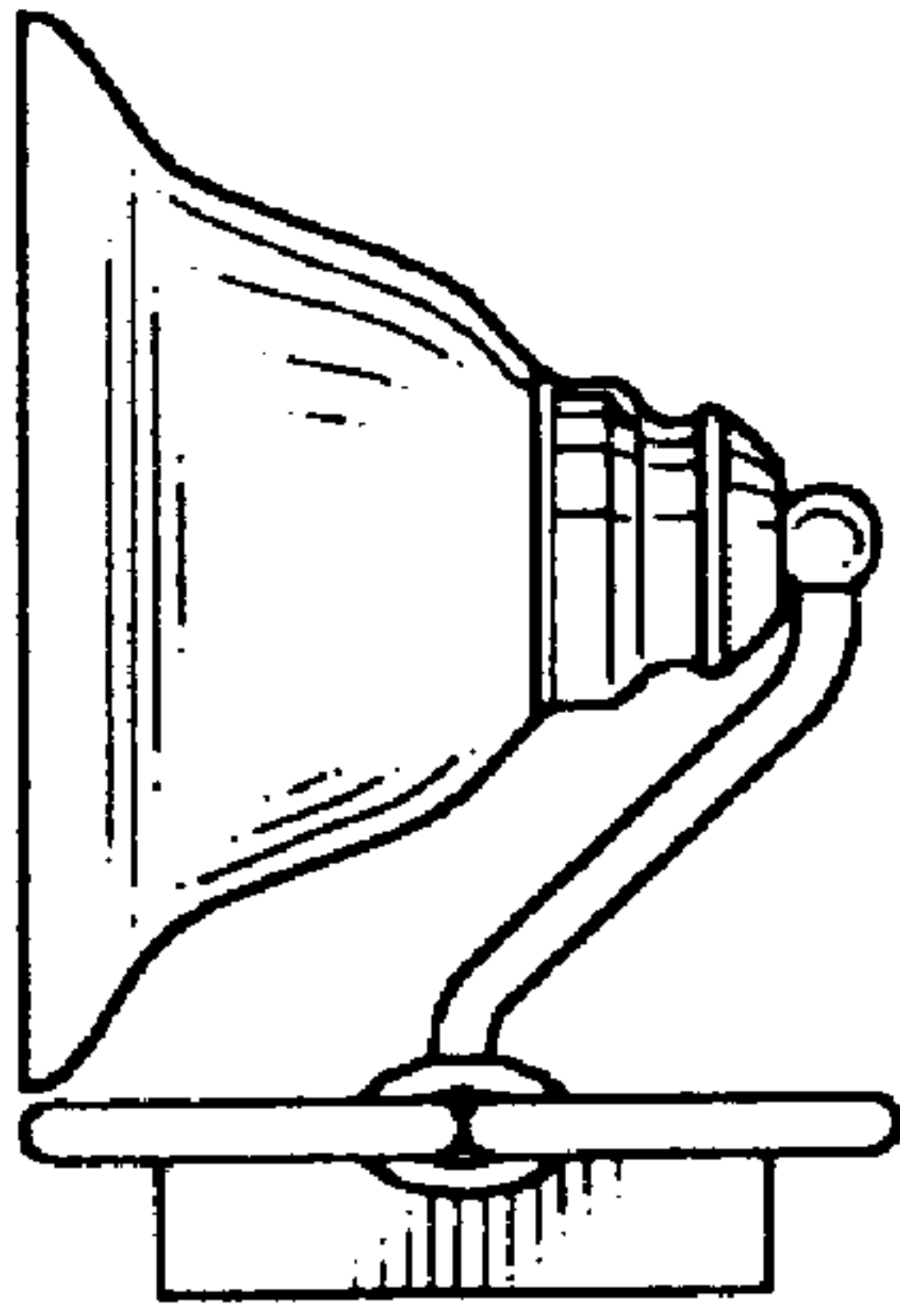


FIG. 5

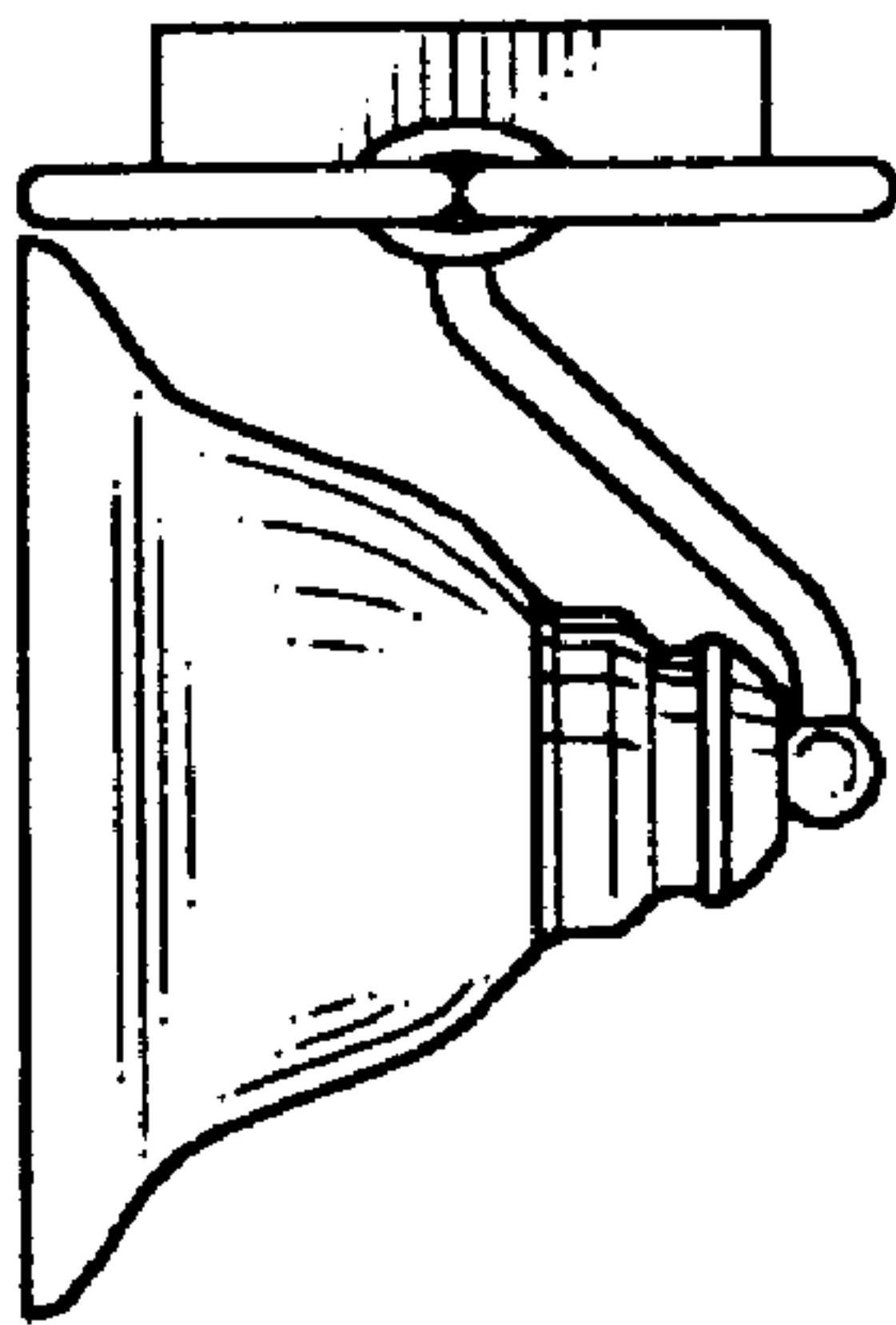


FIG. 4

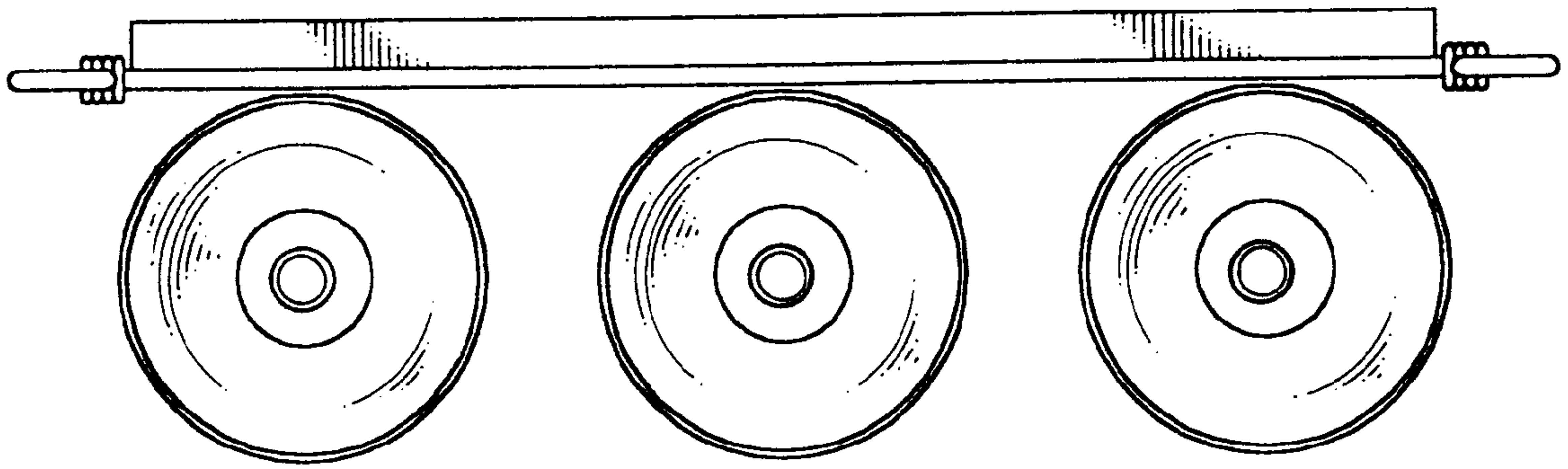


FIG. 6

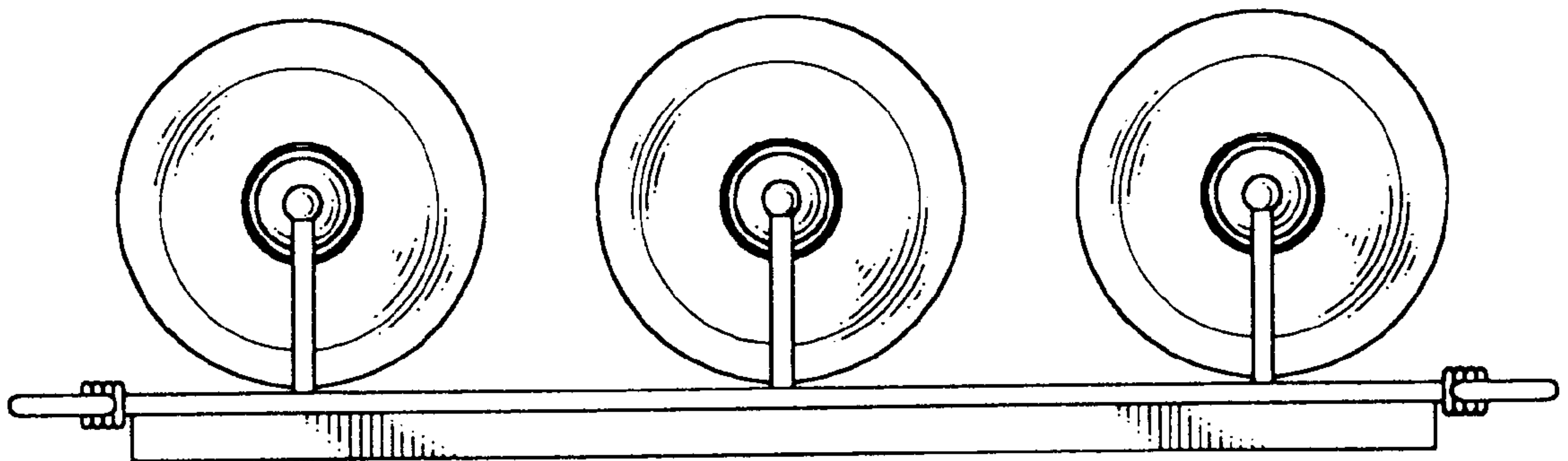


FIG. 7