



US00D422106S

# United States Patent [19]

Meck et al.

[11] Patent Number: Des. 422,106

[45] Date of Patent: \*\* Mar. 28, 2000

[54] **OUTDOOR LAMP**

[75] Inventors: **Leslie A. Meck**, Fleetwood; **Rockwood T. Roberts, III**, Shillington, both of Pa.

[73] Assignee: **Baldwin Hardware Corporation**, Reading, Pa.

[\*\*] Term: **14 Years**

[21] Appl. No.: **29/095,827**

[22] Filed: **Oct. 30, 1998**

[51] **LOC (6) Cl.** ..... **26-05**

[52] **U.S. Cl.** ..... **D26/87; D26/87**

[58] **Field of Search** ..... **D26/87, 72, 85, D26/88, 89, 92, 67-70; 362/147, 431, 432, 367, 363**

[56] **References Cited**

**U.S. PATENT DOCUMENTS**

D. 316,759 5/1991 Choi ..... D26/87

**OTHER PUBLICATIONS**

Bright lighting catalog, p. 76, wall lantern # 4010H, Jan. 1995.

Thomas lighting catalog, p. 104, wall lantern # M-5343, 1983.

Homecoming Troy Lighting Lantern Collection City of Industry, California pp. 23, 24, 20, 21, 28, 34, 60 prior to filing date.

Progress Lighting Spartanburg, South Carolina pp. 188, 161, 164, 168, 185, 184, 186, 196, 198 prior to filing date.

American Lantern Company Newport Arkansas pp. 48, 22, 45, 47, 43, 61, 62 prior to filing date.

Sea Gull Lighting Products, Inc. Riverside, New Jersey pp. 14, 20, 21, 17, 23 1993.

Hinkley Lighting, Inc. Cleveland, Ohio pp. 88, 94 1990.

Dinico Products, Inc. Hackensack, New Jersey pp. 31, 47 prior to filing date.

*Primary Examiner*—Susan J. Lucas

*Attorney, Agent, or Firm*—Myron B. Kapustij; Lloyd D. Doigan

[57] **CLAIM**

The ornamental design for an outdoor lamp, as shown and described.

**DESCRIPTION**

FIG. 1 is a front perspective view of an outdoor lamp showing our new design;

FIG. 2 is a front elevational view thereof;

FIG. 3 is a left side elevational view thereof, the right side being a mirror image;

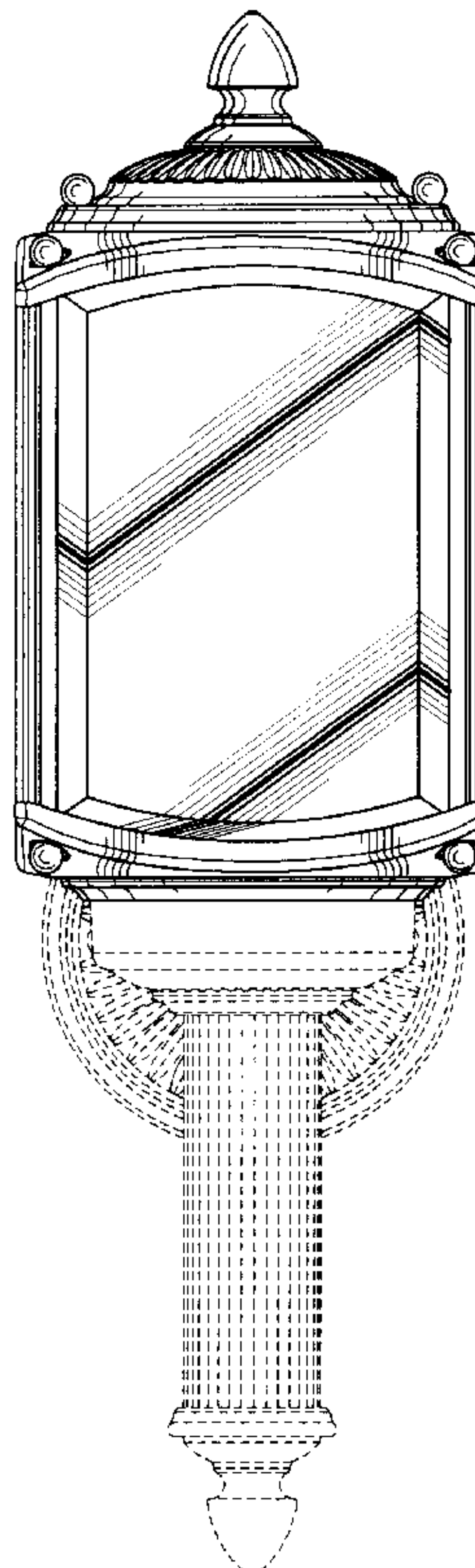
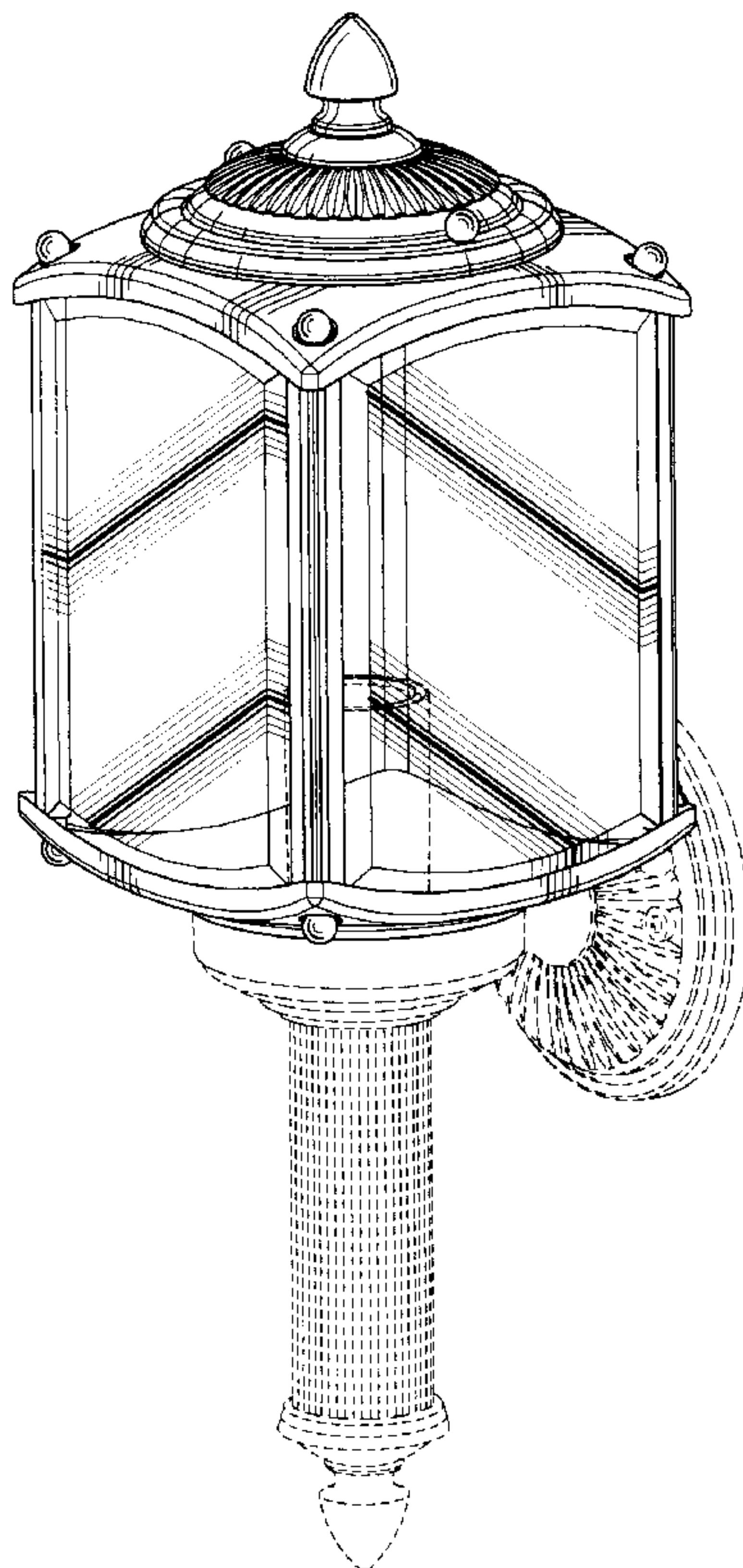
FIG. 4 is a top plan view thereof;

FIG. 5 is a bottom plan view thereof; and,

FIG. 6 is a rear elevational view thereof.

The broken line showing of the light bulb socket in FIG. 1, the tail in FIGS. 1, 2 and 3, and the base in FIGS. 1, 2, 3 and 4 are for purposes of illustration only and form no part of the claimed design.

**1 Claim, 3 Drawing Sheets**



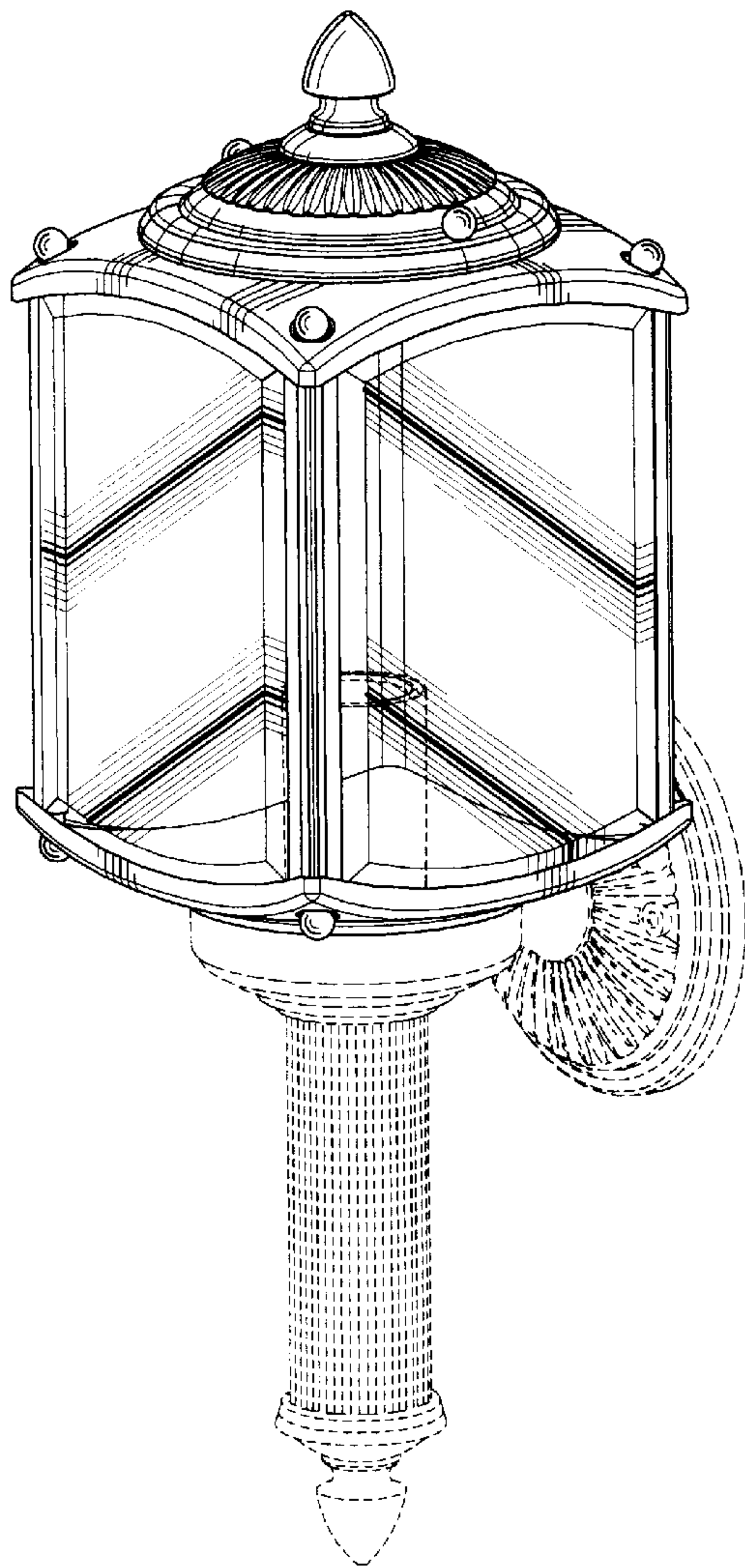


Fig-1

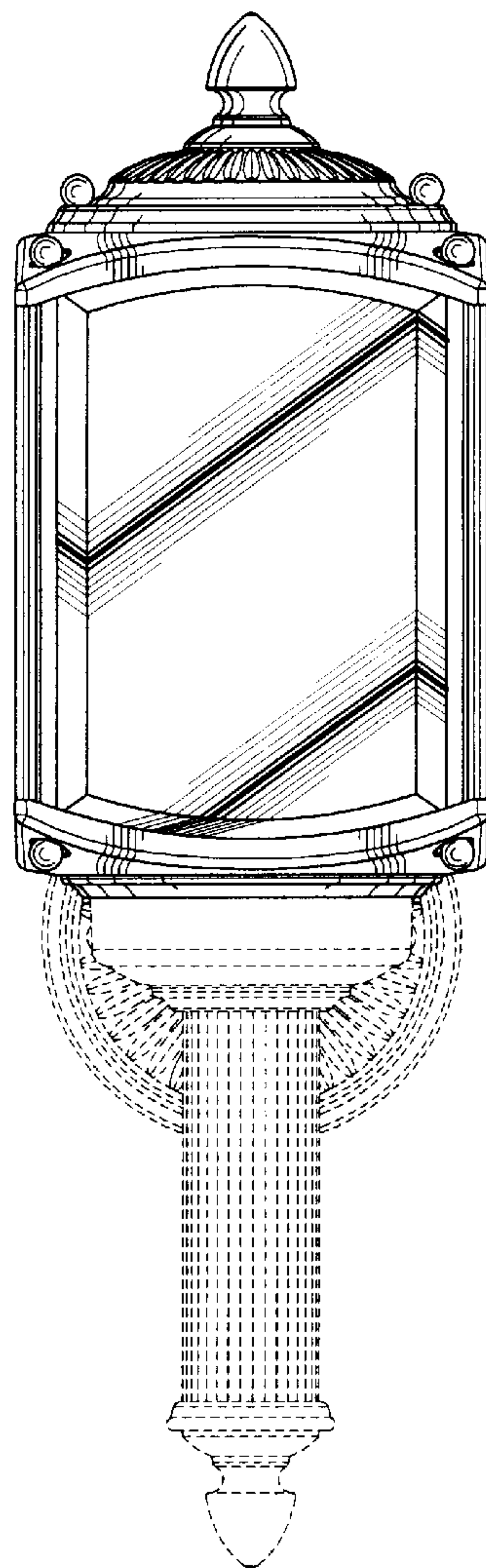


Fig-2



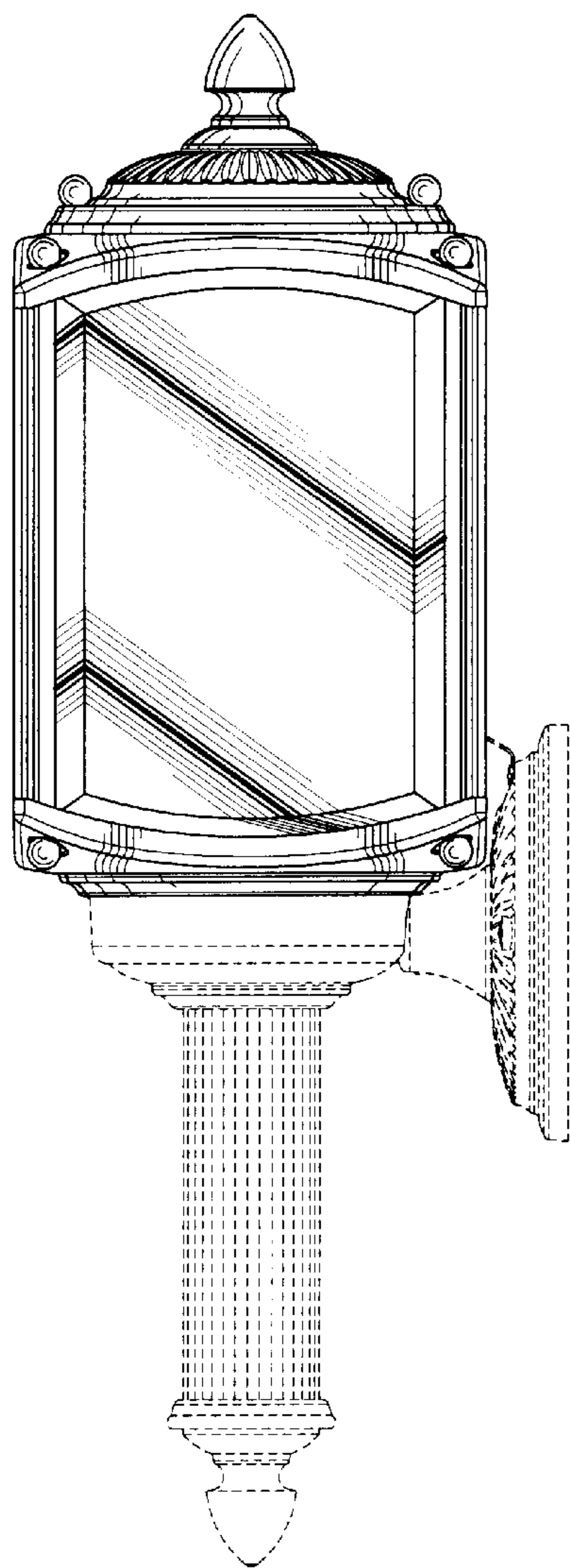


Fig-3

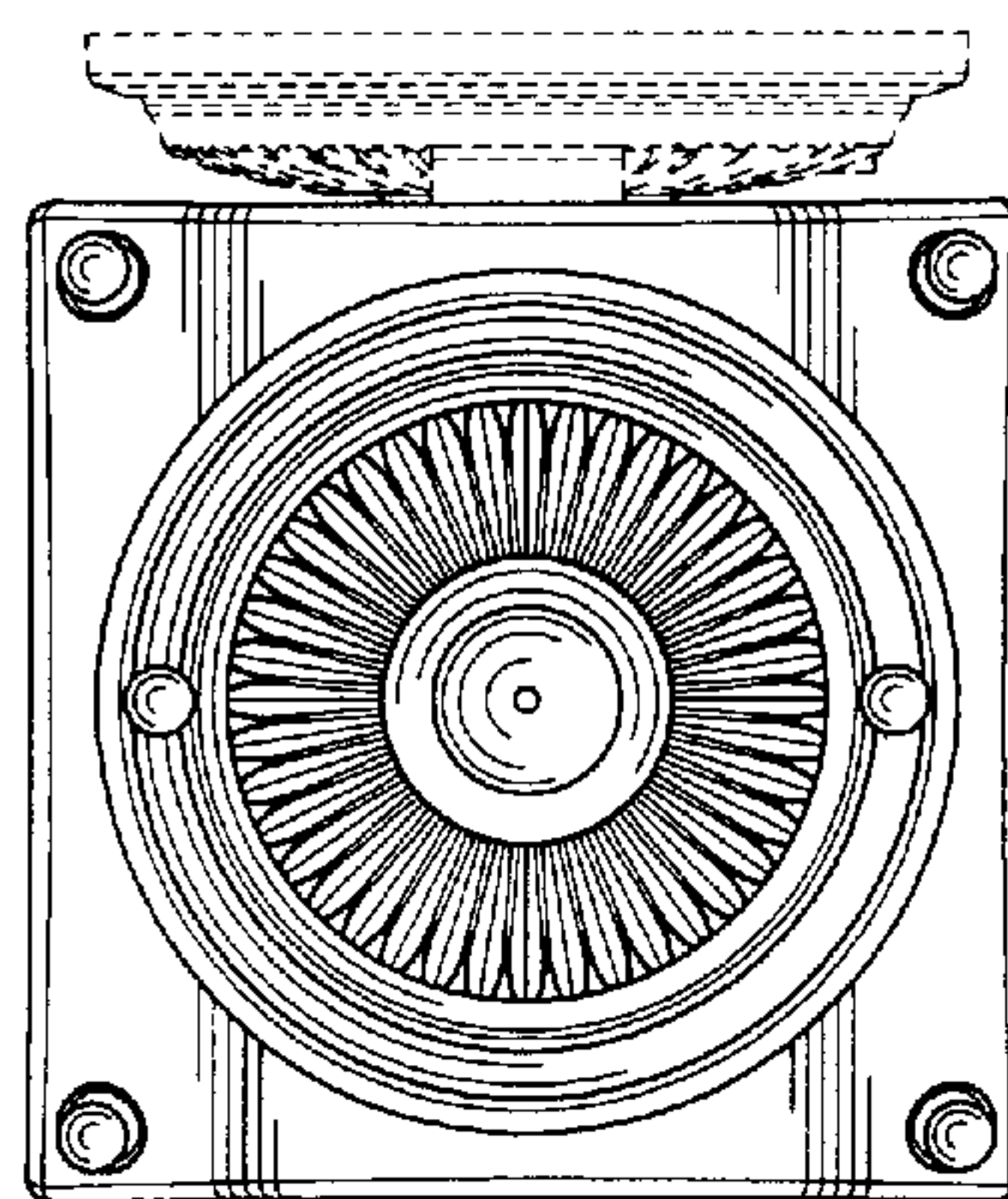


Fig-4

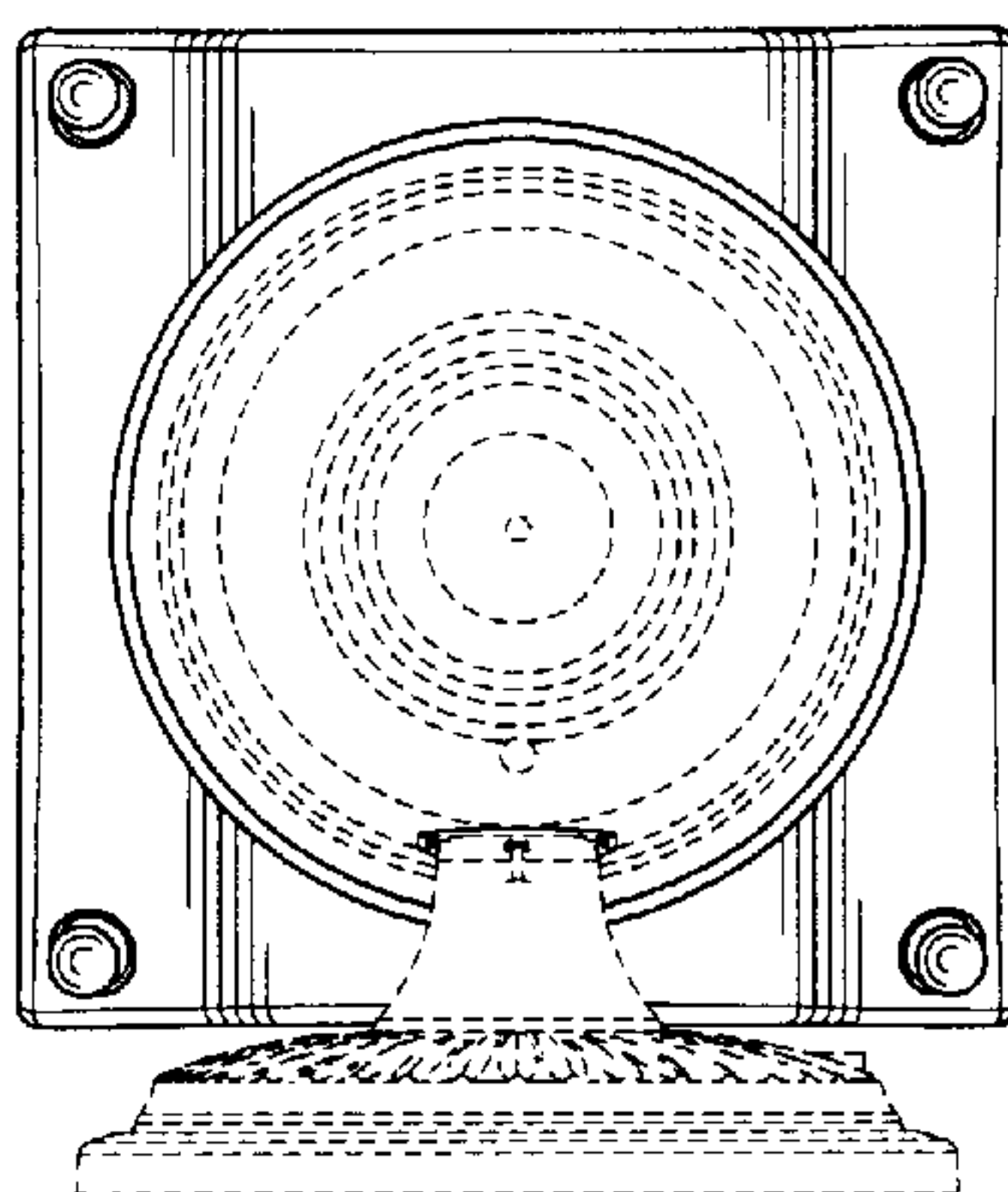


Fig-5

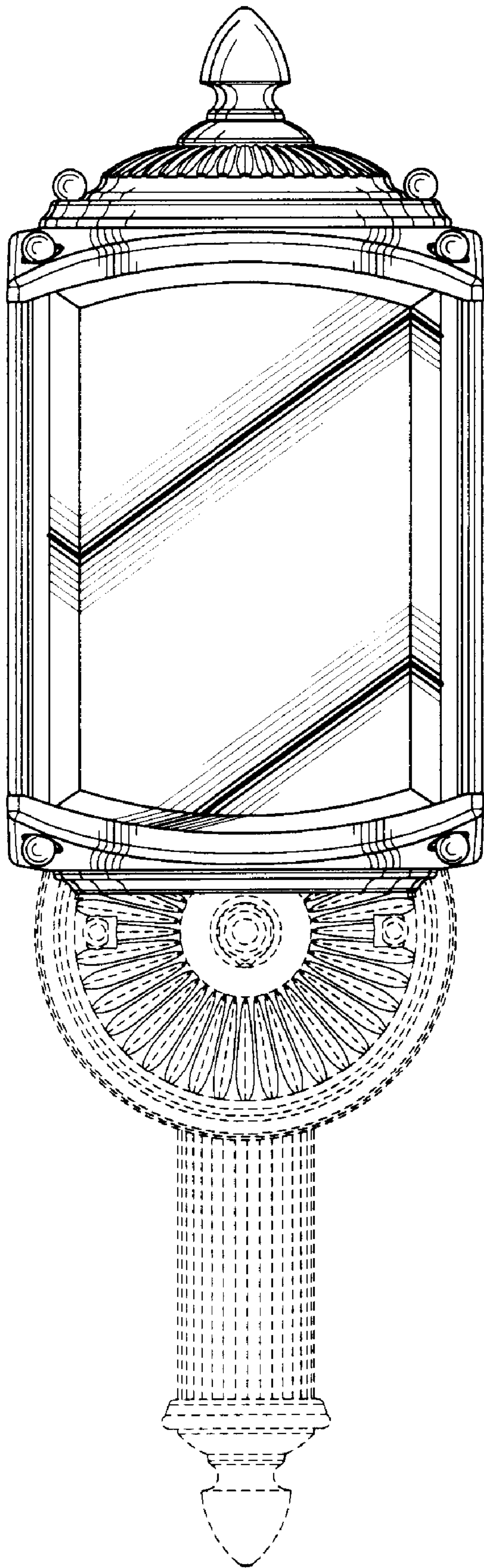


Fig-6