



US00D422105S

United States Patent [19]
Poon

[11] **Patent Number: Des. 422,105**

[45] **Date of Patent: ** Mar. 28, 2000**

[54] **LANTERN**

D. 382,358 8/1997 Poon D26/42
D. 392,061 3/1998 Zo D26/42
D. 399,016 9/1998 Howard et al. D26/42

[75] Inventor: **Tit Wing Poon**, Shatin, The Hong Kong Special Administrative Region of the People's Republic of China

Primary Examiner—Marcus A. Jackson
Attorney, Agent, or Firm—Alix, Yale & Ristas, LLP

[73] Assignee: **Flying Dragon Development Ltd.**, Shatin, The Hong Kong Special Administrative Region of the People's Republic of China

[57] **CLAIM**

The ornamental design for a lantern, as shown and described.

[**] Term: **14 Years**

DESCRIPTION

[21] Appl. No.: **29/108,117**

FIG. 1 is a front perspective view of the lantern showing my new design;

[22] Filed: **Jul. 20, 1999**

FIG. 2 is a front perspective view of the lantern of FIG. 1 with parts thereof being positioned in an alternative position;

[51] **LOC (6) Cl.** **26-02**

FIG. 3 is a front view of the lantern of FIG. 1;

[52] **U.S. Cl.** **D26/50**

FIG. 4 is a left side view of the lantern of FIG. 1;

[58] **Field of Search** D26/37-50; 362/157, 362/158, 183-208

FIG. 5 is a rear view of the lantern of FIG. 1;

FIG. 6 is a right side view of the lantern of FIG. 1;

[56] **References Cited**

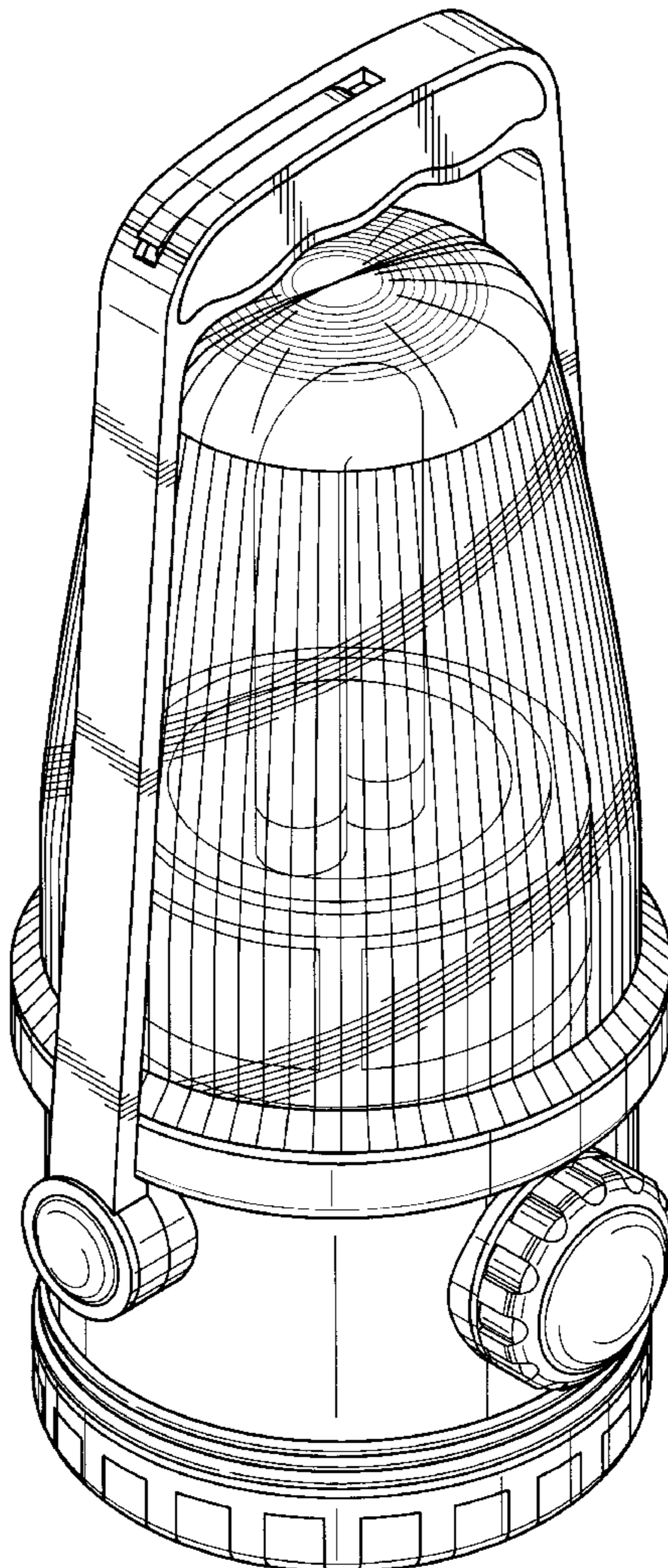
FIG. 7 is a top plan view of the lantern of FIG. 1; and,

FIG. 8 is a bottom plan view of the lantern of FIG. 1.

U.S. PATENT DOCUMENTS

D. 351,918 10/1994 Poon D26/42

1 Claim, 5 Drawing Sheets



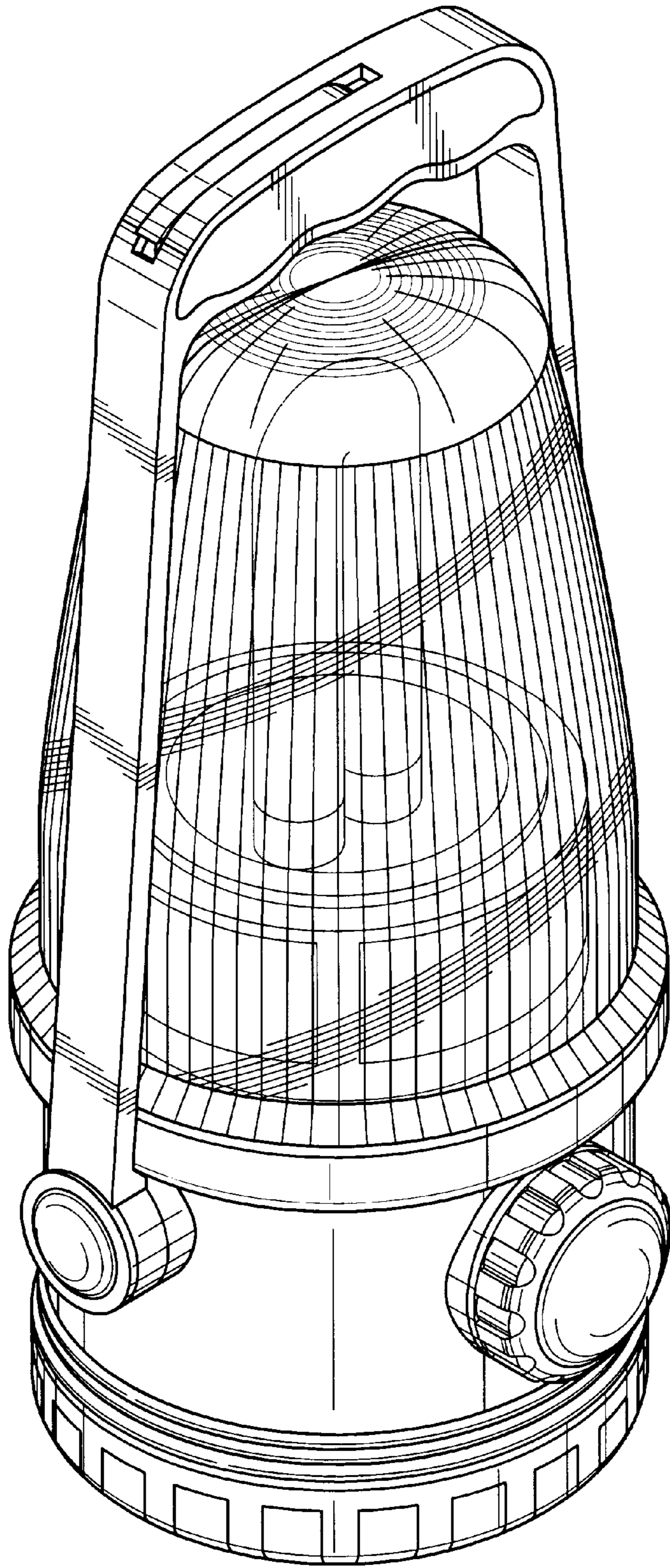


FIG. 1

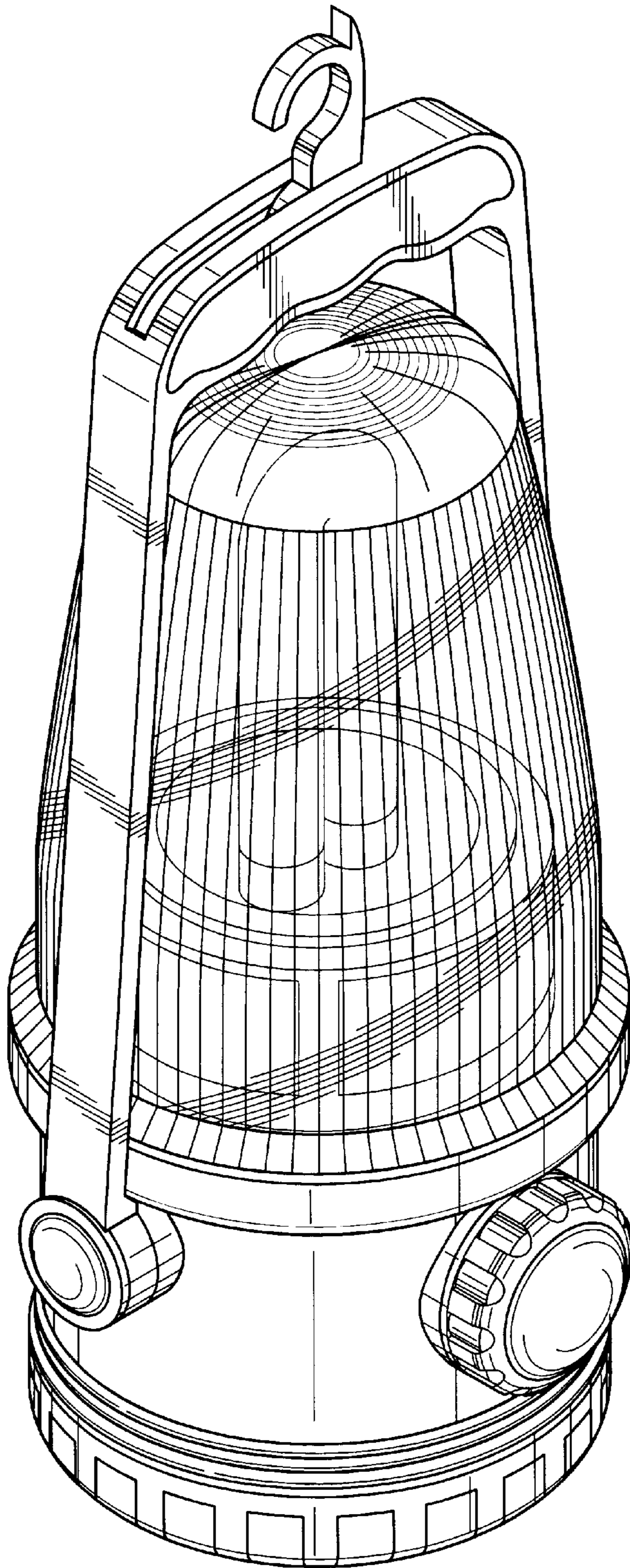


FIG. 2

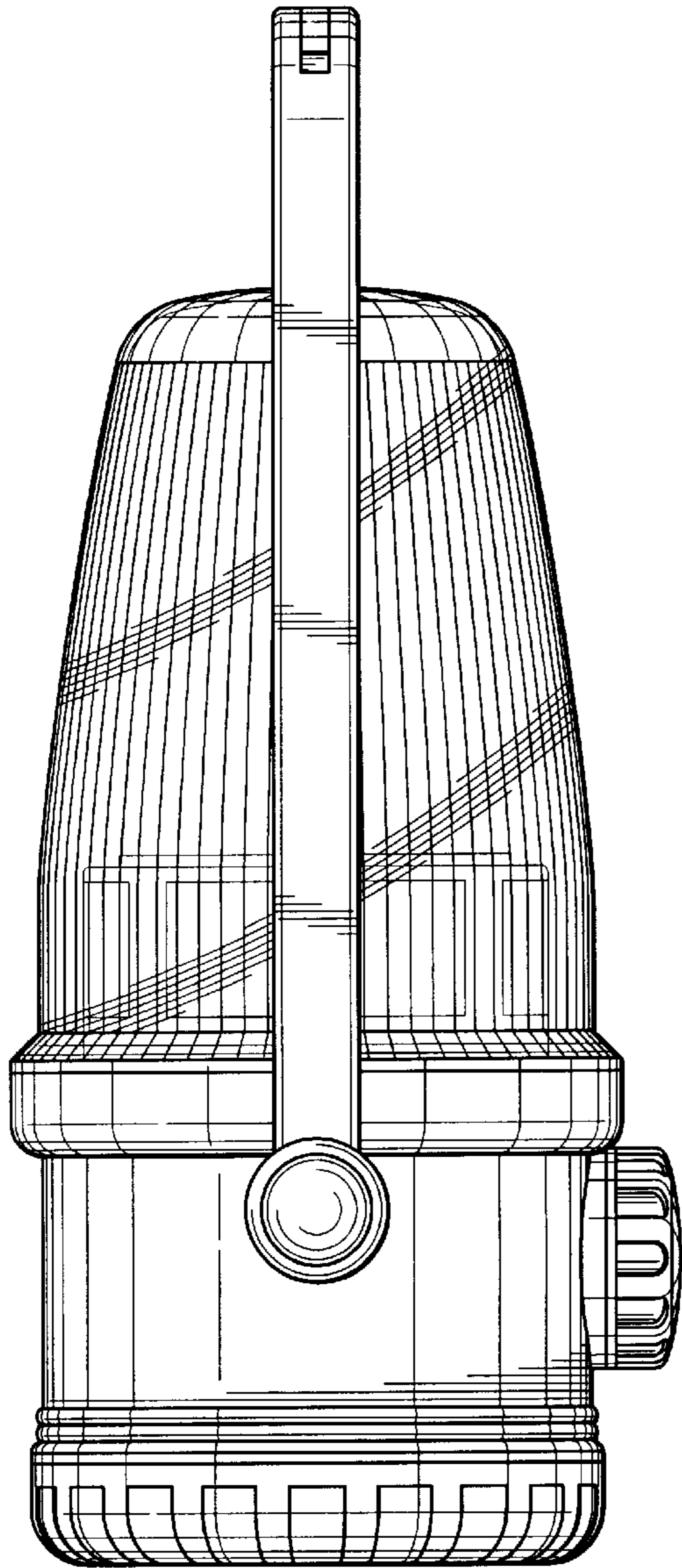


FIG. 4

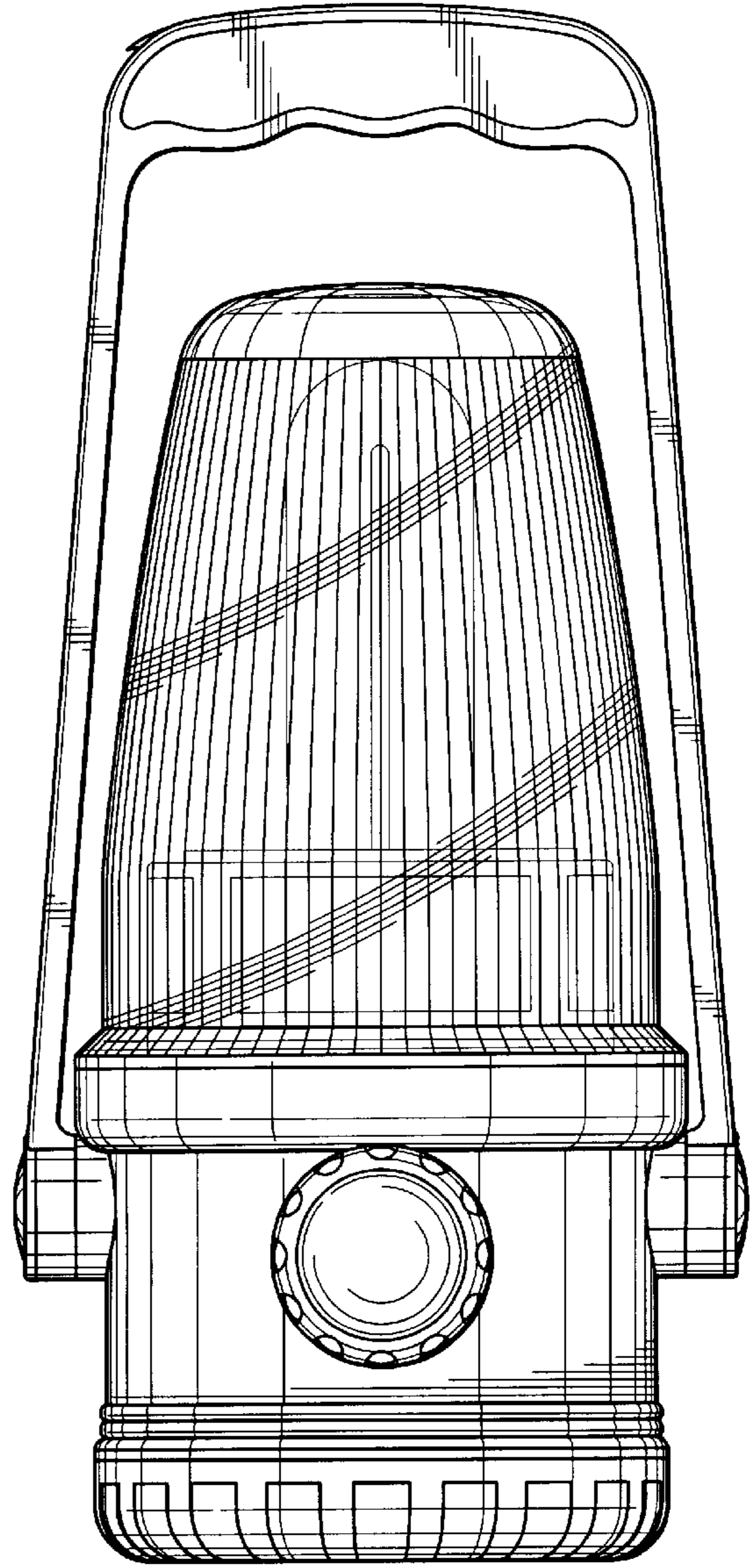


FIG. 3

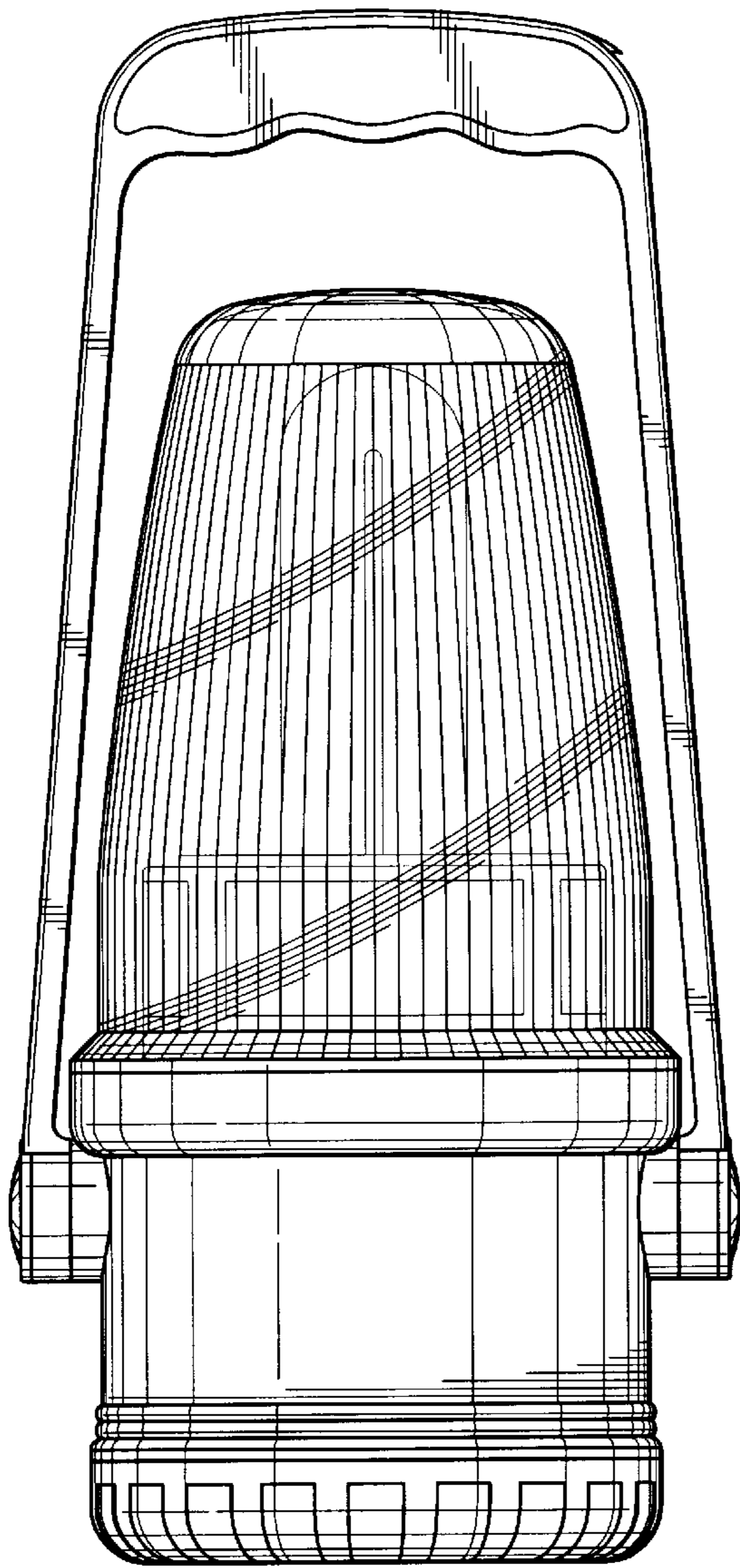


FIG. 5

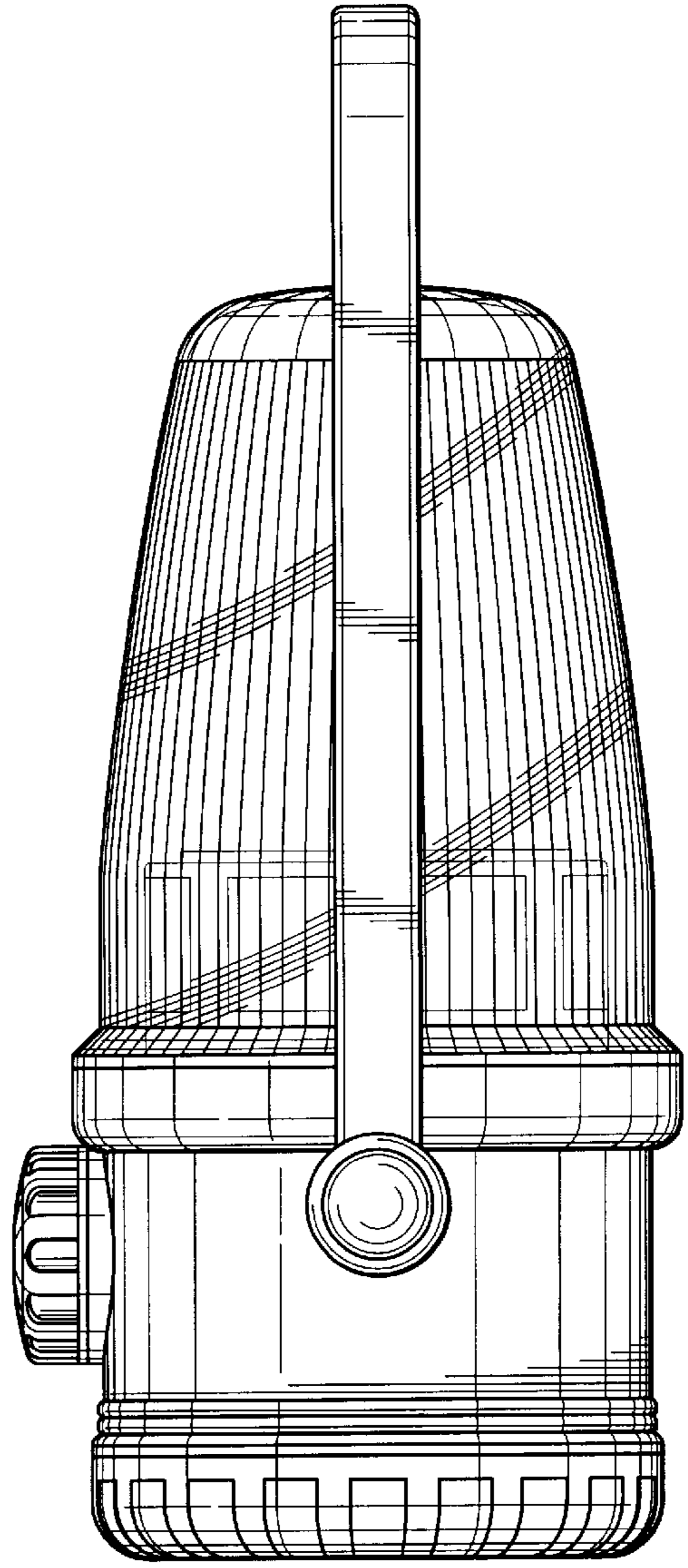


FIG. 6

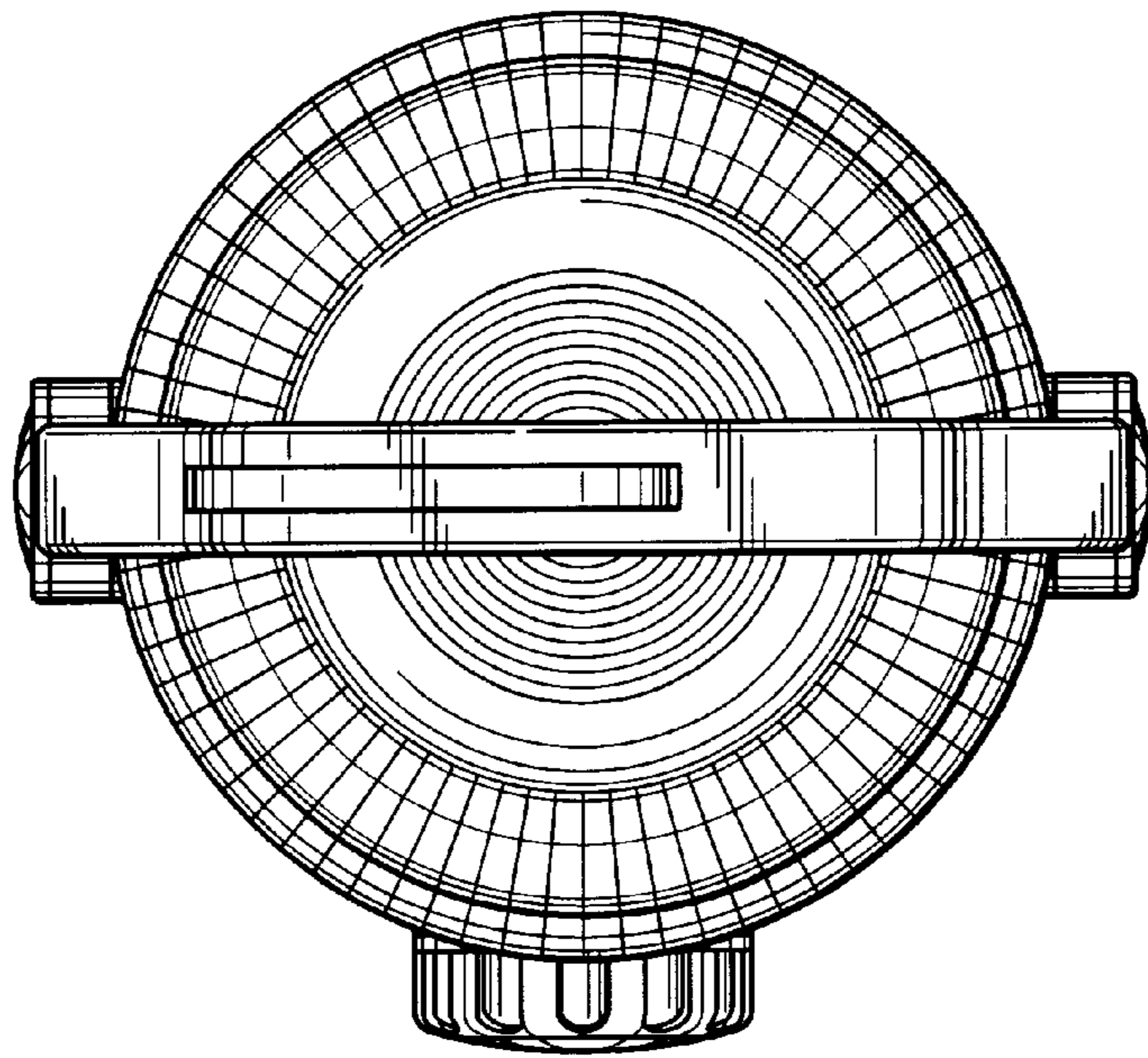


FIG. 7

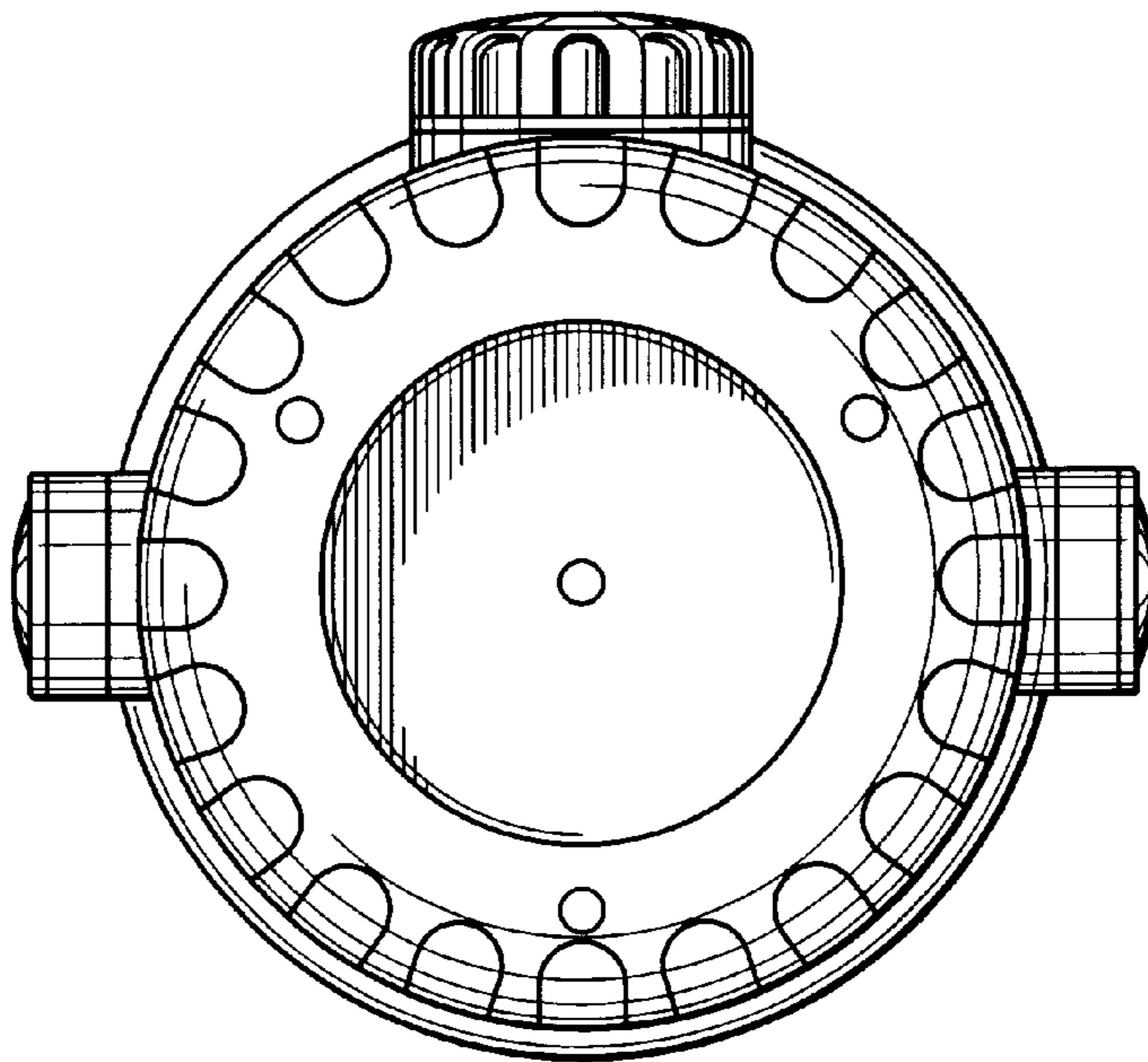


FIG. 8