



US00D422104S

# United States Patent [19] Yuen

[11] **Patent Number: Des. 422,104**  
[45] **Date of Patent: \*\* Mar. 28, 2000**

## [54] RECHARGEABLE EMERGENCY LIGHT

[75] Inventor: **John Se-Kit Yuen**, Kowloon, The Hong Kong Special Administrative Region of the People's Republic of China

[73] Assignee: **John Manufacturing Limited**, Kowloon, The Hong Kong Special Administrative Region of the People's Republic of China

[\*\*] Term: **14 Years**

[21] Appl. No.: **29/089,544**

[22] Filed: **Jun. 17, 1998**

[51] **LOC (6) Cl.** ..... **26-02**

[52] **U.S. Cl.** ..... **D26/49**

[58] **Field of Search** ..... D26/37-50; 362/157, 362/158, 171, 172, 178, 181, 183-208

### [56] **References Cited**

#### U.S. PATENT DOCUMENTS

- D. 328,145 7/1992 Yuen .
- D. 403,446 12/1998 Lynch et al. .... D26/37
- D. 404,840 1/1999 Van Deursen et al. .... D26/49
- D. 407,509 3/1999 Yuen ..... D26/37

## FOREIGN PATENT DOCUMENTS

- 2007014 1/1991 United Kingdom .
- 2012736 7/1991 United Kingdom .
- 2030400 8/1993 United Kingdom .

*Primary Examiner*—Marcus A. Jackson  
*Attorney, Agent, or Firm*—Beall Law Offices

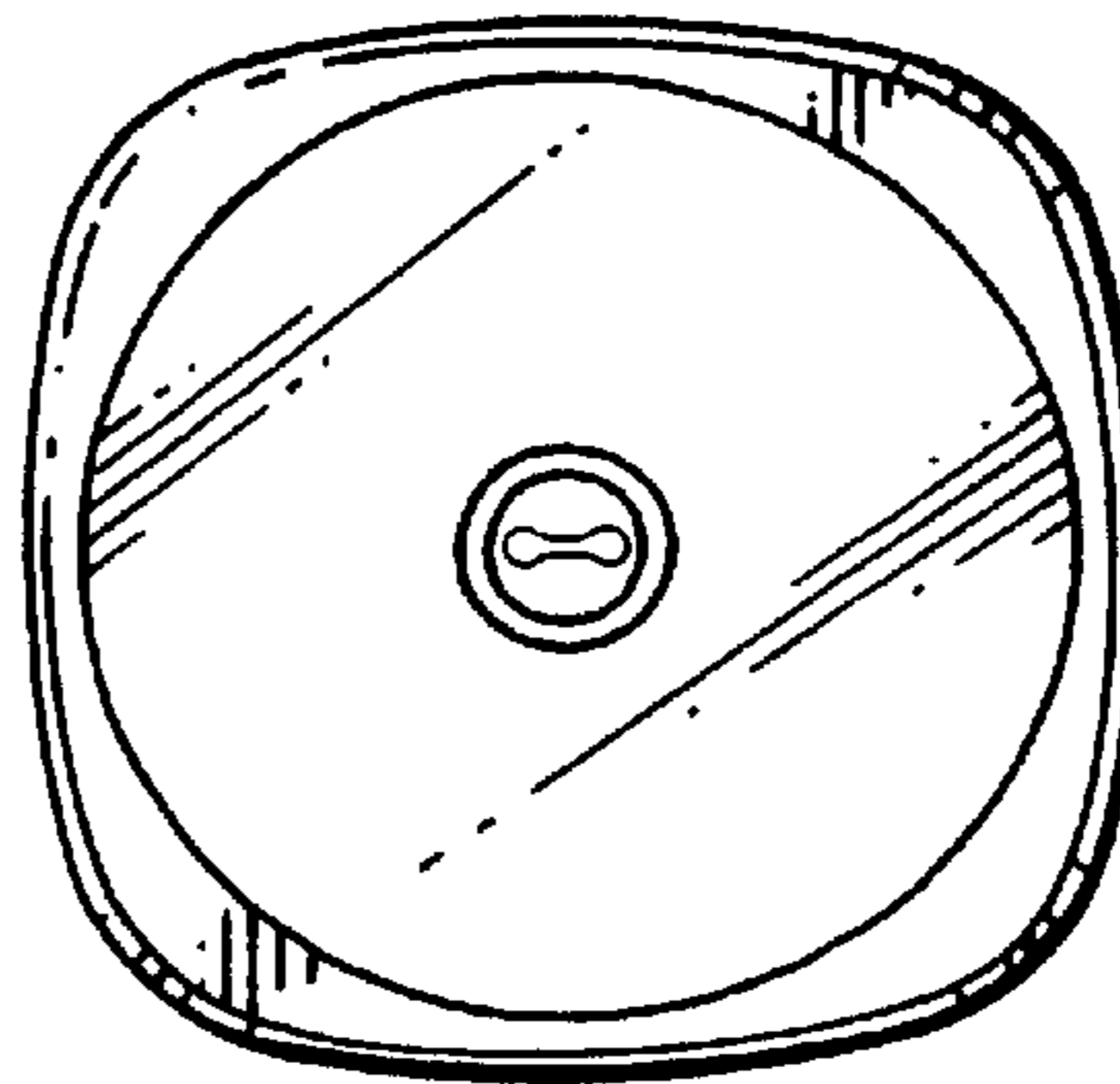
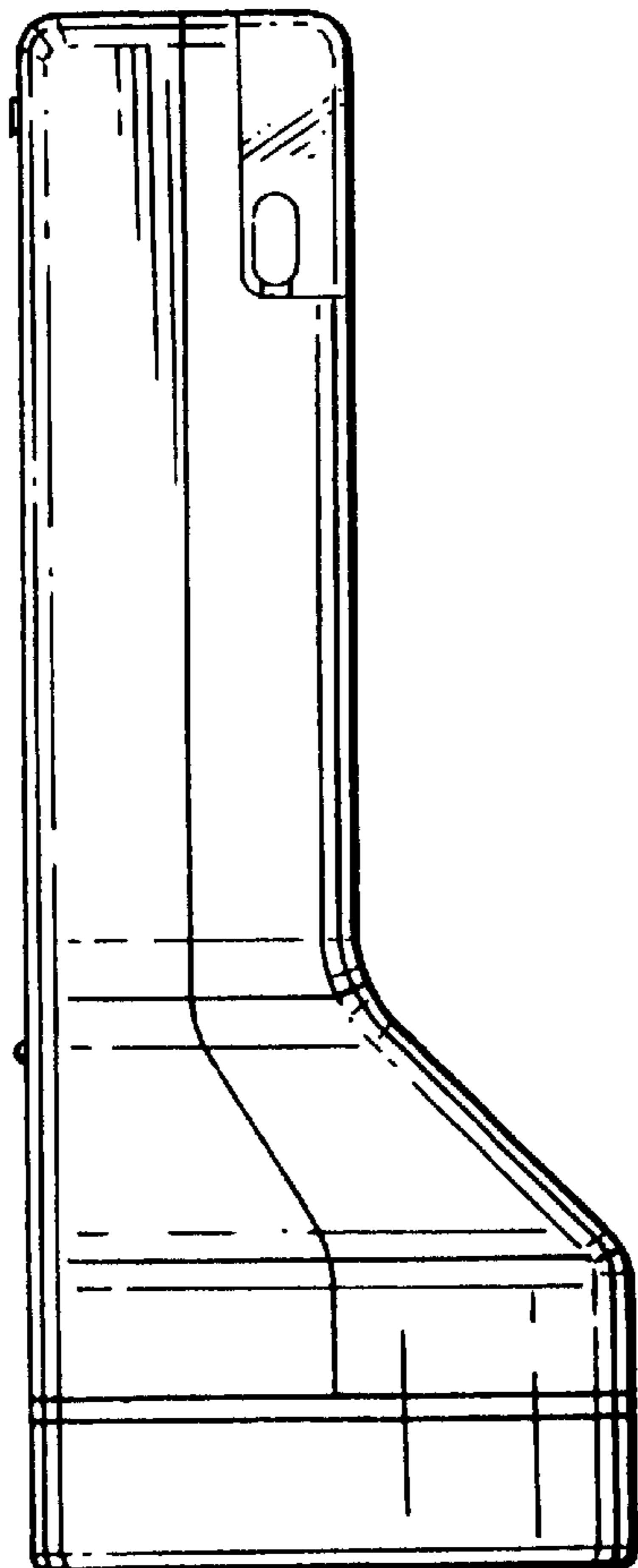
### [57] **CLAIM**

The ornamental design for a rechargeable emergency light, as shown and described.

### **DESCRIPTION**

FIG. 1 is a left side elevational view of a rechargeable emergency light showing my new design; FIG. 2 is a front elevational view thereof; FIG. 3 is a right side elevational view thereof; FIG. 4 is a rear elevational view thereof; FIG. 5 is an right side elevational view with prongs extended thereof; FIG. 6 is a rear elevational view with prongs extended thereof; FIG. 7 is an underneath plan view thereof; and, FIG. 8 is a top plan view thereof.

**1 Claim, 2 Drawing Sheets**



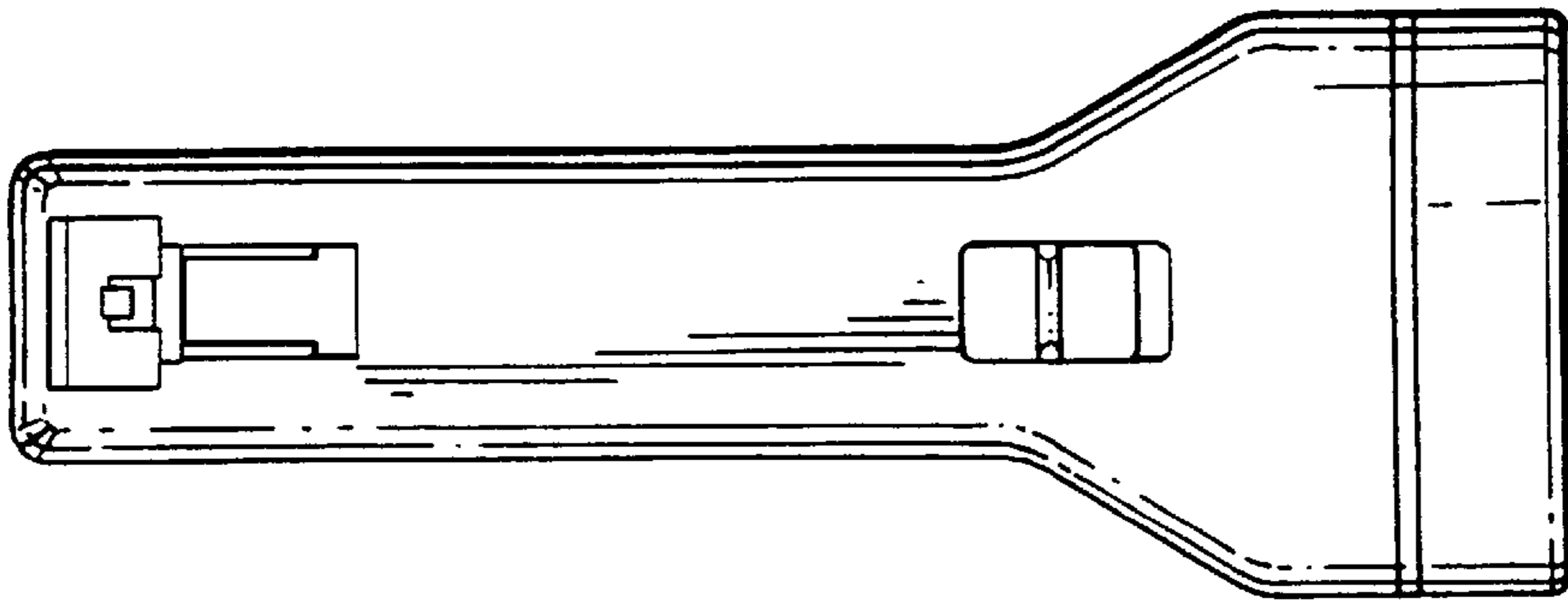


FIG. 4

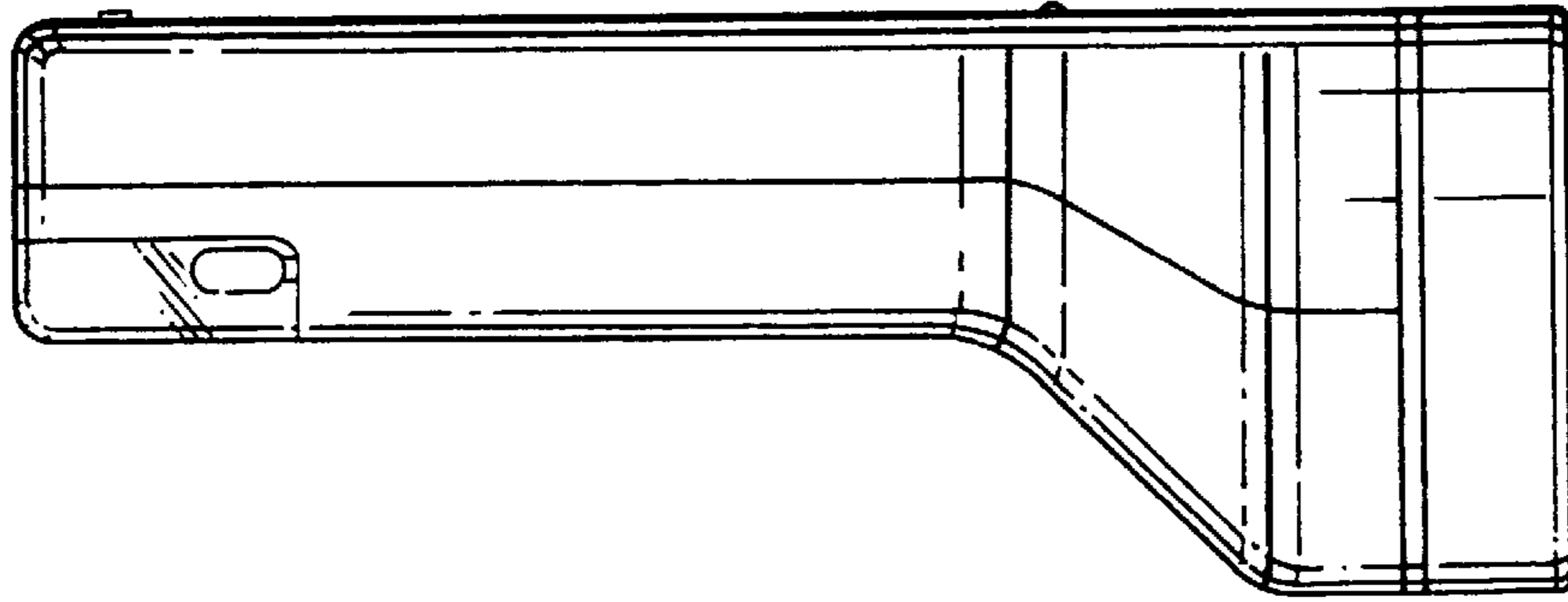


FIG. 3

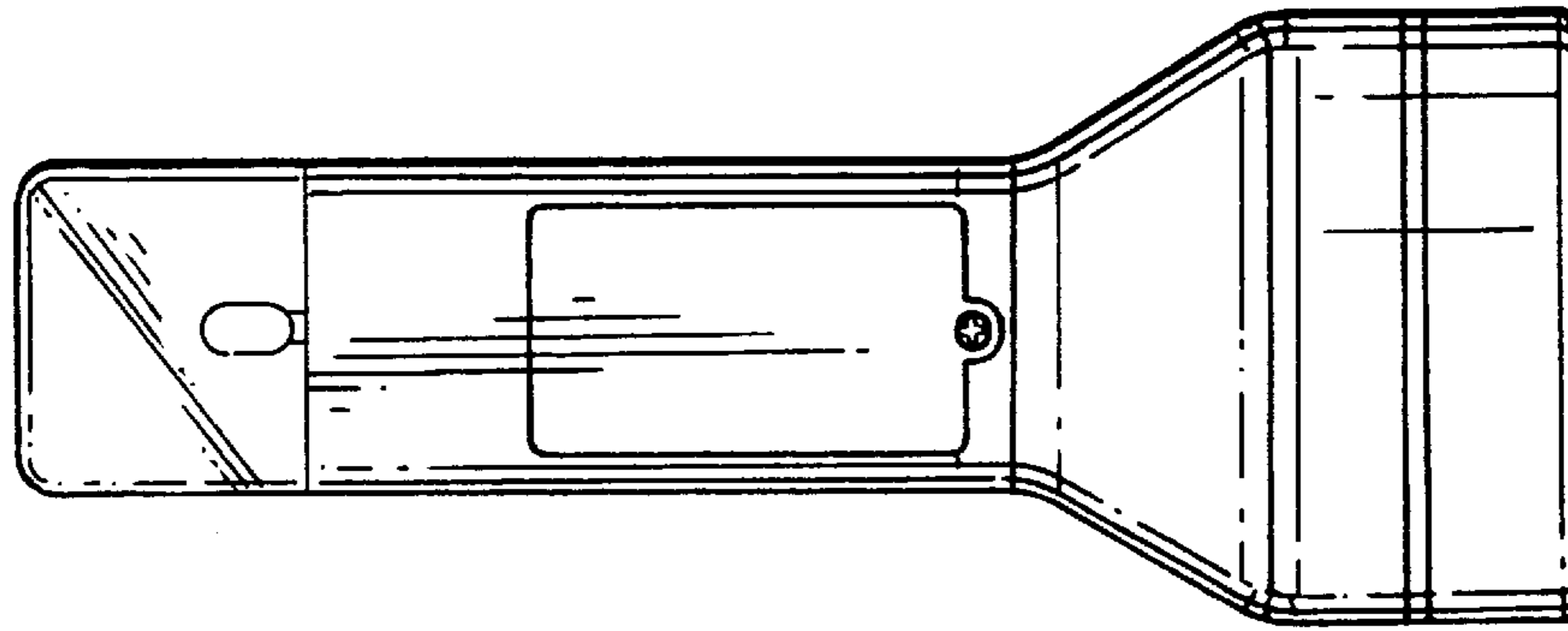


FIG. 2

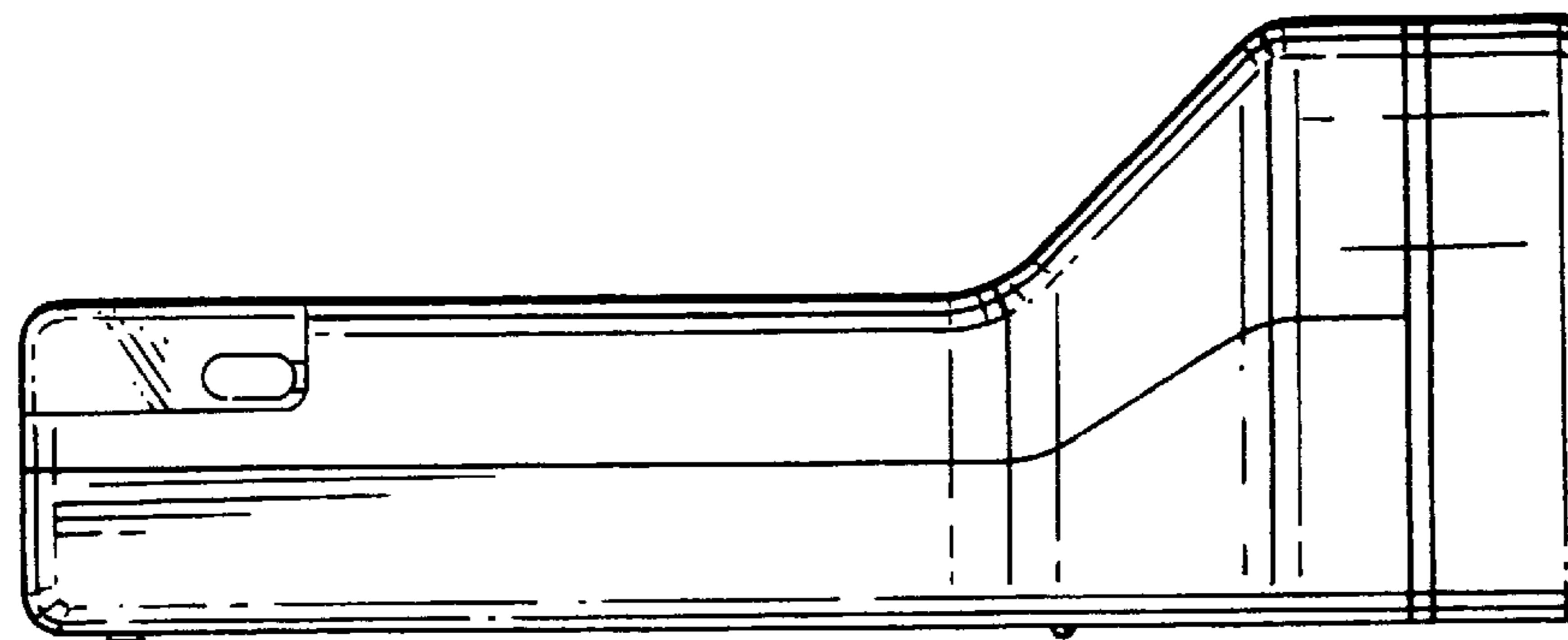


FIG. 1

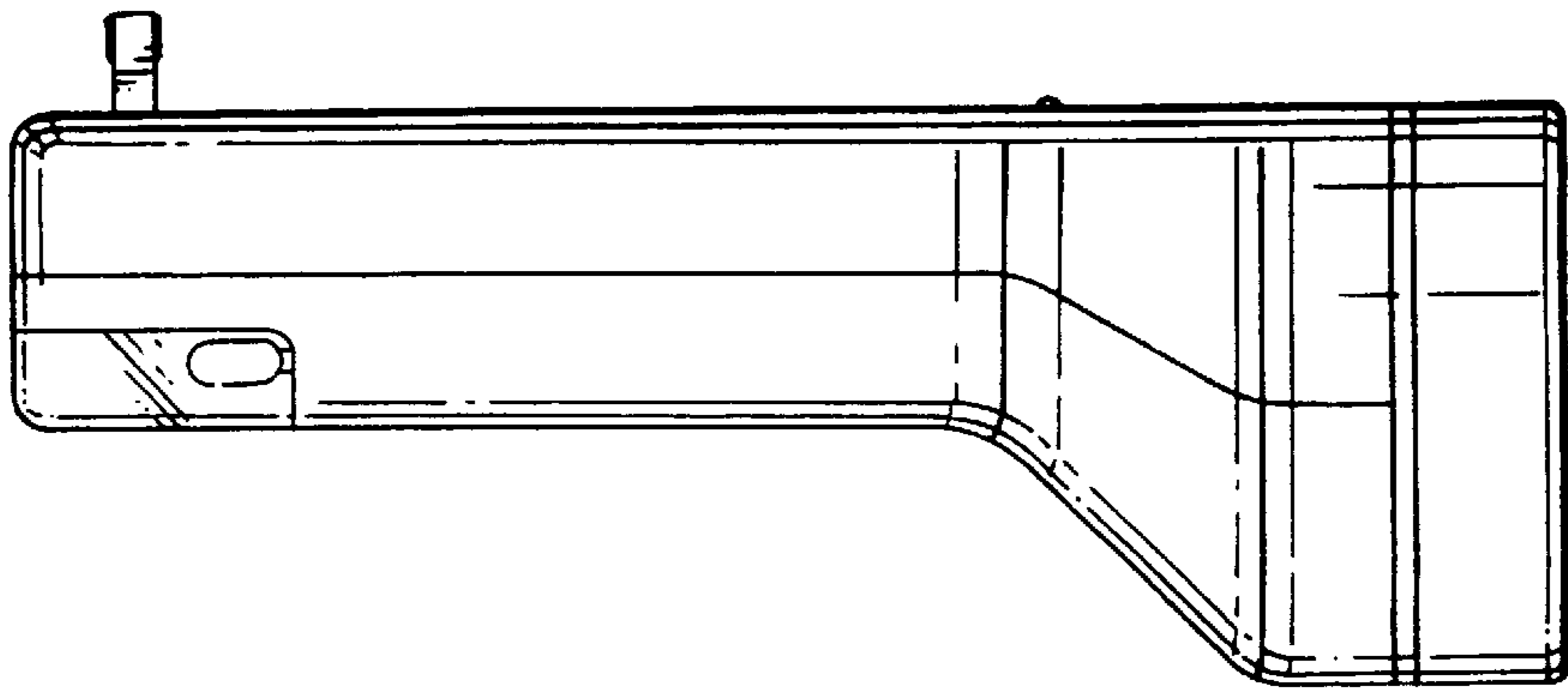


FIG. 5

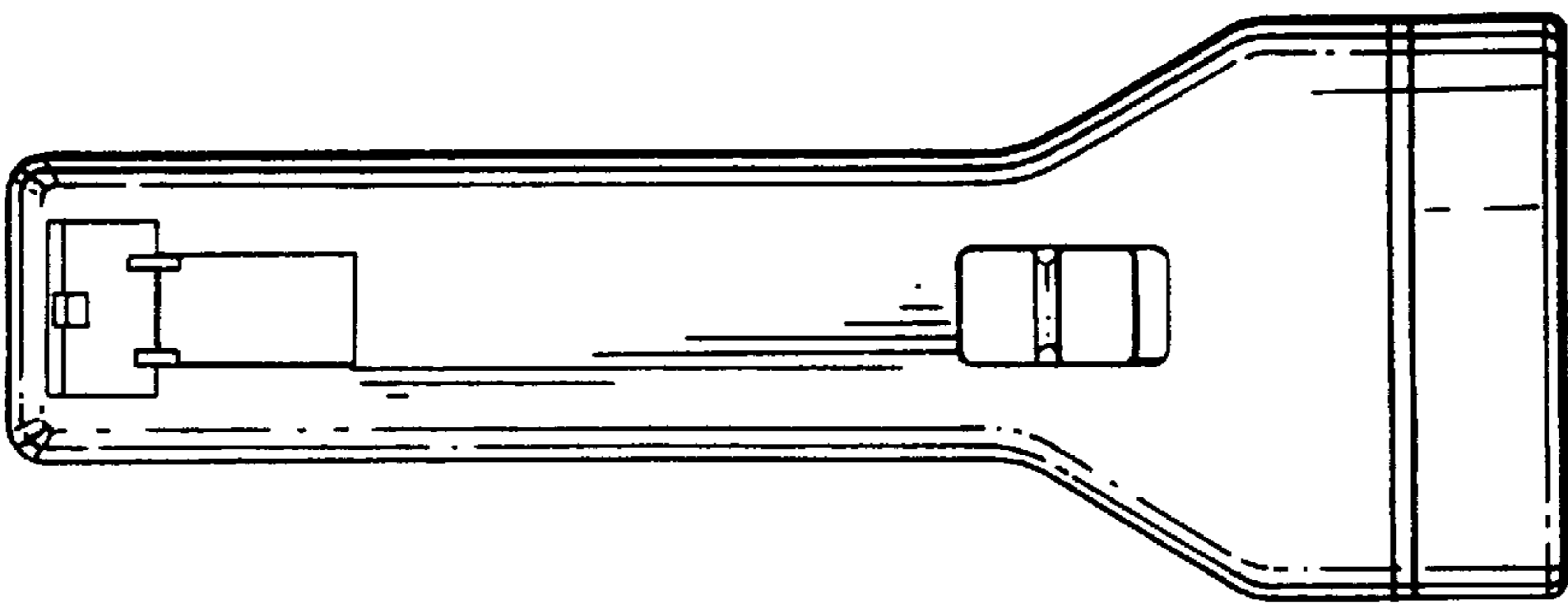


FIG. 6

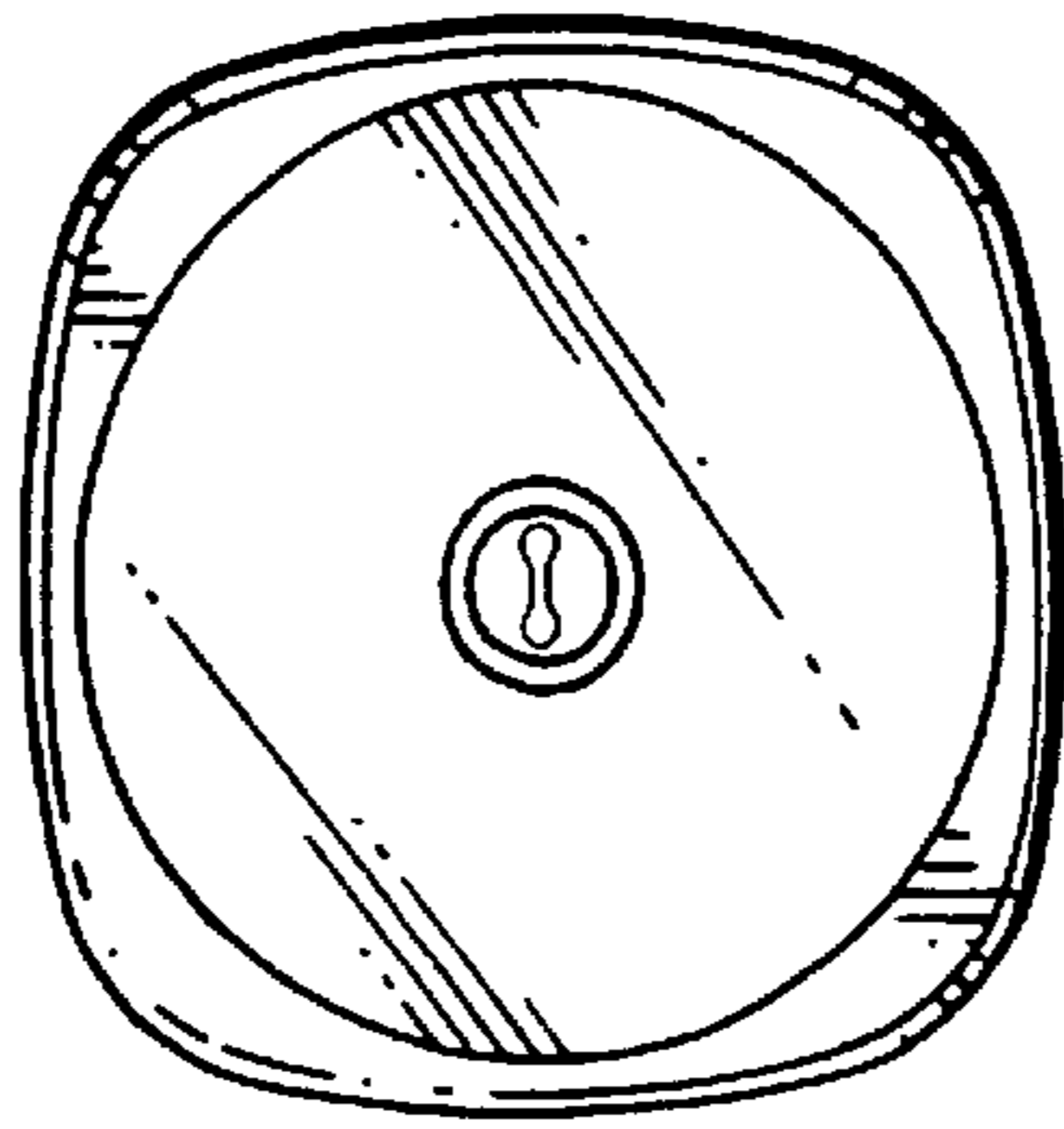


FIG. 7

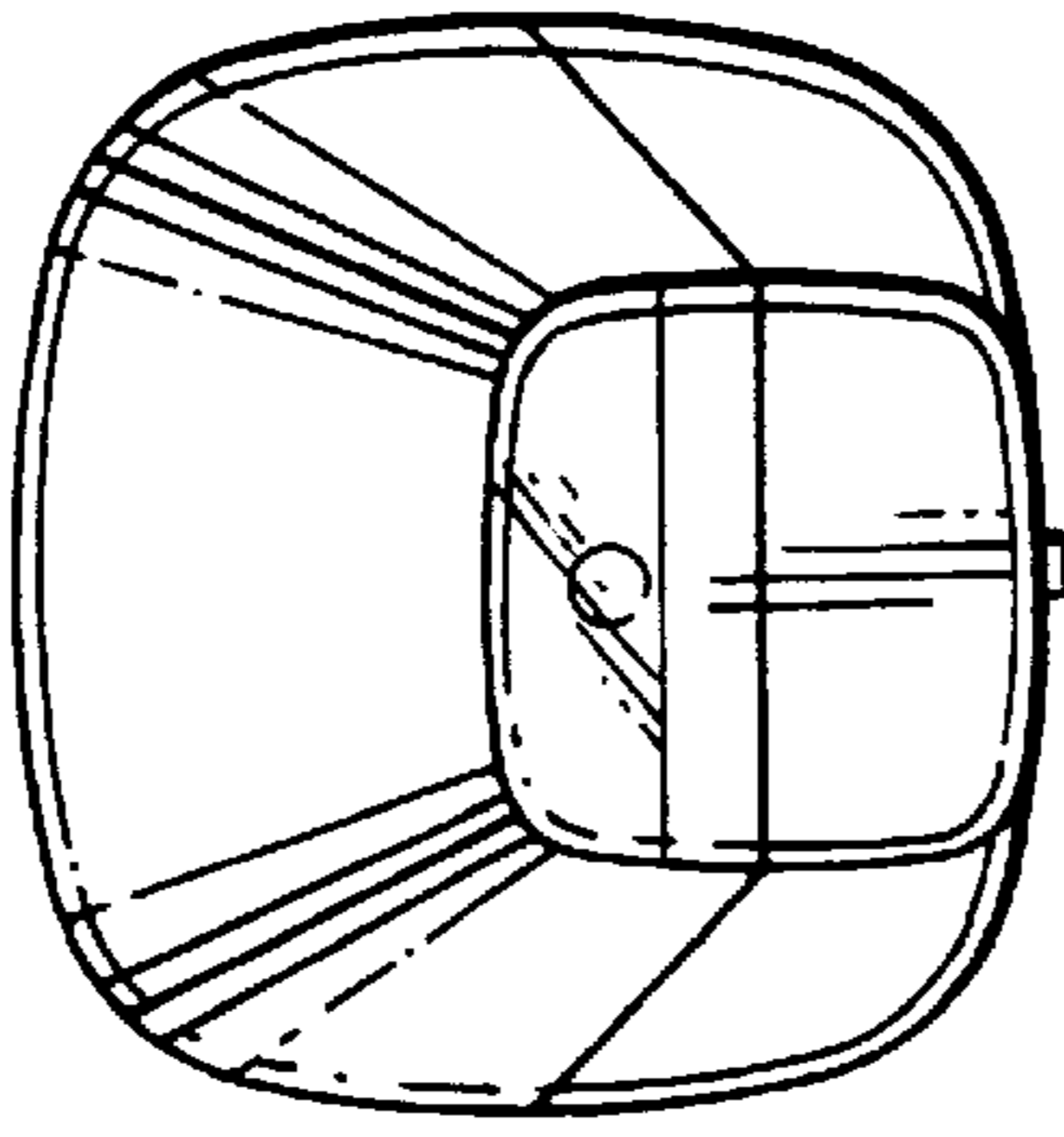


FIG. 8