



US00D422103S

United States Patent [19]
Chen

[11] **Patent Number: Des. 422,103**

[45] **Date of Patent: ** Mar. 28, 2000**

[54] **FLASHLIGHT**

D. 390,678 2/1998 Matthes D26/37
D. 397,465 8/1998 Youri D26/38

[76] Inventor: **Terence Chen**, 1st Fl., No. 44, Alley
14, Lane 10, Sec. 3, Hsiu-Lang Road,
Chung-Ho, Taipei Hsien, Taiwan

Primary Examiner—Marcus A. Jackson
Attorney, Agent, or Firm—Rosenberg, Klein & Bilker

[**] Term: **14 Years**

[57] **CLAIM**

[21] Appl. No.: **29/105,964**

The ornamental design for a flashlight, as shown and described.

[22] Filed: **Jun. 3, 1999**

DESCRIPTION

[51] **LOC (6) Cl.** **26-02**

[52] **U.S. Cl.** **D26/37**

[58] **Field of Search** D26/37-50; 362/157,
362/158, 183-208

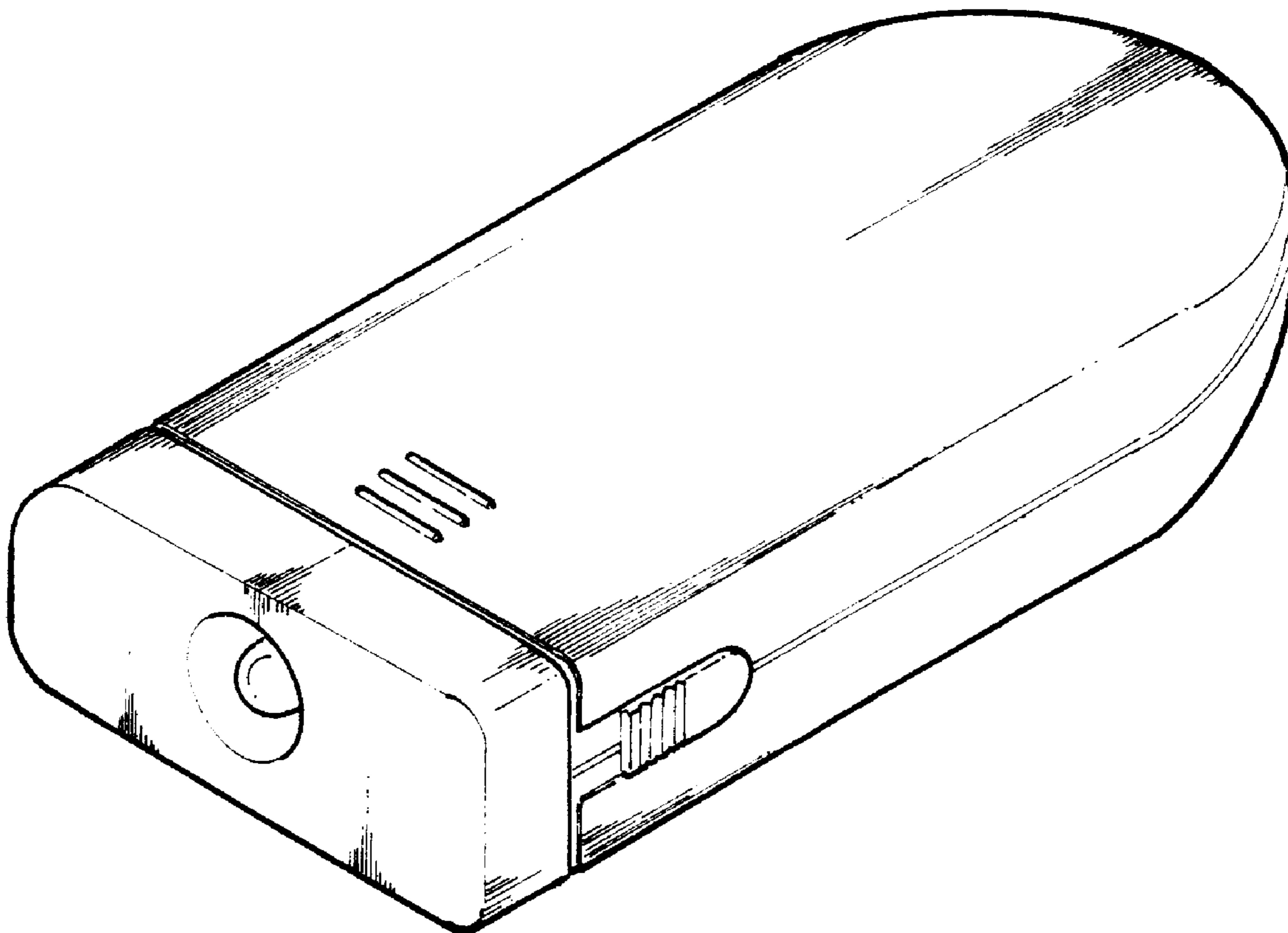
FIG. 1 is a perspective of a flashlight showing my design;
FIG. 2 is a front elevation thereof;
FIG. 3 is a rear elevation thereof;
FIG. 4 is a left side elevation thereof;
FIG. 5 is a right side elevation thereof;
FIG. 6 is a top plan view thereof; and,
FIG. 7 is a bottom plan view thereof.

[56] **References Cited**

U.S. PATENT DOCUMENTS

D. 361,633 8/1995 Chabria D26/37
D. 374,492 10/1996 Coe D26/37

1 Claim, 6 Drawing Sheets



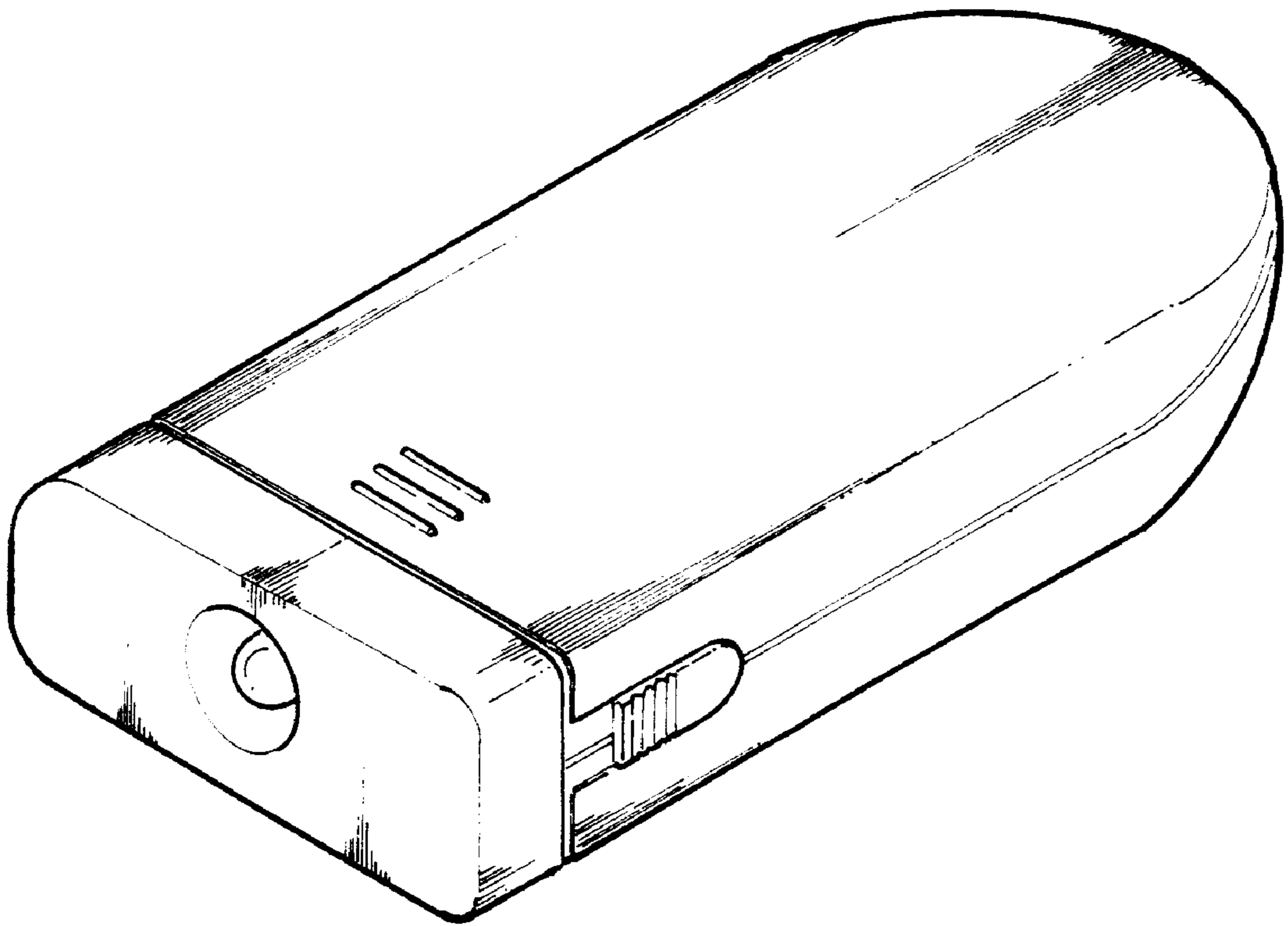


FIG. 1

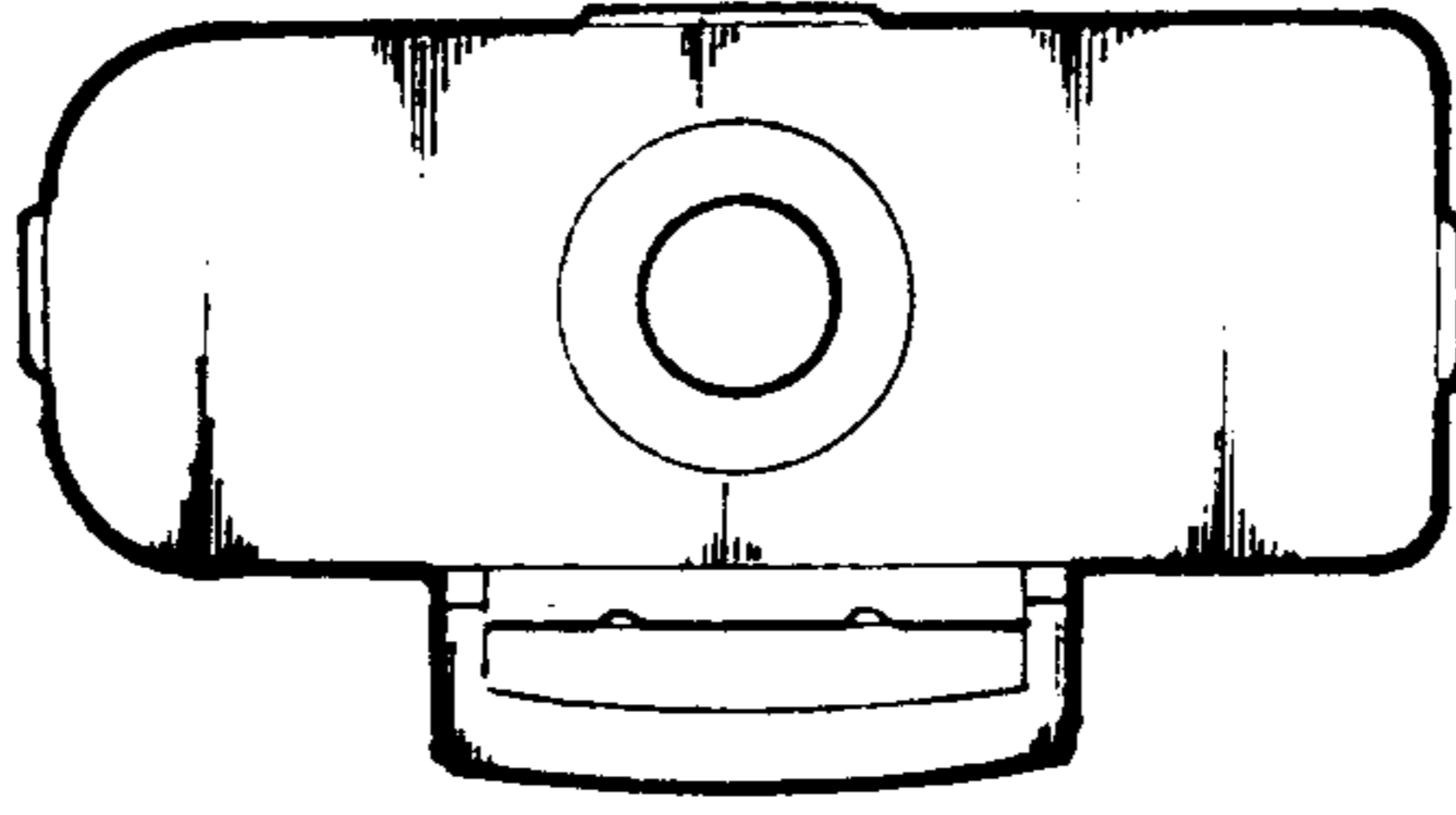


FIG. 2

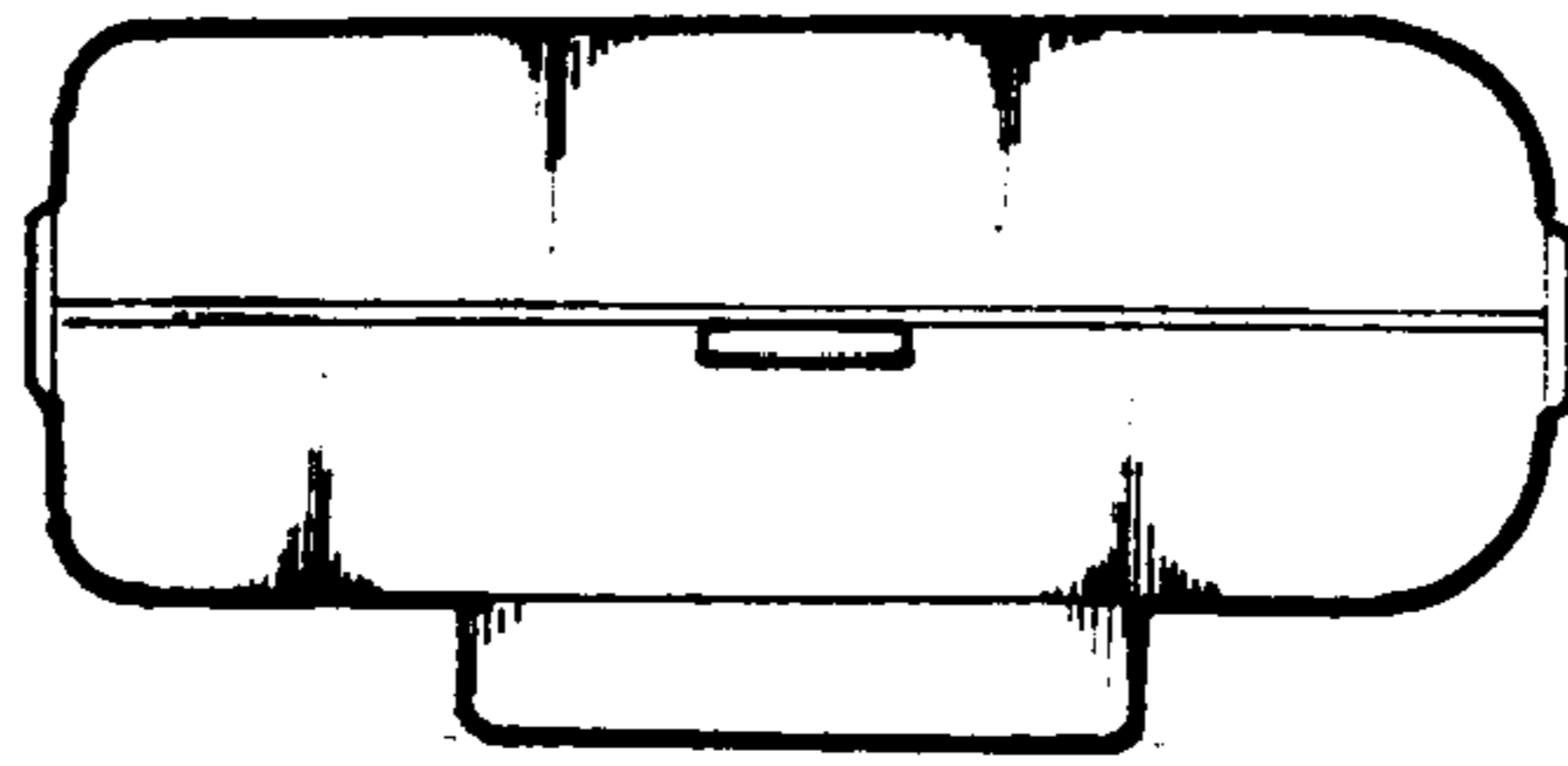


FIG. 3

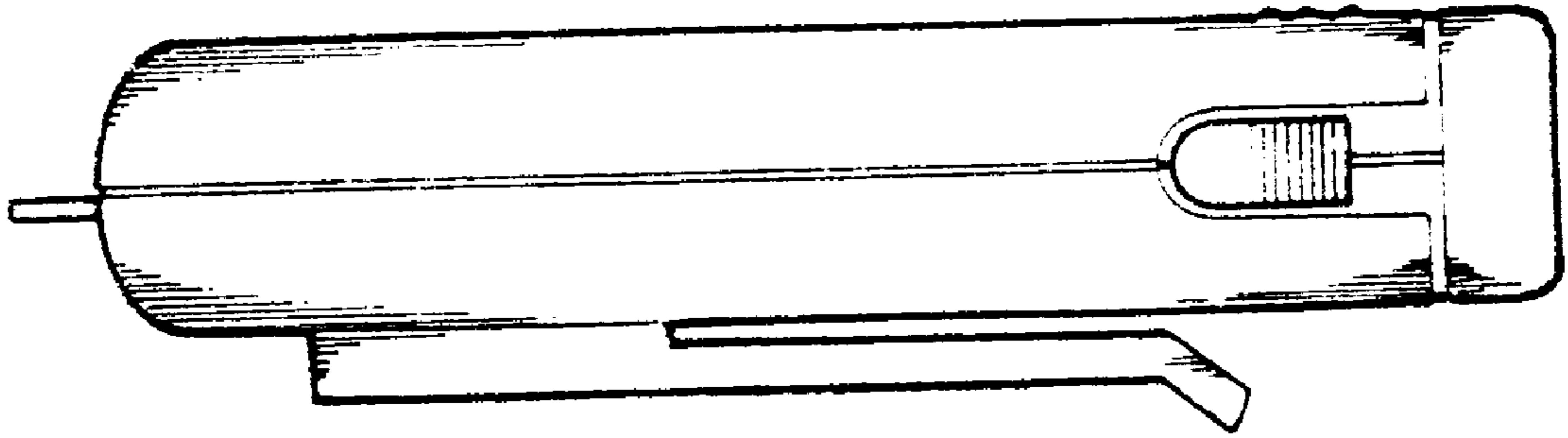


FIG. 4

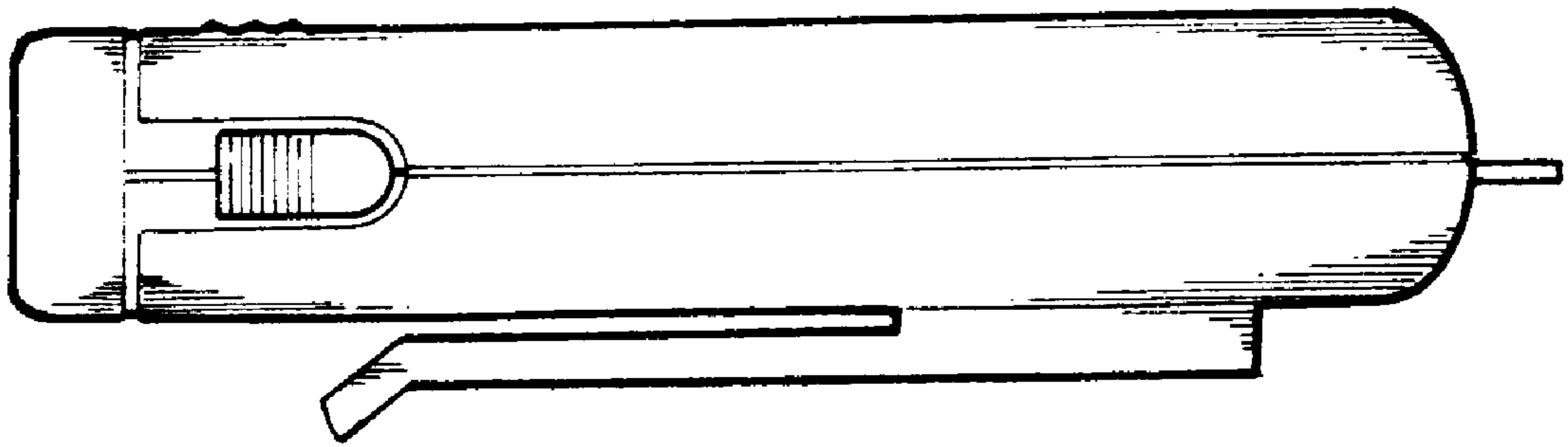


FIG. 5

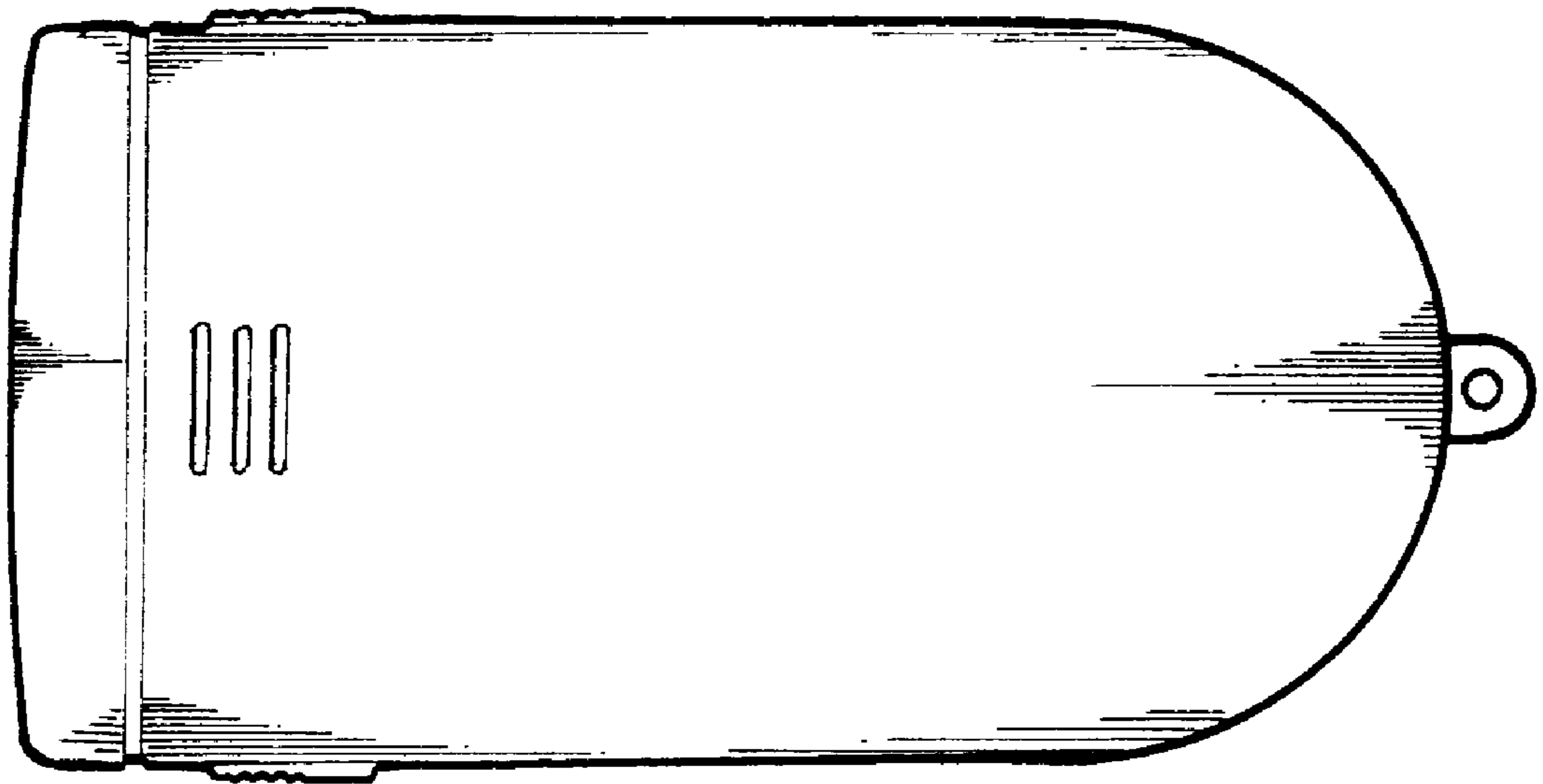


FIG. 6

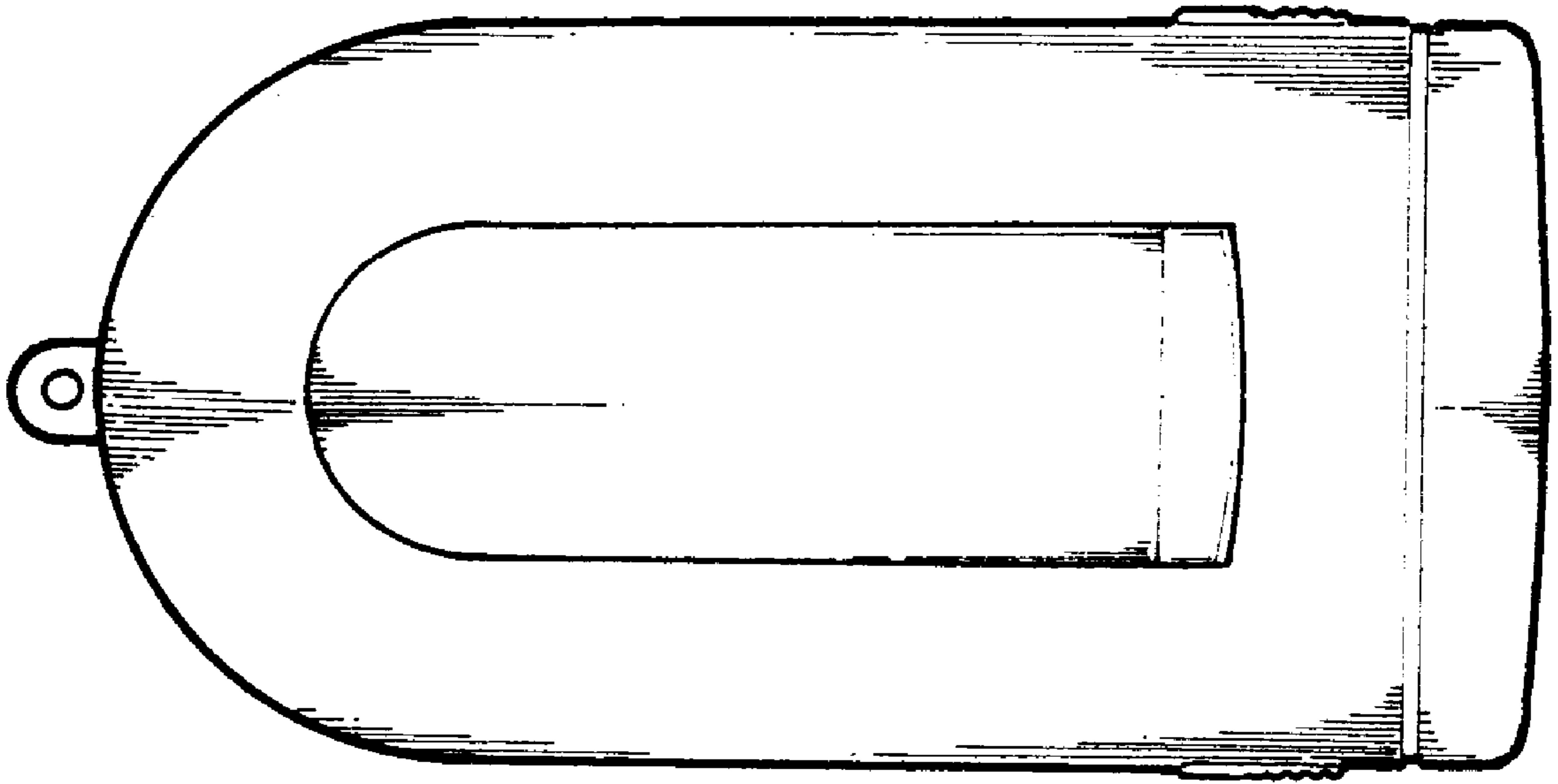


FIG. 7