



US00D422102S

United States Patent [19]
Moore

[11] **Patent Number: Des. 422,102**

[45] **Date of Patent: ** Mar. 28, 2000**

[54] **UNIVERSAL TRAILER LAMP**

[76] Inventor: **Dennis G. Moore**, 2602 Superior,
Livermore, Alameda County, Calif.
94550

[**] Term: **14 Years**

[21] Appl. No.: **29/094,208**

[22] Filed: **Sep. 28, 1998**

[51] **LOC (6) Cl.** **26-06**

[52] **U.S. Cl.** **D26/28**

[58] **Field of Search** D26/28-35; 362/61,
362/80, 81, 82, 83, 83.4, 267, 269, 275

[56] **References Cited**

U.S. PATENT DOCUMENTS

- D. 191,130 8/1961 Mappes D26/28
- D. 399,983 10/1998 Cadotte et al. D26/28

Primary Examiner—Marcus A. Jackson
Attorney, Agent, or Firm—August E. Roehrig, Jr.; Hancock
& Estabrook, LLP

[57] **CLAIM**

The ornamental design for a universal trailer lamp, as shown and described.

DESCRIPTION

FIG. 1 is a front perspective view of the universal trailer lamp of my invention;

FIG. 2 is a front elevational view of the universal trailer lamp illustrated in FIG. 1;

FIG. 3 is a rear elevational view of the universal trailer lamp illustrated in FIG. 1;

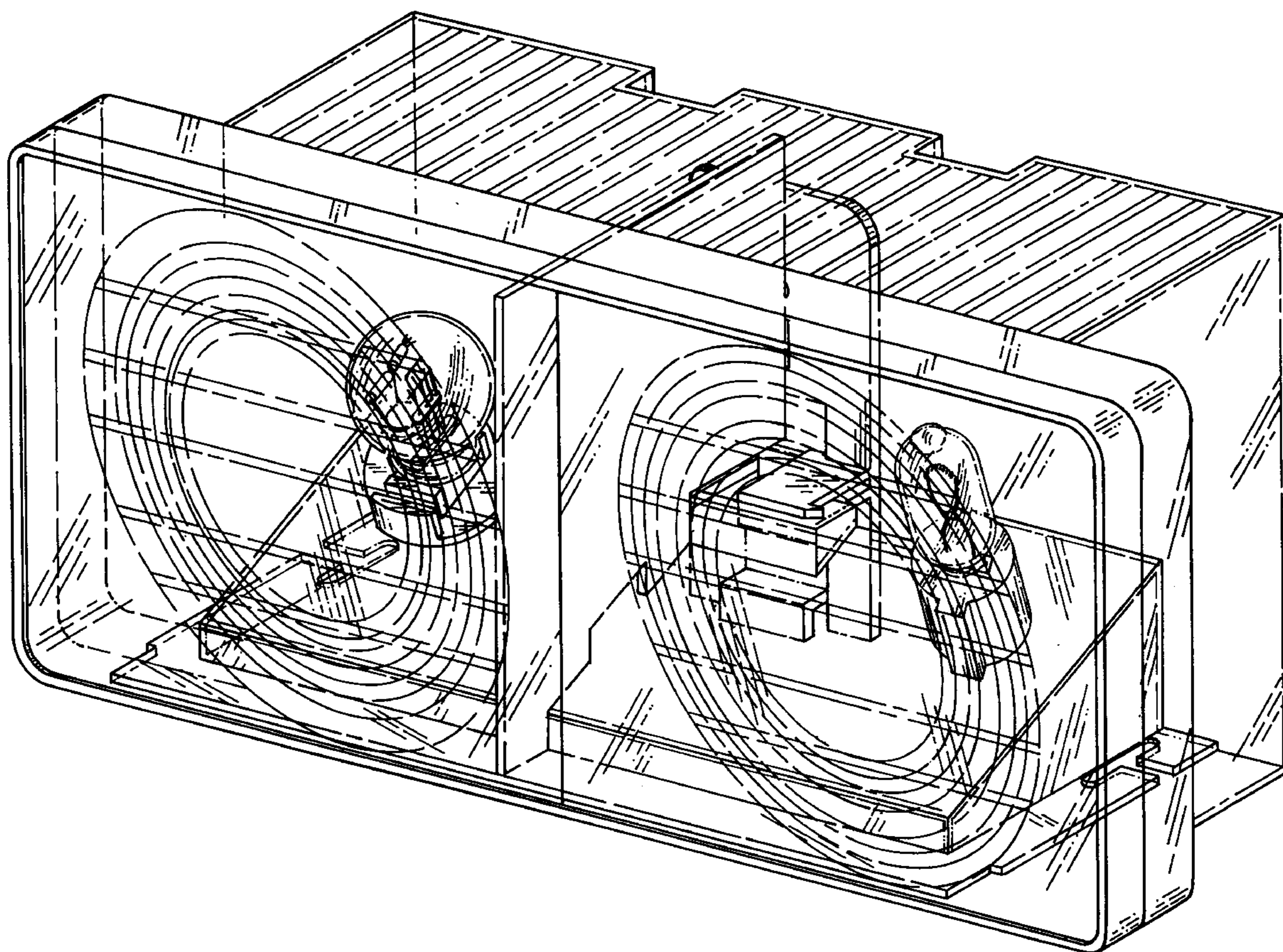
FIG. 4 is a left side elevational view of the universal trailer lamp as illustrated in FIG. 2;

FIG. 5 is a right side elevational view of the universal trailer lamp illustrated in FIG. 2;

FIG. 6 is a top plan view of the universal trailer lamp illustrated in FIG. 1; and,

FIG. 7 is a bottom plan view of the universal trailer lamp illustrated in FIG. 1.

1 Claim, 5 Drawing Sheets



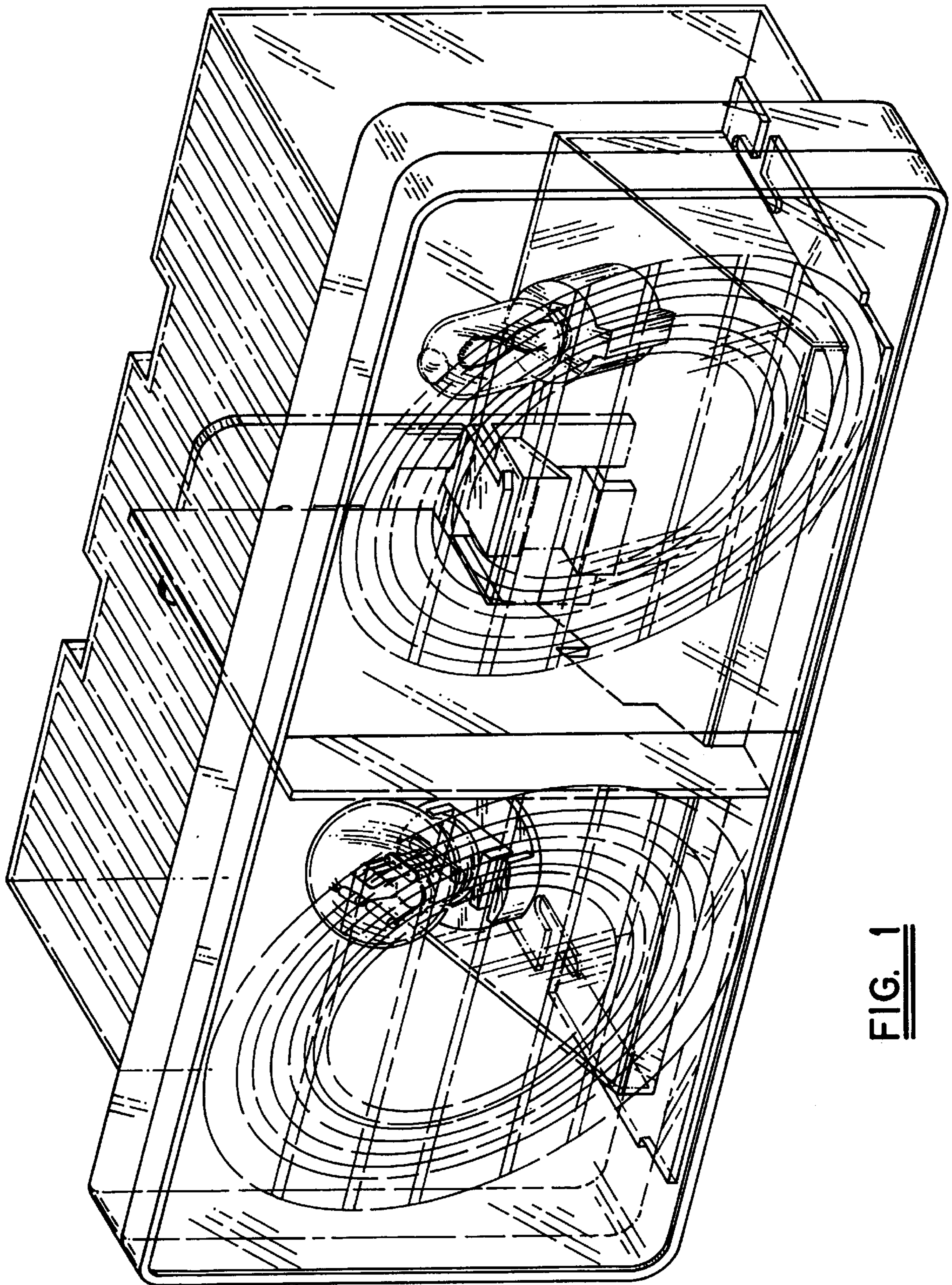


FIG. 1

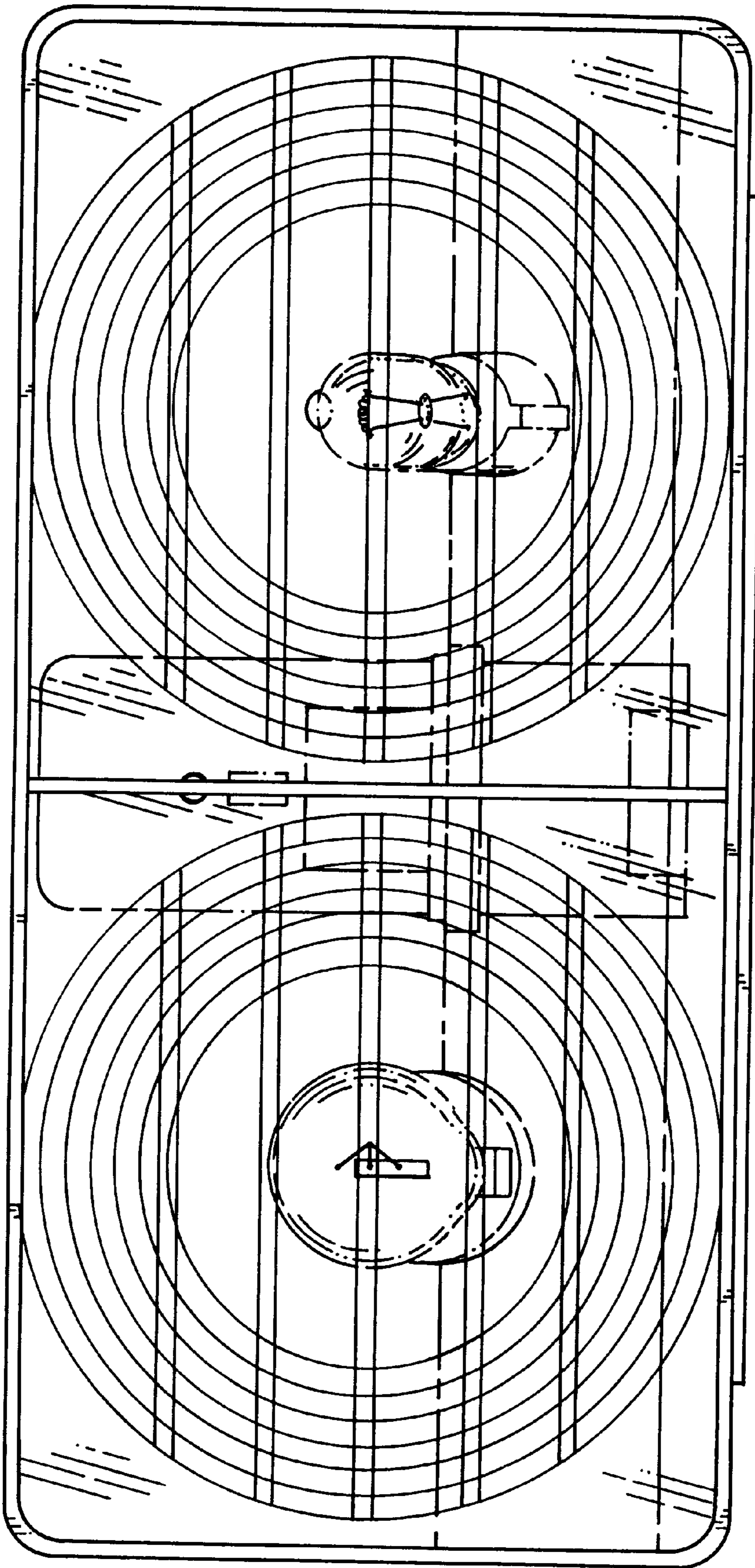


FIG. 2

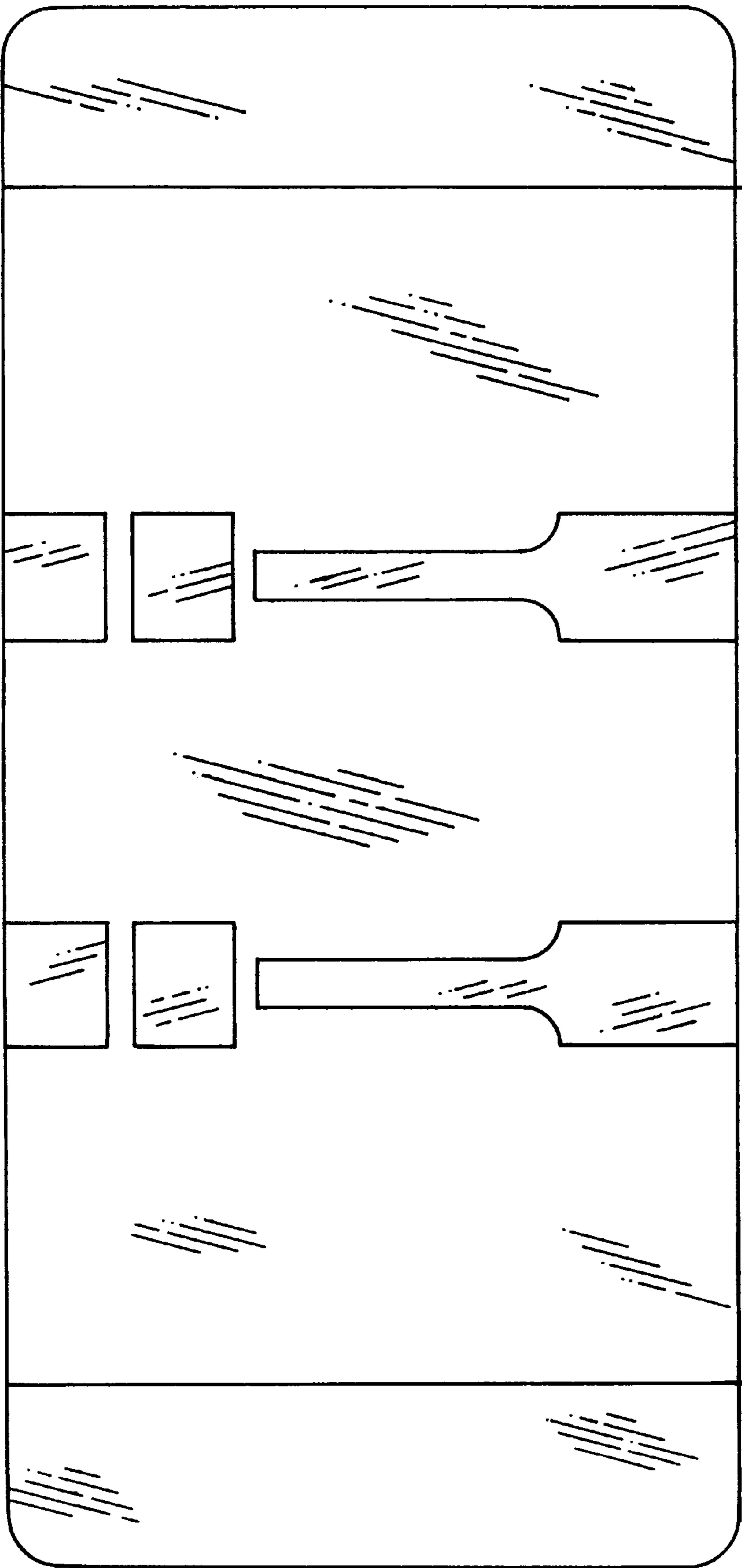


FIG. 3

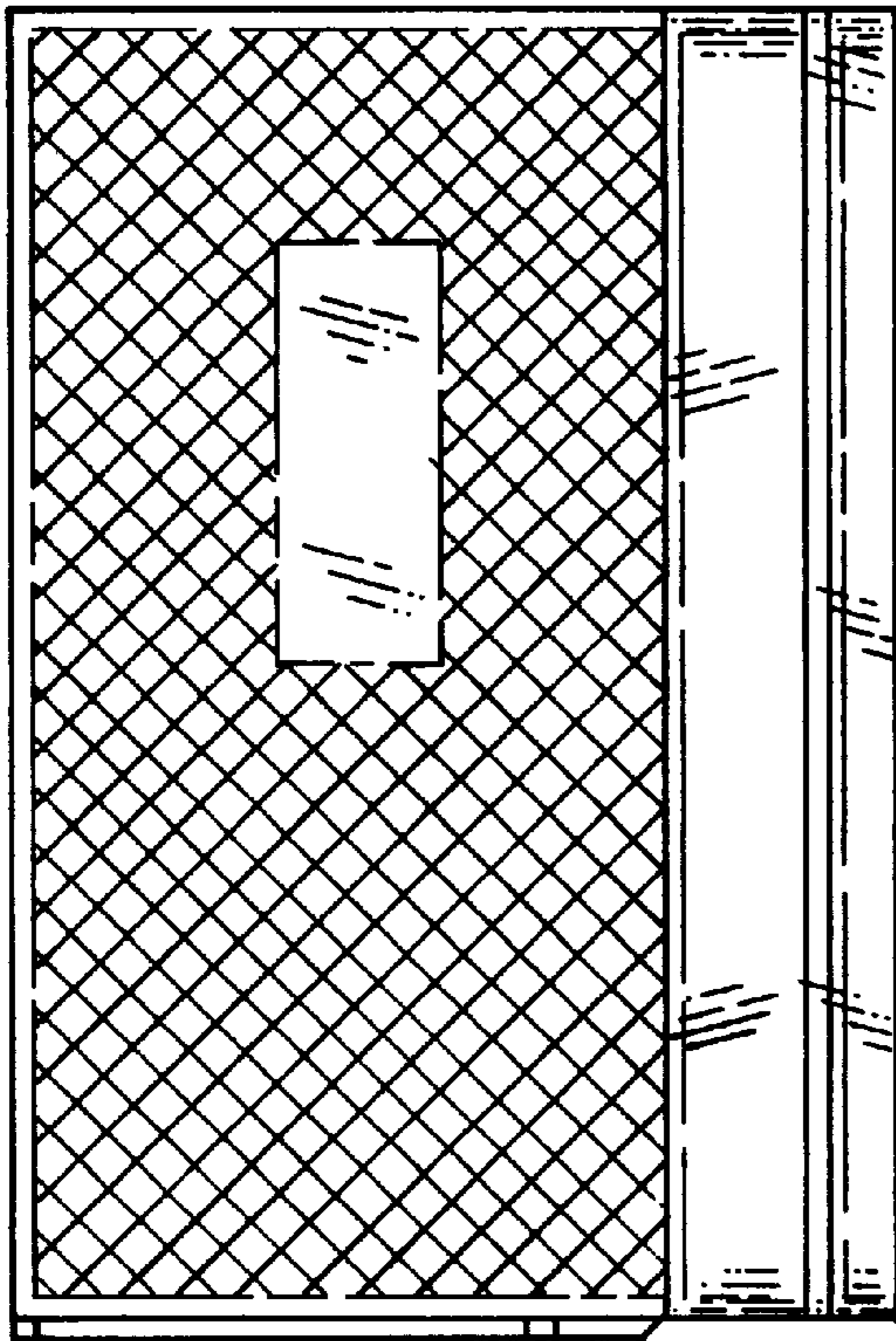


FIG. 4

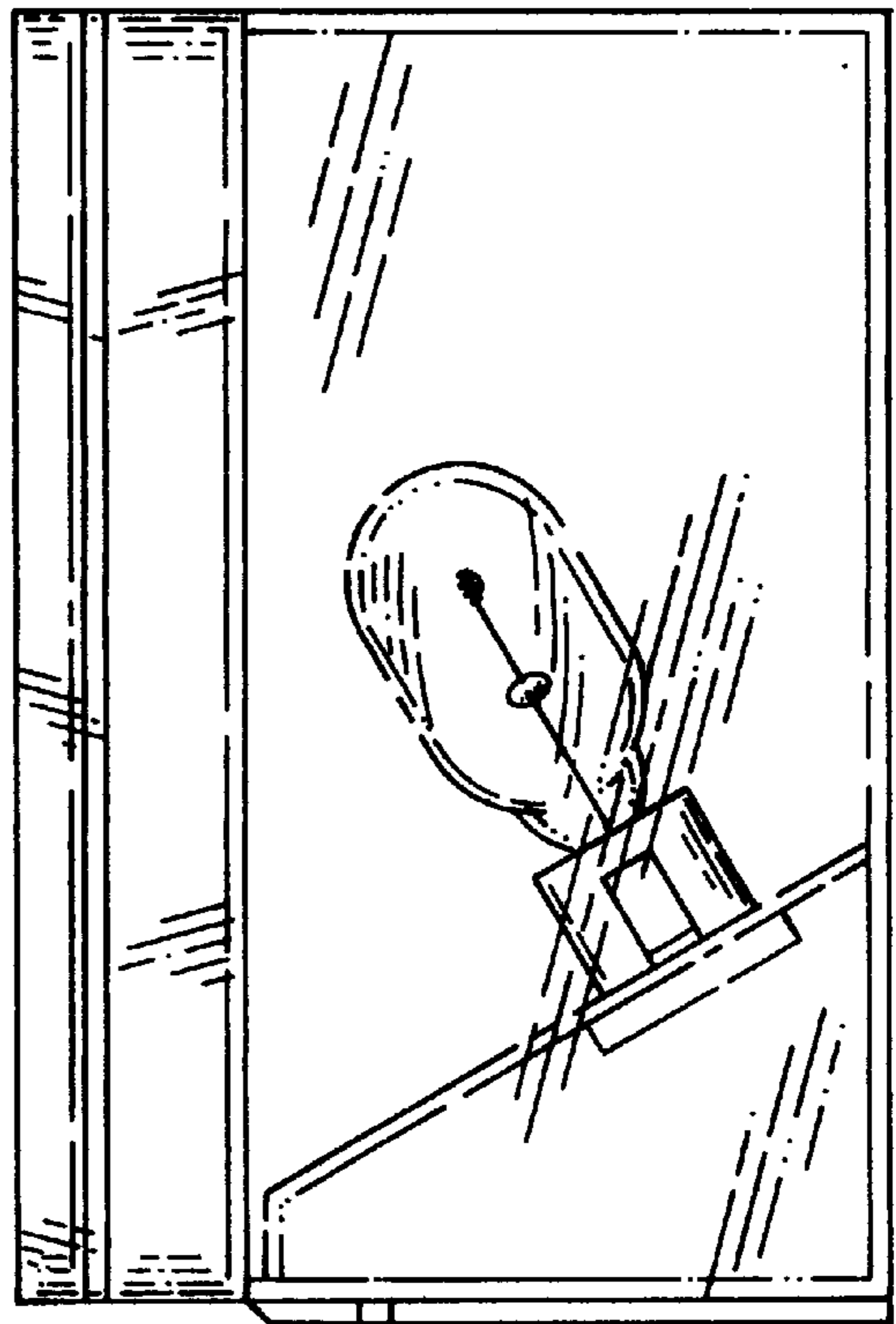


FIG. 5

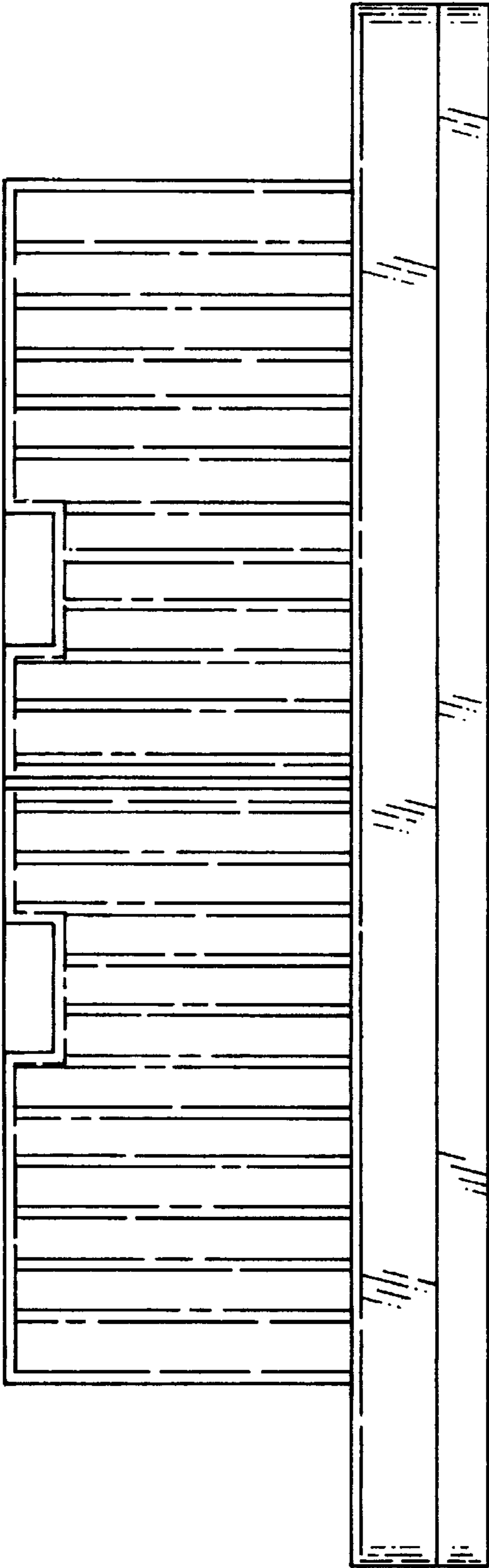


FIG. 6

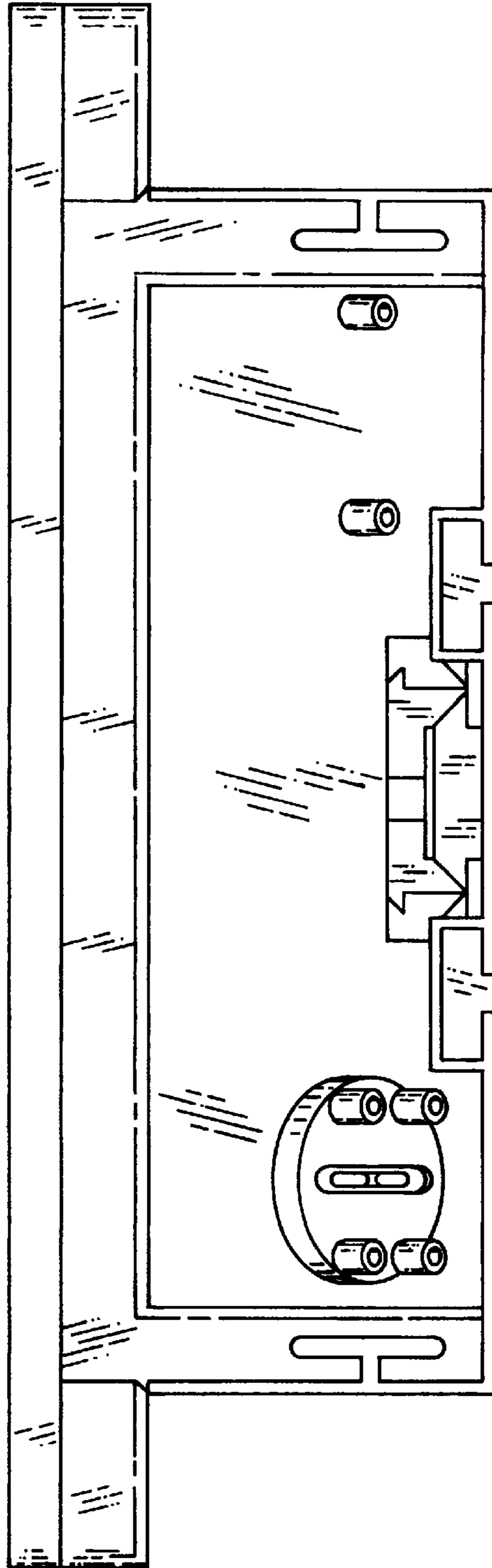


FIG. 7