



US00D422093S

United States Patent [19]

Hersh et al.

[11] Patent Number: **Des. 422,093**

[45] Date of Patent: **** Mar. 28, 2000**

[54] WINDOW COMPONENT EXTRUSION

[75] Inventors: **Jeffrey B. Hersh**, Wayne, Pa.; **Dennis Westphal**, Parma, Mich.; **Brian Opielski**, Malvern, Pa.; **Jerome C. Habeck**, Holt, Mich.

[73] Assignee: **CertainTeed Corporation**, Valley Forge, Pa.

[**] Term: **14 Years**

[21] Appl. No.: **29/098,601**

[22] Filed: **Dec. 29, 1998**

[51] LOC (6) Cl. **25-01**

[52] U.S. Cl. **D25/124**

[58] Field of Search D25/52, 60, 119-125; 49/501, 504, 181, DIG. 2; 52/204.5

[56] **References Cited**

U.S. PATENT DOCUMENTS

D. 374,938 10/1996 DiGiorgio D25/124
D. 376,658 12/1996 DiGiorgio D25/124

Primary Examiner—Doris Clark
Attorney, Agent, or Firm—Duane, Morris & Heckscher LLP

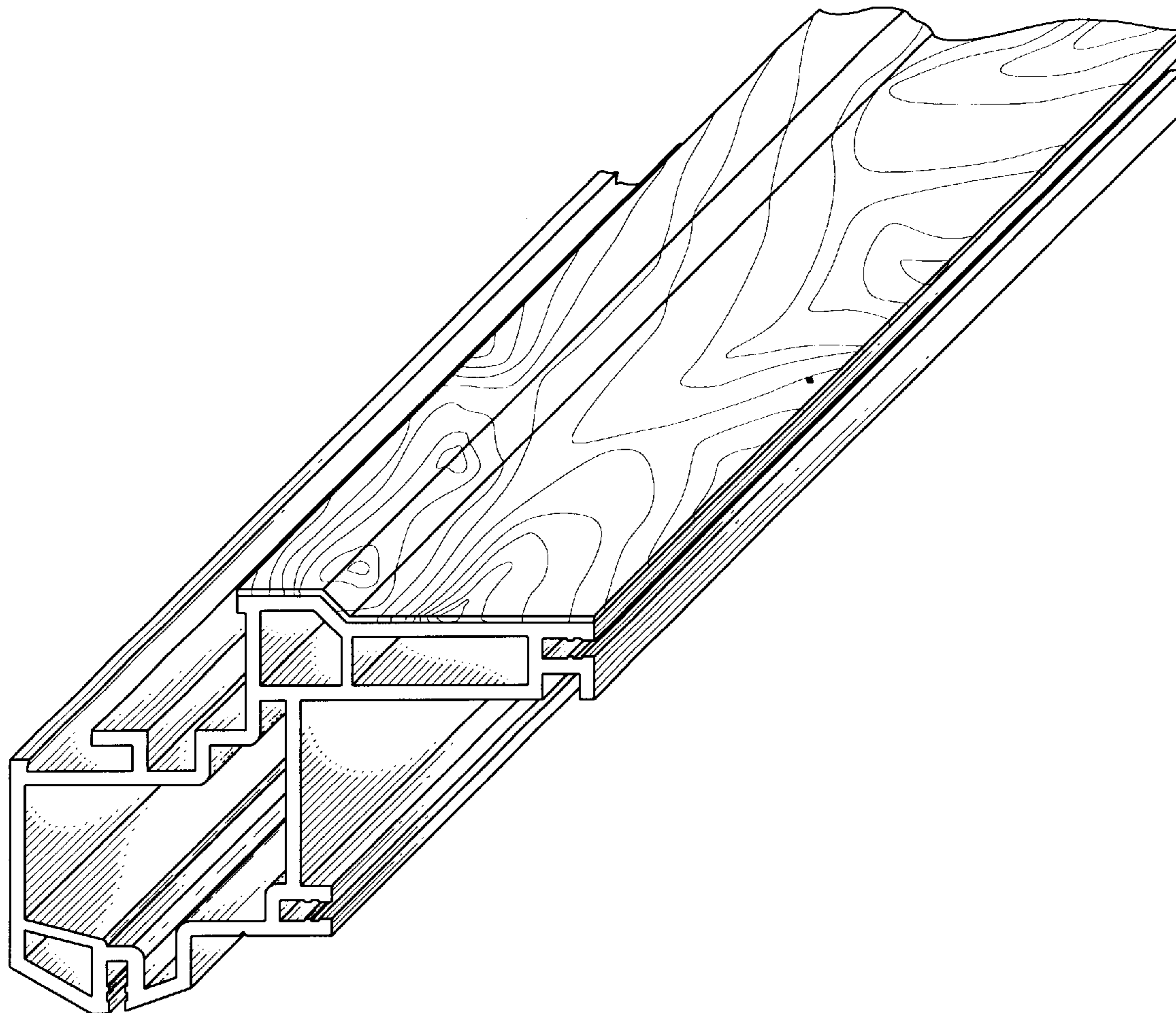
[57] **CLAIM**

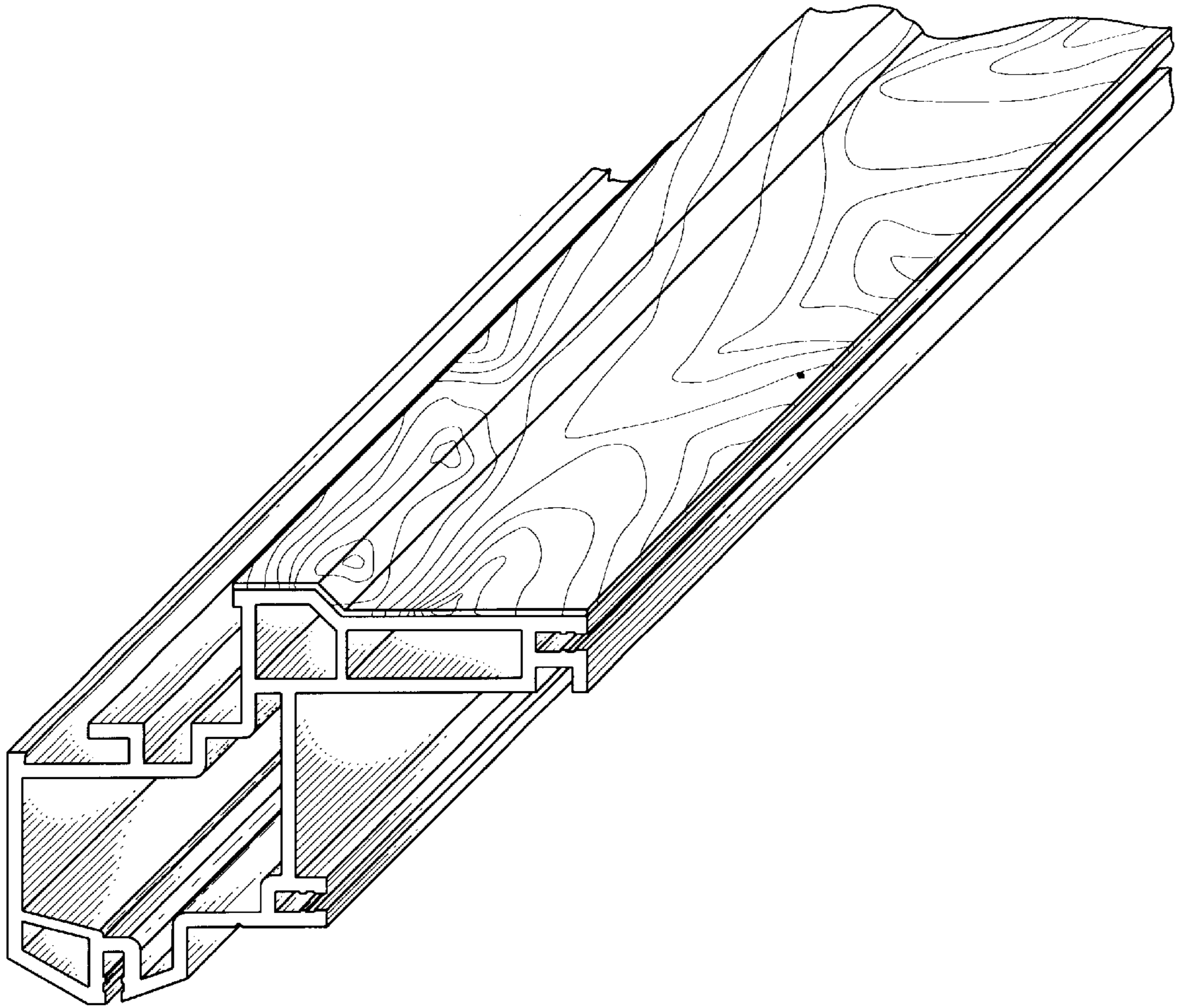
The ornamental design for a window component extrusion, as shown and described.

DESCRIPTION

The FIGURE is a broken front perspective view of a window component extrusion showing our new design, the rear perspective view being a mirror image thereof.

1 Claim, 1 Drawing Sheet





THE FIGURE