



US00D422092S

United States Patent [19] Perkins

[11] **Patent Number: Des. 422,092**
[45] **Date of Patent: ** Mar. 28, 2000**

[54] **KEYLOCK FACING PANEL**
[75] Inventor: **Garry R. Perkins**, Rolling Meadows, Ill.
[73] Assignee: **Surebond, Inc.**, Schaumburg, Ill.
[**] Term: **14 Years**
[21] Appl. No.: **29/096,100**
[22] Filed: **Nov. 4, 1998**

D. 299,067 12/1988 Forsberg D25/58
D. 301,064 5/1989 Forsberg D25/116
D. 314,240 1/1991 Scheiwiller D25/113
D. 317,048 5/1991 Forsberg D25/114
860,565 7/1907 Peetz 52/604
3,766,699 10/1973 Dinkel 52/591.4
5,337,527 8/1994 Wagenaar 52/604
5,353,569 10/1994 Rodrique 52/604
5,361,557 11/1994 Snyder et al. 52/604
5,465,544 11/1995 Ghahary D25/113

Related U.S. Application Data

[62] Division of application No. 29/042,710, Jul. 19, 1995, Pat. No. Des. 404,146.
[51] **LOC (6) Cl.** **25-01**
[52] **U.S. Cl.** **D25/113**
[58] **Field of Search** D25/103, 113-118, D25/58; D21/483, 484, 503, 489, 492; 52/592.1, 592.4, 592.6, 591.4, 604, 596, 598, 597

Primary Examiner—Raphael Barkai
Attorney, Agent, or Firm—Fitch, Even, Tabin & Flannery

[57] CLAIM

I claim the ornamental design for a keylock facing panel, as shown and described.

DESCRIPTION

FIG. 1 is a perspective view of a keylock facing panel showing my new design; and,
FIG. 2 is a perspective view of a modified embodiment of the design shown in FIG. 1.

[56] References Cited

U.S. PATENT DOCUMENTS

D. 254,450 3/1980 Pulse et al. D25/117

1 Claim, 1 Drawing Sheet

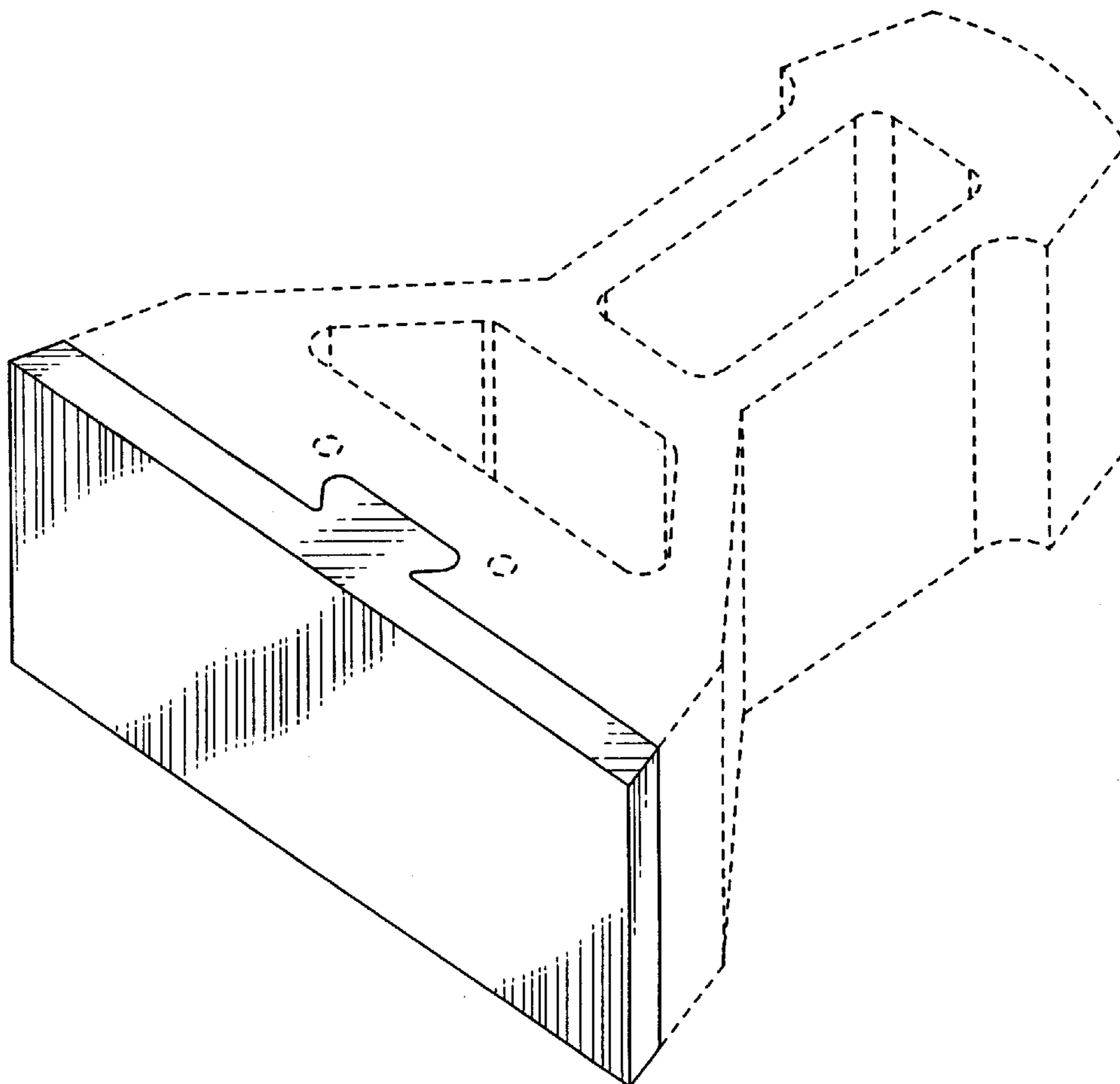


Fig. 1

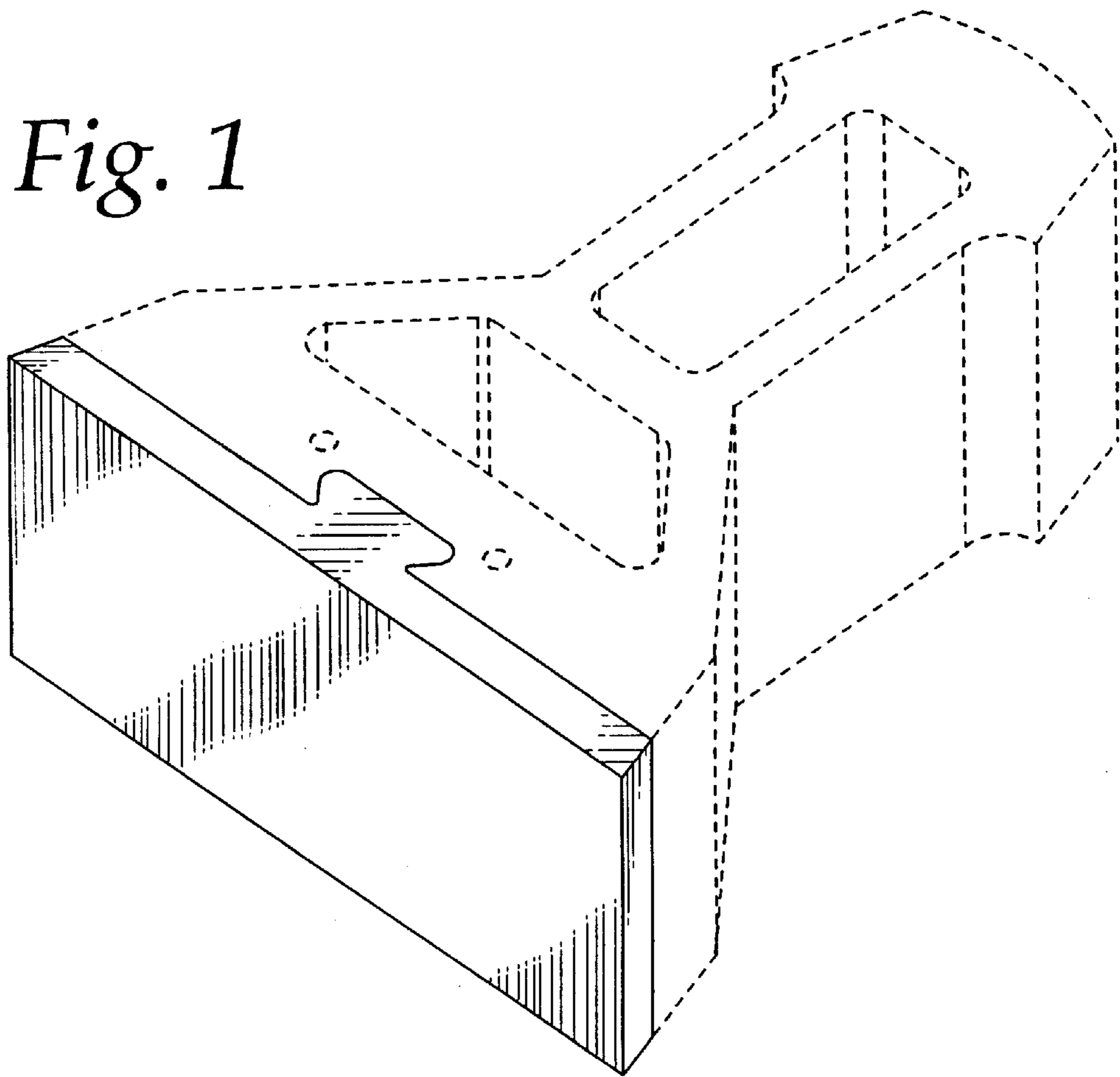


Fig. 2

