



US00D422091S

**United States Patent** [19]  
**Michelsen**

[11] **Patent Number: Des. 422,091**

[45] **Date of Patent: \*\* Mar. 28, 2000**

[54] **LADDER LEVELER**

4,699,247 10/1987 Clarke ..... 182/107  
5,339,921 8/1994 Faupel ..... D25/68

[76] Inventor: **Peter D. Michelsen**, R.R. 1. Box 180,  
Peru, Vt. 05152

*Primary Examiner*—Doris Clark

[\*\*] Term: **14 Years**

[57] **CLAIM**

[21] Appl. No.: **29/085,105**

The ornamental design for a ladder leveler, as shown and described.

[22] Filed: **Mar. 16, 1998**

**DESCRIPTION**

[51] **LOC (6) Cl.** ..... **25-04**

[52] **U.S. Cl.** ..... **D25/68**

[58] **Field of Search** ..... D25/68; 182/107,  
182/108, 109

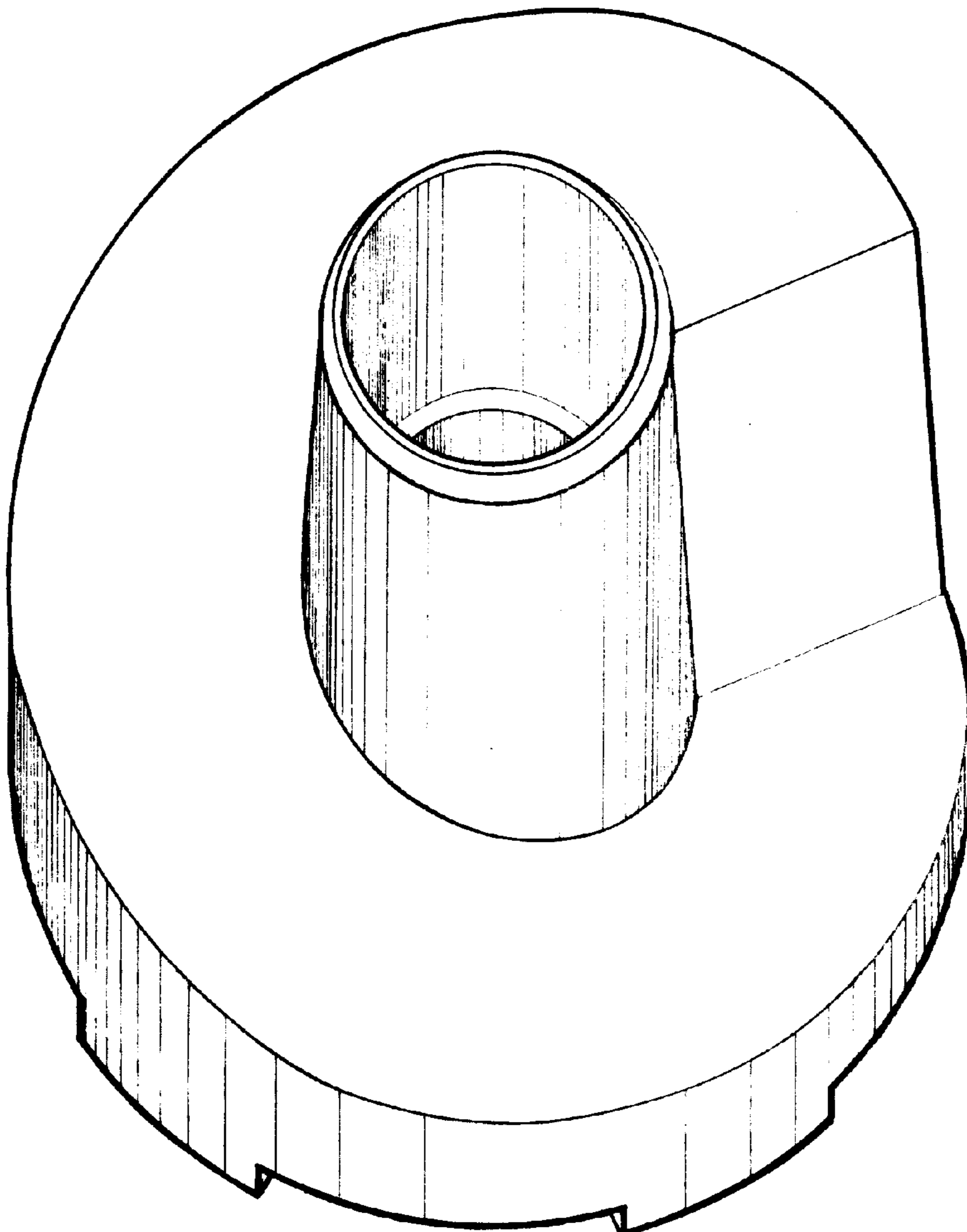
FIG. 1 is a perspective view;  
FIG. 2 is a left side view;  
FIG. 3 is a top plan view;  
FIG. 4 is a right side view; and,  
FIG. 5 is a bottom plan view.

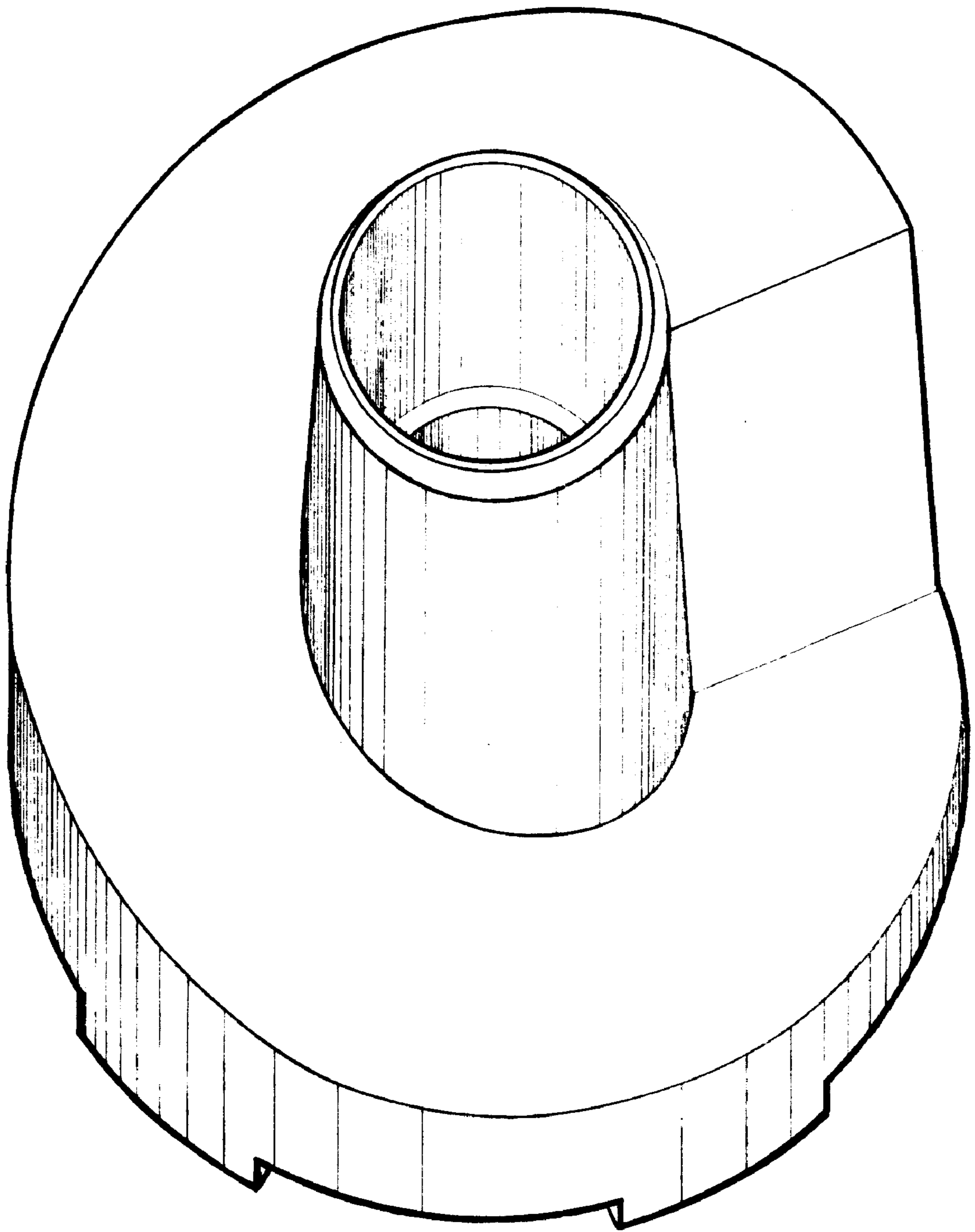
[56] **References Cited**

**U.S. PATENT DOCUMENTS**

4,069,890 1/1978 Gottliebisen ..... 182/108

**1 Claim, 5 Drawing Sheets**





**FIG. 1**

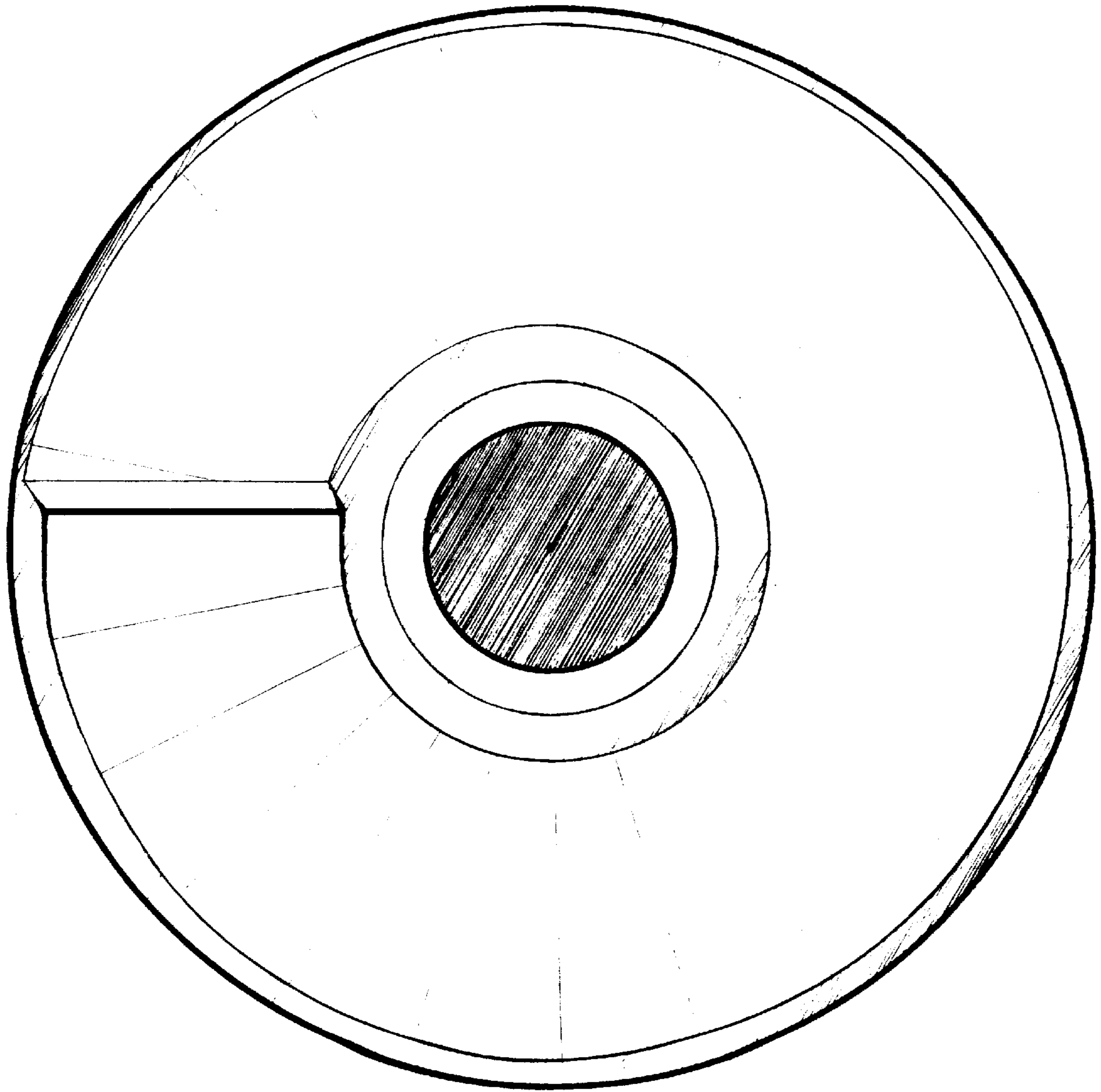


FIG. 2

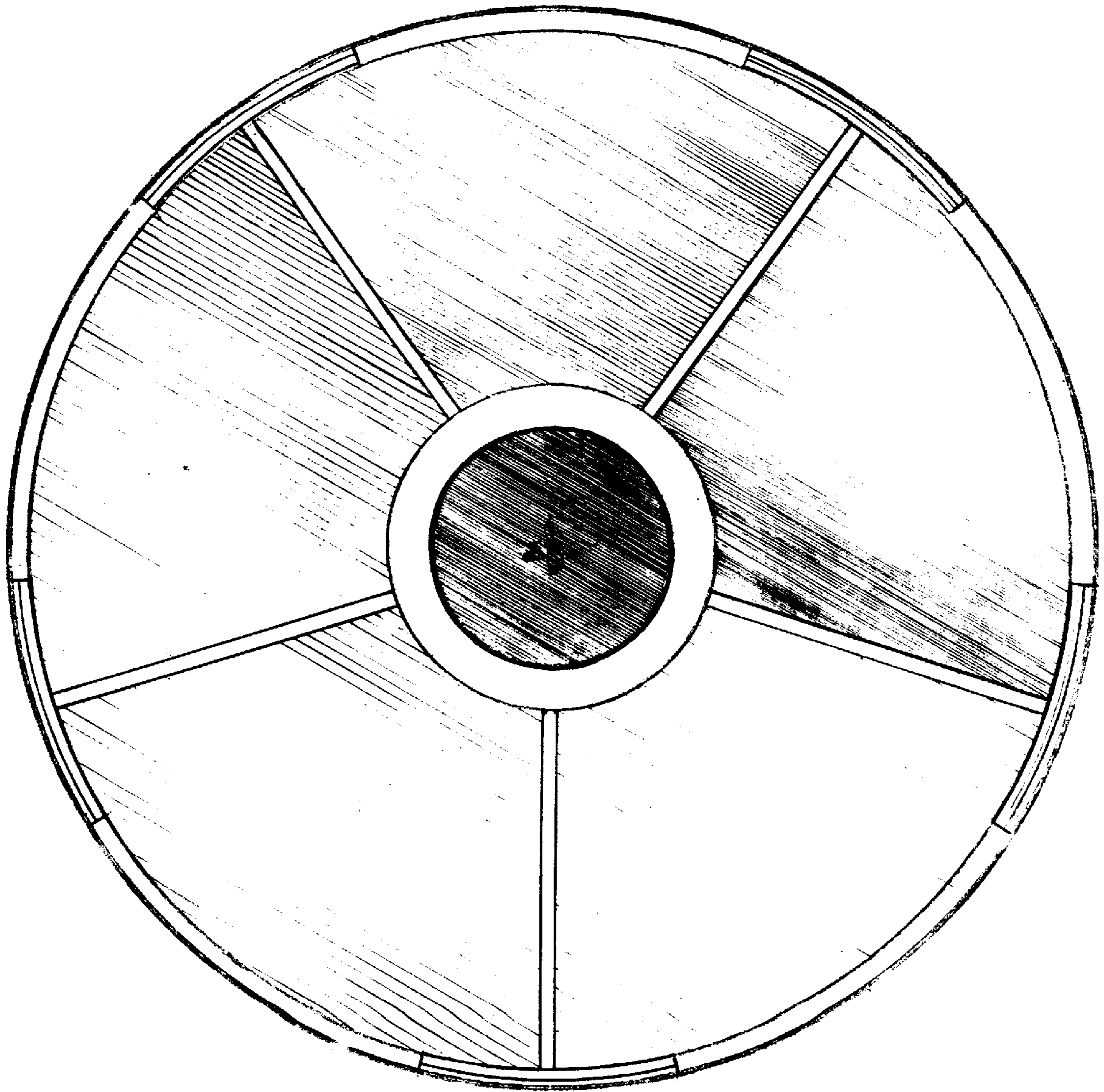


FIG. 3

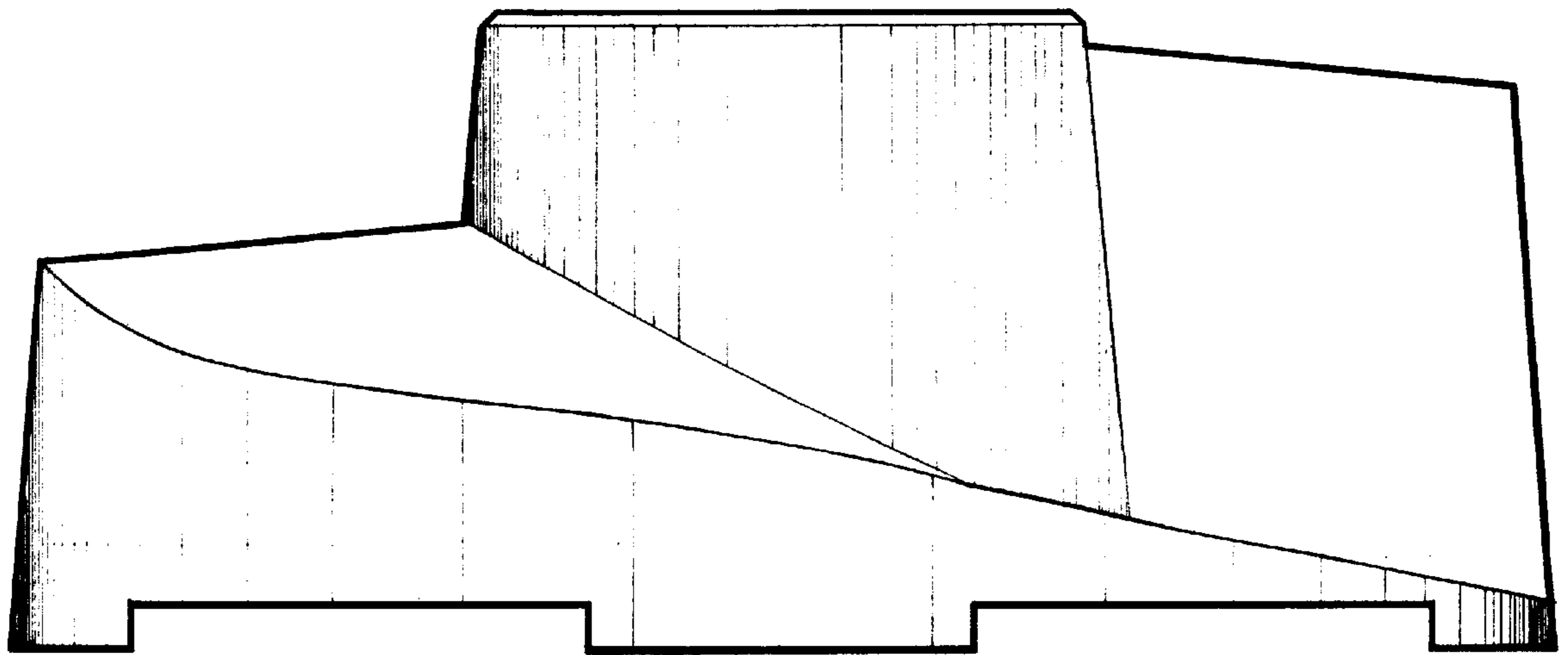


FIG. 4

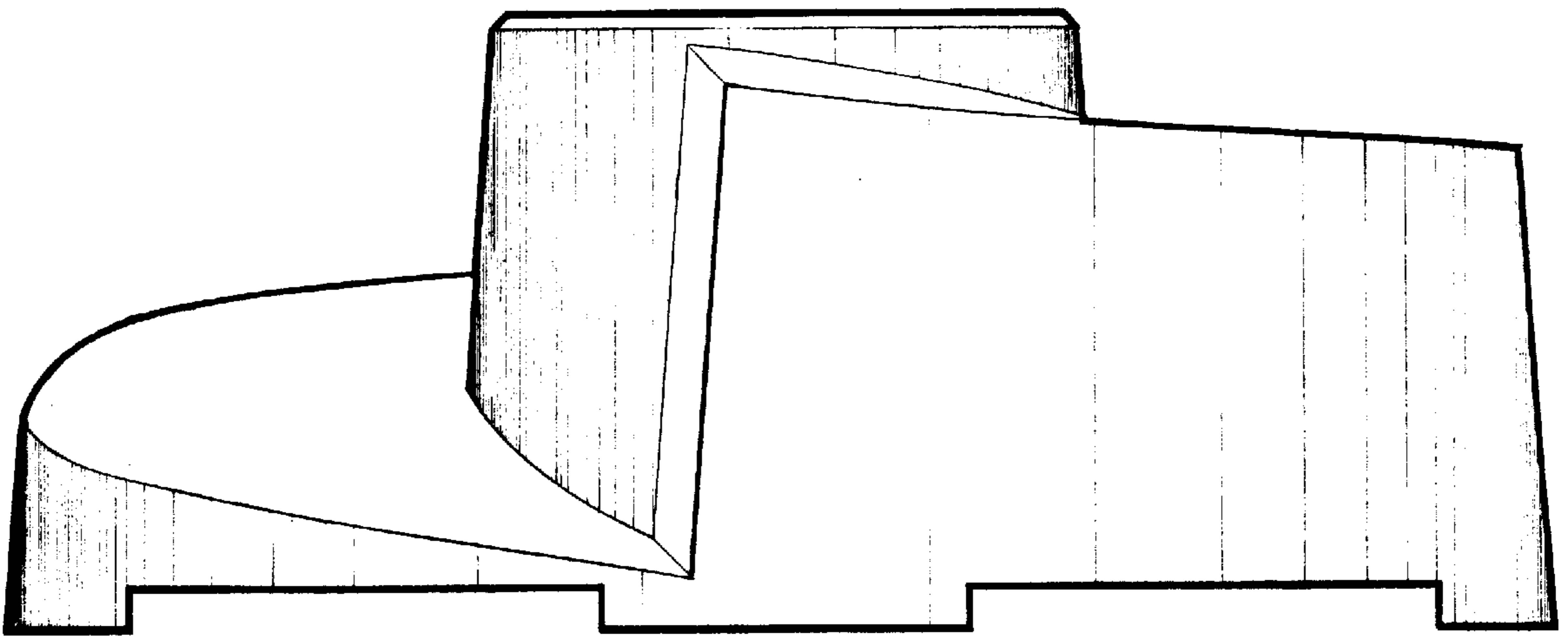


FIG. 5