



US00D422084S

United States Patent [19]
Mickelson

[11] **Patent Number: Des. 422,084**

[45] **Date of Patent: ** Mar. 28, 2000**

[54] **MASSAGER**

[76] Inventor: **Kathy Mickelson**, 2217 Hillside Dr.,
Missoula, Mont. 59803

[**] Term: **14 Years**

[21] Appl. No.: **29/104,199**

[22] Filed: **Apr. 29, 1999**

[51] **LOC (6) Cl.** **24-04**

[52] **U.S. Cl.** **D24/211; D24/214**

[58] **Field of Search** D24/211, 214,
D24/200; 601/118, 126, 134, 135, 136,
137

[56] **References Cited**

U.S. PATENT DOCUMENTS

- D. 376,015 11/1996 Newberry D24/211
- D. 382,973 8/1997 Balanchi D24/211

- D. 384,749 10/1997 Gresty-Poole D24/211
- D. 396,226 7/1998 Davis, Sr. D24/211
- D. 403,429 12/1998 Blanchard D24/211
- D. 405,886 2/1999 Haynes D24/211

Primary Examiner—Stella Reid

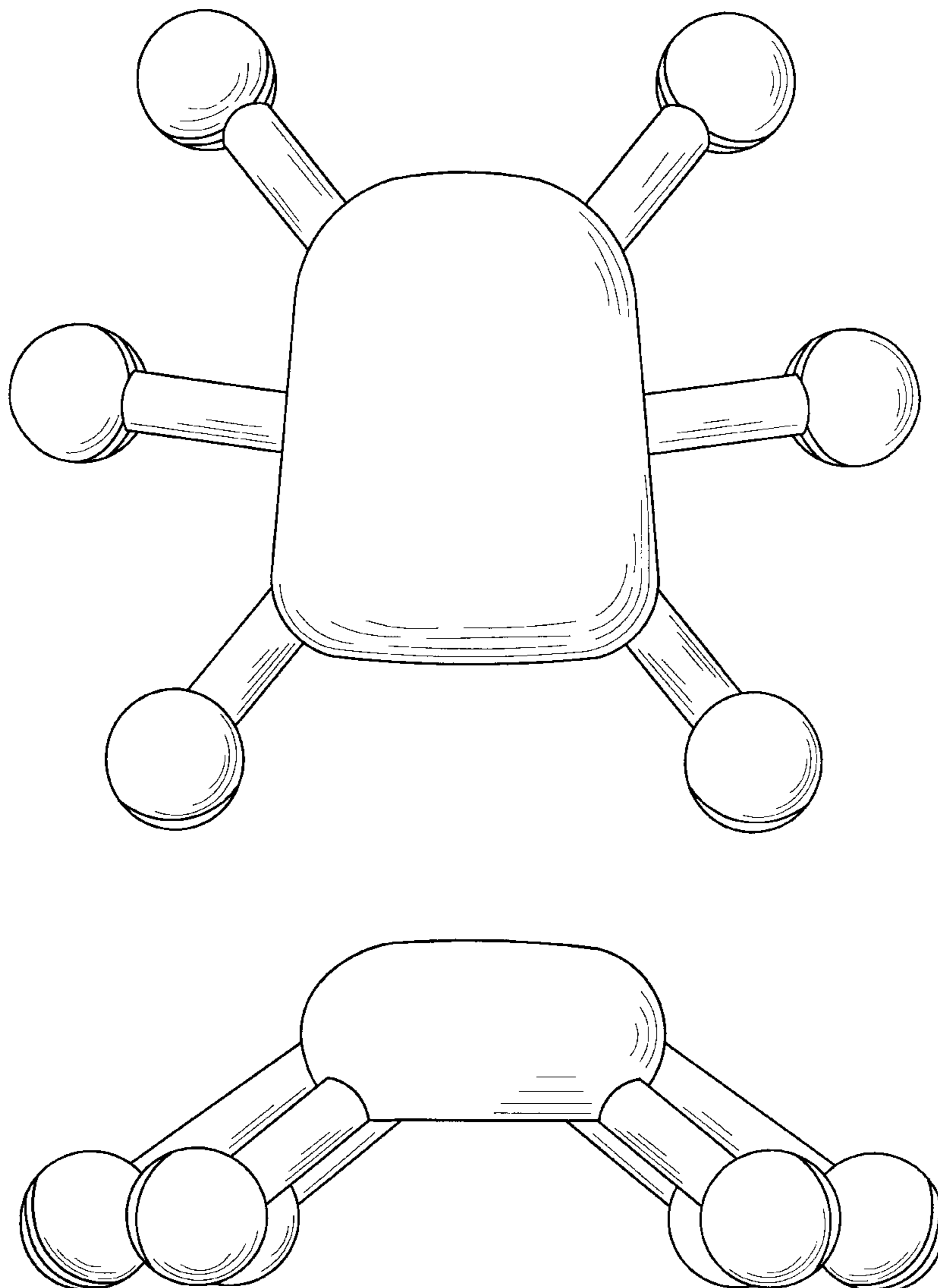
[57] **CLAIM**

The ornamental design for a massager, as shown.

DESCRIPTION

FIG. 1 is a front elevational view of a massager, showing my new design;
 FIG. 2 is a back elevational view thereof;
 FIG. 3 is a left side elevational view thereof;
 FIG. 4 is a right side elevational view thereof;
 FIG. 5 is a top plan view thereof; and,
 FIG. 6 is a bottom plan view thereof.

1 Claim, 3 Drawing Sheets



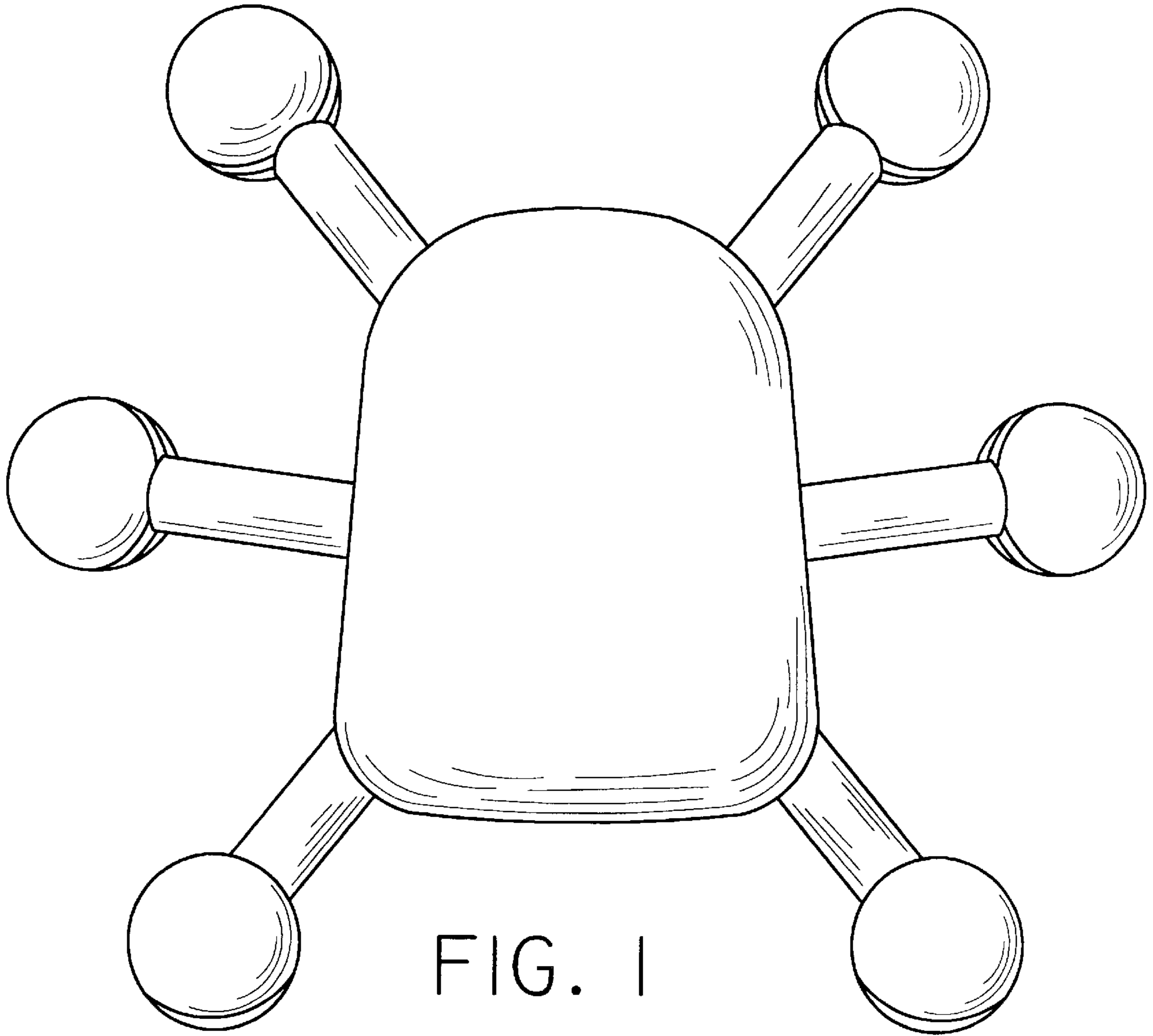


FIG. 1

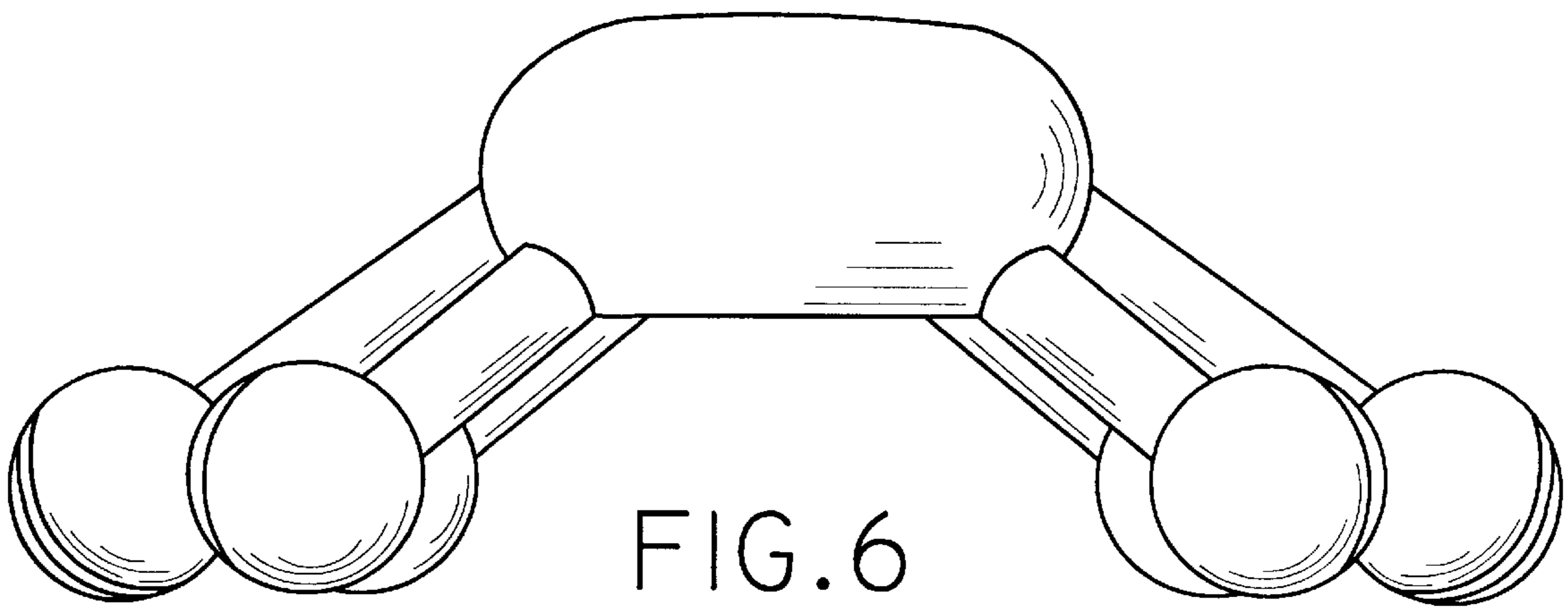


FIG. 6

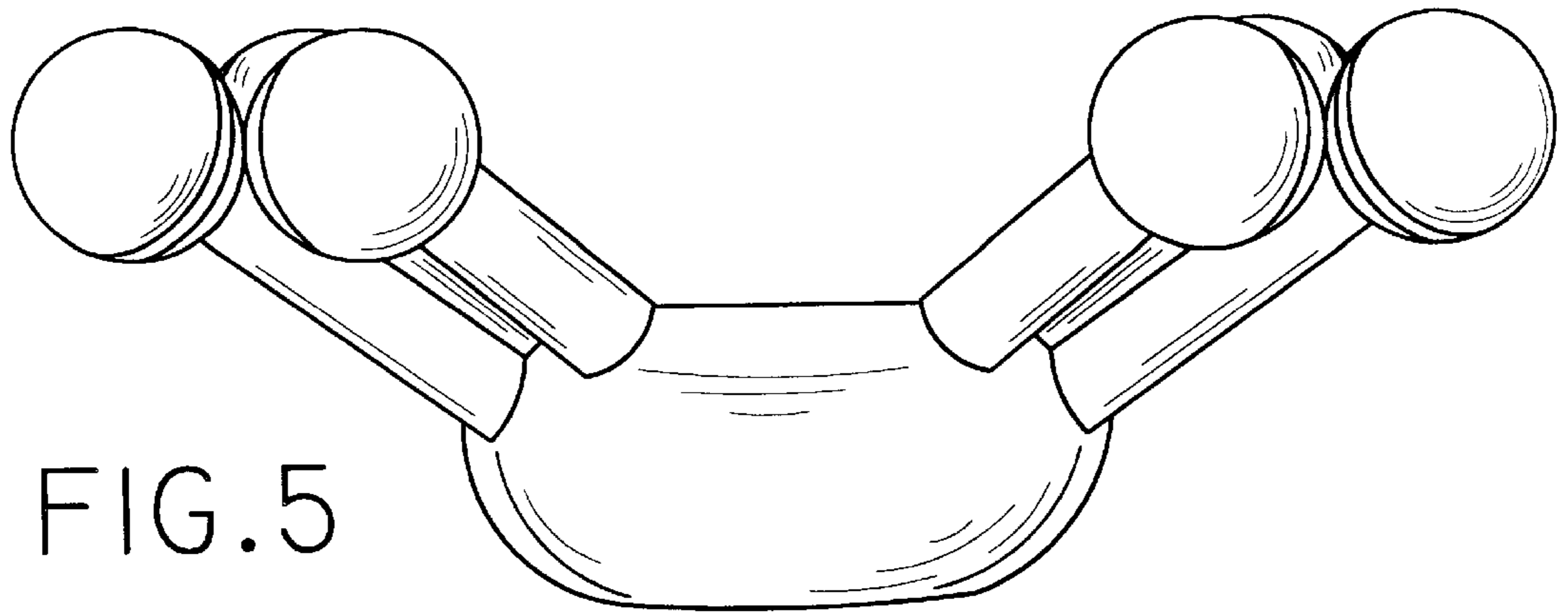


FIG. 5

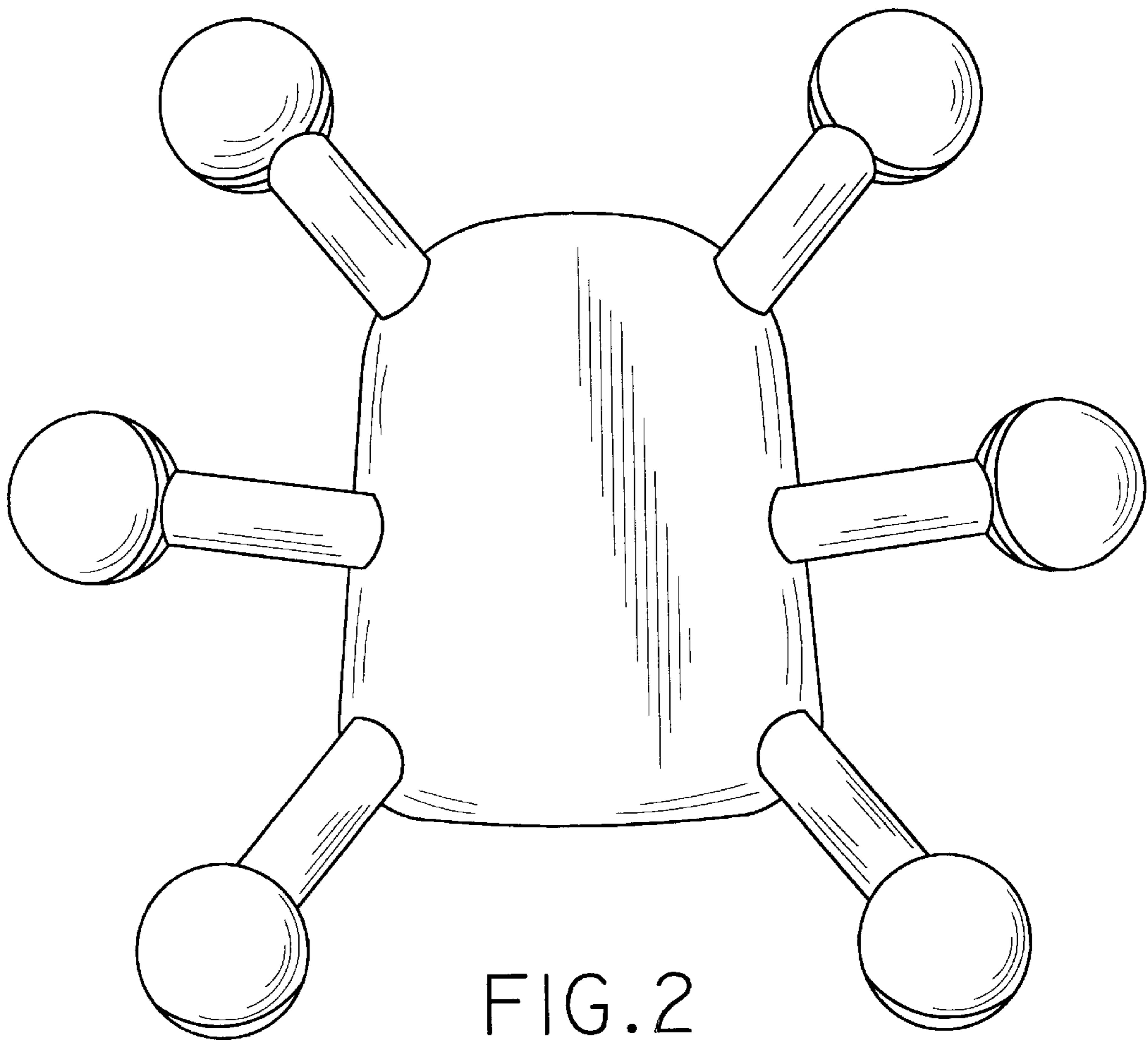


FIG. 2

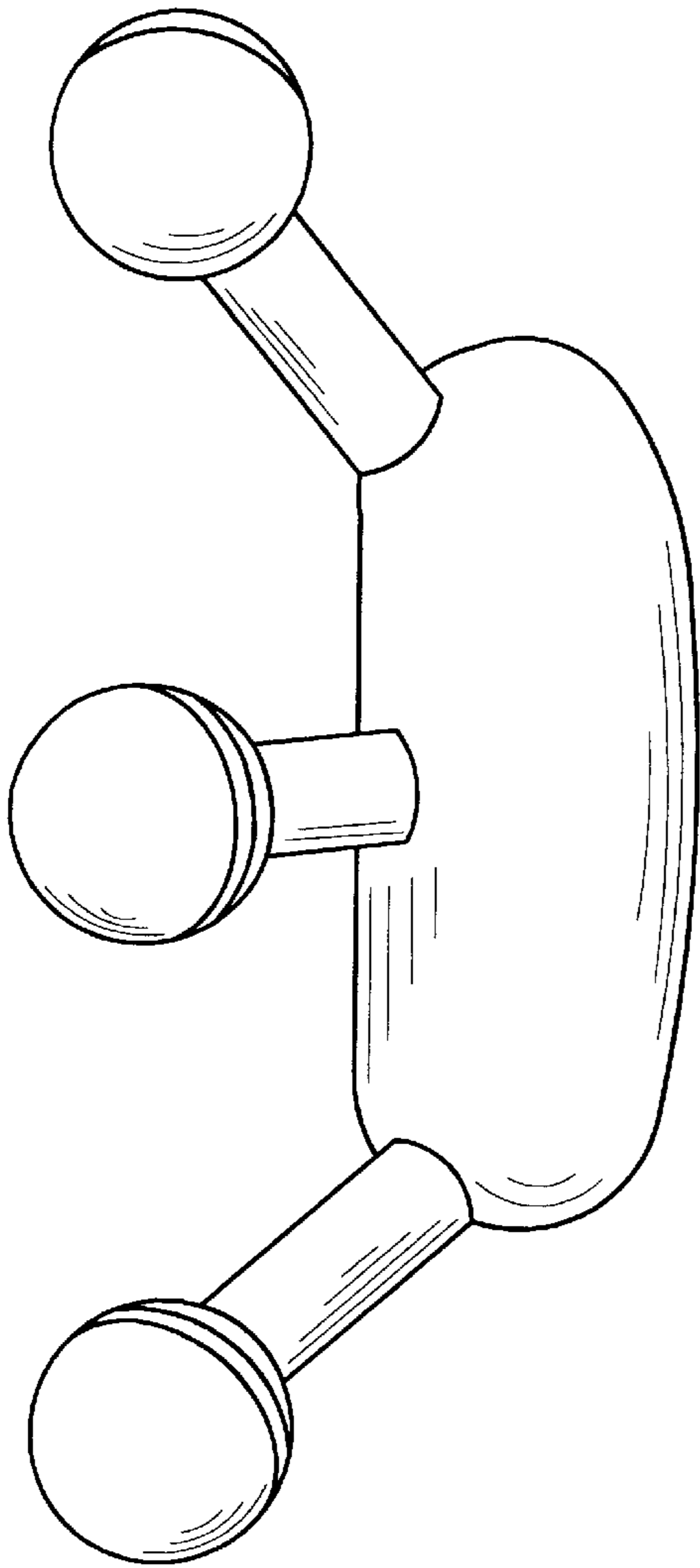


FIG. 3

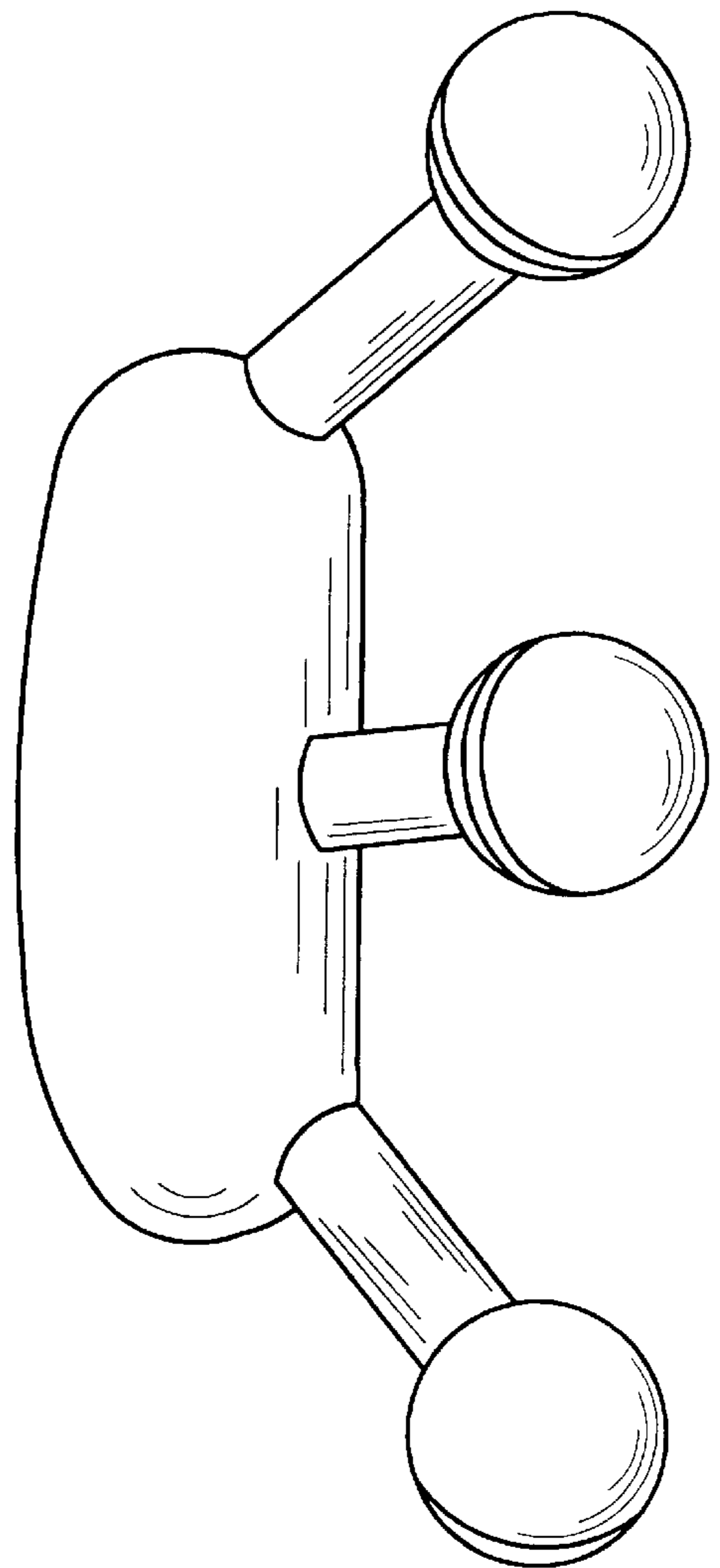


FIG. 4