



US00D422073S

United States Patent [19]

Lozzio et al.

[11] Patent Number: **Des. 422,073**

[45] Date of Patent: **** Mar. 28, 2000**

[54] **PORTABLE ELECTRIC FAN**

[75] Inventors: **Christopher Lozzio**, Medway; **Kristin Terpko**, Westborough, both of Mass.; **Stephen M. Gatchell**, Warwick, R.I.; **Jui-Shang Wang**, Taipei, Taiwan; **Kenneth David Harris, Jr.**, Boston; **Steffen Koury**, Newton, both of Mass.

[73] Assignee: **Honeywell Inc.**, Minneapolis, Minn.

[**] Term: **14 Years**

[21] Appl. No.: **29/102,162**

[22] Filed: **Mar. 18, 1999**

[51] **LOC (6) Cl.** **23-04**

[52] **U.S. Cl.** **D23/382; D23/381**

[58] **Field of Search** D23/381, 382, D23/332, 328, 370, 412, 411; 248/676; D6/462, 312, 499; 416/247 R, 246

[56] **References Cited**

U.S. PATENT DOCUMENTS

D. 276,550	11/1984	Kouno et al.	D23/155
D. 306,903	3/1990	Shin-Chin	D23/382
D. 323,708	2/1992	Wang	D23/382
D. 339,859	9/1993	Cheslock	D23/382
D. 346,019	4/1994	Cheslock et al.	D23/382
D. 354,558	1/1995	Marvin et al.	D23/411
D. 358,639	5/1995	Chiu	D23/411
D. 359,116	6/1995	Marvin et al.	D23/382

D. 374,071	9/1996	Wang et al.	D23/382
D. 405,520	2/1999	Birdsell et al.	D23/382
2,100,923	11/1937	Schmidt et al.	D23/382
5,295,811	3/1994	Chiu	417/423.15

OTHER PUBLICATIONS

1994 Duracraft catalog sheet for DT-20 fan.
1994 Duracraft catalog sheet for DF-1820 fan.

Primary Examiner—Lisa Lichtenstein
Attorney, Agent, or Firm—Robert B. Leonard

[57] **CLAIM**

The ornamental design for a portable electric fan, as shown and described.

DESCRIPTION

FIG. 1 is a front perspective view of a portable electric fan showing our design.

FIG. 2 is a front elevational view of the portable electric fan shown in FIG. 1.

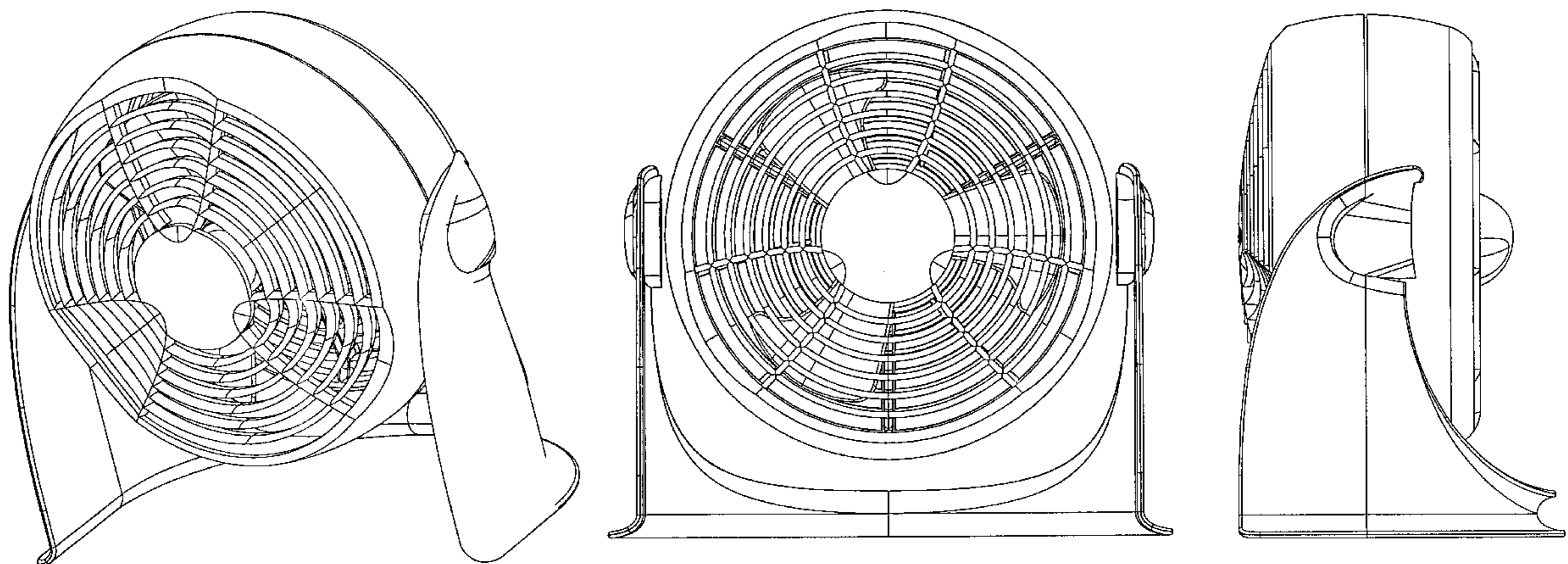
FIG. 3 is a rear elevational view of the portable electric fan shown in FIG. 1.

FIG. 4 is a left side elevational view of the portable electric fan shown in FIG. 1, the right side being a mirror image of the left side view.

FIG. 5 is a top plan view of the portable electric fan shown in FIG. 1; and,

FIG. 6 is a bottom plan view of the portable electric fan shown in FIG. 1.

1 Claim, 6 Drawing Sheets



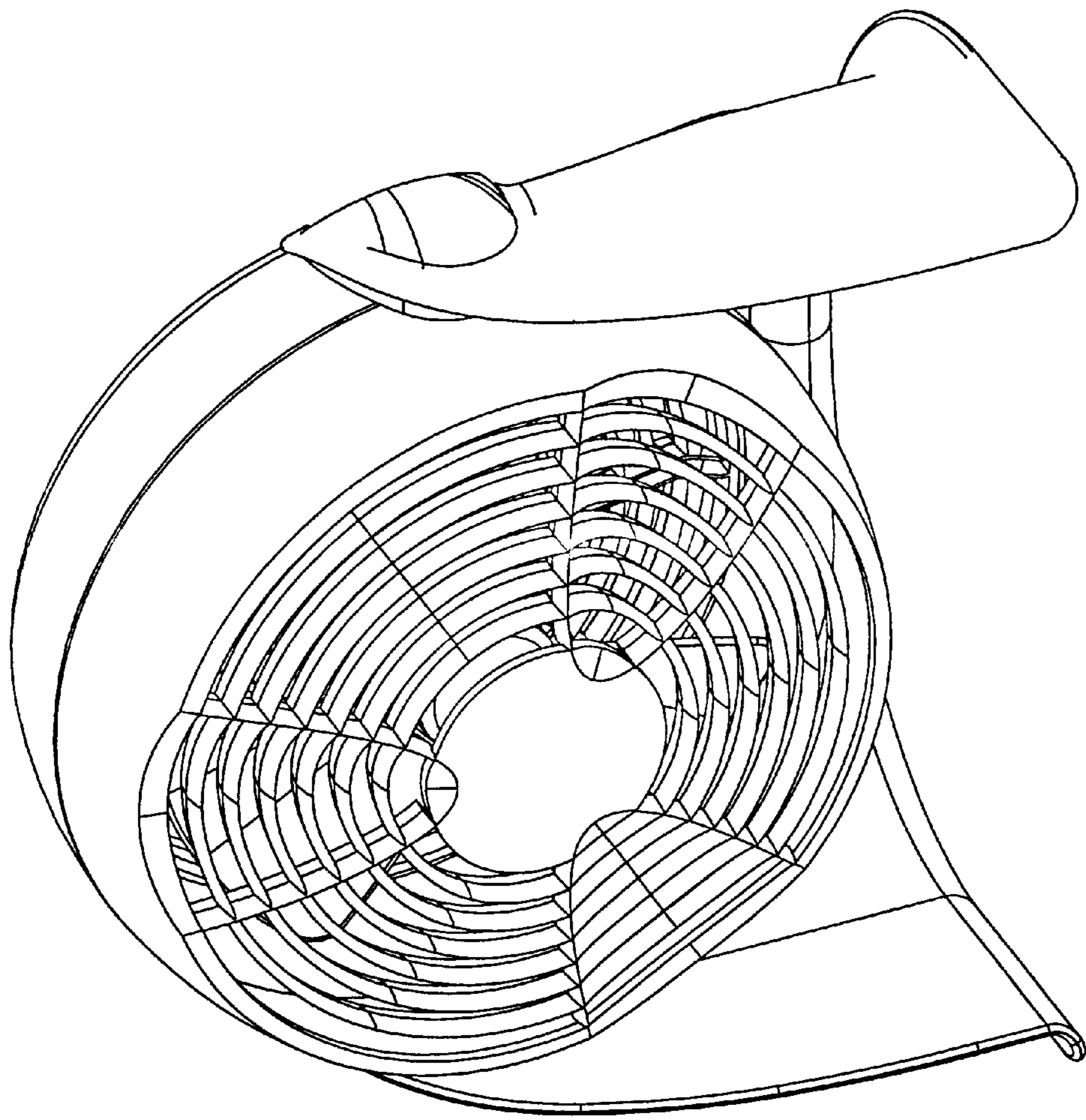


FIGURE 1

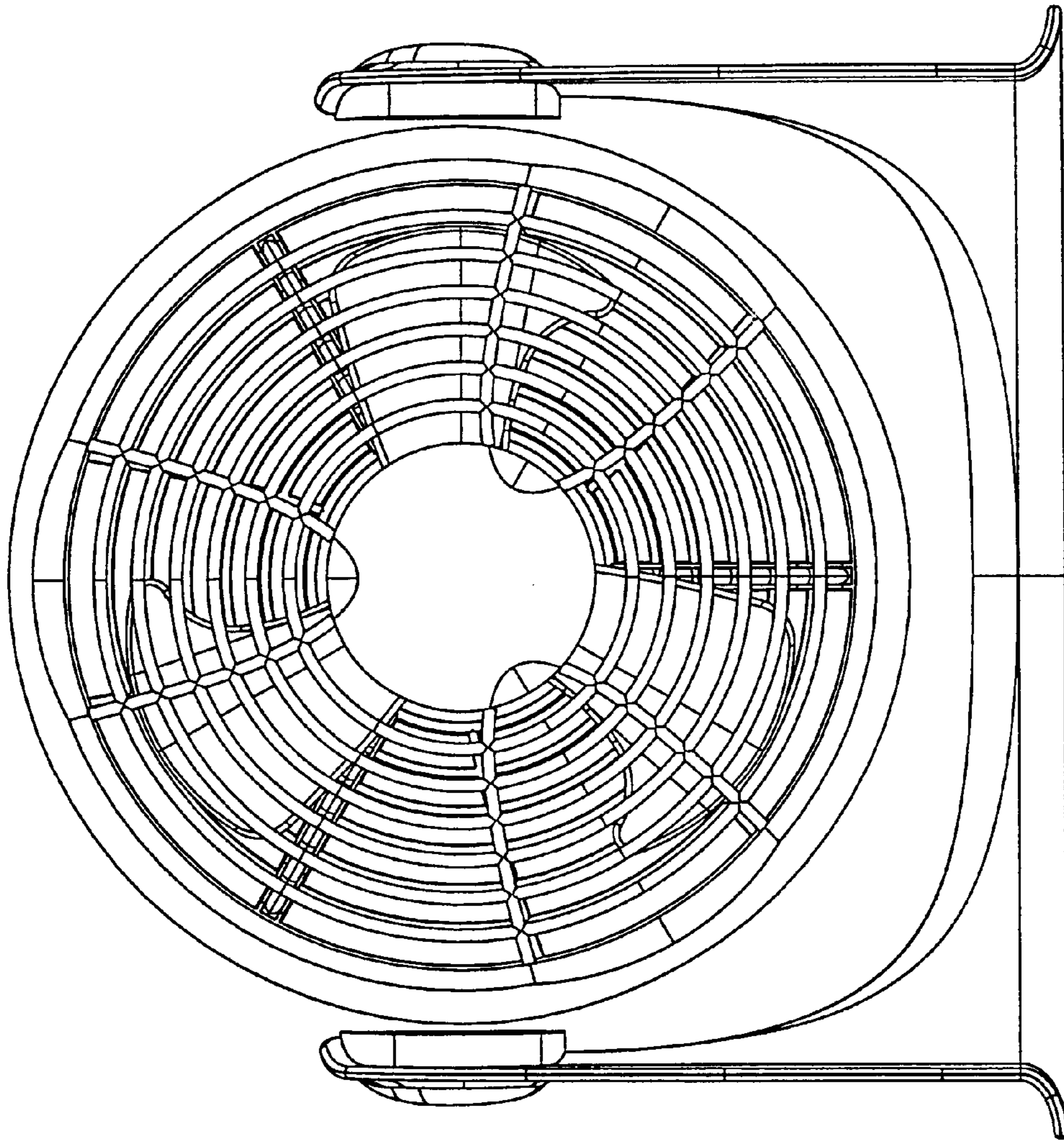


FIGURE 2

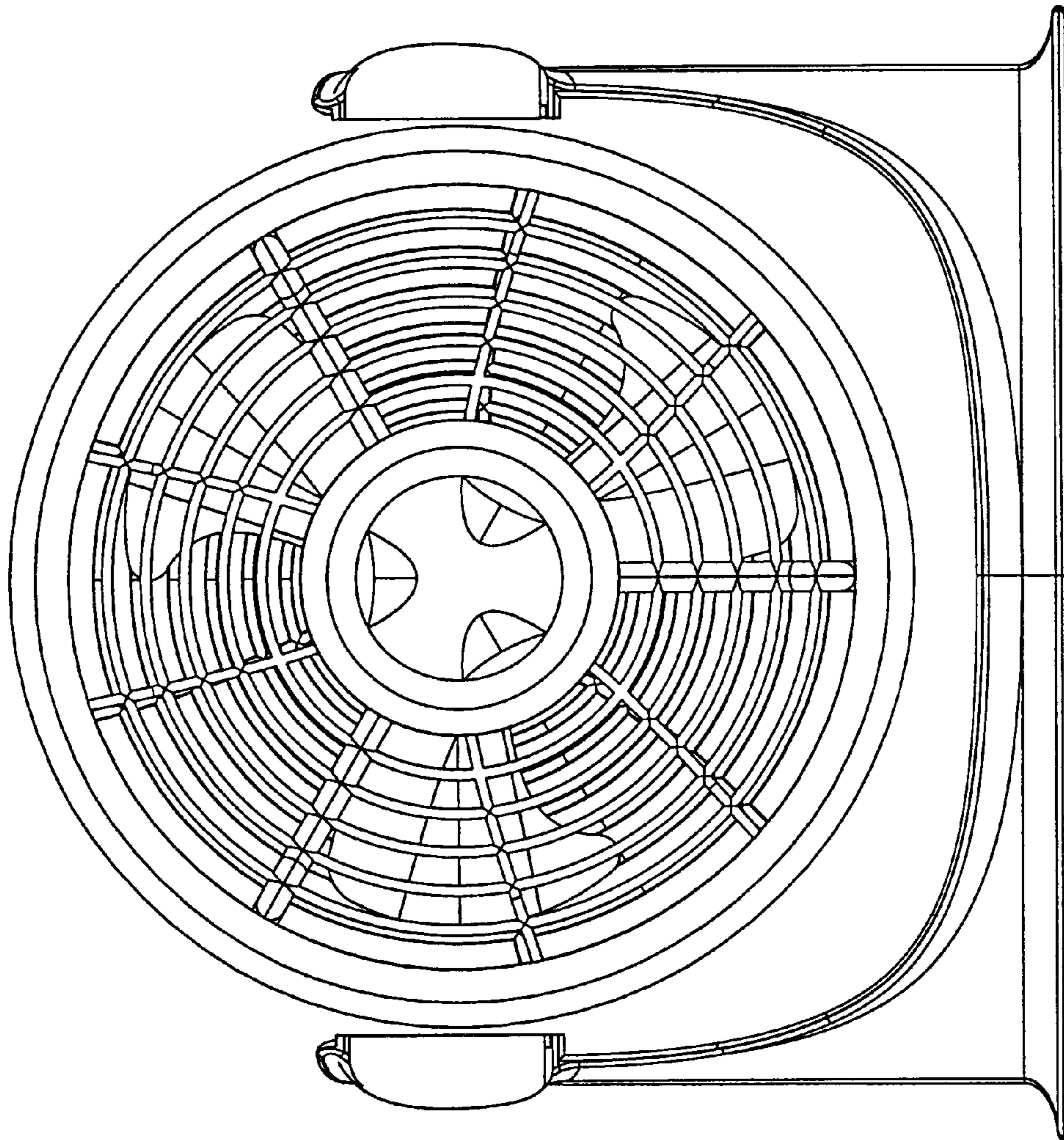


FIGURE 3

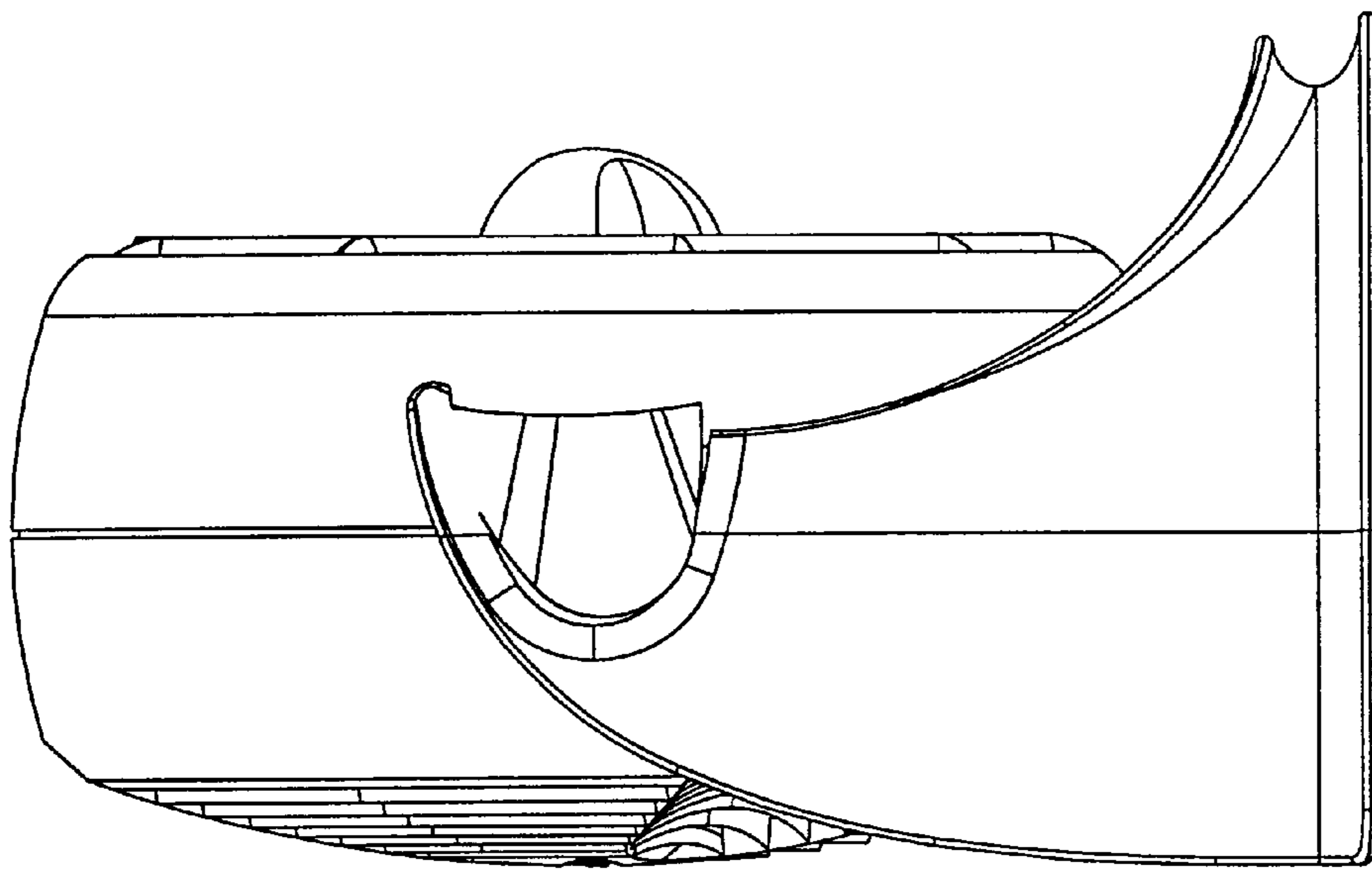


FIGURE 4

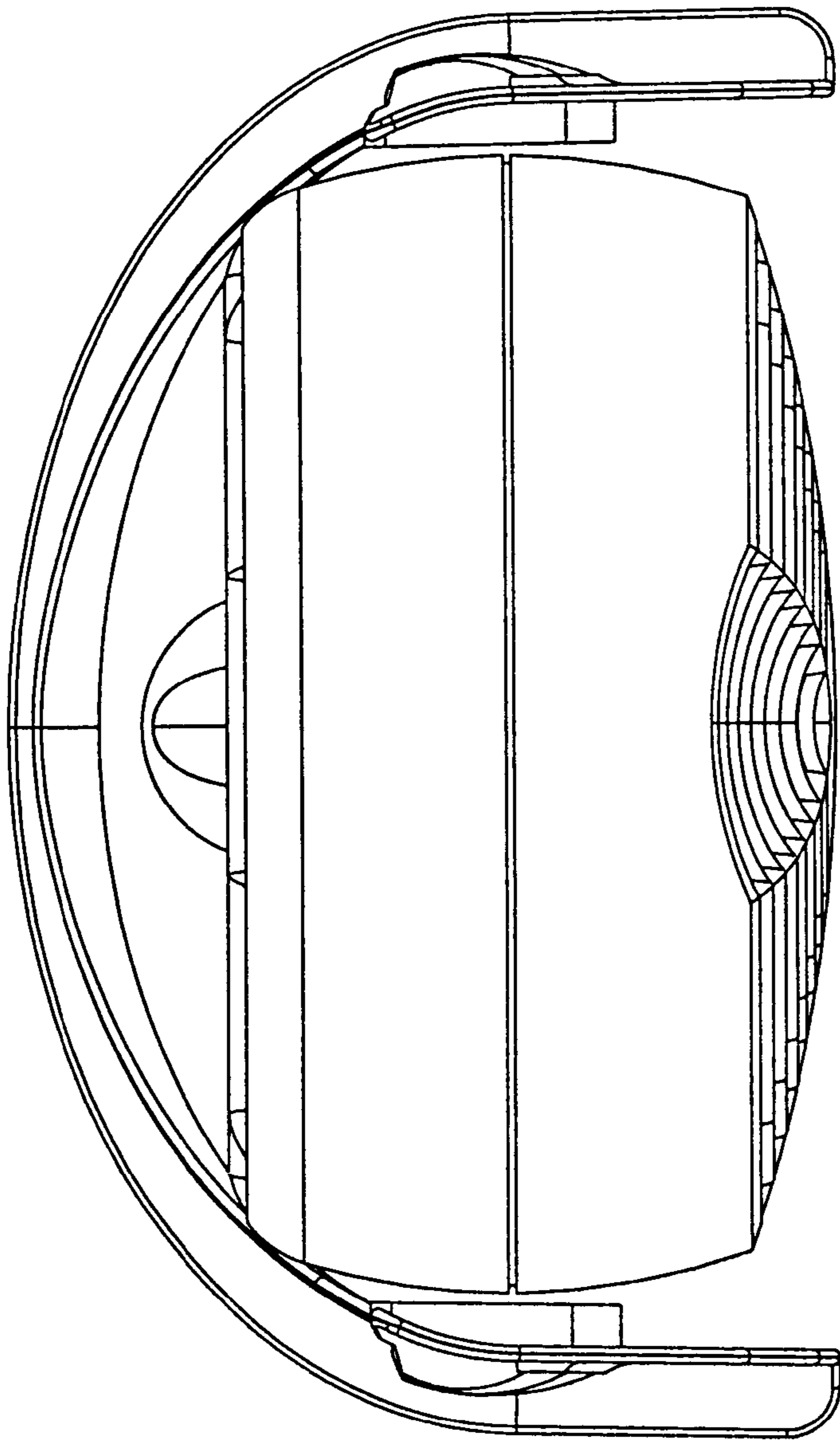


FIGURE 5

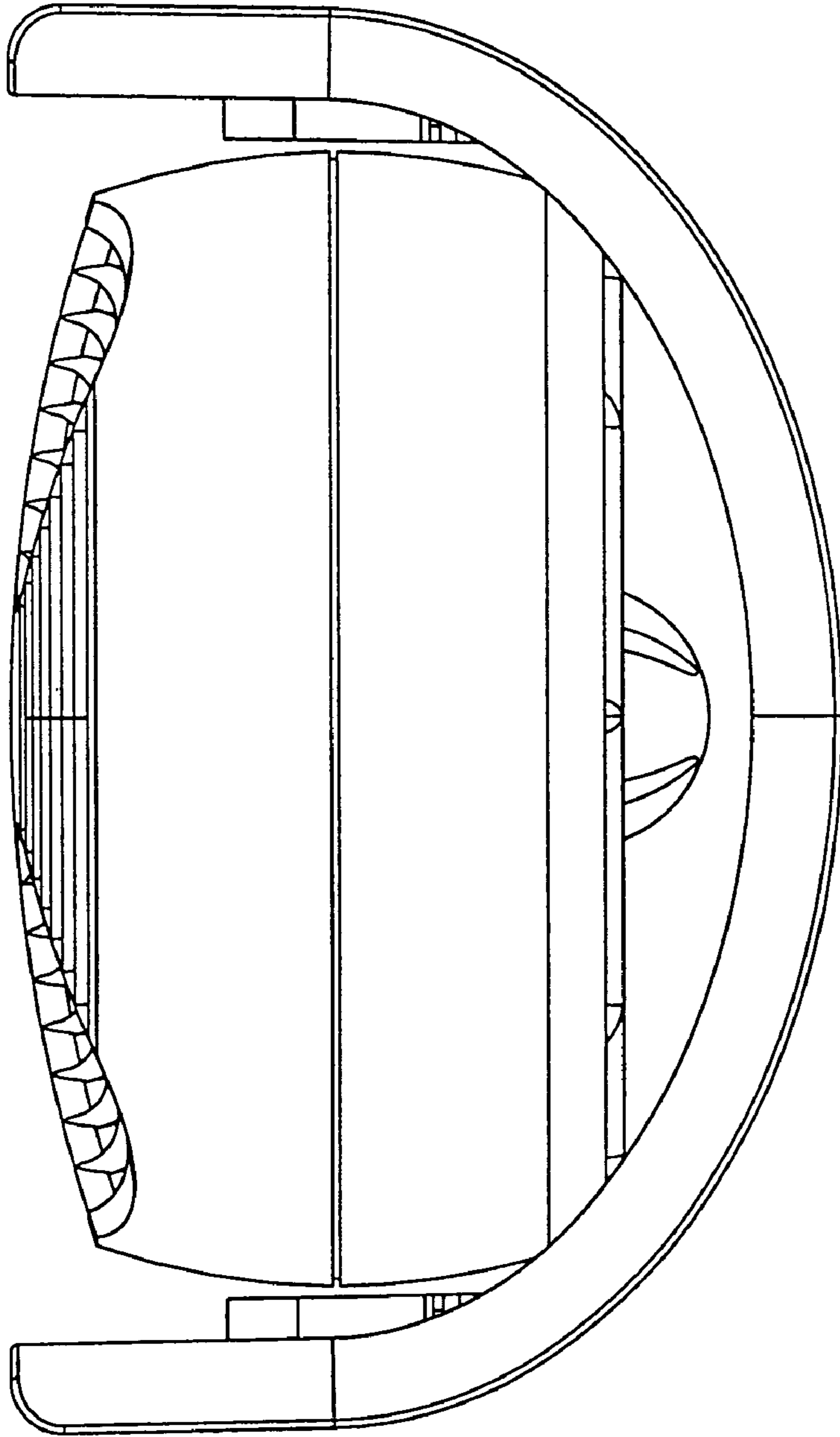


FIGURE 6