



US00D422072S

United States Patent [19] Blateri

[11] **Patent Number: Des. 422,072**

[45] **Date of Patent: ** Mar. 28, 2000**

[54] **COMBINED CEILING FAN AND LIGHT
FIXTURE**

D. 363,540 10/1995 Yen D23/411
D. 385,026 10/1997 Liu D23/377

[75] Inventor: **Frank Blateri**, Coppell, Tex.

Primary Examiner—Lisa Lichtenstein
Attorney, Agent, or Firm—Haynes & Boone, L.L.P.

[73] Assignee: **Aloha Housewares Co., Ltd.**, Taiwan,
Taiwan

[57] **CLAIM**

[**] Term: **14 Years**

The ornamental design for a combined ceiling fan and light fixture, as shown and described.

[21] Appl. No.: **29/104,224**

DESCRIPTION

[22] Filed: **Apr. 30, 1999**

[51] **LOC (6) Cl.** **23-04**

FIG. 1 is a bottom perspective view of a combined ceiling fan and light fixture showing my new design;

[52] **U.S. Cl.** **D23/377; D23/379; D23/385**

FIG. 2 is an enlarged bottom plan view thereof;

[58] **Field of Search** D23/411, 377,
D23/379, 385, 413; D26/59, 72, 51, 81-86;
416/5; 362/96; 392/364

FIG. 3 is an enlarged front elevational view thereof; and,

FIG. 4 is an enlarged top plan view thereof.

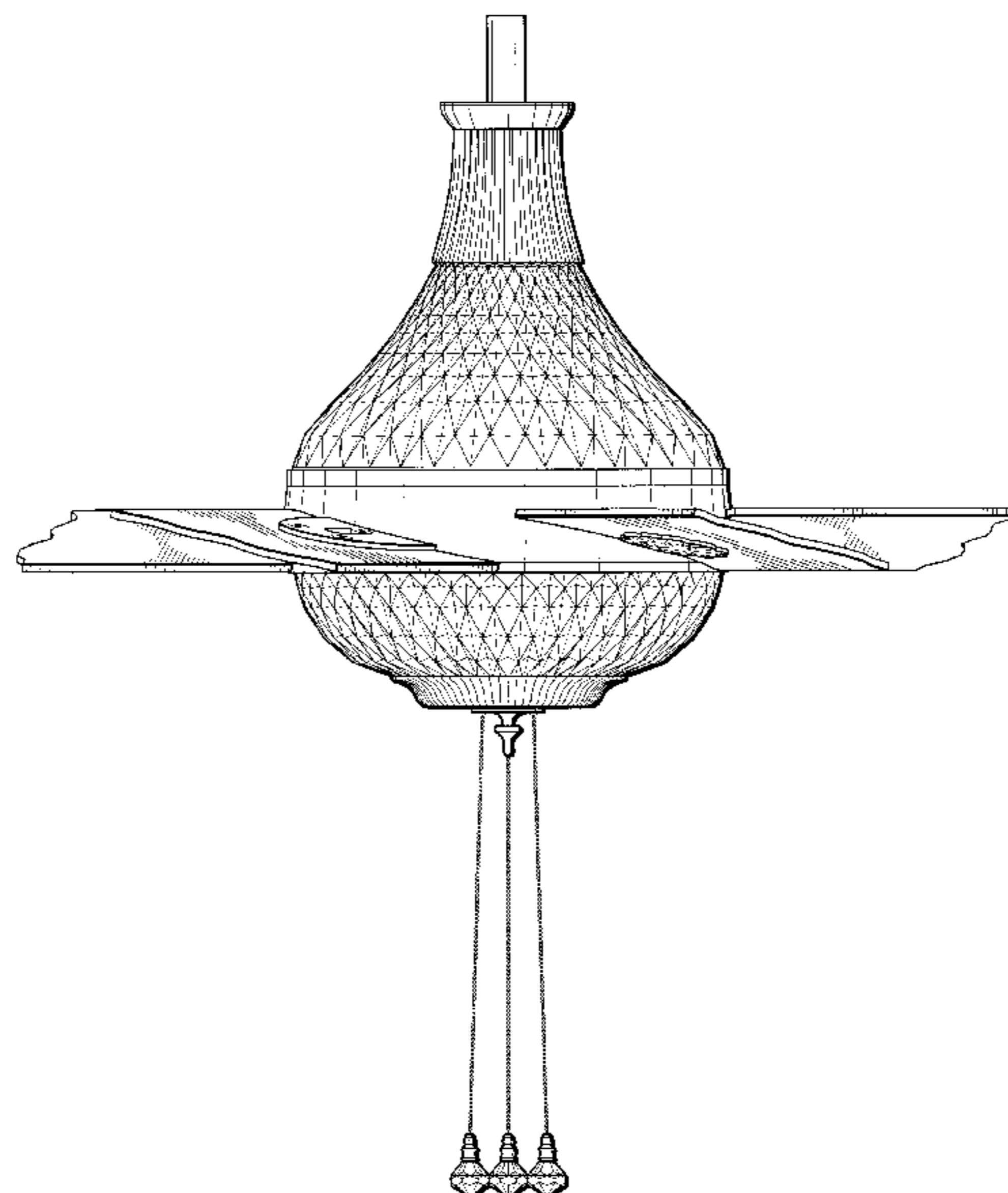
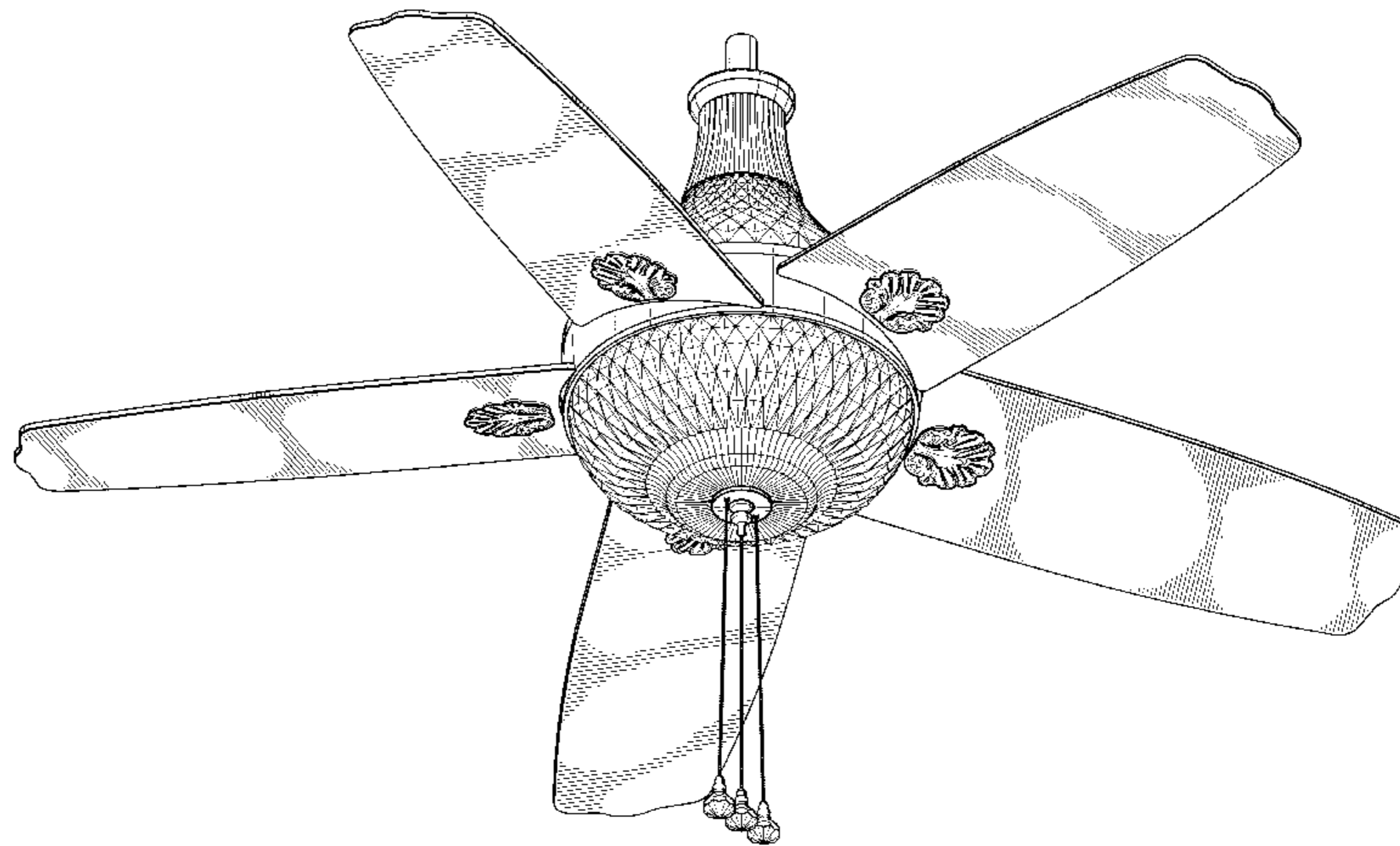
The fan blades have been shown broken-away in FIGS. 2-4 for ease of illustration.

[56] **References Cited**

U.S. PATENT DOCUMENTS

D. 347,887 6/1994 Liu D23/377

1 Claim, 4 Drawing Sheets



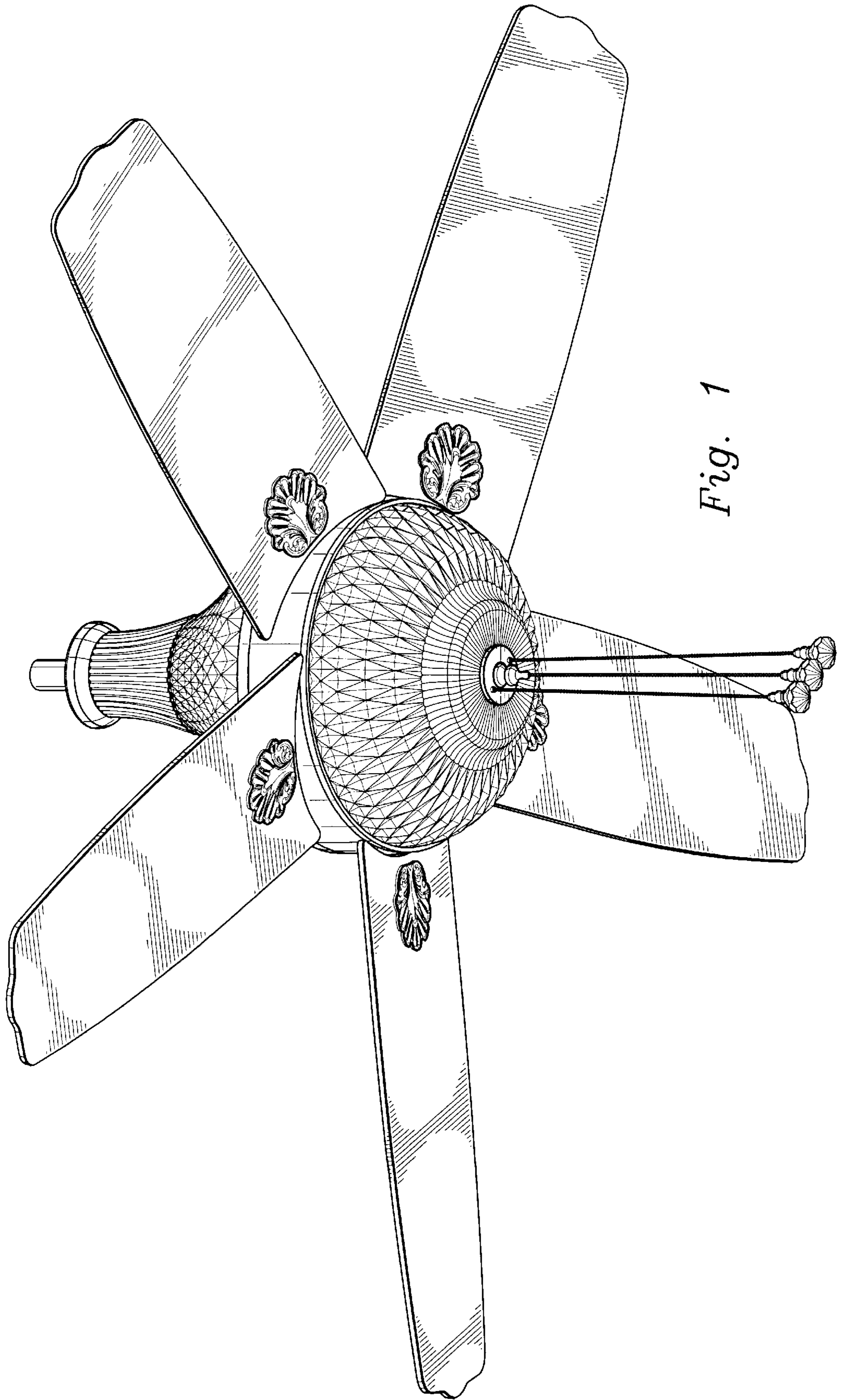


Fig. 1

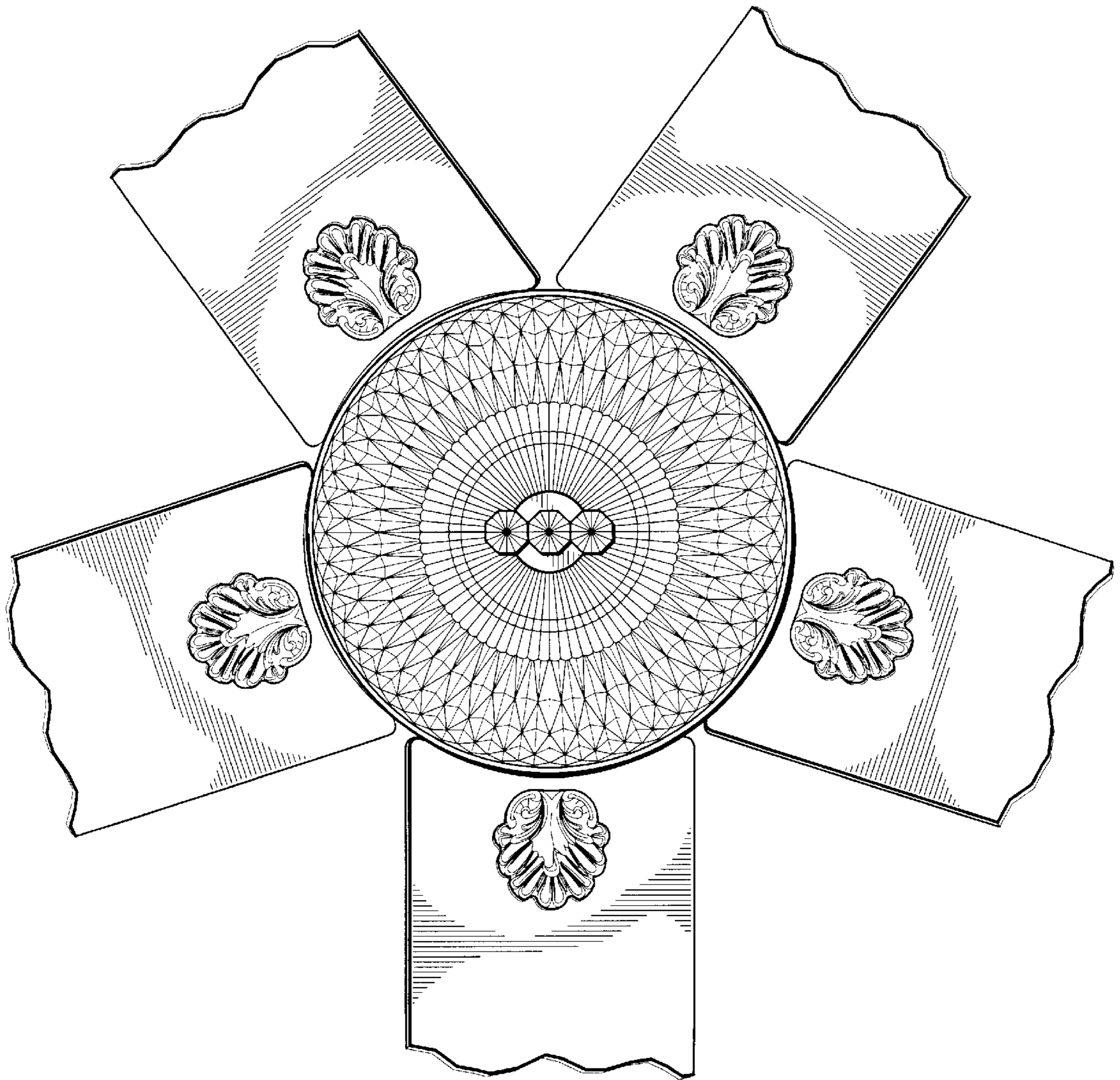


Fig. 2

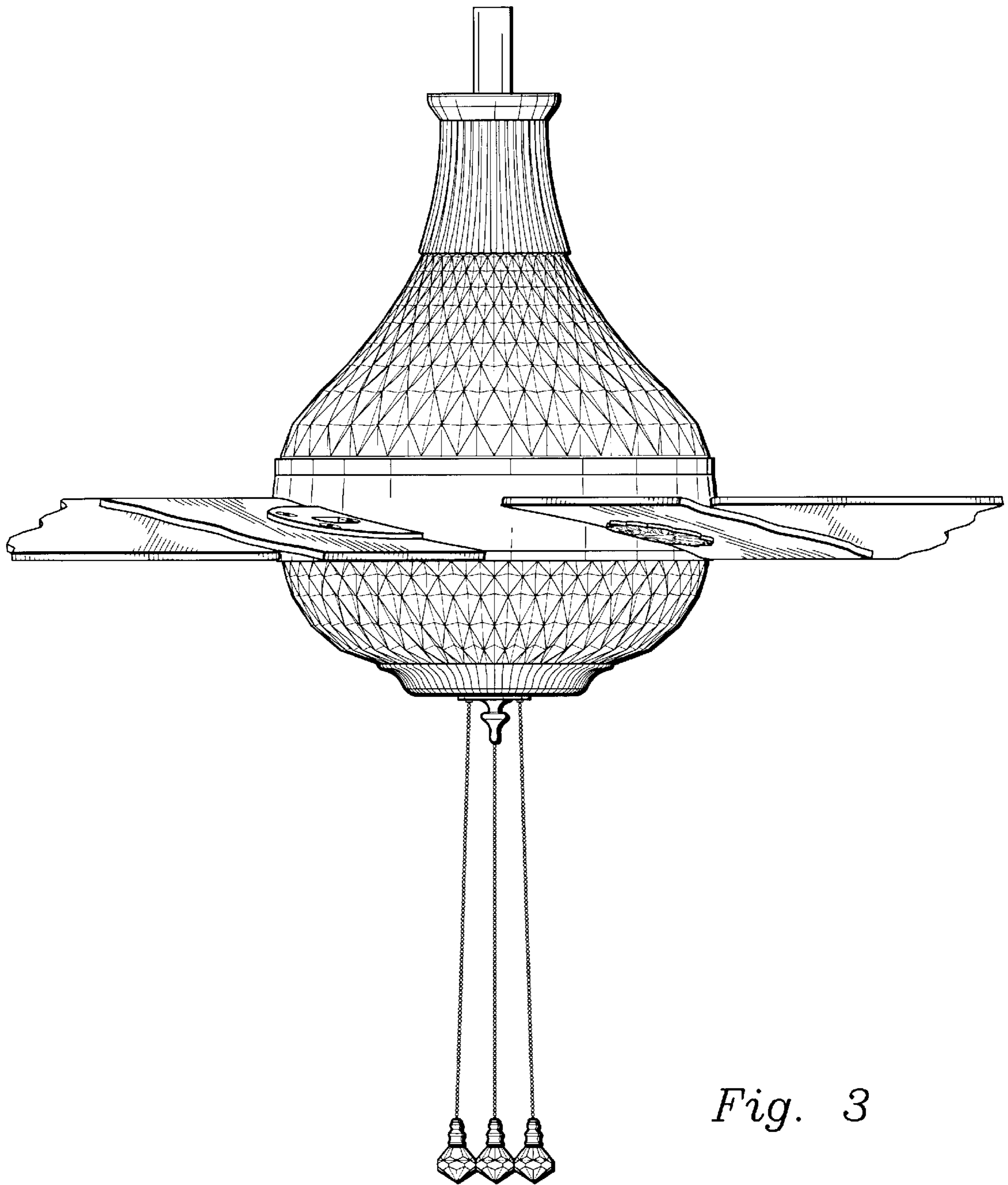


Fig. 3

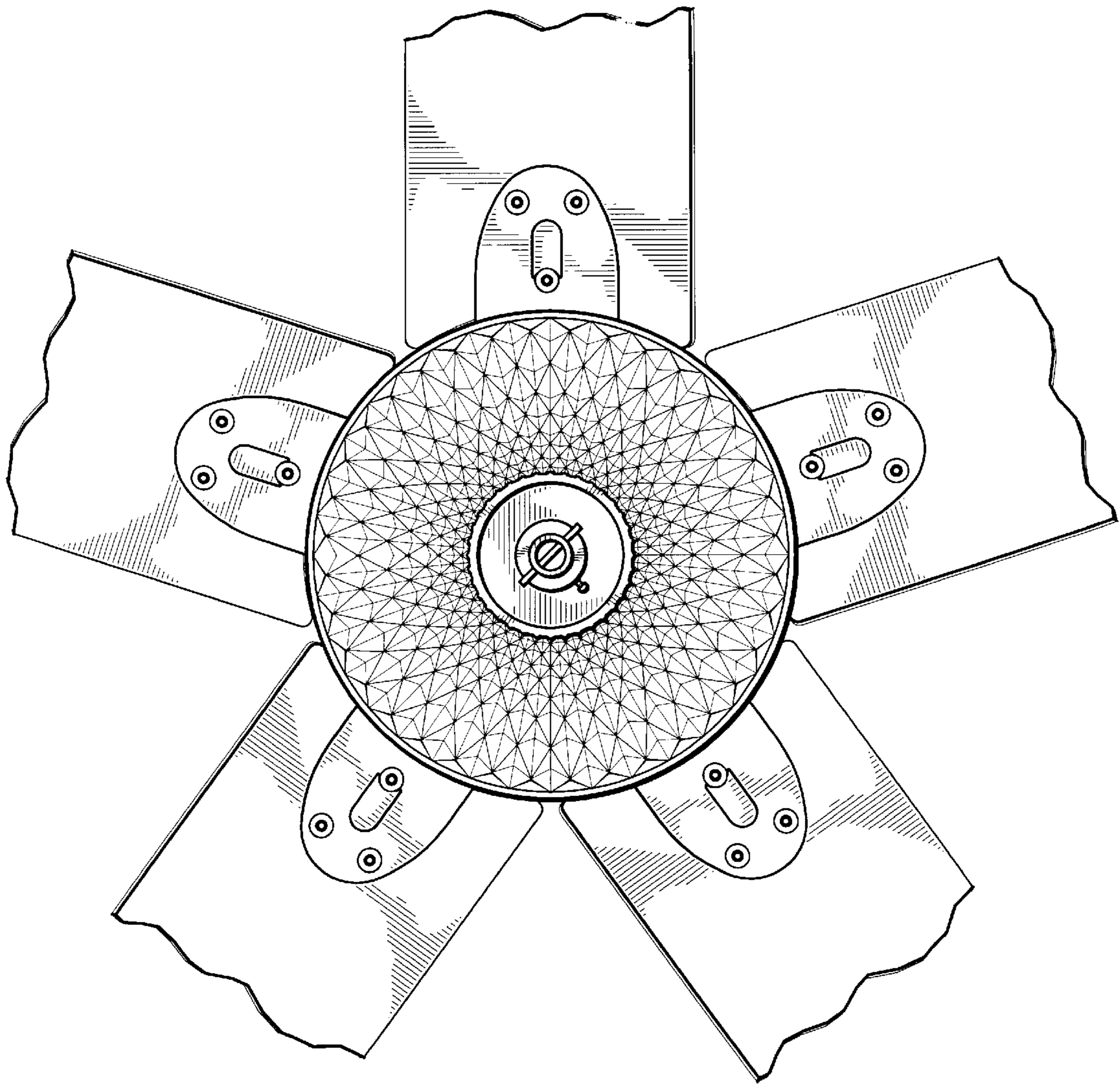


Fig. 4