



US00D422071S

United States Patent [19]

Miller et al.

[11] Patent Number: **Des. 422,071**

[45] Date of Patent: **** Mar. 28, 2000**

[54] INSIDE SURFACE OF A FILTER ELEMENT HAVING SPACER CONSTRUCTION

[75] Inventors: **Thomas G. Miller**, Eagan, Minn.;
Dolan D. Bartels, Delphi, Ind.;
Andrew L. Albitz, Mulberry, Ind.;
Bruce R. Crenshaw, Frankfort, Ind.

[73] Assignee: **Donaldson Company, Inc.**,
Minneapolis, Minn.

[**] Term: **14 Years**

[21] Appl. No.: **29/085,279**

[22] Filed: **Mar. 19, 1998**

[51] **LOC (6) Cl.** **23-04**

[52] **U.S. Cl.** **D23/365**

[58] **Field of Search** **D23/365; 55/510**

[56] References Cited

U.S. PATENT DOCUMENTS

4,135,899 1/1979 Gauer .

OTHER PUBLICATIONS

Declaration of Thomas G. Miller (with attached Exhibits A and B).

Primary Examiner—Lisa Lichtenstein

Attorney, Agent, or Firm—Merchant & Gould P.C.

[57] CLAIM

The ornamental design for inside surface of a filter element having spacer construction, as shown and described.

DESCRIPTION

FIG. 1 is a perspective view of the inside surface of a filter element having spacer construction showing our new design. This particular perspective view is normally not seen through the side walls of the filter element, but is illustrated for purposes of clarity.

FIG. 2 is a top plan view thereof; and,

FIG. 3 is a side elevational view thereof, all the sides being identical. This particular side elevational view is normally not seen through the side walls of the filter element, but is illustrated for purposes of clarity.

The broken lines which define the bounds of the claimed design form no part thereof. The broken line environmental showing is for illustrative purposes only and forms no part of the claimed design.

1 Claim, 3 Drawing Sheets

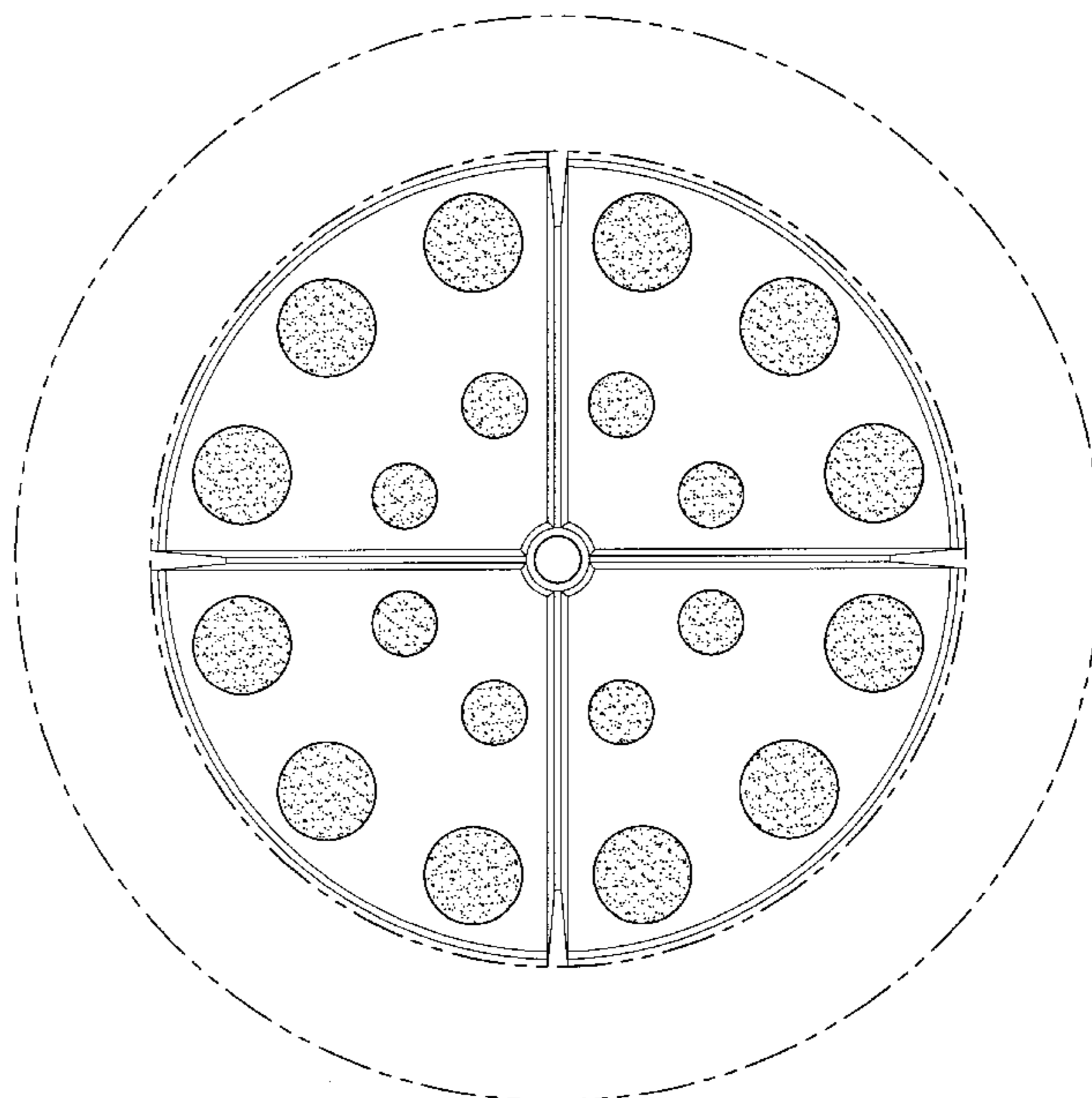
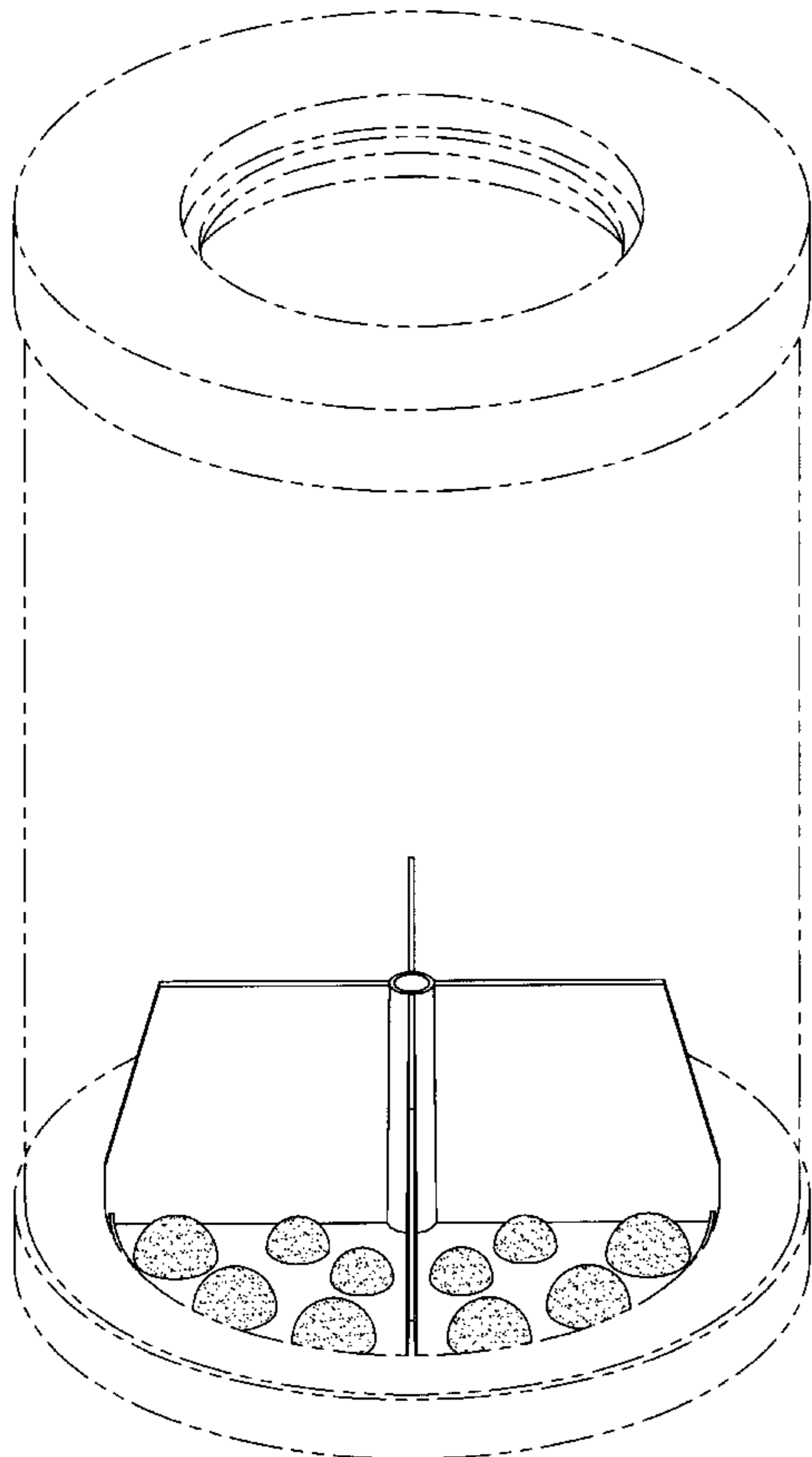


FIG. 1

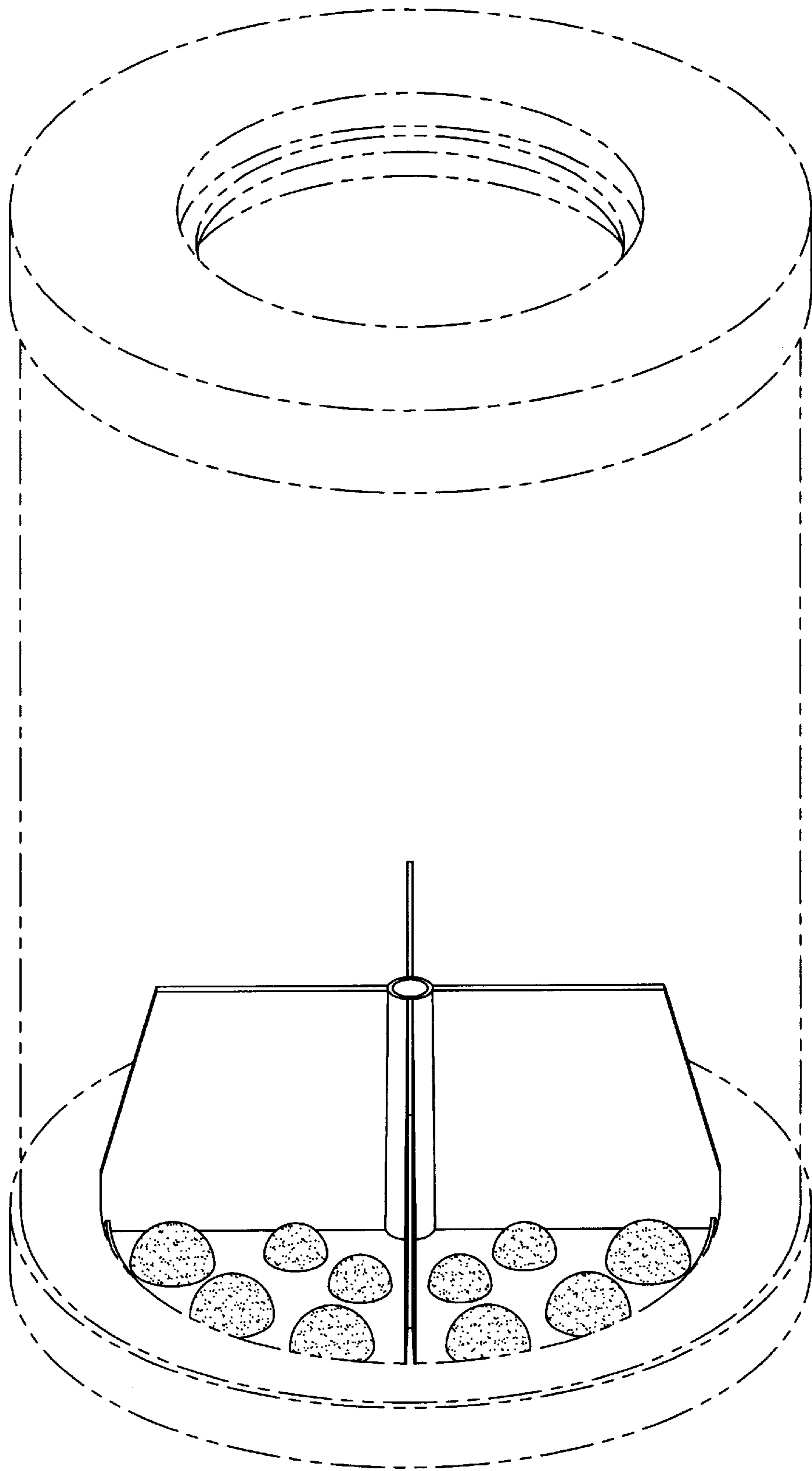


FIG. 2

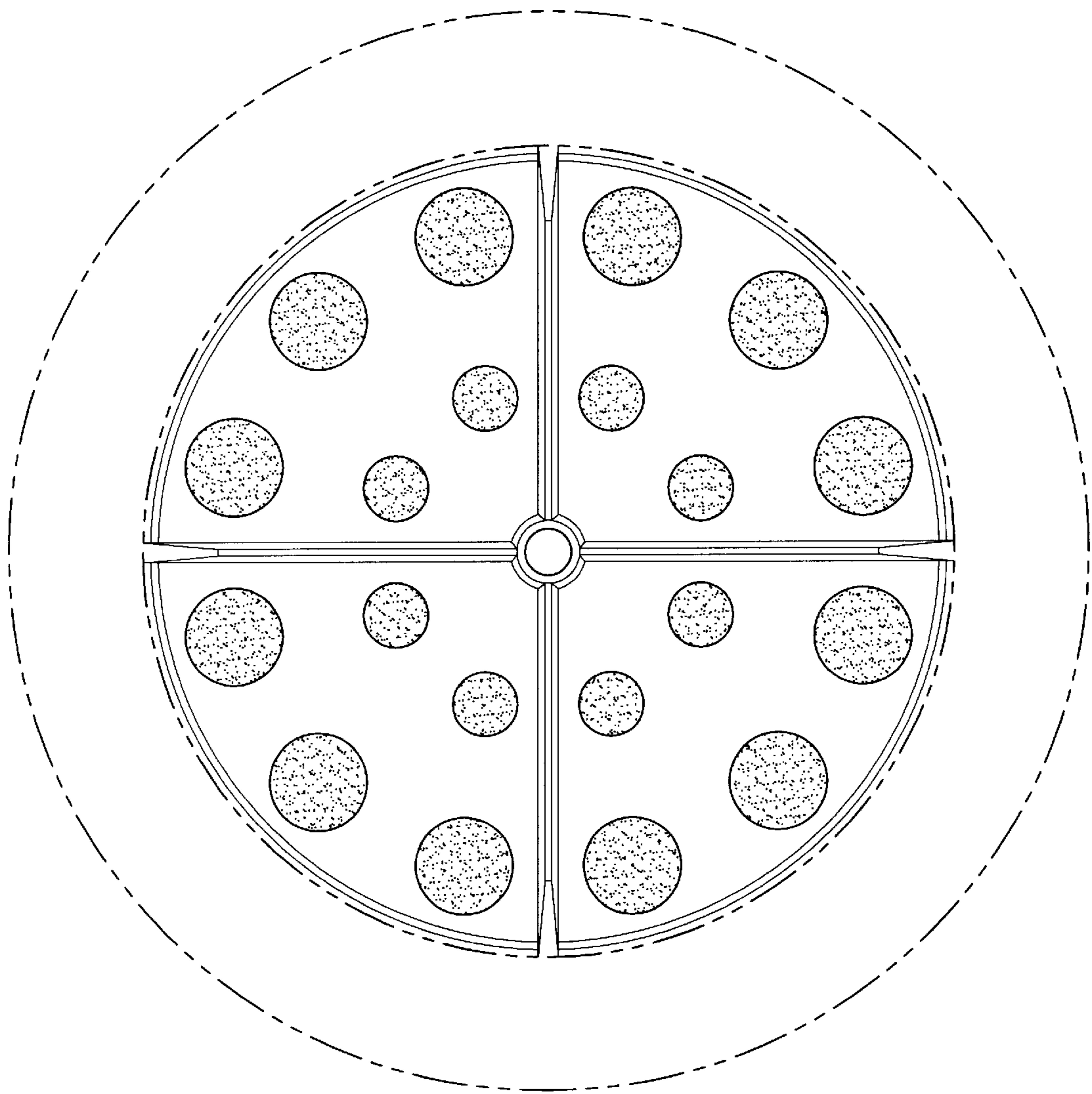


FIG. 3

