



US00D422070S

United States Patent [19]
Bellil et al.

[11] **Patent Number: Des. 422,070**
[45] **Date of Patent: ** Mar. 28, 2000**

[54] **AIR CLEANER**

[75] Inventors: **Kimberly Bellil**, Holden, Mass.;
Stephen M. Gatchell, Warwick, R.I.;
Zhiwei Xu, Marlborough, Mass.; **Scott W. Osiecki**, Skaneateles, N.Y.; **Ronald J. Kingston**, Camillus, N.Y.; **Timothy R. Fitch**, Syracuse, N.Y.

[73] Assignee: **Honeywell Inc.**, Minneapolis, Minn.

[**] Term: **14 Years**

[21] Appl. No.: **29/104,568**

[22] Filed: **May 7, 1999**

Related U.S. Application Data

[62] Division of application No. 29/080,555, Dec. 3, 1997.
[51] **LOC (6) Cl.** **23-04**
[52] **U.S. Cl.** **D23/364**
[58] **Field of Search** D23/364, 355,
D23/365; 96/97

[56] **References Cited**

U.S. PATENT DOCUMENTS

D. 355,962 2/1995 Chiu et al. D23/364

D. 365,389 12/1995 Williams D23/364
D. 375,546 11/1996 Lee D23/364
D. 377,523 1/1997 Marvin et al. D23/364
5,578,113 11/1996 Glenn 96/97

Primary Examiner—Lisa Lichtenstein
Attorney, Agent, or Firm—Robert B. Leonard

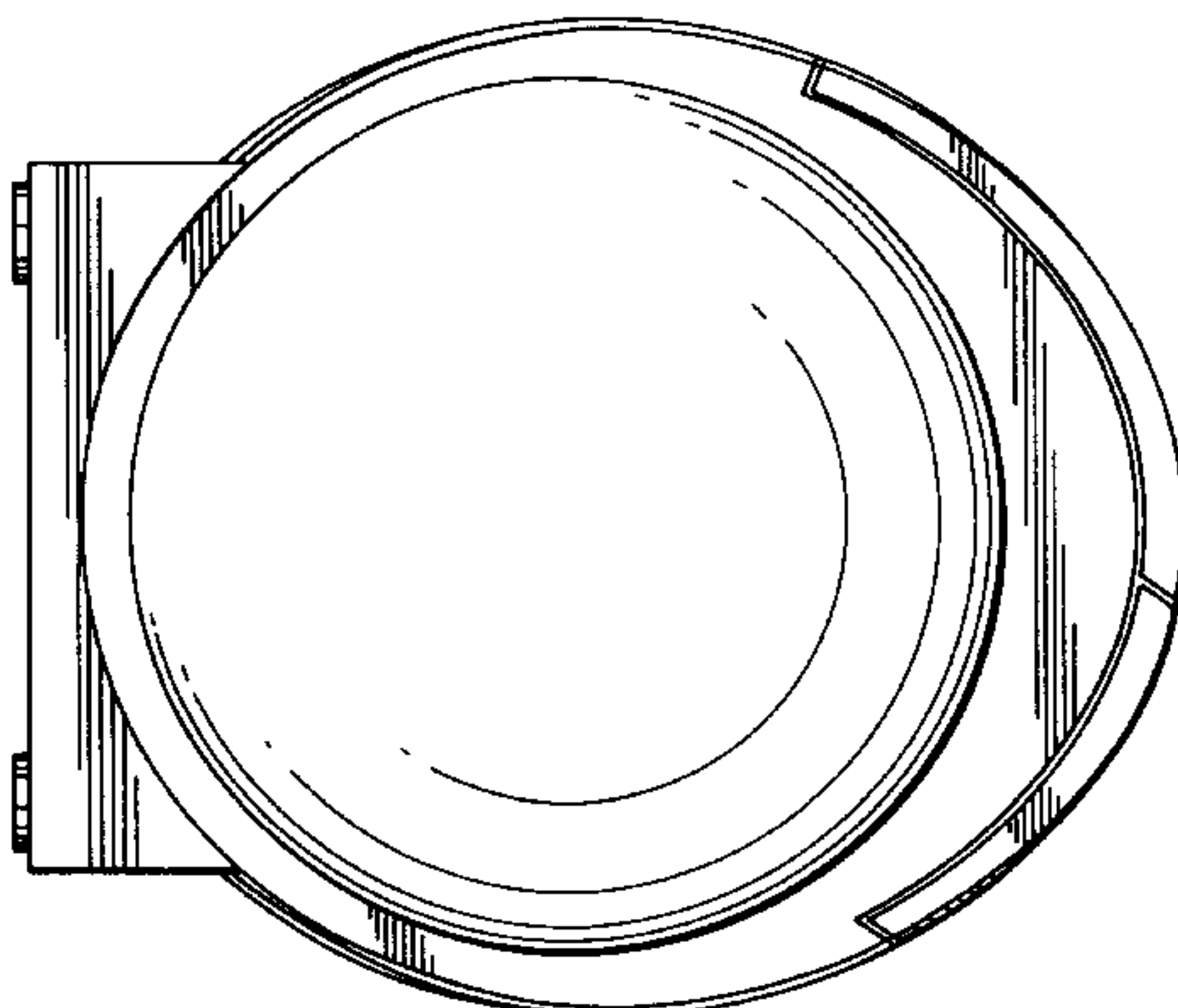
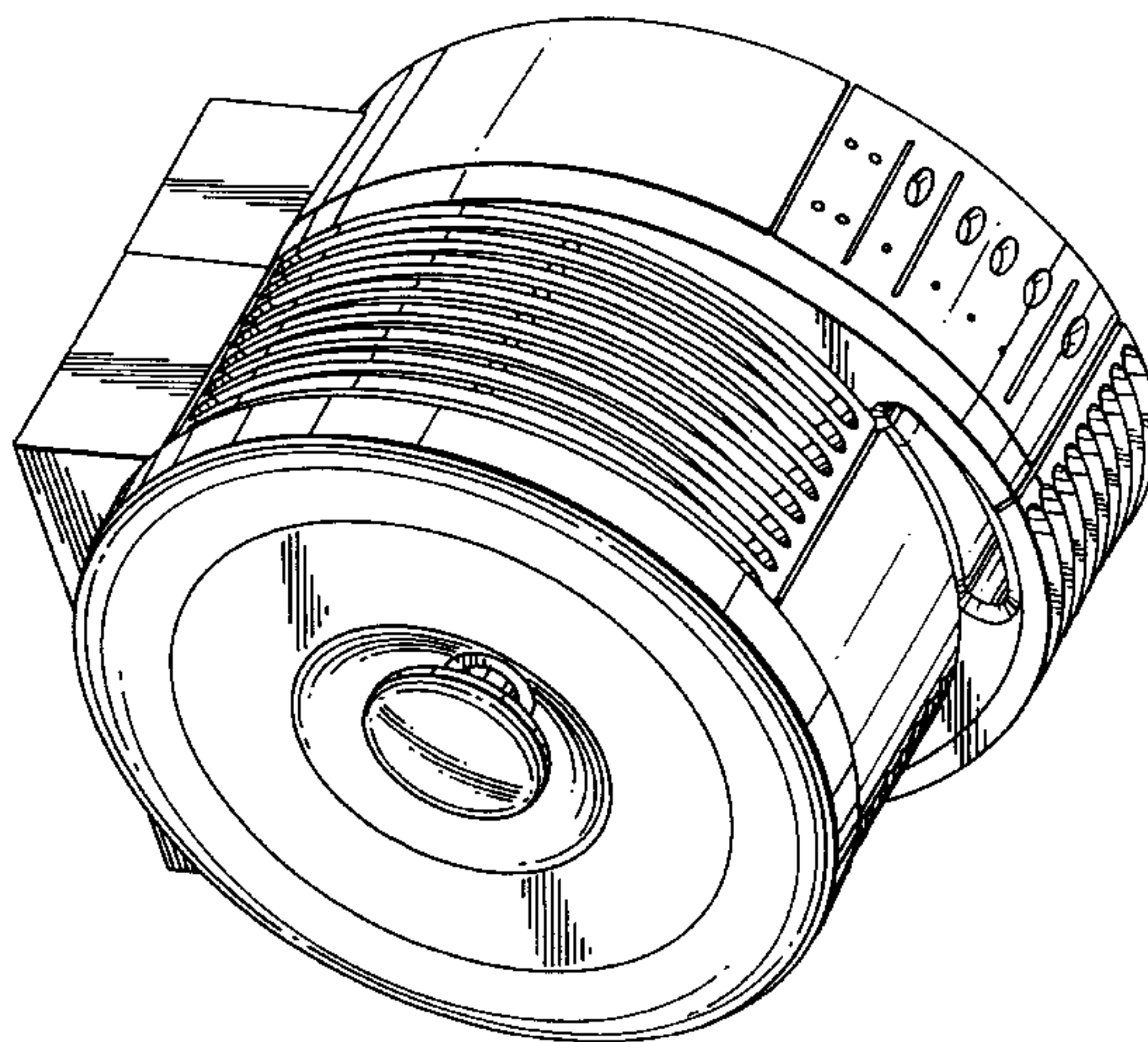
[57] **CLAIM**

The ornamental design for an air cleaner, as shown.

DESCRIPTION

FIG. 1 is a front perspective view of an air cleaner showing our design.
FIG. 2 is a front elevational view of the air cleaner shown in FIG. 1.
FIG. 3 is a rear elevational view of the air cleaner shown in FIG. 1.
FIG. 4 is a left side elevational view of the air cleaner shown in FIG. 1.
FIG. 5 is a right side elevational view of the air cleaner shown in FIG. 1.
FIG. 6 is a top plan view of the air cleaner shown in FIG. 1; and,
FIG. 7 is a bottom plan view of the air cleaner shown in FIG. 1.

1 Claim, 7 Drawing Sheets



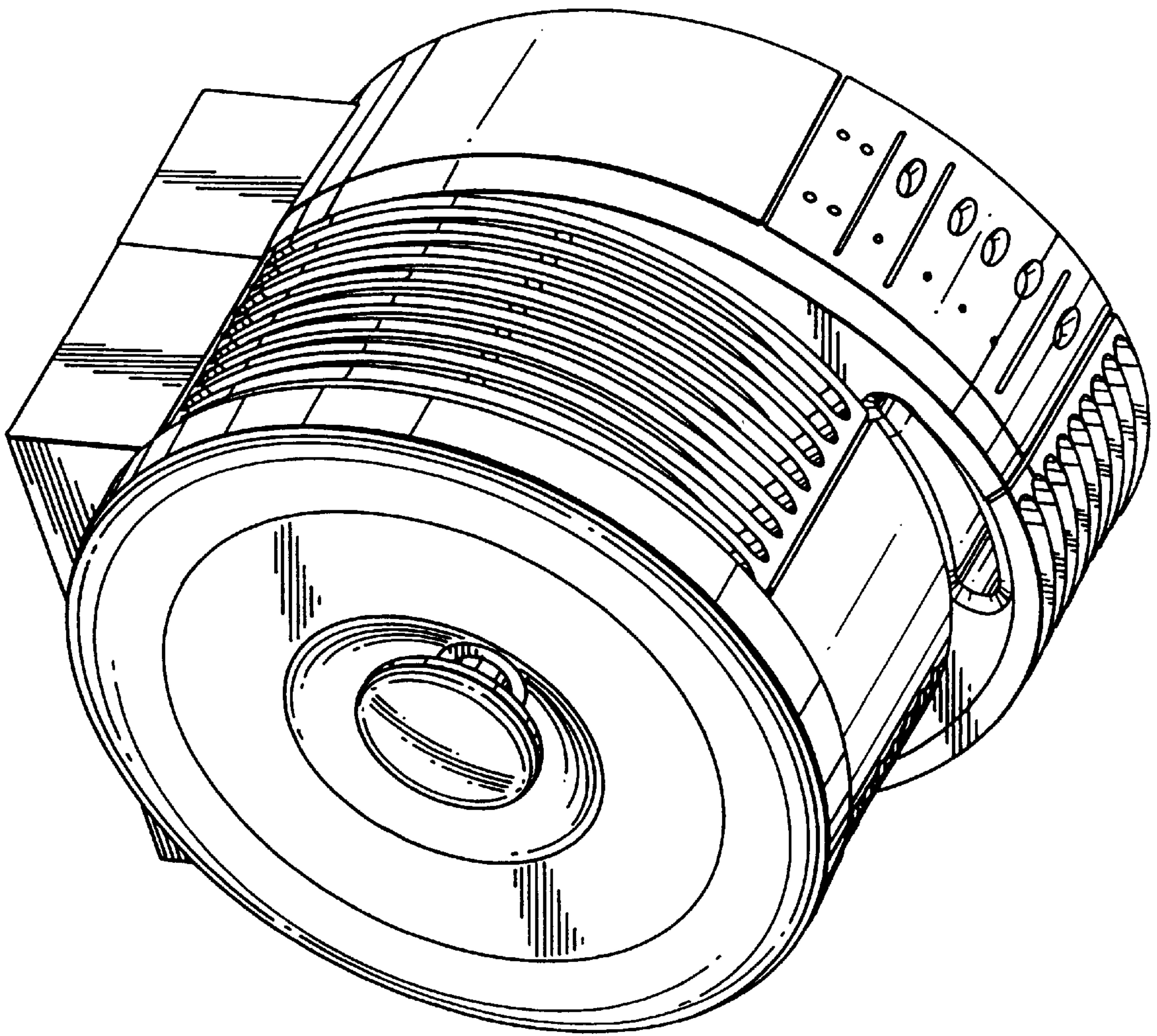


FIG. 1

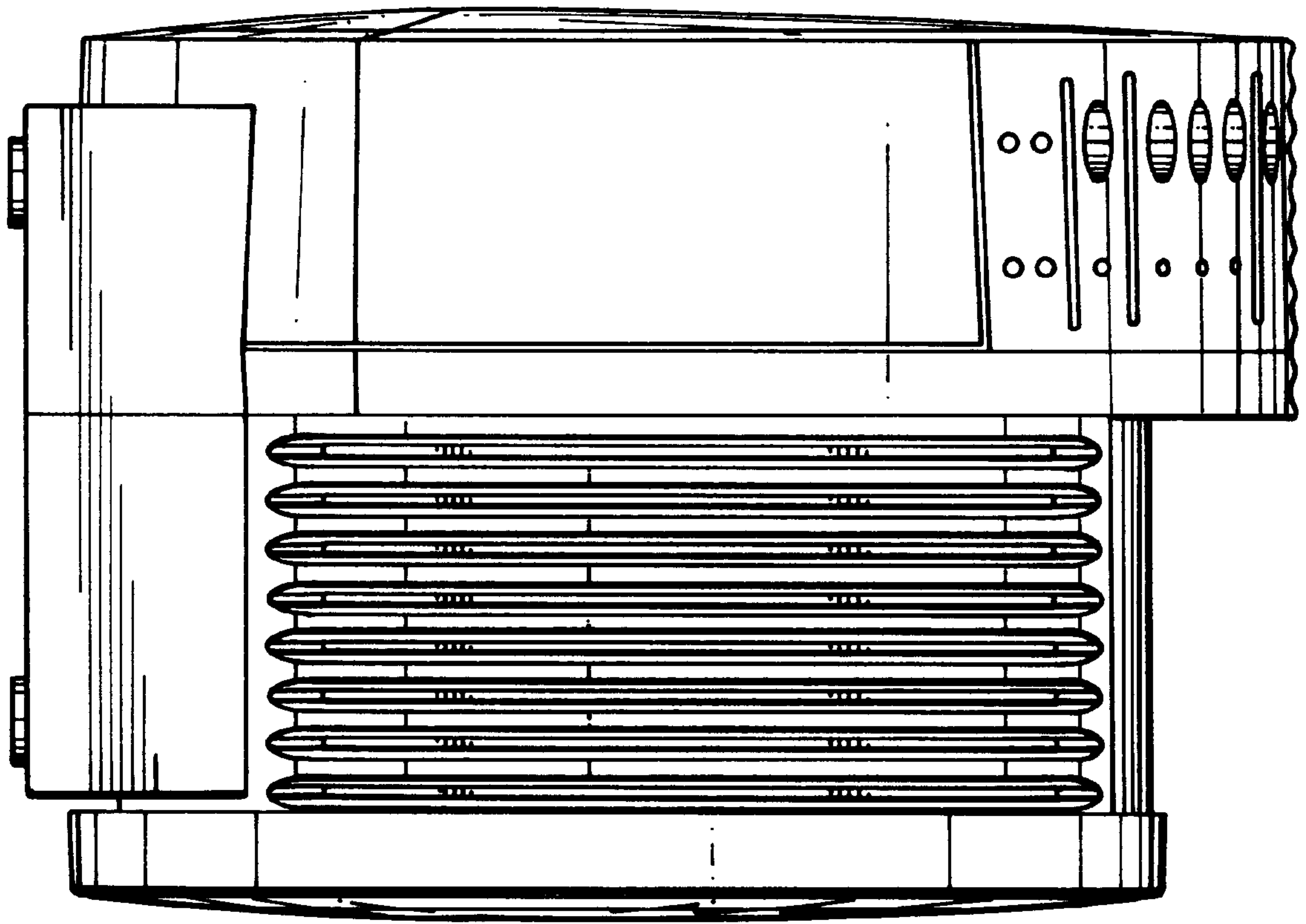


FIG. 2

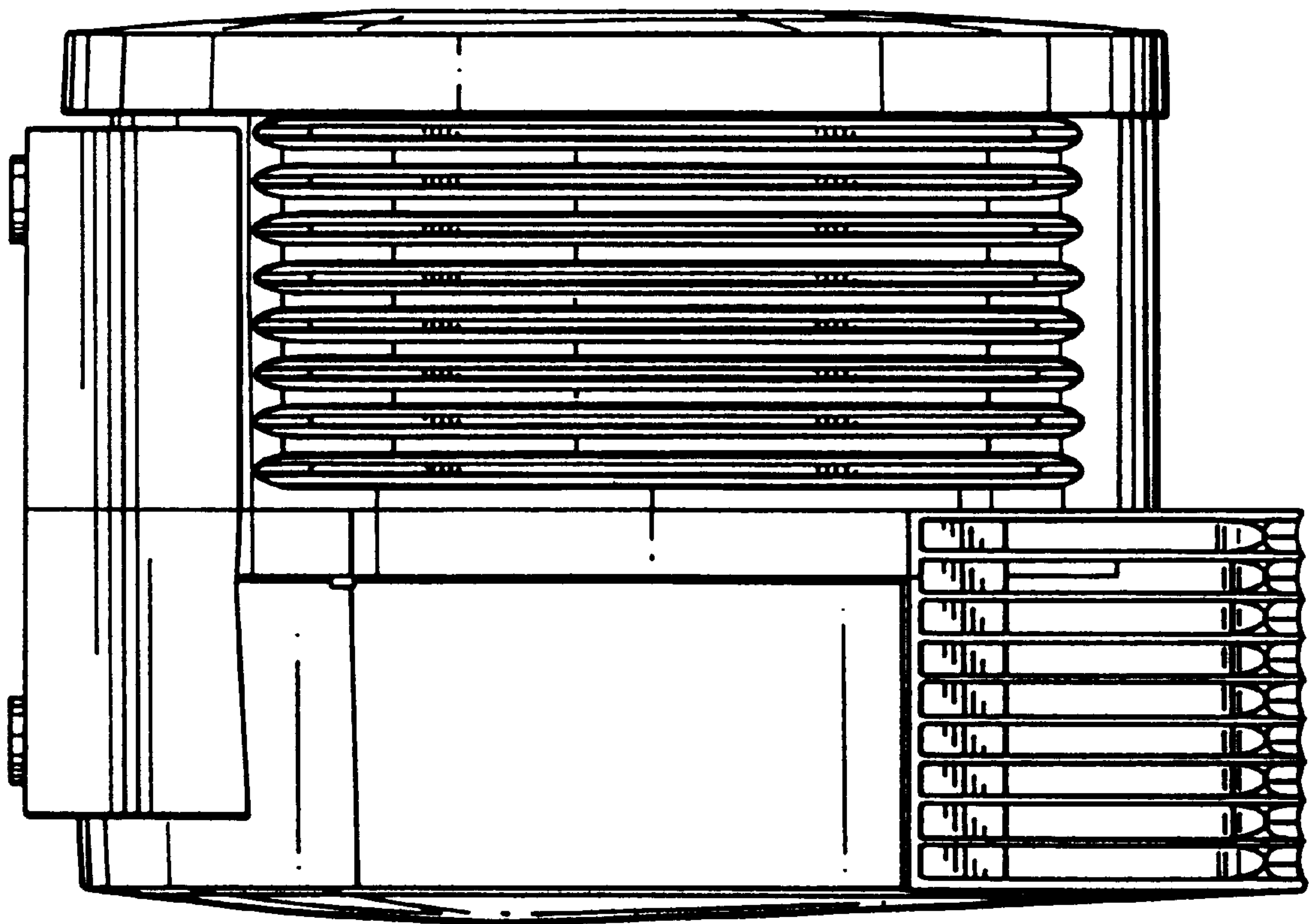


FIG. 3

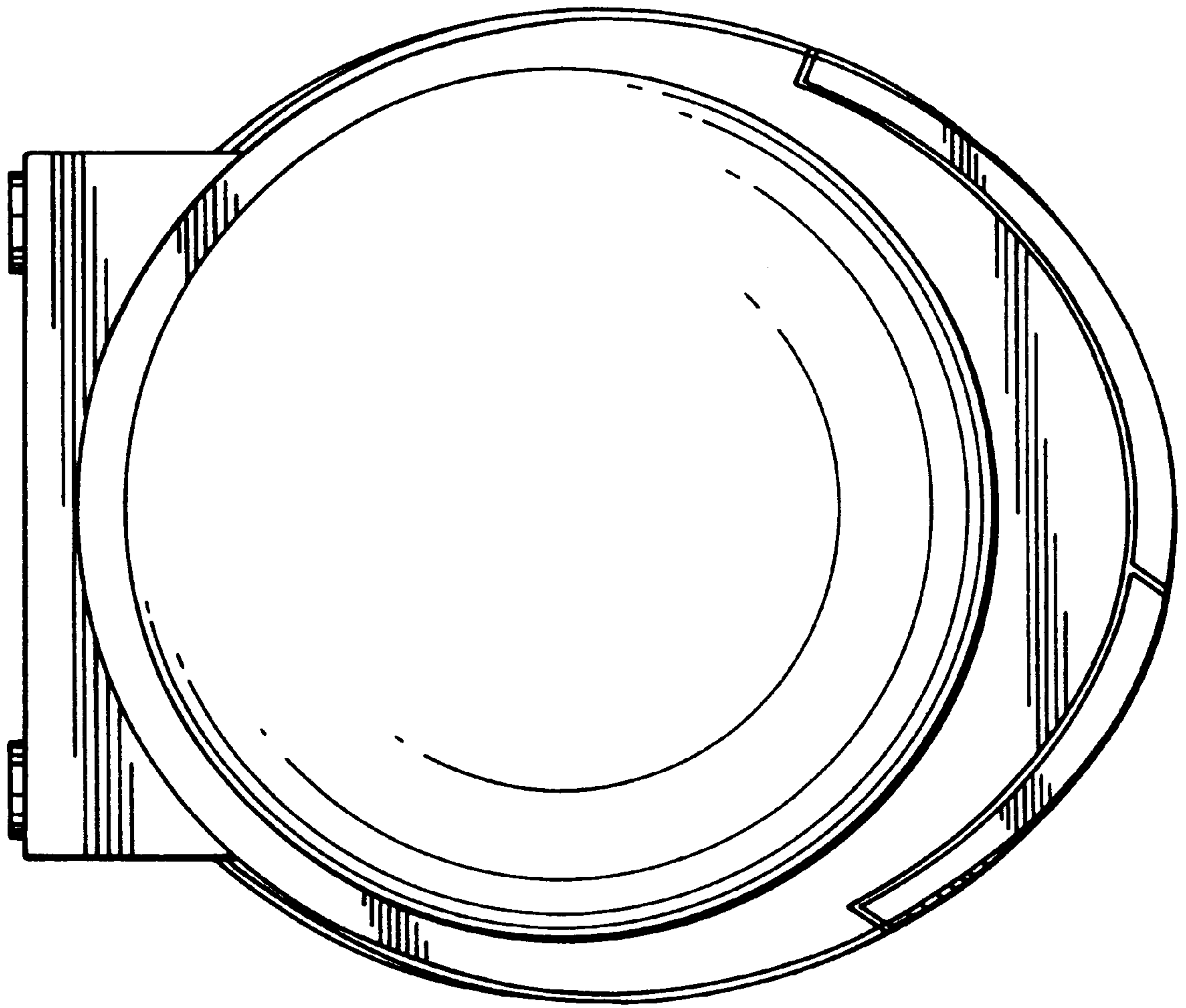


FIG. 4

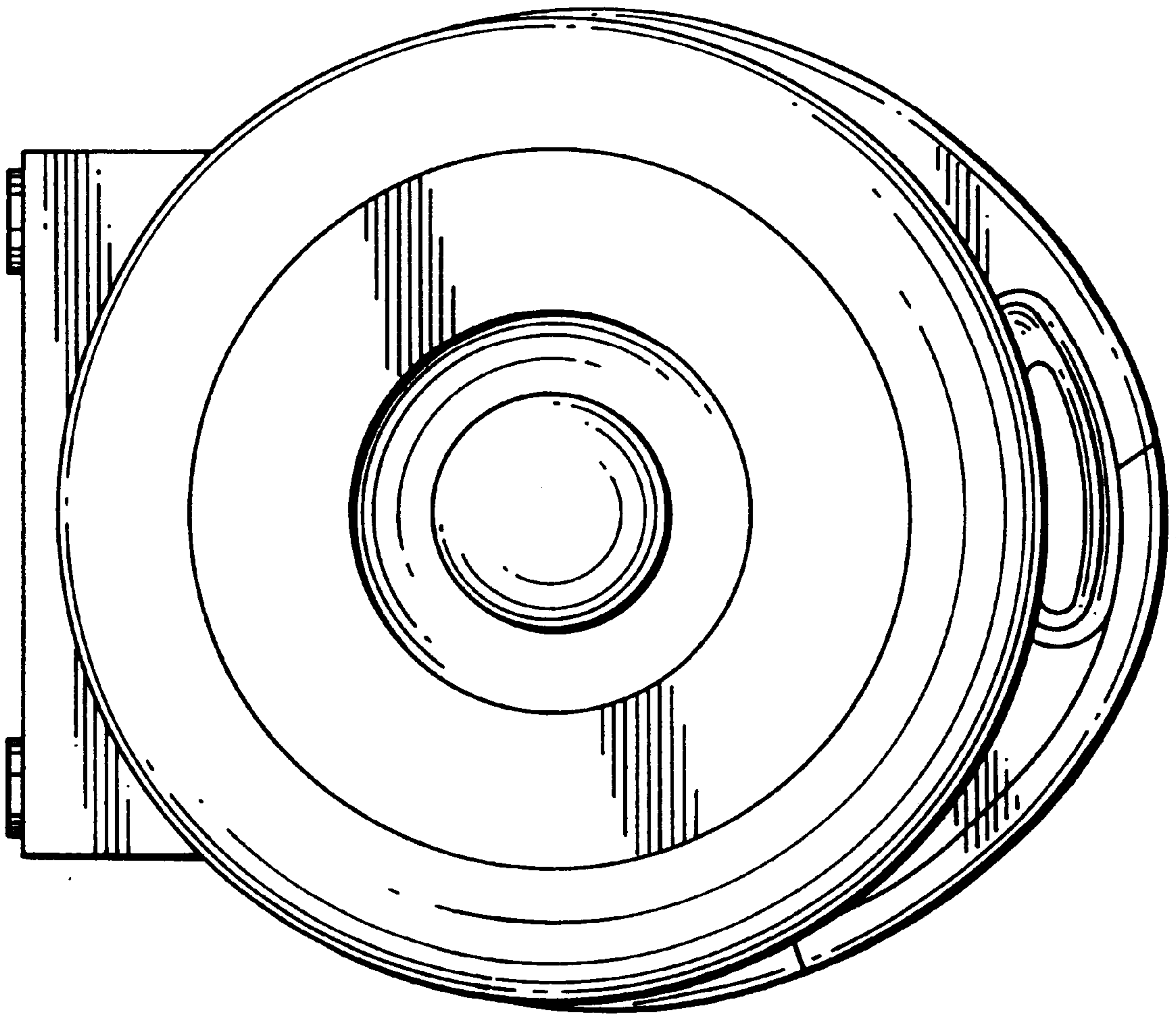


FIG. 5

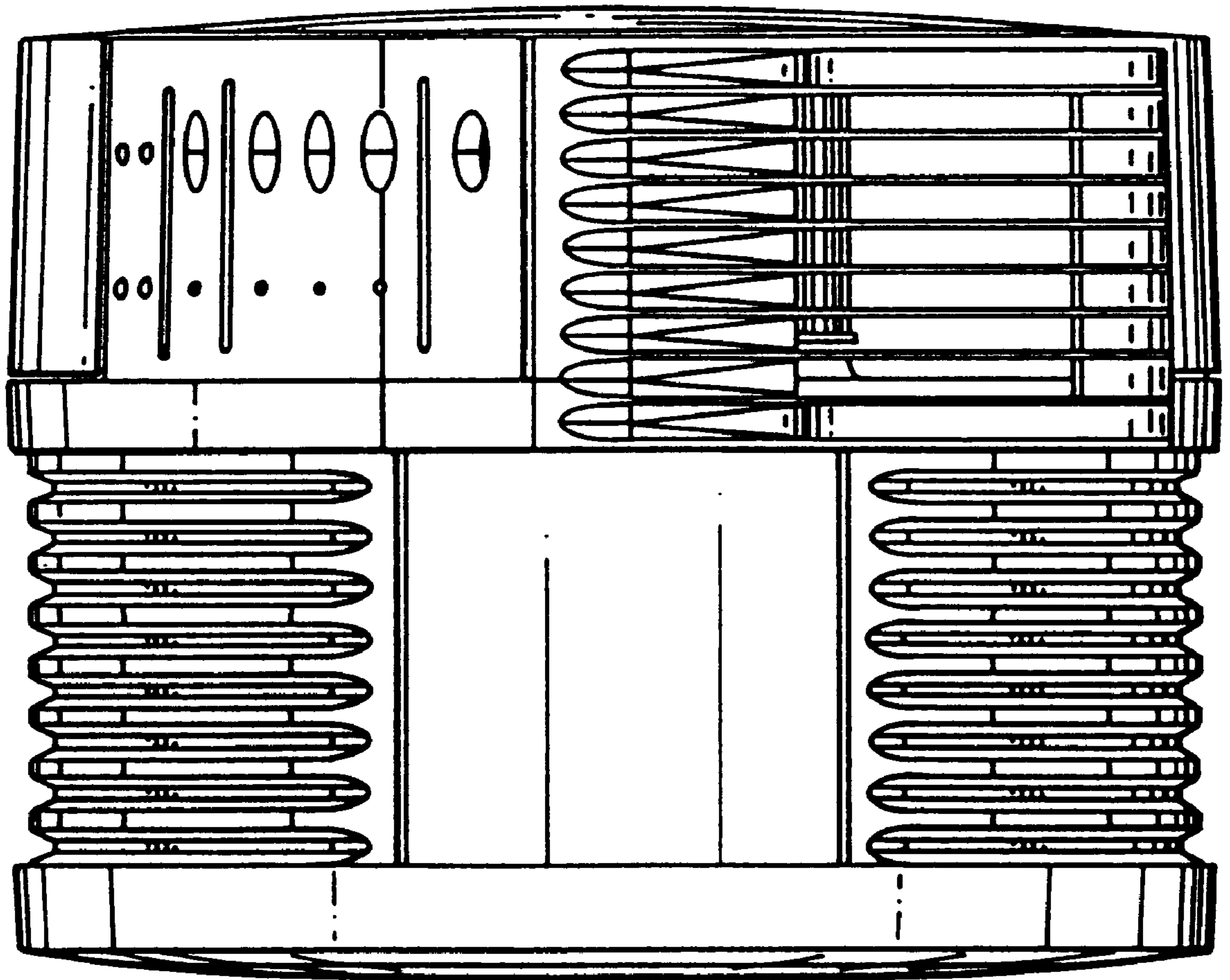


FIG. 6

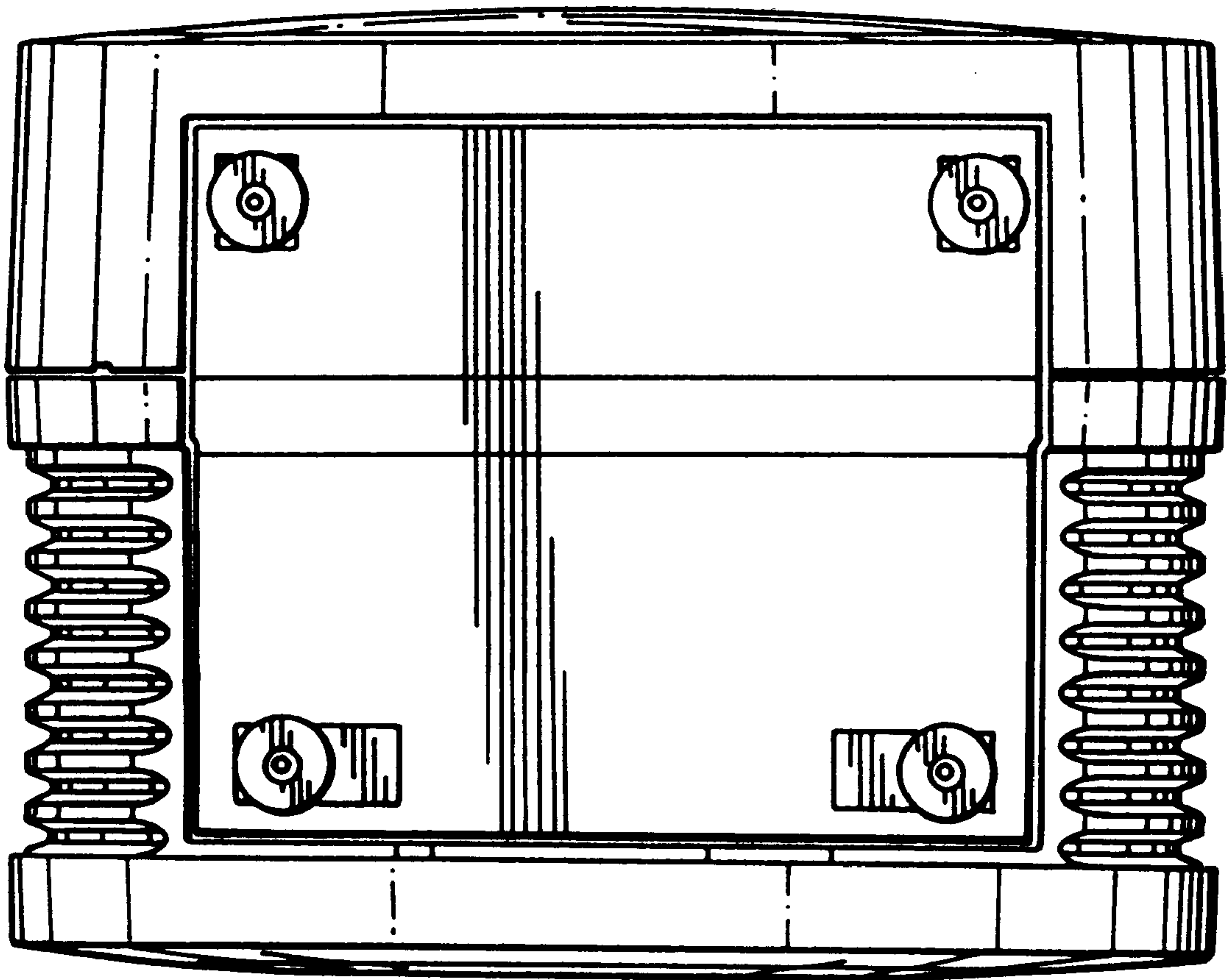


FIG. 7