



US00D422069S

# United States Patent [19] Decker

[11] Patent Number: **Des. 422,069**

[45] Date of Patent: **\*\* Mar. 28, 2000**

[54] AIR PRECLEANER

5,022,903 6/1991 Decker .

[75] Inventor: **William K. Decker**, Cambridge, Wis.

### OTHER PUBLICATIONS

[73] Assignee: **American Farm Implement & Specialty, Inc.**, Janesville, Wis.

Advertising for Best-Ex Centri Air Pre-Cleaners, by Best-Ex, Inc. before 1990.

[\*\*] Term: **14 Years**

Advertisement, Price List and Specifications for Turbo® Pre-Cleaners by Sureco, Mar. 1, 1987.

[21] Appl. No.: **29/091,054**

Exhibit 1: Photographs and photocopy of air precleaner on the market in the United States more than one year before filing date of the present application.

[22] Filed: **Jul. 22, 1998**

*Primary Examiner*—Lisa Lichtenstein

*Attorney, Agent, or Firm*—Foley & Lardner

[51] LOC (6) Cl. .... **23-04**

[52] U.S. Cl. .... **D23/364**

[58] Field of Search ..... D23/365; 55/510;  
261/91

### [57] CLAIM

What is claimed is the ornamental design for an air pre-cleaner, as shown and described.

### [56] References Cited

### DESCRIPTION

#### U.S. PATENT DOCUMENTS

2,417,130	4/1947	Russell .
3,740,932	6/1973	Bersheim .
3,973,937	8/1976	Petersen .
4,013,137	3/1977	Petersen .
4,135,897	1/1979	Gondek .
4,197,102	4/1980	Decker .
4,547,207	10/1985	Petersen .

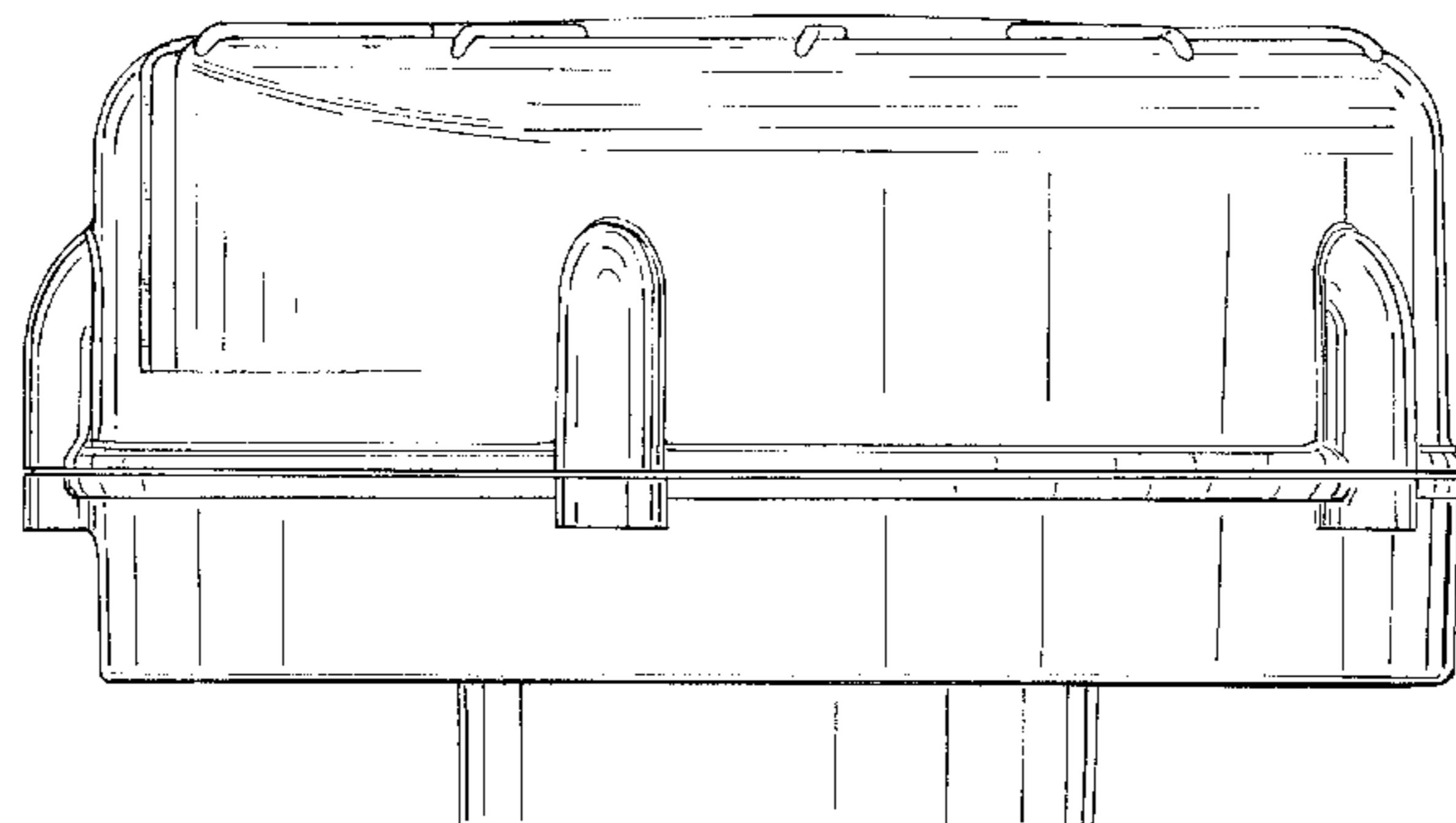
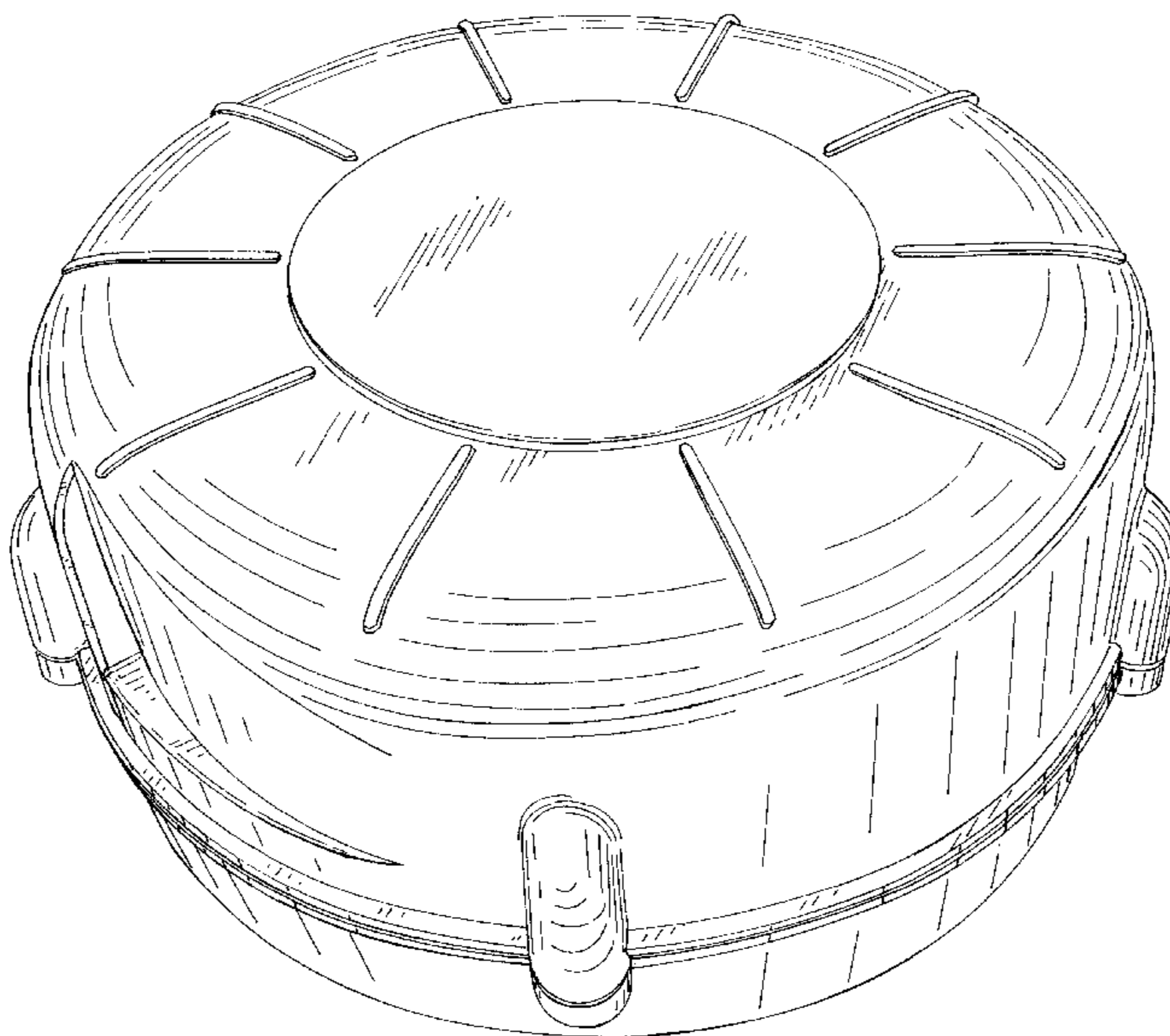
FIG. 1 is a perspective view of an air precleaner showing my new design.

FIG. 2 is a top plan view thereof.

FIG. 3 is a side view thereof; and,

FIG. 4 is a bottom view thereof.

**1 Claim, 4 Drawing Sheets**



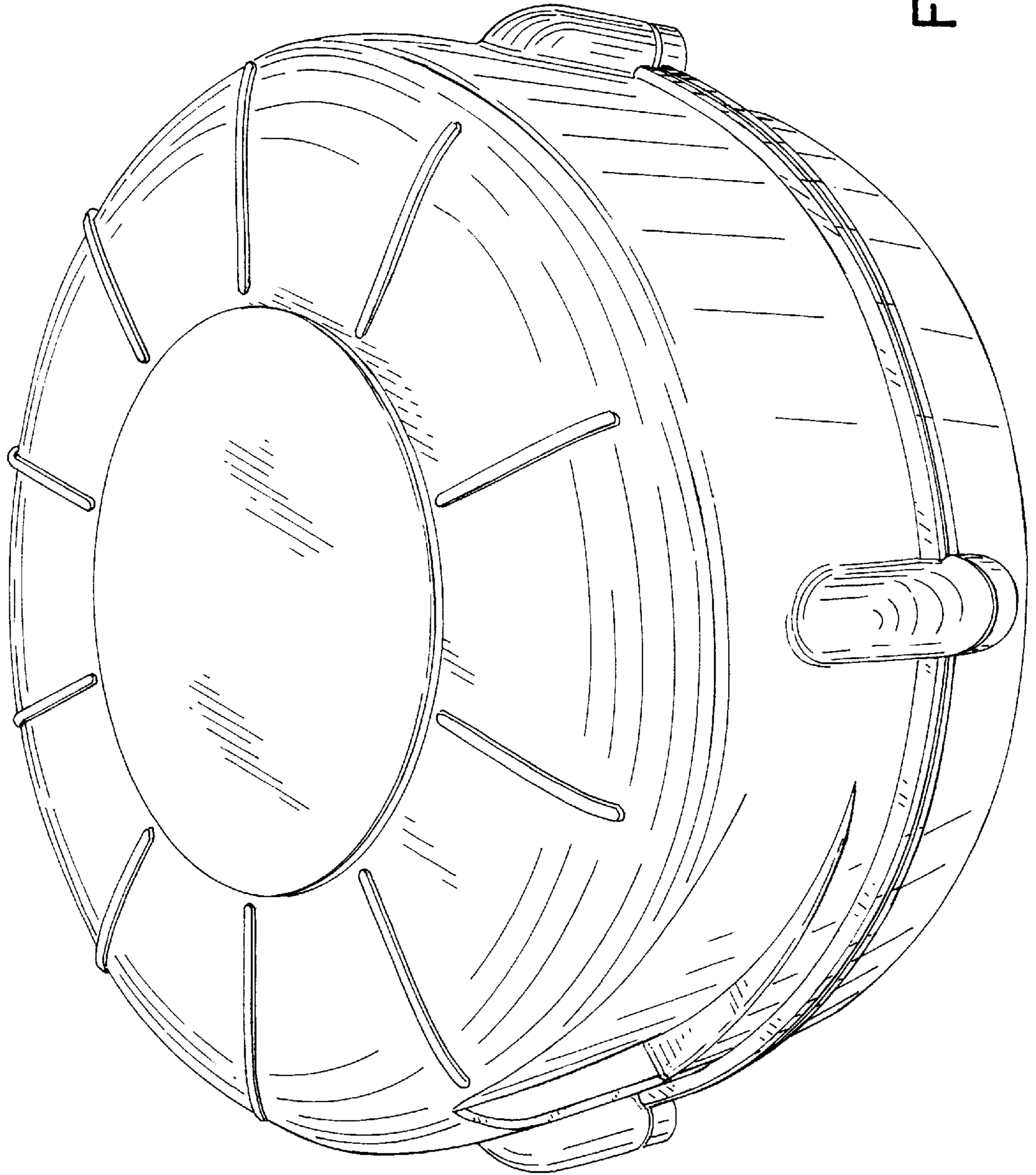


FIG. 1

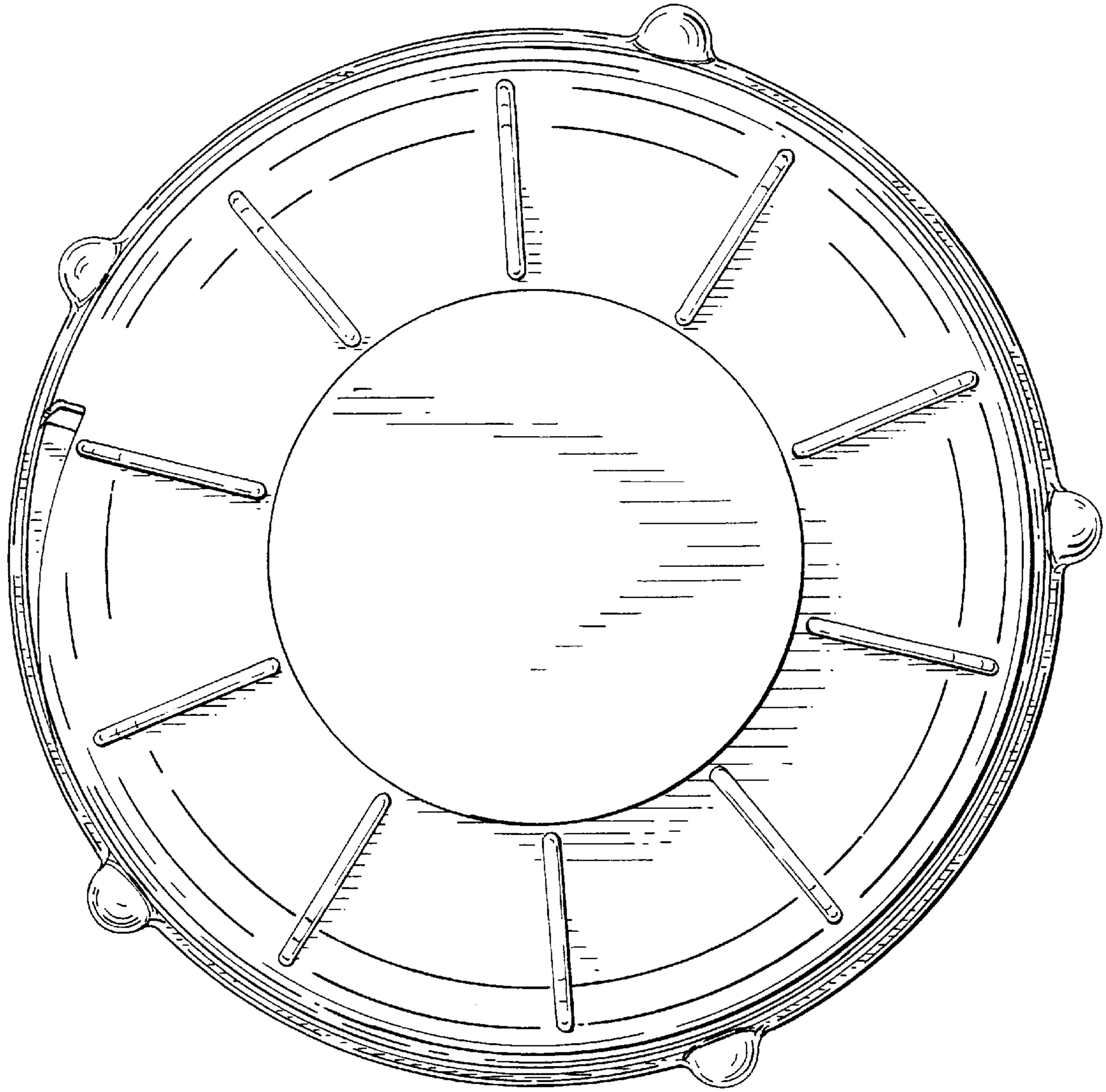


FIG. 2

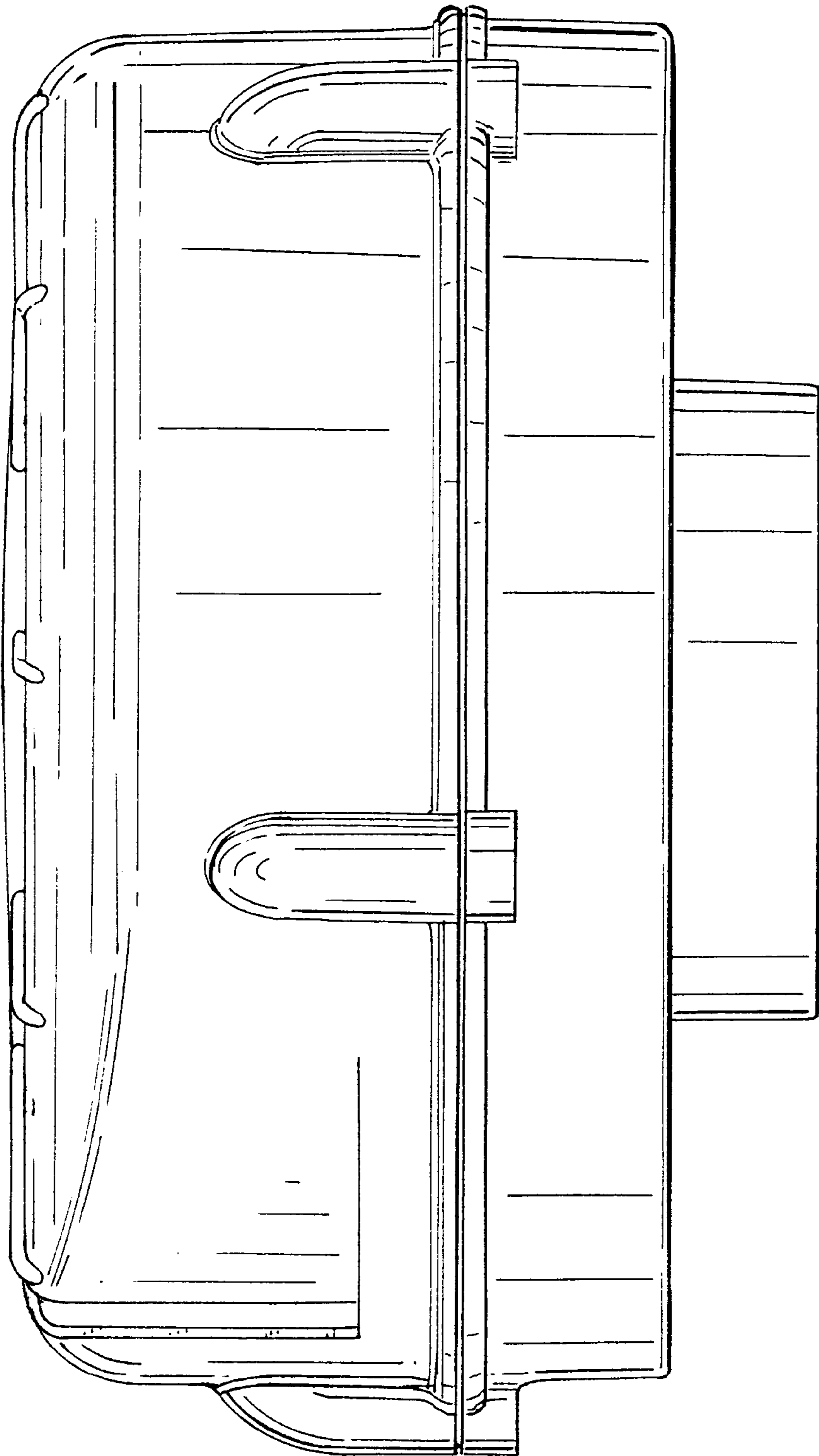


FIG. 3

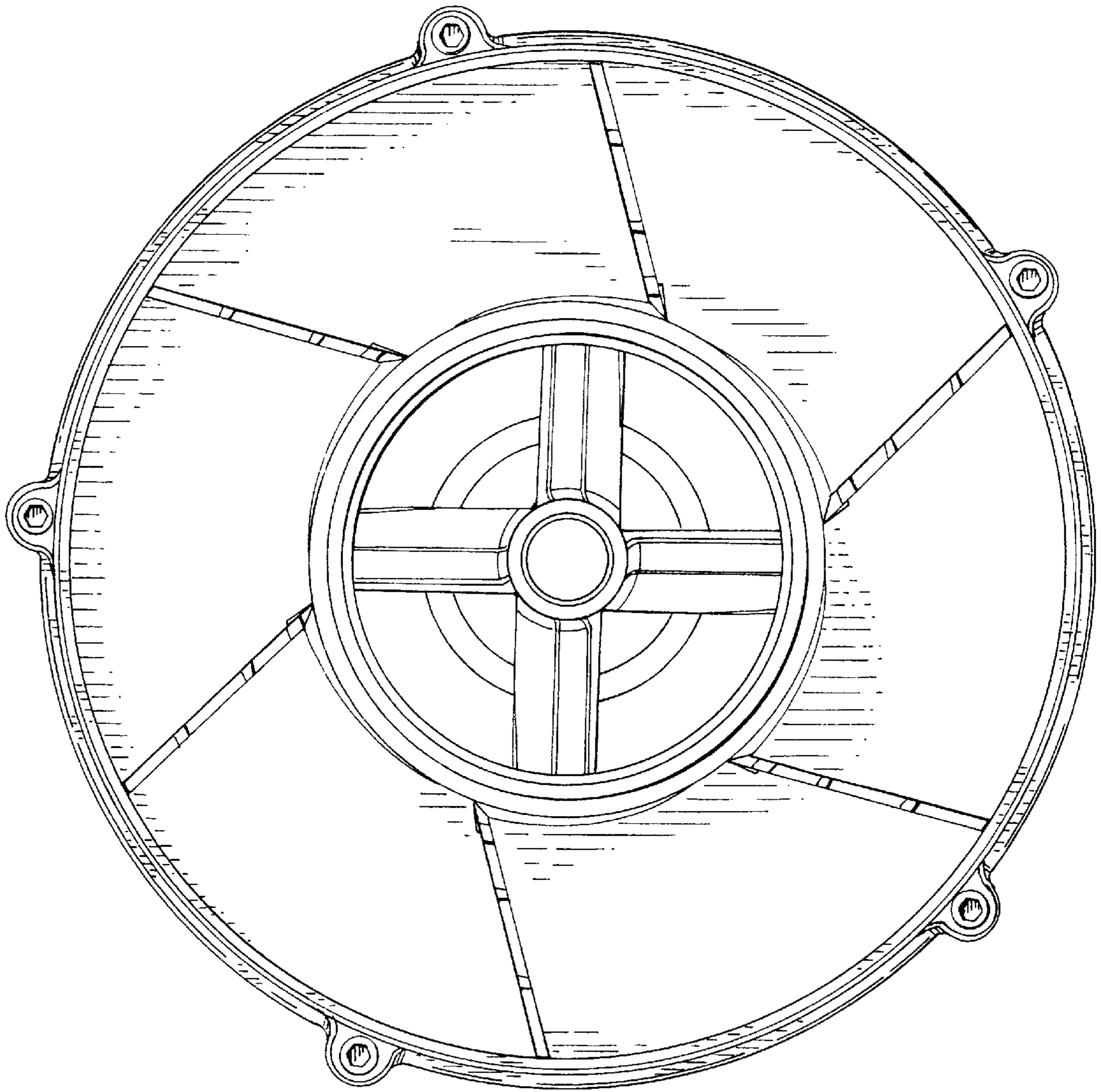


FIG. 4

UNITED STATES PATENT AND TRADEMARK OFFICE  
**CERTIFICATE OF CORRECTION**

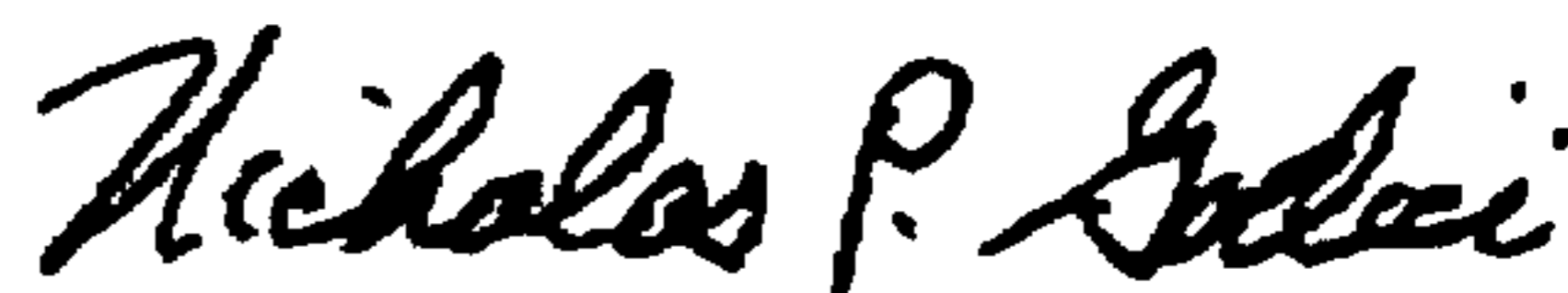
PATENT NO. : Des. 422,069  
DATED : March 28, 2000  
INVENTOR(S) : William K. Decker

It is certified that error appears in the above-identified patent and that said Letters Patent is hereby corrected as shown below:

In the Description, delete "Fig. 3 is a side view thereof; and," and insert in its place --Fig. 3 is an enlarged side view, the other sides being substantially identical except for the top left indented portion.--

In the Description, delete "Fig. 4 is a bototm view thereof" and insert in its place --Fig. 4 is a bottom plan view on a reduced scale.--

Signed and Sealed this  
Eighth Day of May, 2001



NICHOLAS P. GODICI

*Attest:*

*Attesting Officer*

*Acting Director of the United States Patent and Trademark Office*