



US00D422067S

United States Patent [19]

Lee

[11] Patent Number: **Des. 422,067**

[45] Date of Patent: **** Mar. 28, 2000**

[54] CERAMIC DISC FURNACE

[76] Inventor: **Eliza Lee**, c/o Del-Rain Corporation,
4808 Wilton Ave., Niagara Falls, N.Y.
14304

[**] Term: **14 Years**

[21] Appl. No.: **29/105,875**

[22] Filed: **Jun. 4, 1999**

[51] LOC (6) Cl. **23-03**

[52] U.S. Cl. **D23/336; D23/337**

[58] Field of Search D23/329, 332,
D23/335-339, 328; 312/236; 392/373-6,
365-9

[56] **References Cited**

U.S. PATENT DOCUMENTS

- D. 324,907 3/1992 Cook D23/328
- D. 326,318 5/1992 Coup et al. D23/335
- D. 334,618 4/1993 Gilderleeve D23/328

- D. 384,733 10/1997 Jane et al. D23/335
- D. 384,734 10/1997 Ellwood D23/337
- D. 396,279 7/1998 Edigeu et al. D23/332
- D. 410,074 5/1999 Lee D23/332

Primary Examiner—B. J. Bullock
Attorney, Agent, or Firm—Trojan Law Offices

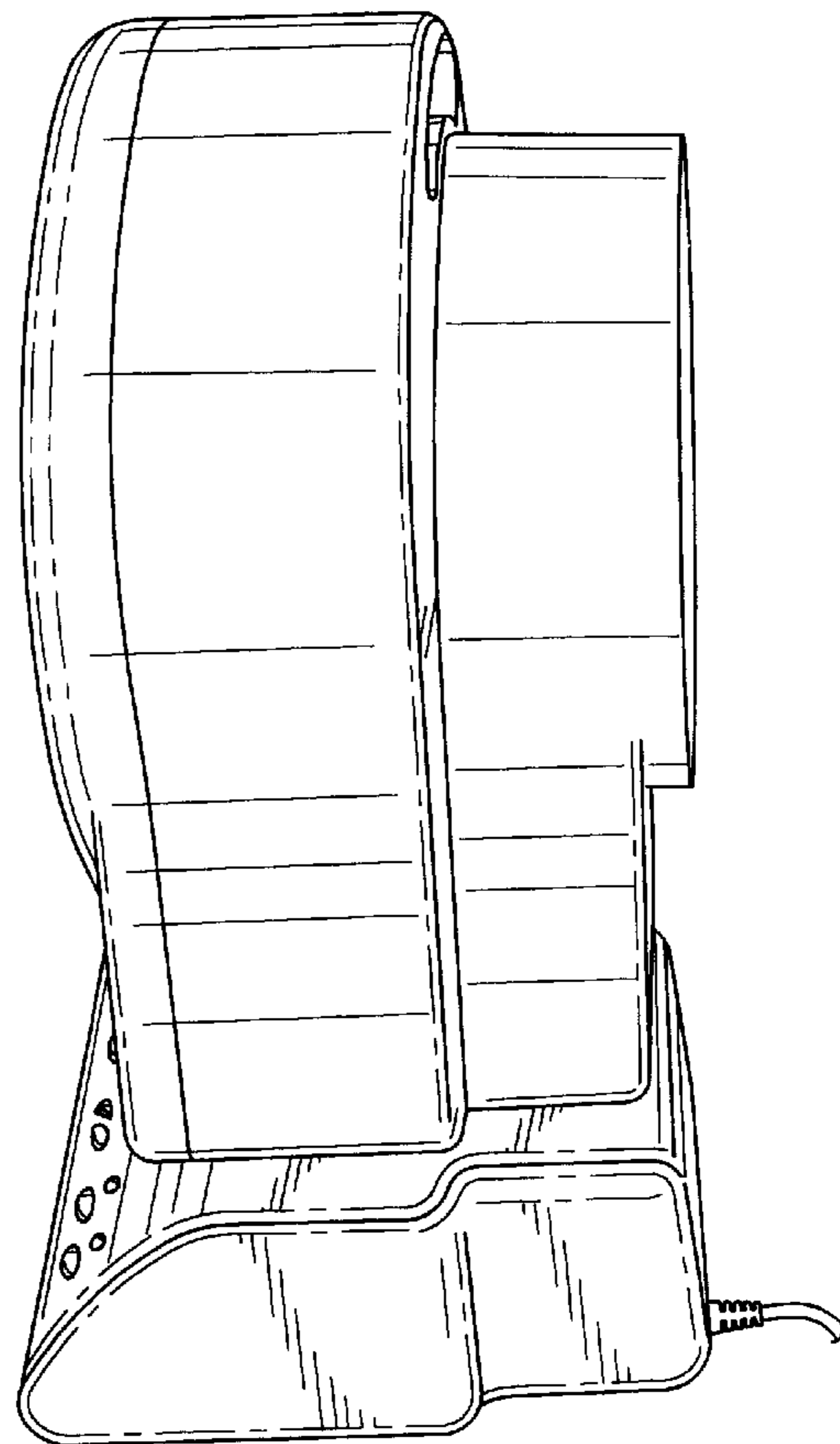
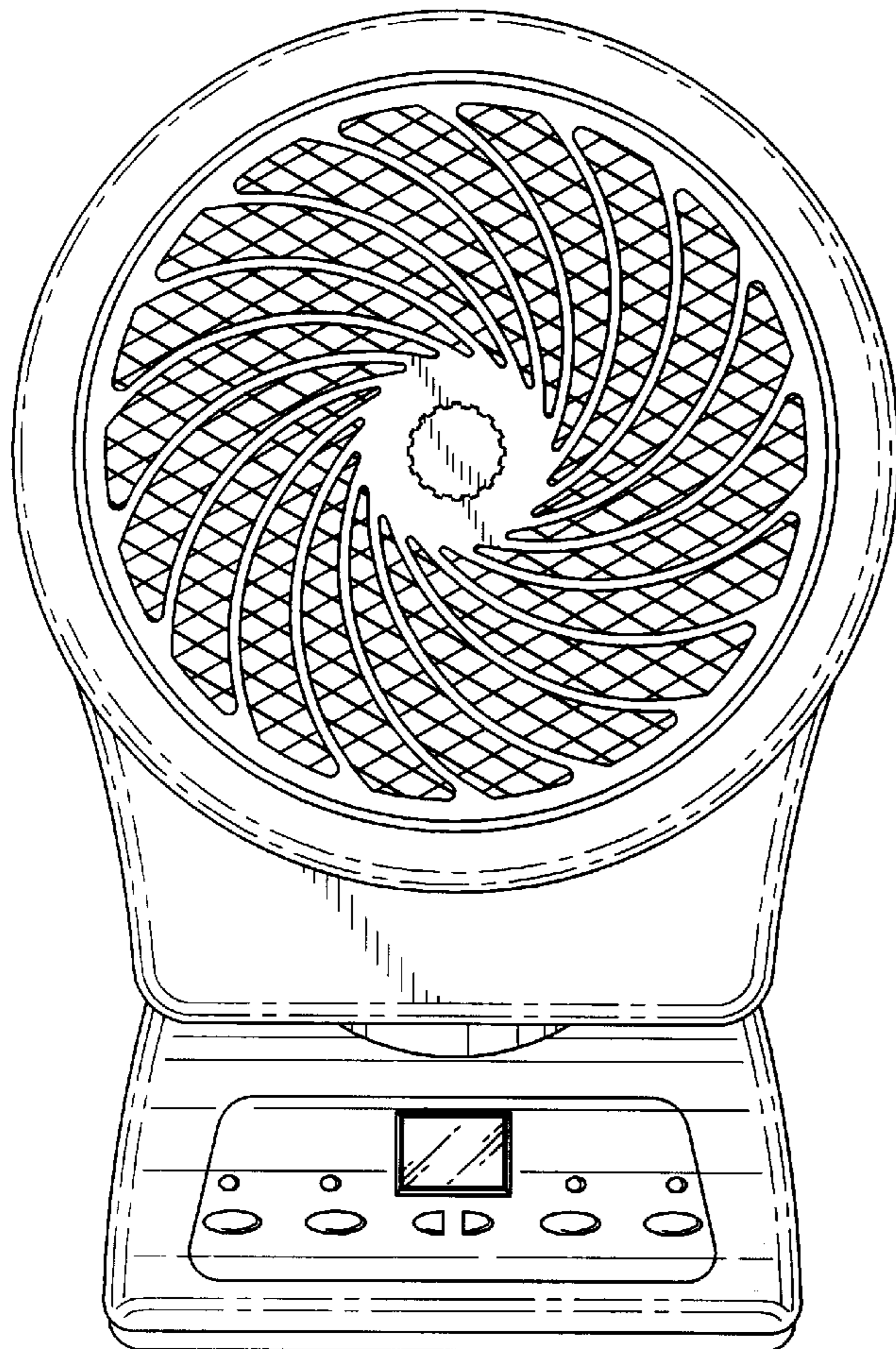
[57] **CLAIM**

The ornamental design for a ceramic disc furnace, as shown and described.

DESCRIPTION

FIG. 1 is a front perspective view of the ceramic disc furnace, showing the new design;
FIG. 2 is a right perspective view thereof;
FIG. 3 is a top perspective view thereof; and,
FIG. 4 is a back perspective view thereof.
The surface(s) or portion(s) of the article not shown in the drawing or described in the specification form(s) no part of the claimed design.

1 Claim, 2 Drawing Sheets



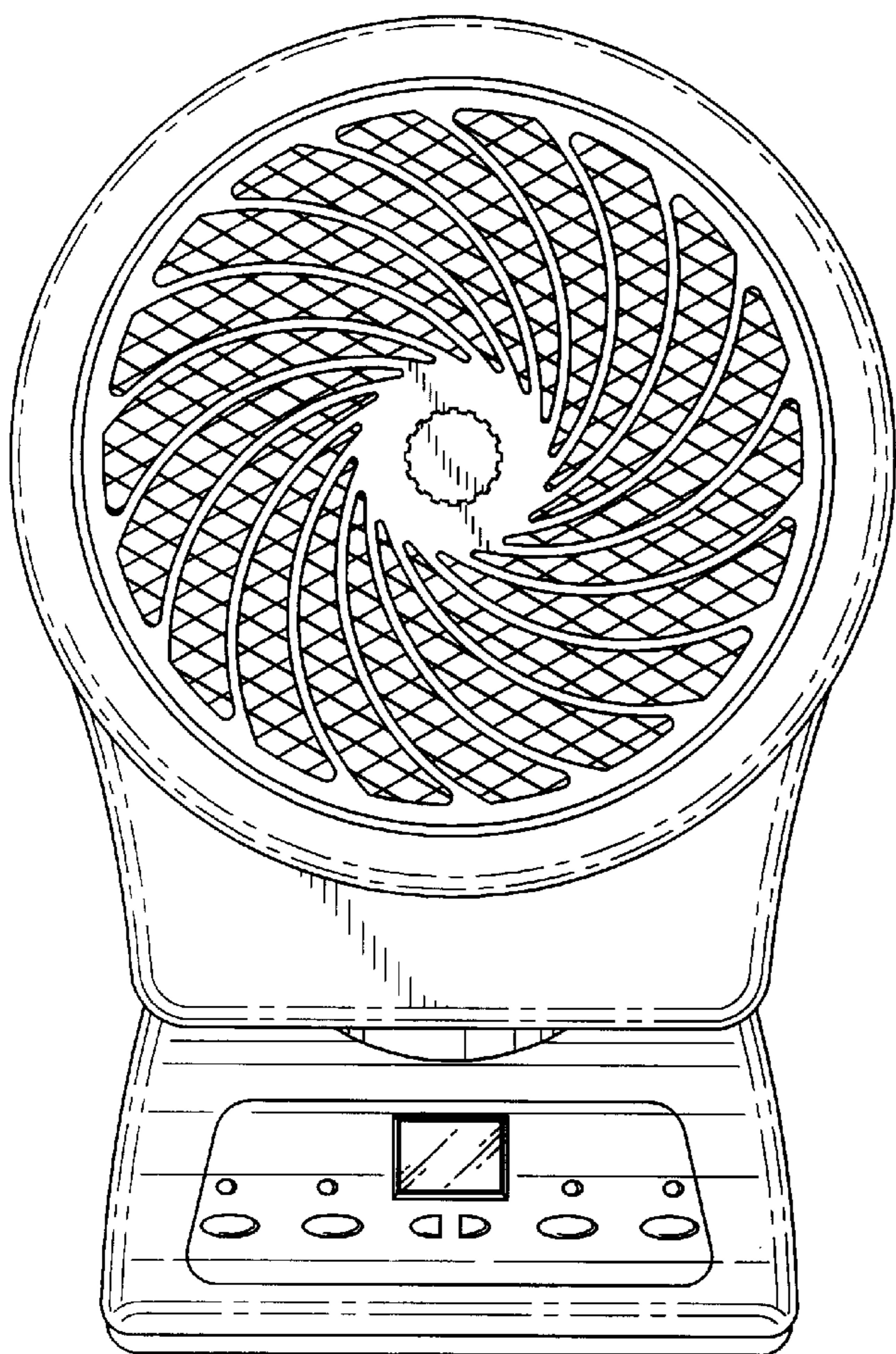


FIG. 1

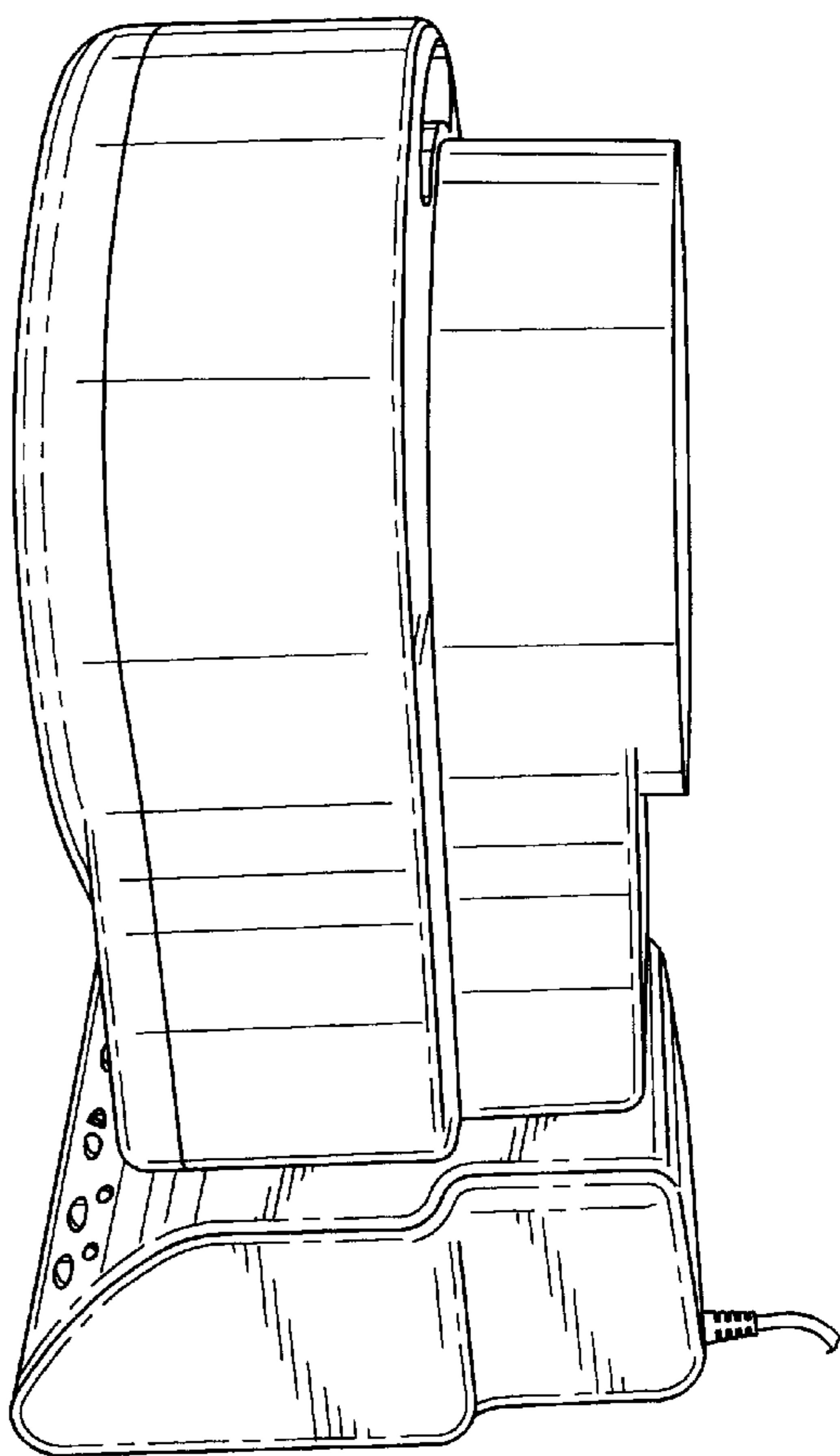


FIG. 2

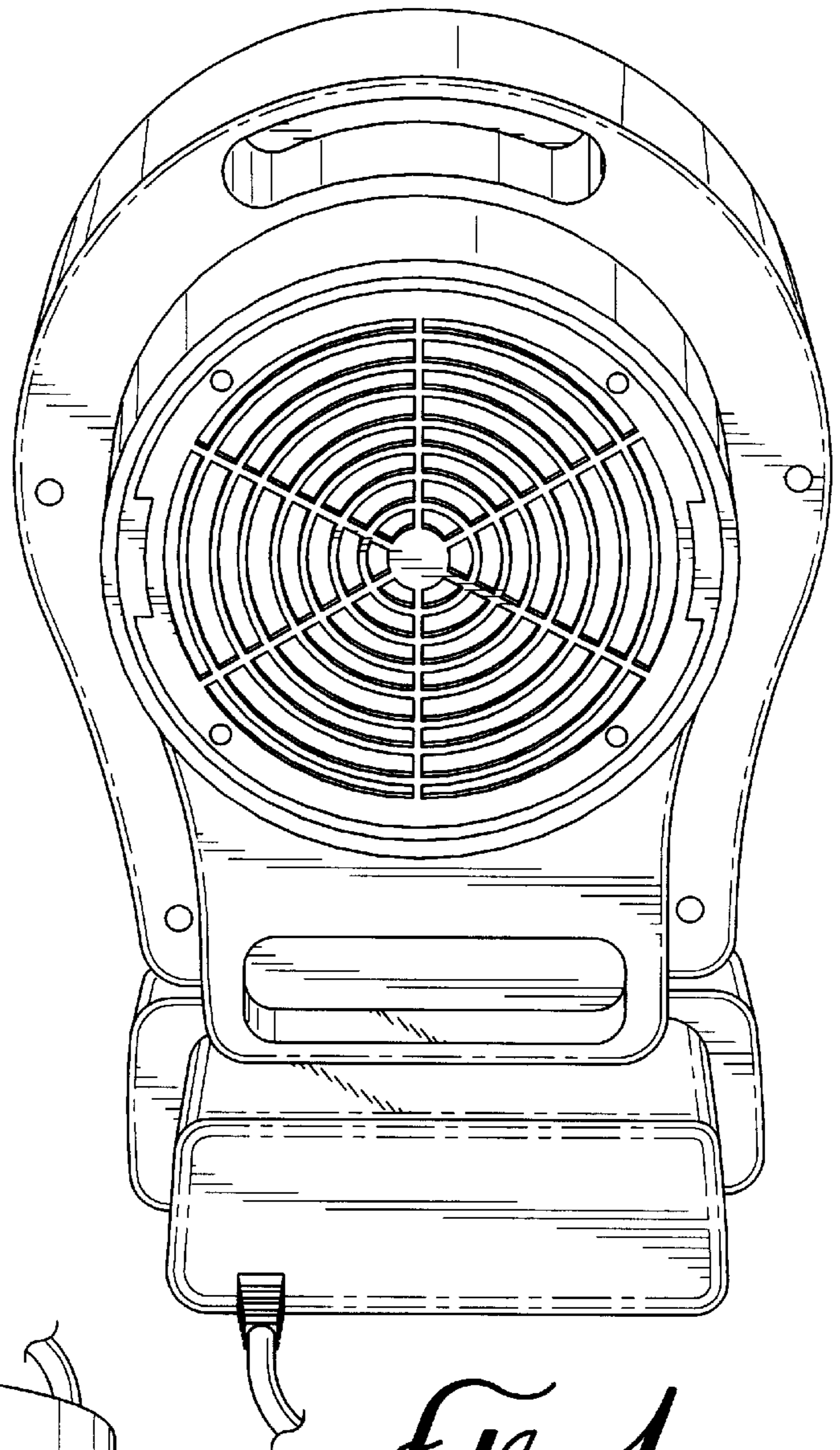


FIG. 3

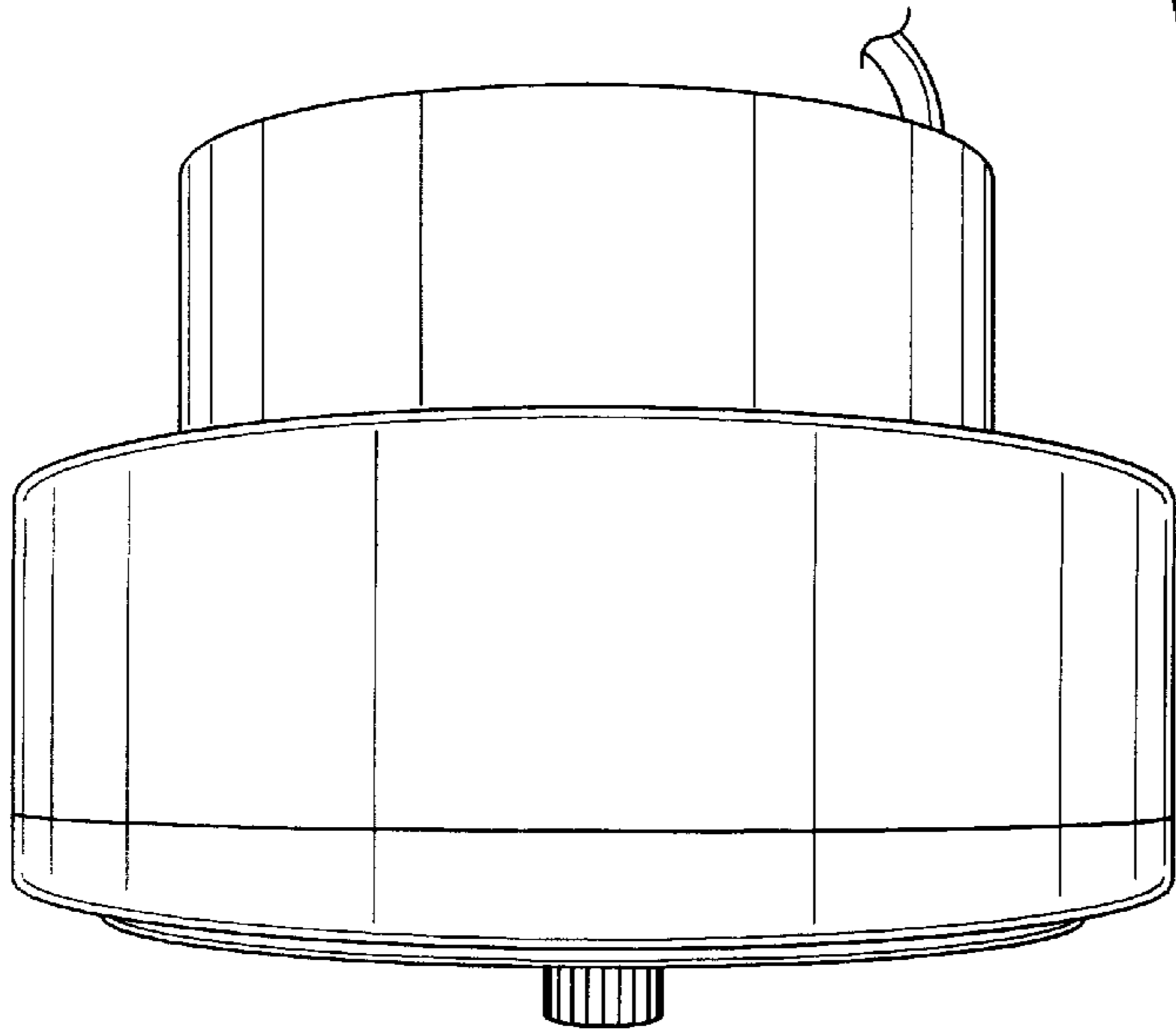


FIG. 4