



US00D422066S

United States Patent [19]

Lee

[11] Patent Number: **Des. 422,066**

[45] Date of Patent: **** Mar. 28, 2000**

[54] CERAMIC DISC FURNACE

[76] Inventor: **Eliza Lee**, c/o Del-Rain Corporation,
4808 Wilton Ave., Niagara Falls, N.Y.
14304

[**] Term: **14 Years**

[21] Appl. No.: **29/105,874**

[22] Filed: **Jun. 4, 1999**

[51] LOC (6) Cl. **23-03**

[52] U.S. Cl. **D23/335**

[58] Field of Search D23/329, 332,
D23/335-339, 328; 312/236; 392/373-6,
365-9

[56] **References Cited**

U.S. PATENT DOCUMENTS

- D. 271,133 10/1983 Pataki .
- D. 300,847 4/1989 Lin D23/335
- D. 353,662 12/1994 Patton et al. D23/335

- D. 372,523 8/1996 Radtke, Jr. D23/328
- D. 402,742 12/1998 Chen D23/335
- D. 410,074 5/1999 Lee D23/332

Primary Examiner—B. J. Bullock
Attorney, Agent, or Firm—Trojan Law Offices

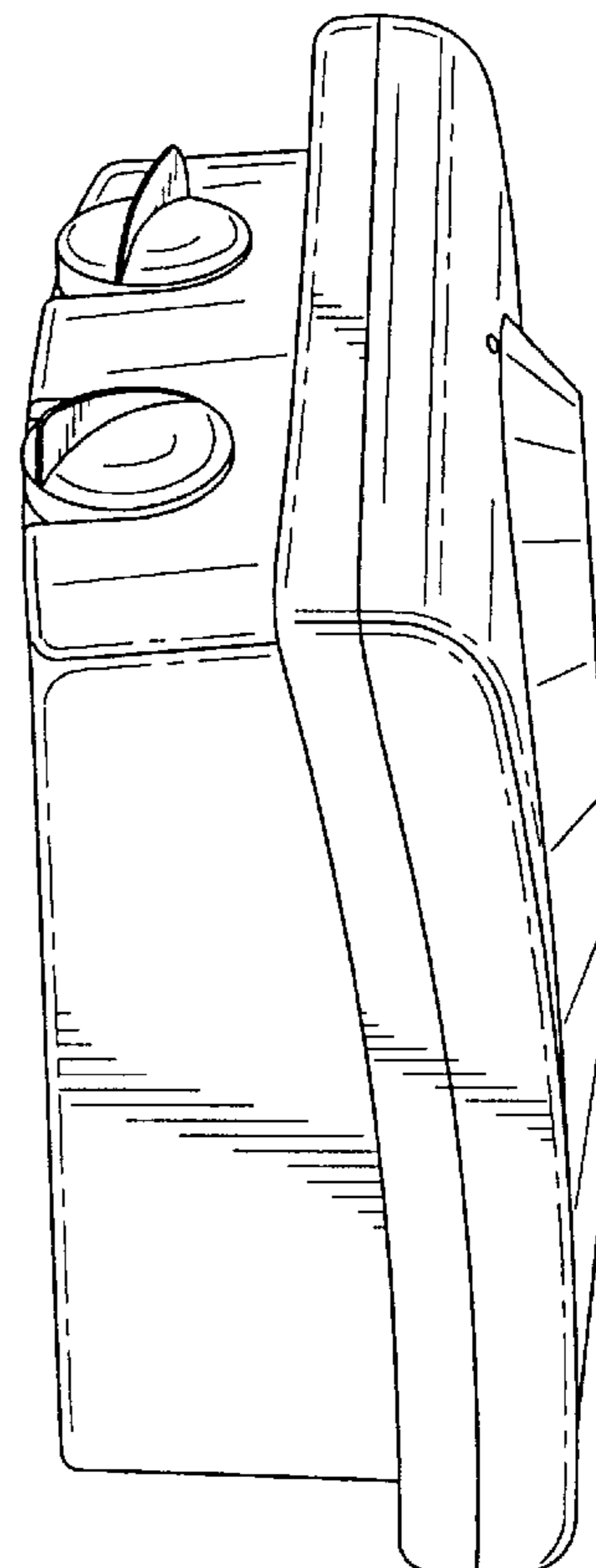
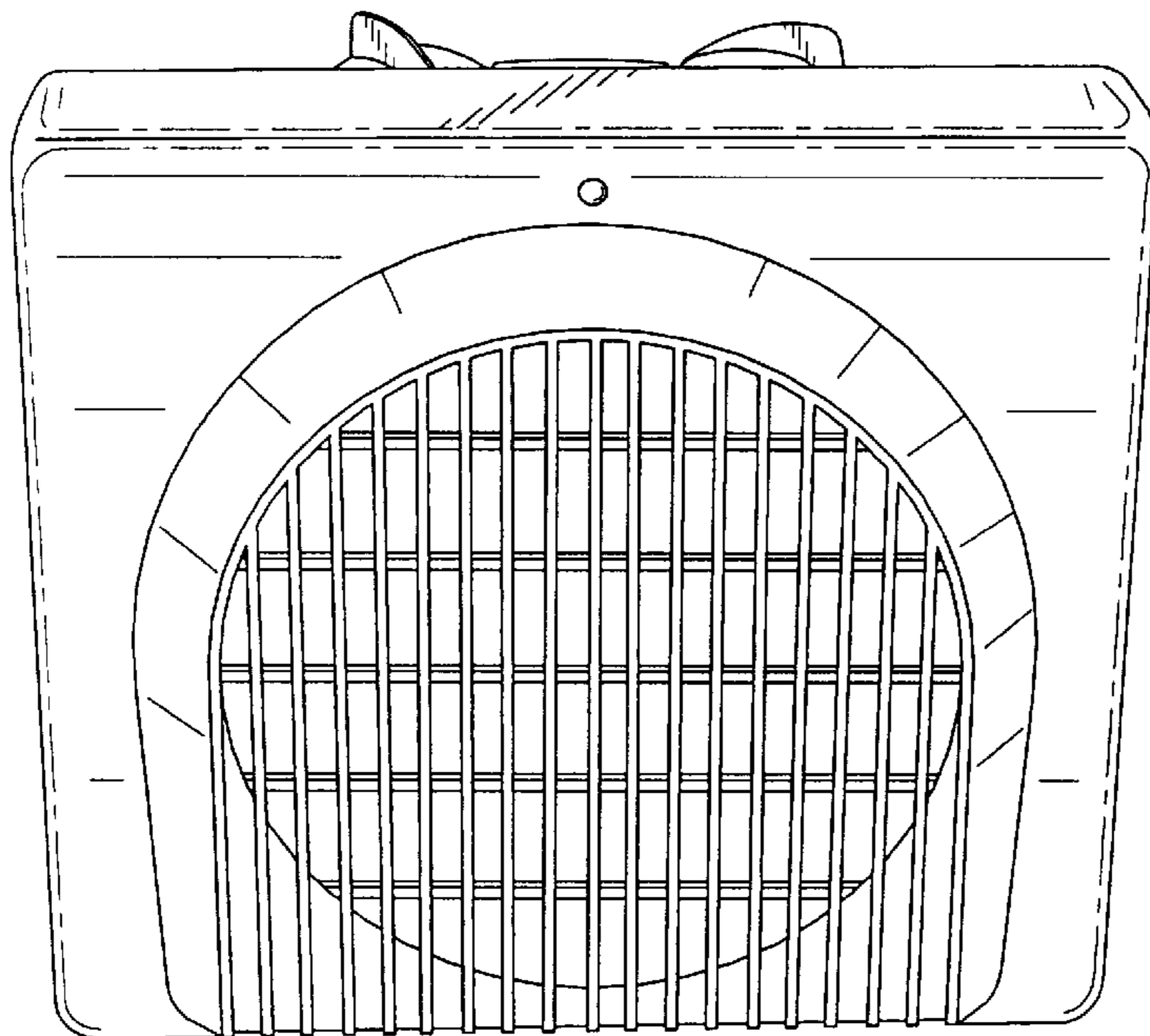
[57] **CLAIM**

The ornamental design for a ceramic disc furnace, as shown and described.

DESCRIPTION

FIG. 1 is a front perspective view for the ceramic disc furnace, showing the new design;
FIG. 2 is a left side elevational view thereof;
FIG. 3 is a top view thereof; and,
FIG. 4 is a back side elevational view thereof.
The surface(s) or portion(s) of the article not shown in the drawing or described in the specification form(s) no part of the claimed design.

1 Claim, 2 Drawing Sheets



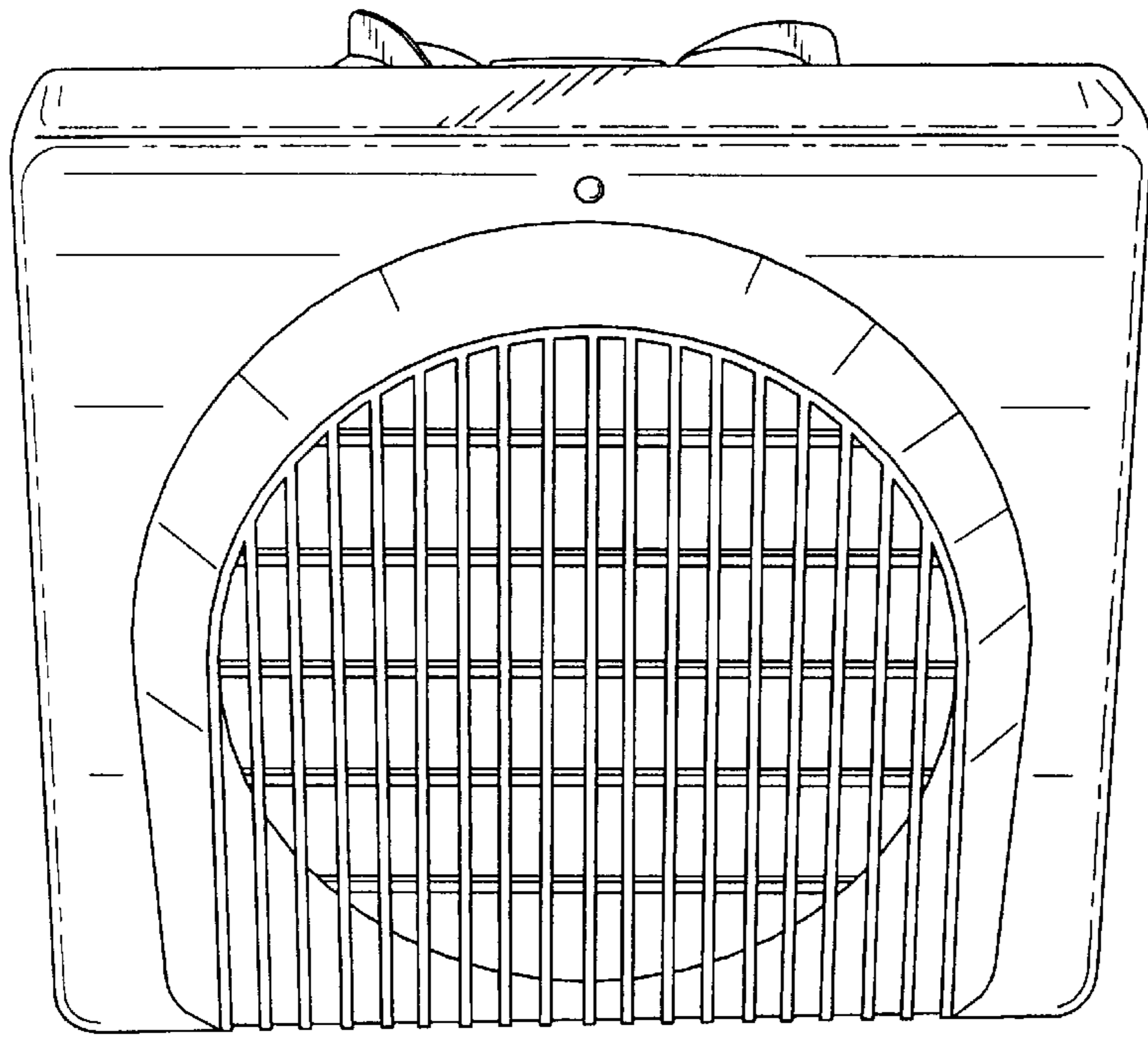


FIG. 1

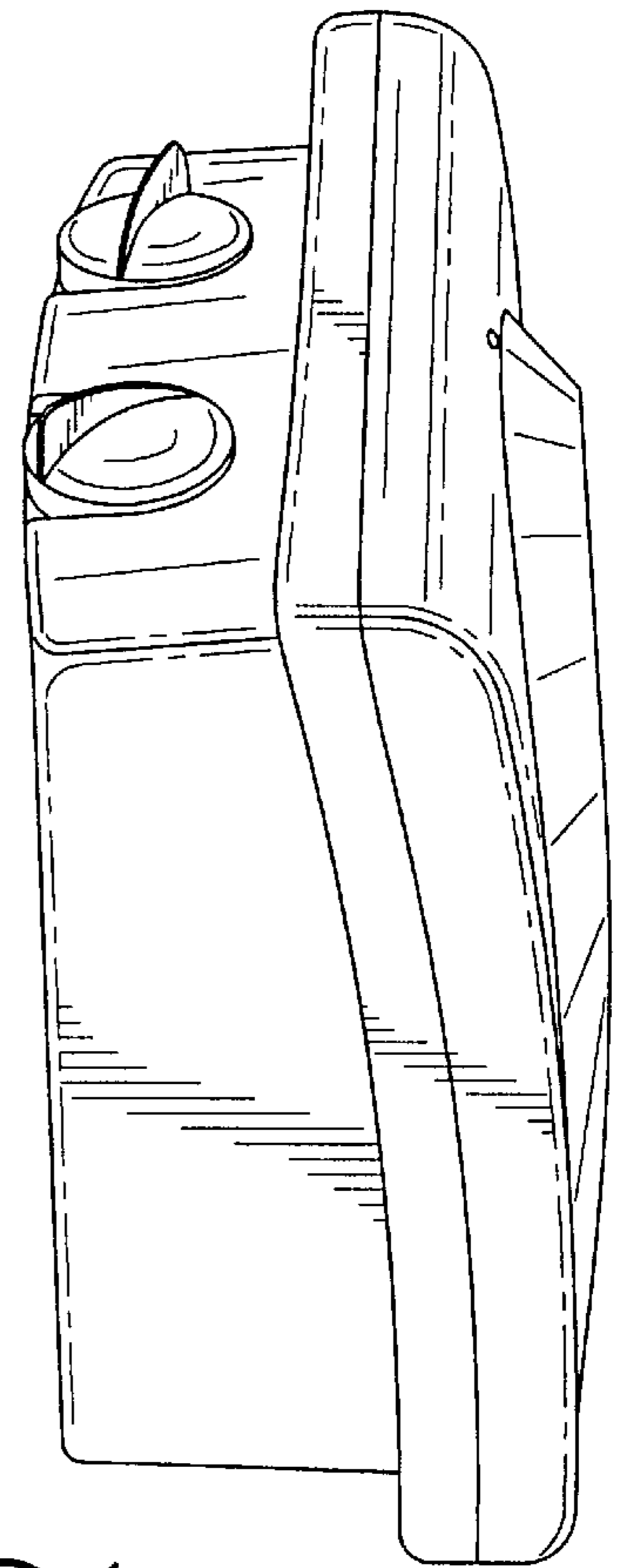


FIG. 2

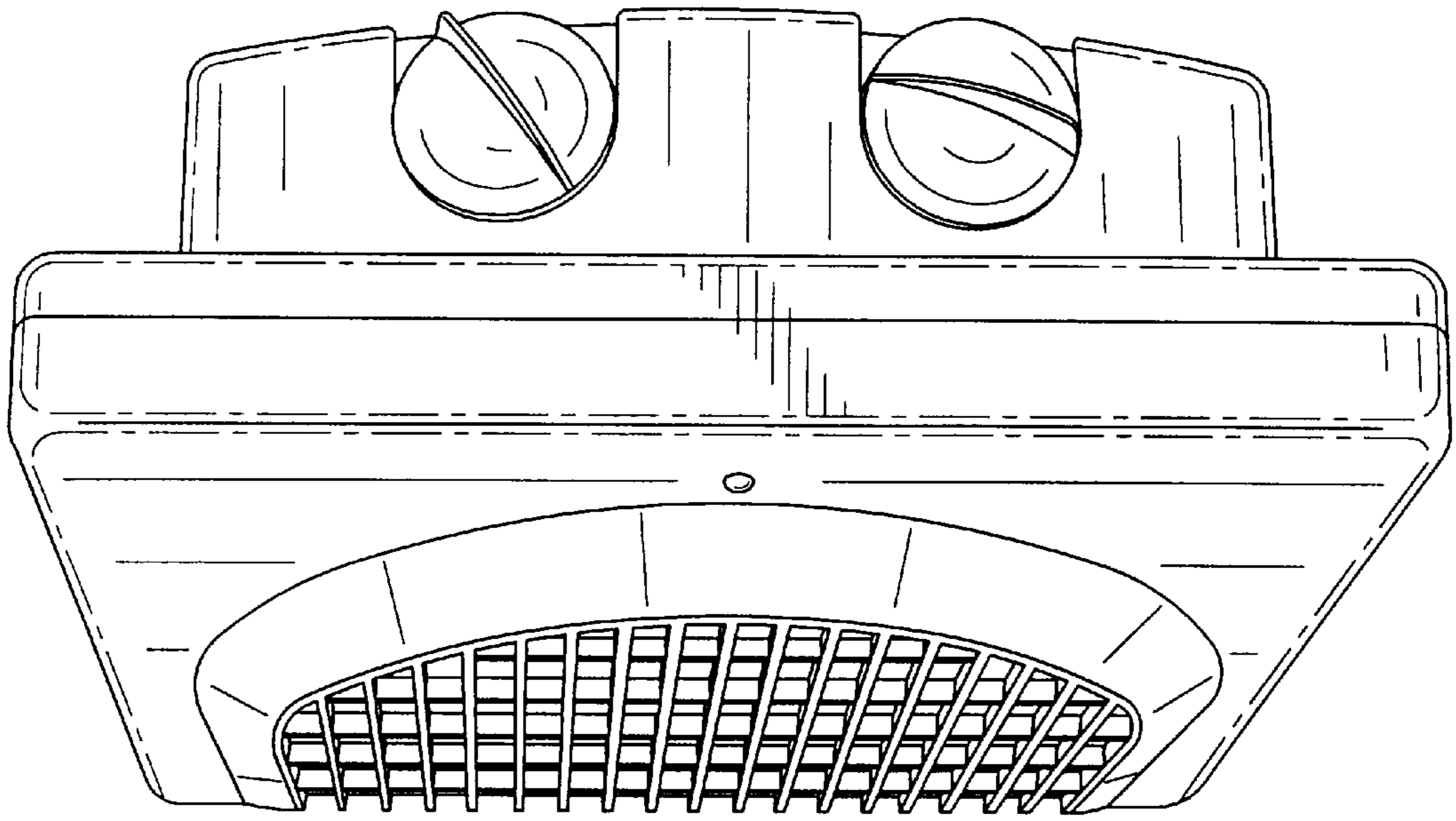


FIG. 3

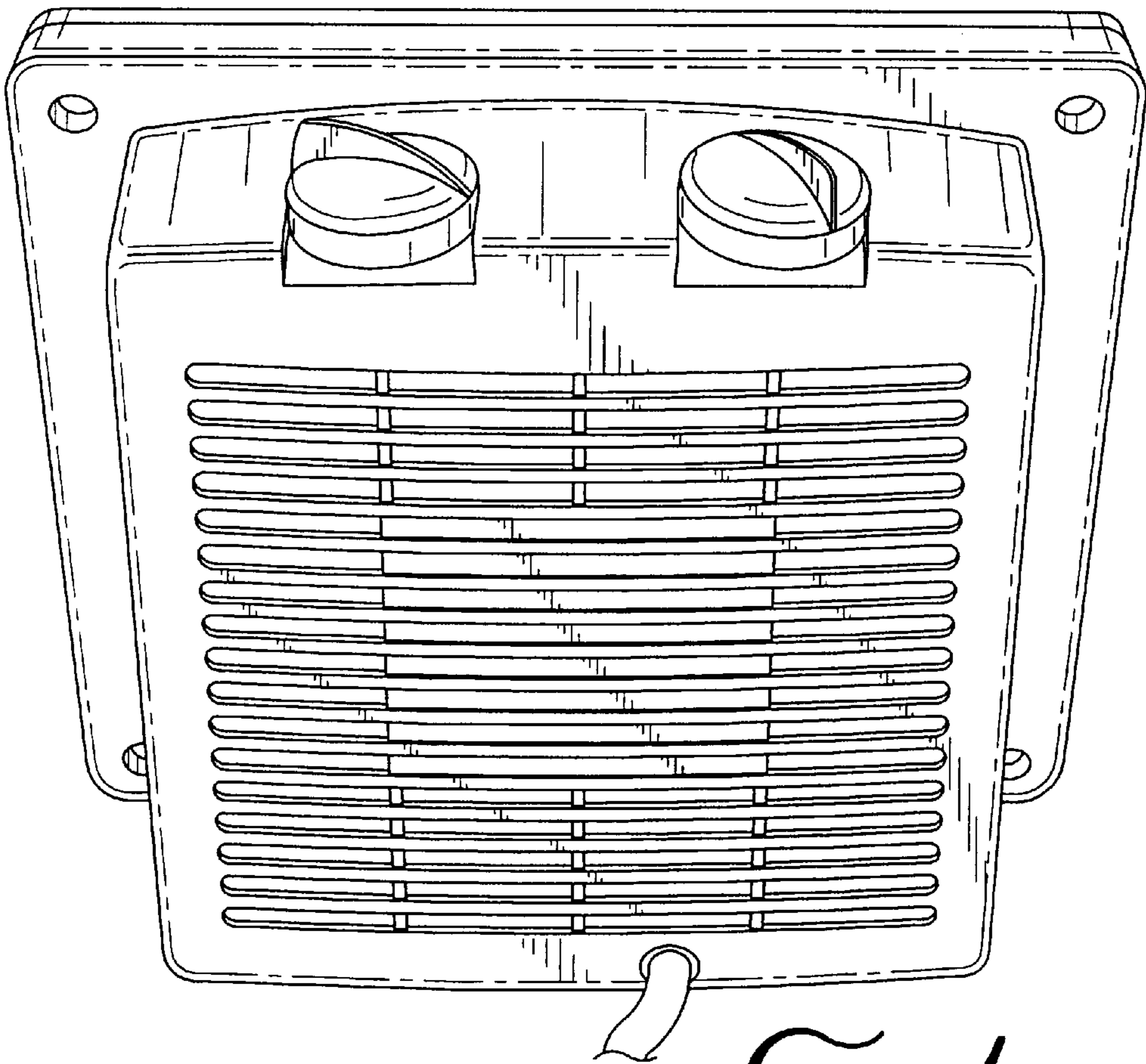


FIG. 4