



US00D422064S

United States Patent [19] Inch

[11] **Patent Number: Des. 422,064**

[45] **Date of Patent: ** Mar. 28, 2000**

[54] **TOILET BOWL**

[75] Inventor: **John D. Inch**, Kansas City, Mo.

[73] Assignee: **Metcraft, Inc.**, Grandview, Mo.

[**] Term: **14 Years**

[21] Appl. No.: **29/103,853**

[22] Filed: **Apr. 22, 1999**

[51] **LOC (6) Cl.** **23-02**

[52] **U.S. Cl.** **D23/295**

[58] **Field of Search** D23/284-293.1,
D23/295-301; 4/619, 624, 626, 638-640

[56] **References Cited**

U.S. PATENT DOCUMENTS

D. 258,607	3/1981	Wilson	D23/295
D. 398,972	9/1998	Klimek et al.	D23/295
4,041,554	8/1977	Gregory et al.	4/420
4,137,580	2/1979	Iwans et al.	4/420

Primary Examiner—Eric Watterson
Attorney, Agent, or Firm—Lathrop & Gage, L.C.

[57] **CLAIM**

An ornamental design for a toilet bowl, as shown and described.

DESCRIPTION

FIG. 1 is a perspective view of a toilet bowl showing our new design;

FIG. 2 is a right side view thereof, the opposite side being a mirror image of the side shown;

FIG. 3 is a top plan view thereof;

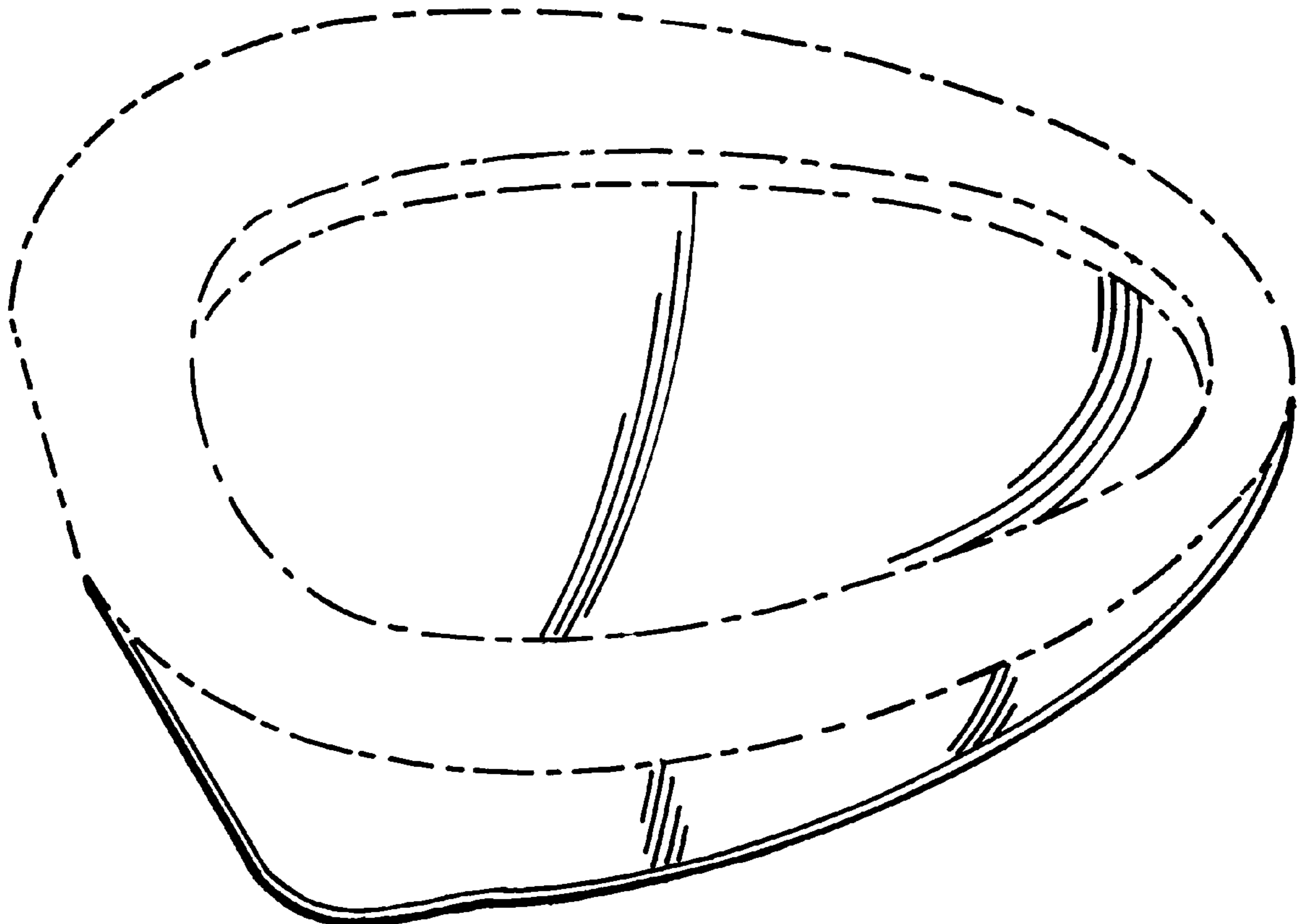
FIG. 4 is a rear view thereof;

FIG. 5 is a front side view thereof; and,

FIG. 6 is a bottom plan view thereof.

The broken lines of FIG. 1 depict a rim for the toilet bowl are for illustrative purposes only, and do not form any part of the claimed design.

1 Claim, 3 Drawing Sheets



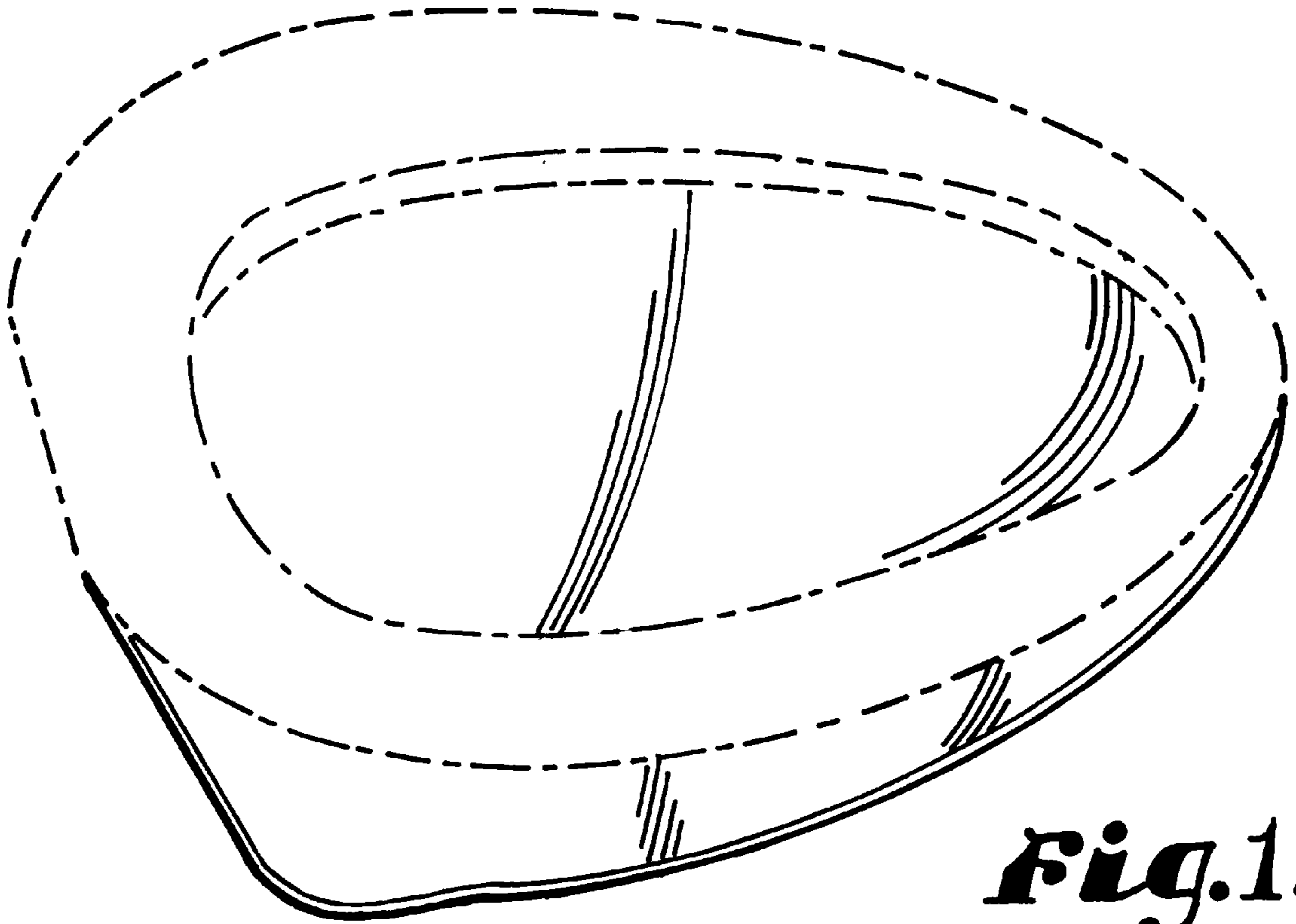


Fig. 1.

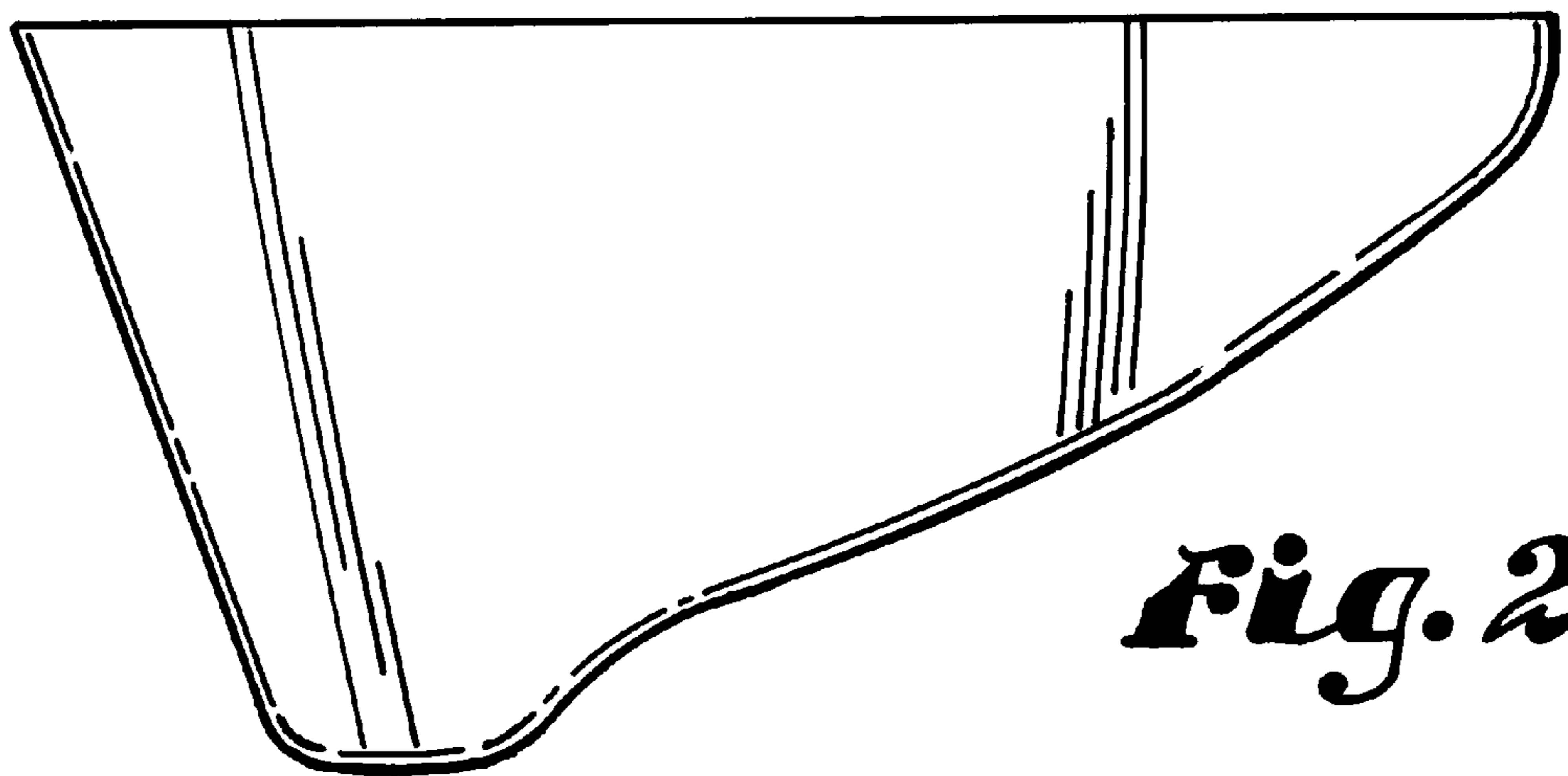


Fig. 2.

Fig. 3.

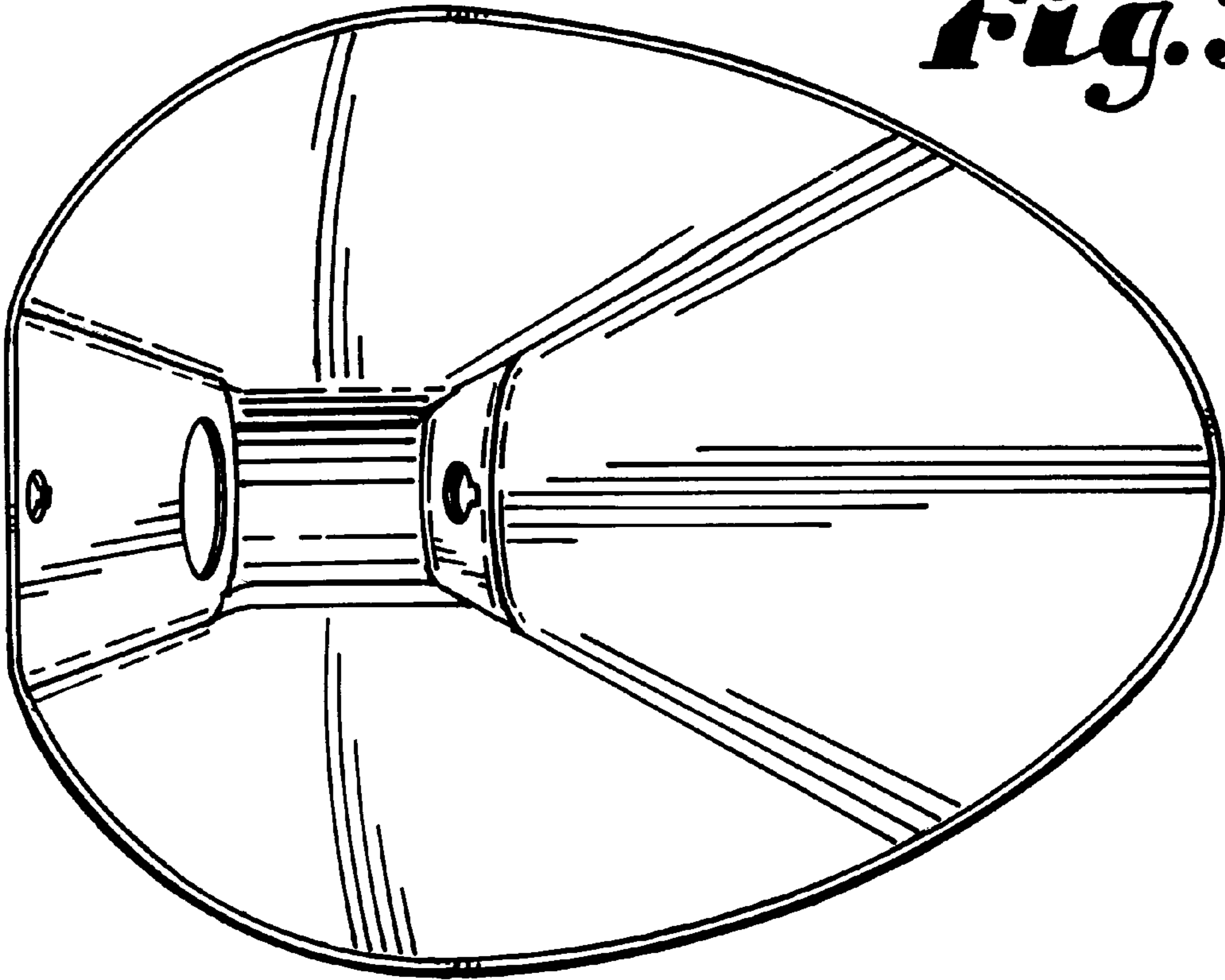
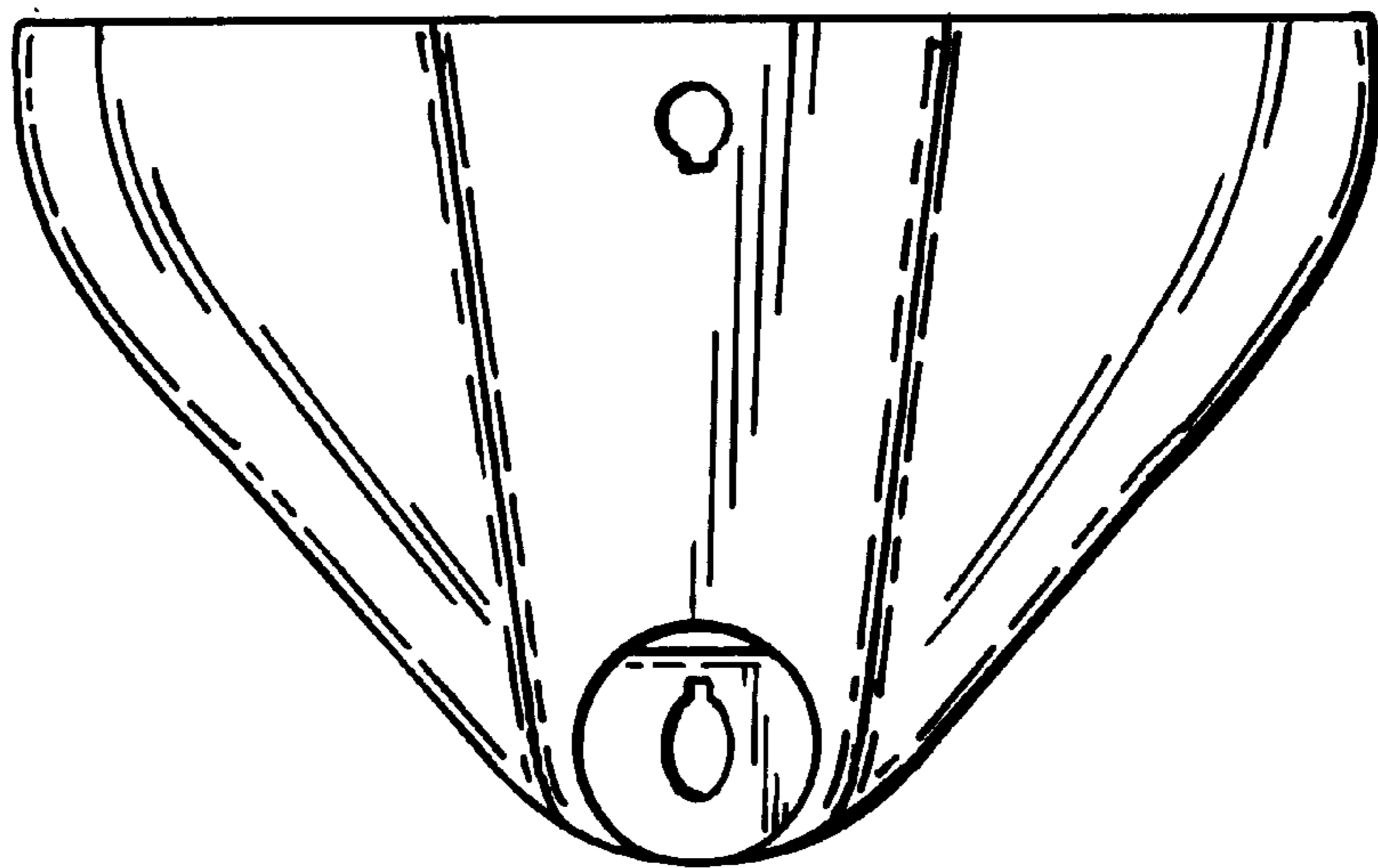


Fig. 4.



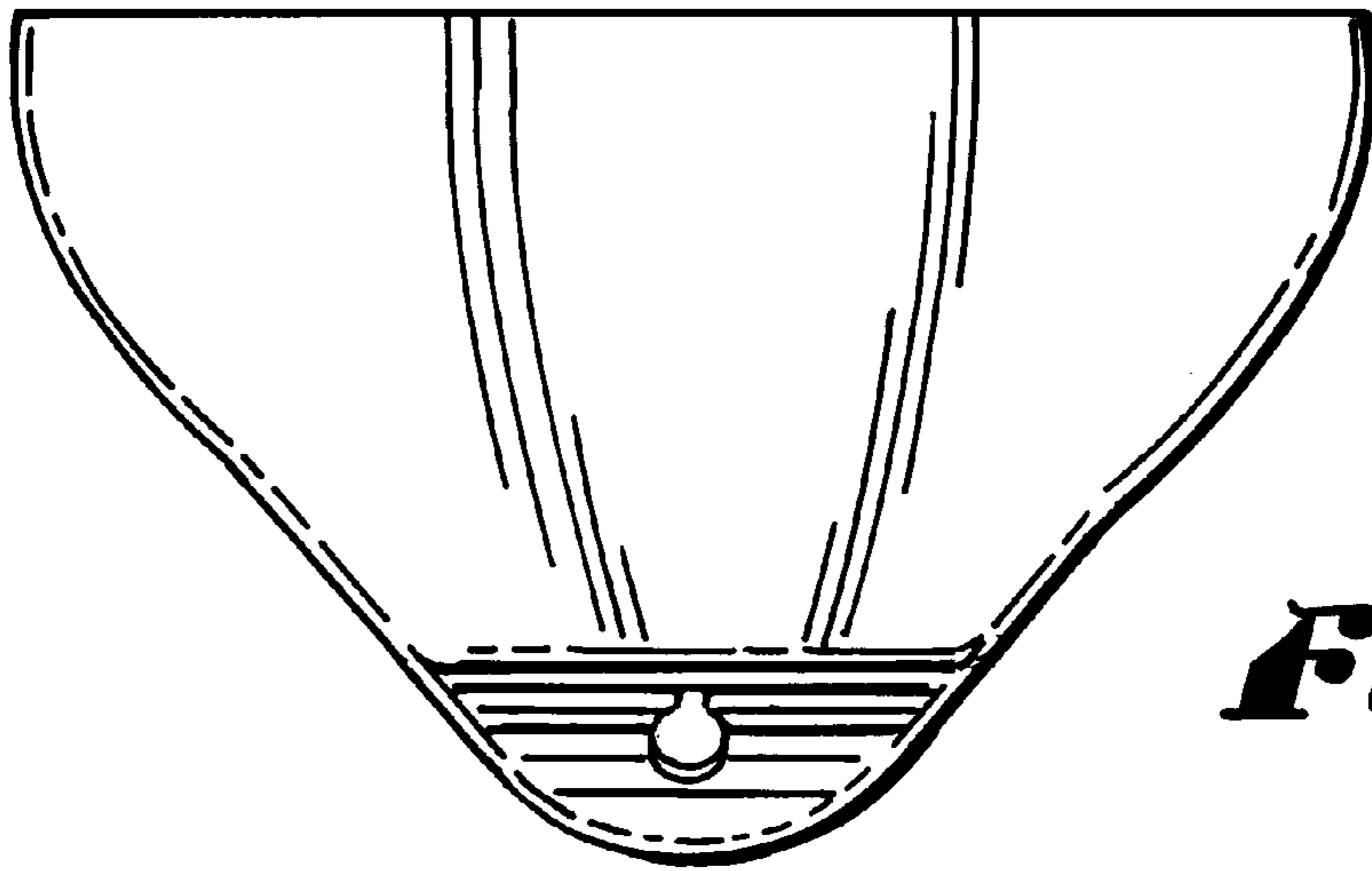


Fig. 5.

Fig. 6.

