



US00D422062S

United States Patent [19] Formgren

[11] **Patent Number: Des. 422,062**

[45] **Date of Patent: ** Mar. 28, 2000**

[54] **LAVATORY**

[75] Inventor: **Anna-Pia K. Formgren**, Sheboygan, Wis.

[73] Assignee: **Kohler Co.**, Kohler, Wis.

[**] Term: **14 Years**

[21] Appl. No.: **29/069,705**

[22] Filed: **Apr. 3, 1997**

[51] **LOC (6) Cl.** **23-02**

[52] **U.S. Cl.** **D23/293.1**

[58] **Field of Search** D23/284–293.1;
4/619, 624, 625, 628, 638–650

[56] **References Cited**

U.S. PATENT DOCUMENTS

D. 50,186	1/1917	Faerber	D23/292 X
D. 217,968	7/1970	Armstrong	D23/58
D. 288,351	2/1987	Smith	D23/58
D. 296,357	6/1988	Brossardt et al.	D23/292
D. 320,068	9/1991	Waldren	D23/292
D. 344,577	2/1994	Ohpus et al.	D23/293.1

OTHER PUBLICATIONS

- 1996 Kohler ad showing a “Conical Bell” lavatory.
- Undated Pro Interieur ad showing a lavatory with a mounting rim, admitted prior art.
- 1990 Giorgio ad showing a Model 1101DF sink.
- 1992 INAX ad showing round sinks with designs.

Primary Examiner—Louis S. Zarfes
Assistant Examiner—Eric Watterson
Attorney, Agent, or Firm—Quarles & Brady

[57] **CLAIM**

The ornamental design for a lavatory, as shown and described.

DESCRIPTION

FIG. 1 is a right, top, front perspective view of a lavatory embodying my new design;
 FIG. 2 is a front perspective view taken slightly from the top thereof;
 FIG. 3 is a top plan view thereof;
 FIG. 4 is a bottom plan view thereof;
 FIG. 5 is a front elevational view thereof, the rear elevational view being identical to the front side shown;
 FIG. 6 is a right side elevational view thereof, the left side elevational view being identical to the right side shown;
 FIG. 7 is a cross-sectional view taken along line 7—7 of FIG. 3;
 FIG. 8 is a cross-sectional view taken along line 8—8 of FIG. 3;
 FIG. 9 is a front perspective view taken slightly from the top of a second embodiment, the bottom plan view being identical to that shown in FIG. 4, the front and rear elevational views being identical to that shown and described for FIG. 5, and the right and left side elevational views being identical to that shown and described for FIG. 6;
 FIG. 10 is a top plan view thereof; and,
 FIG. 11 is an enlarged, detailed partial cross-sectional view taken along line 11—11 of FIG. 10.

1 Claim, 5 Drawing Sheets

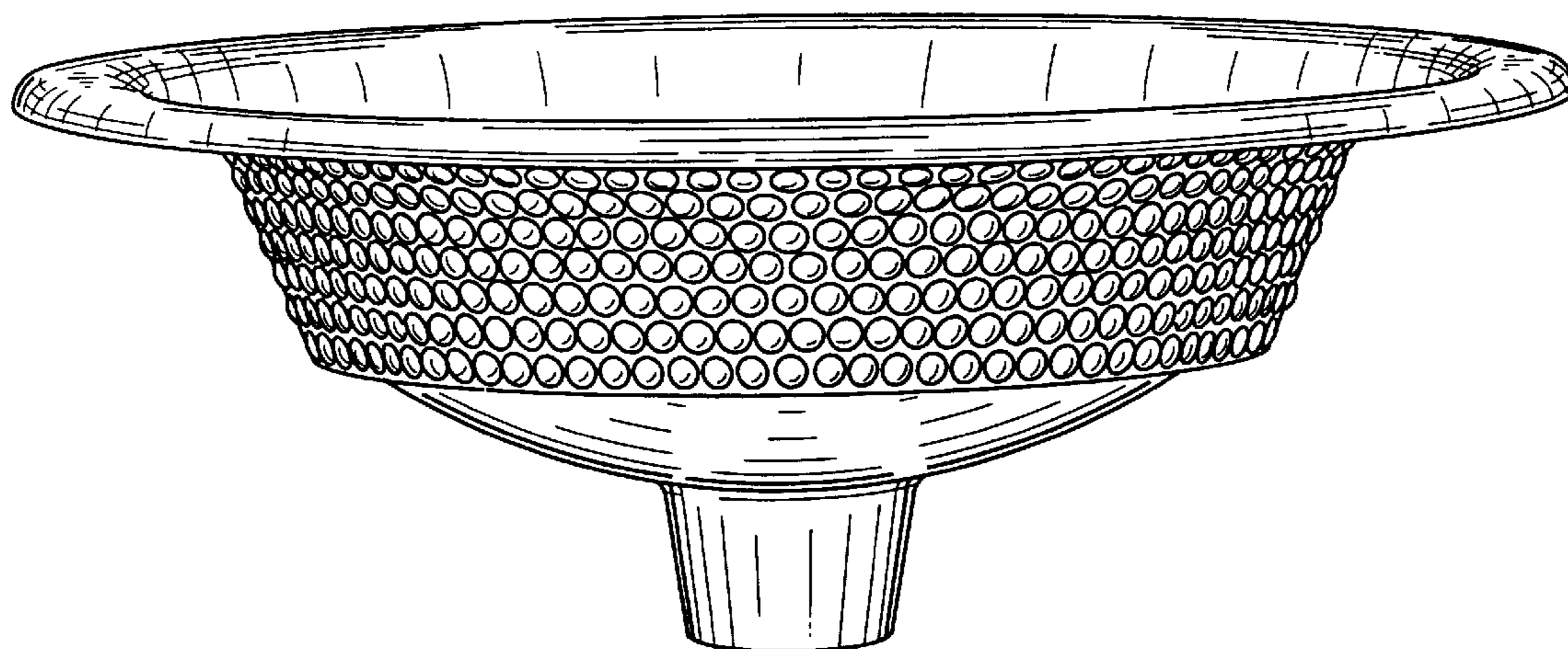


FIG. 1

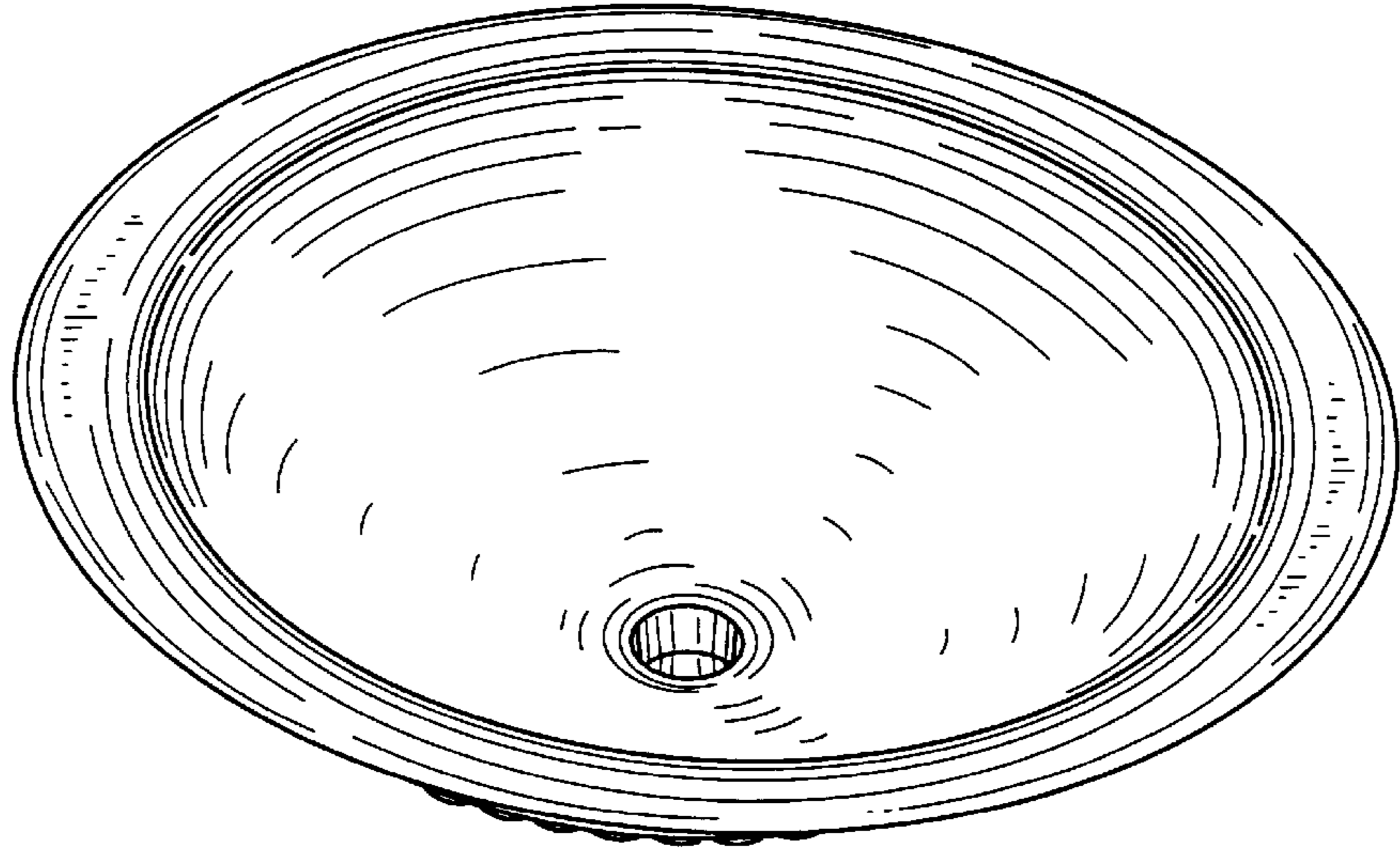


FIG. 2

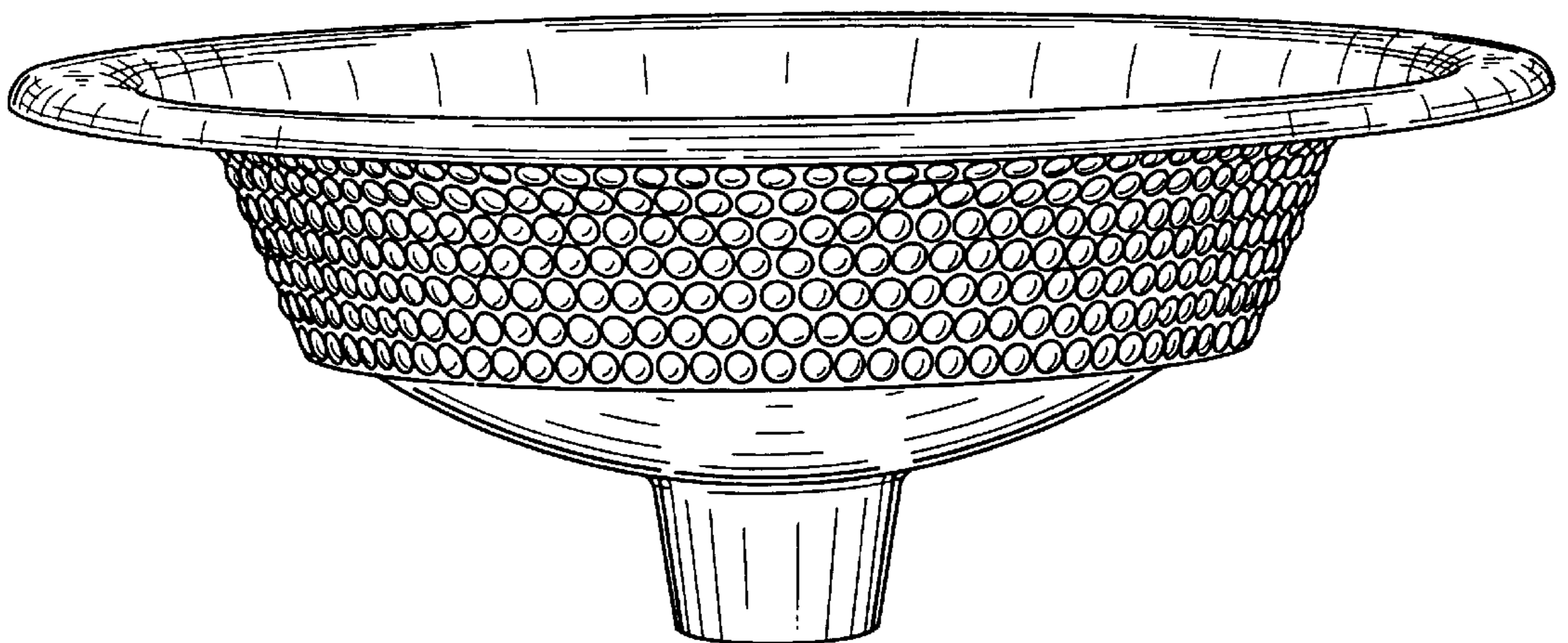


FIG. 3

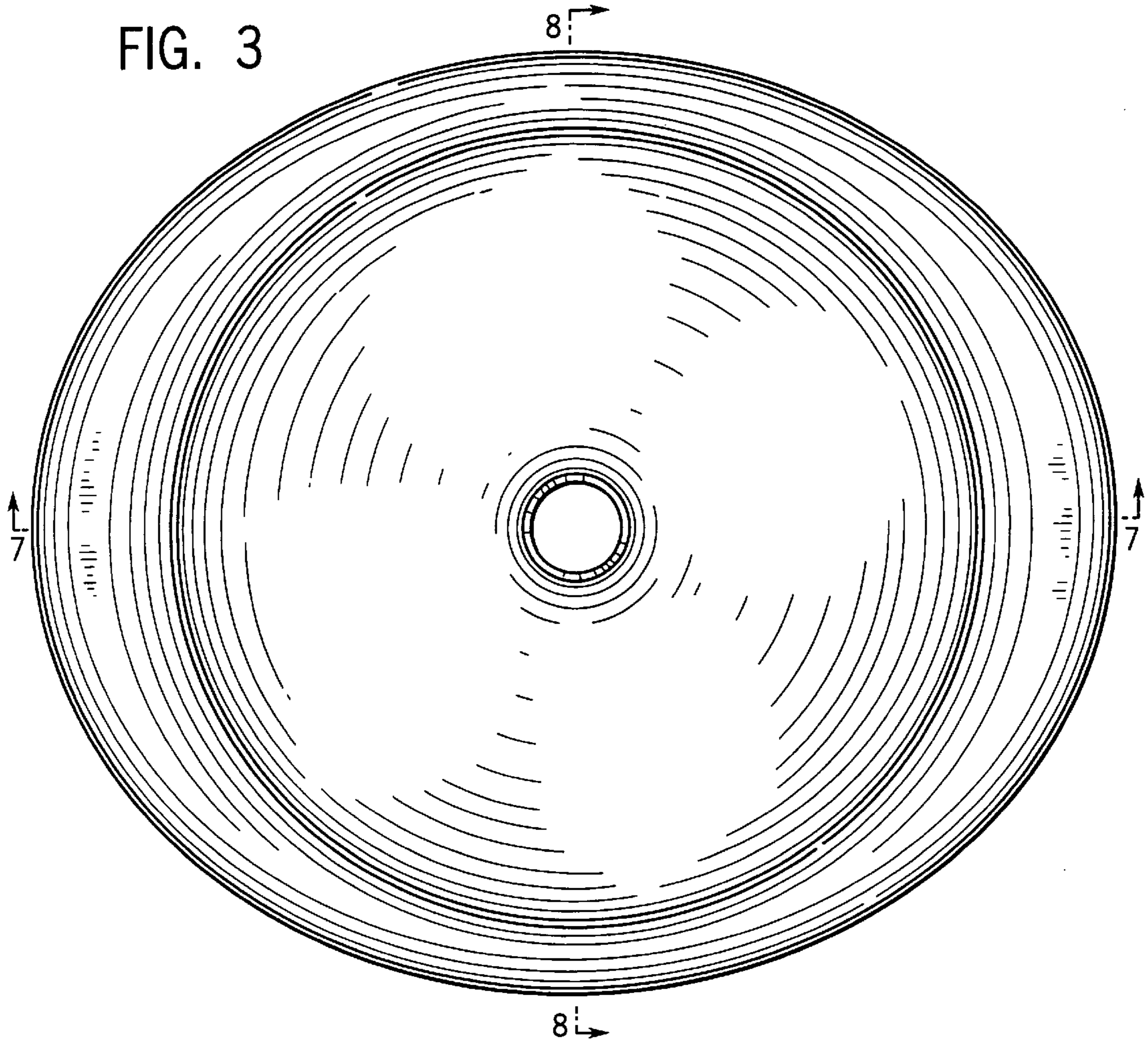


FIG. 6

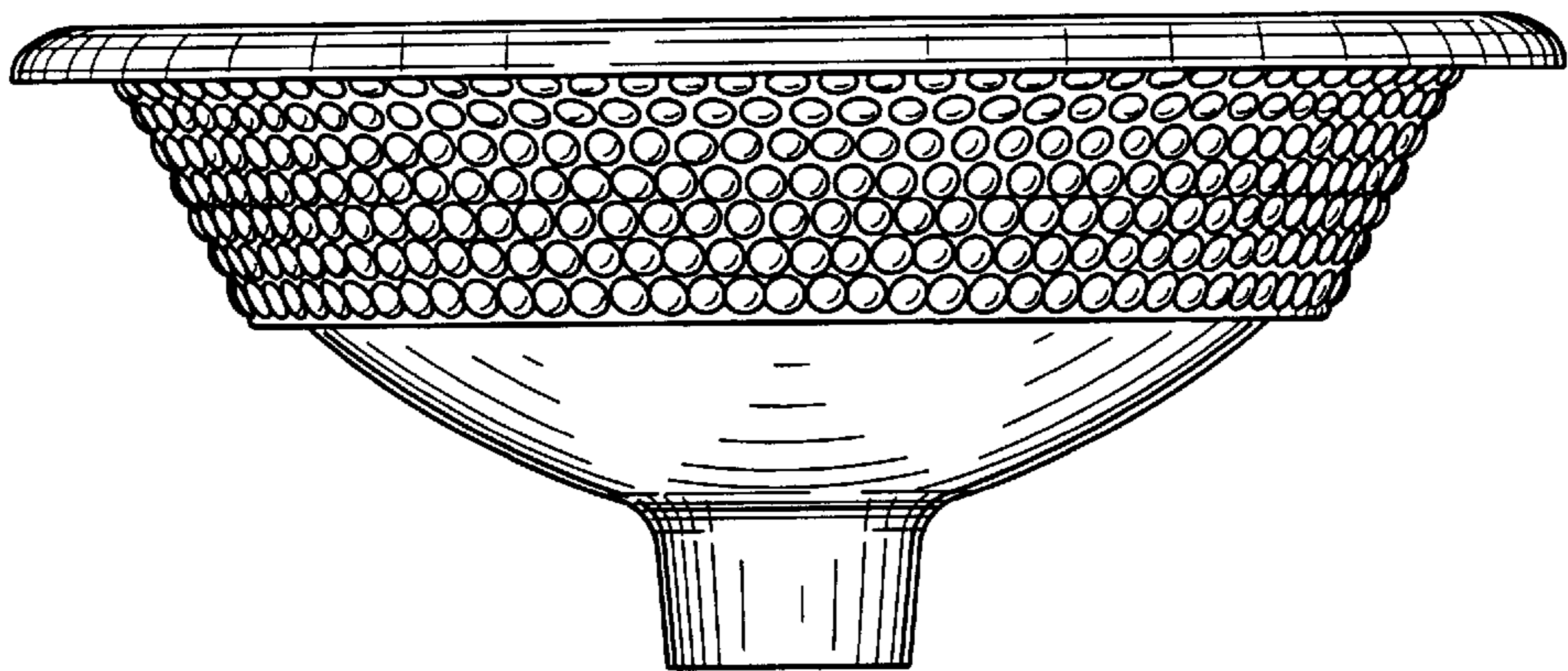


FIG. 4

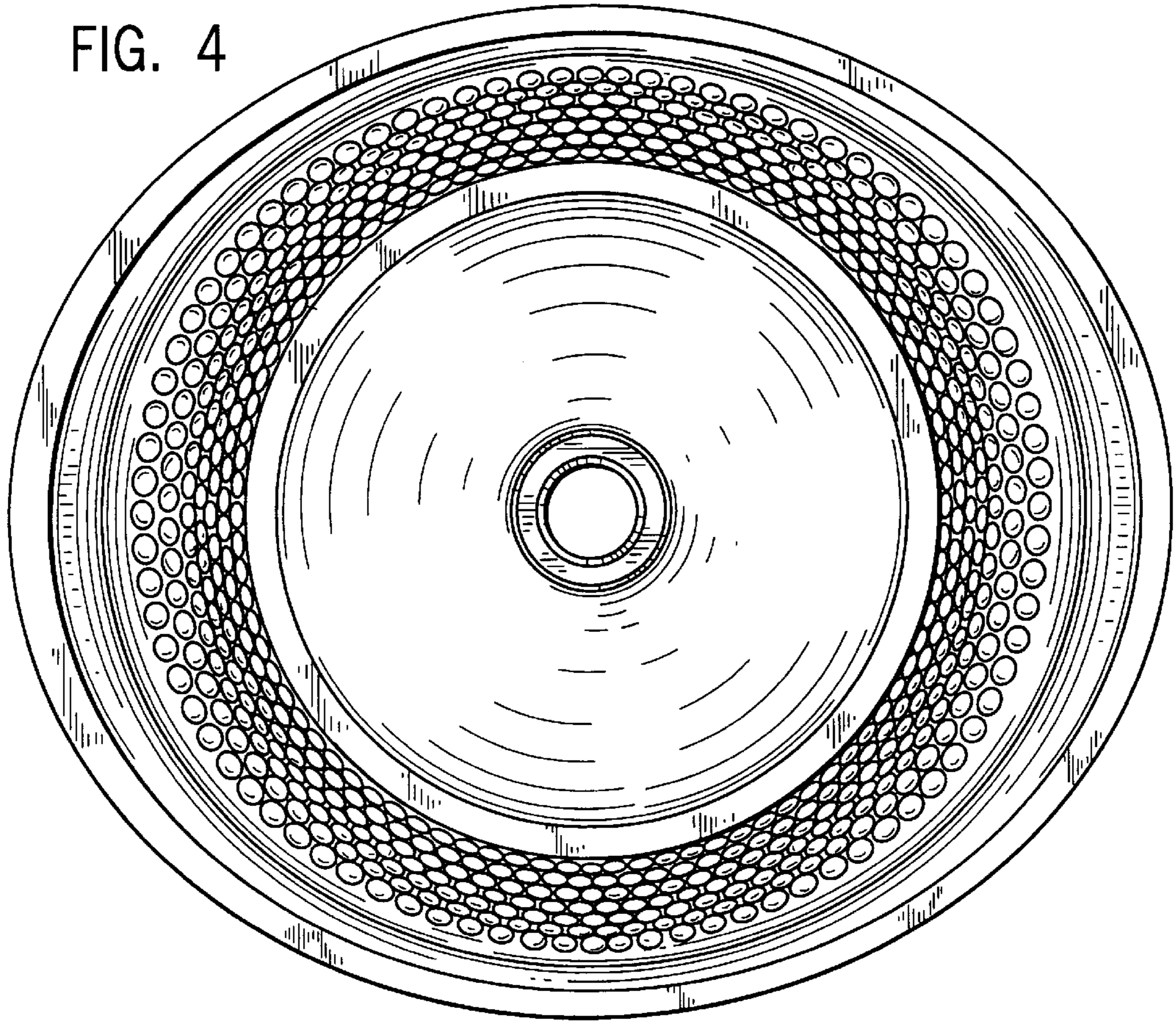


FIG. 5

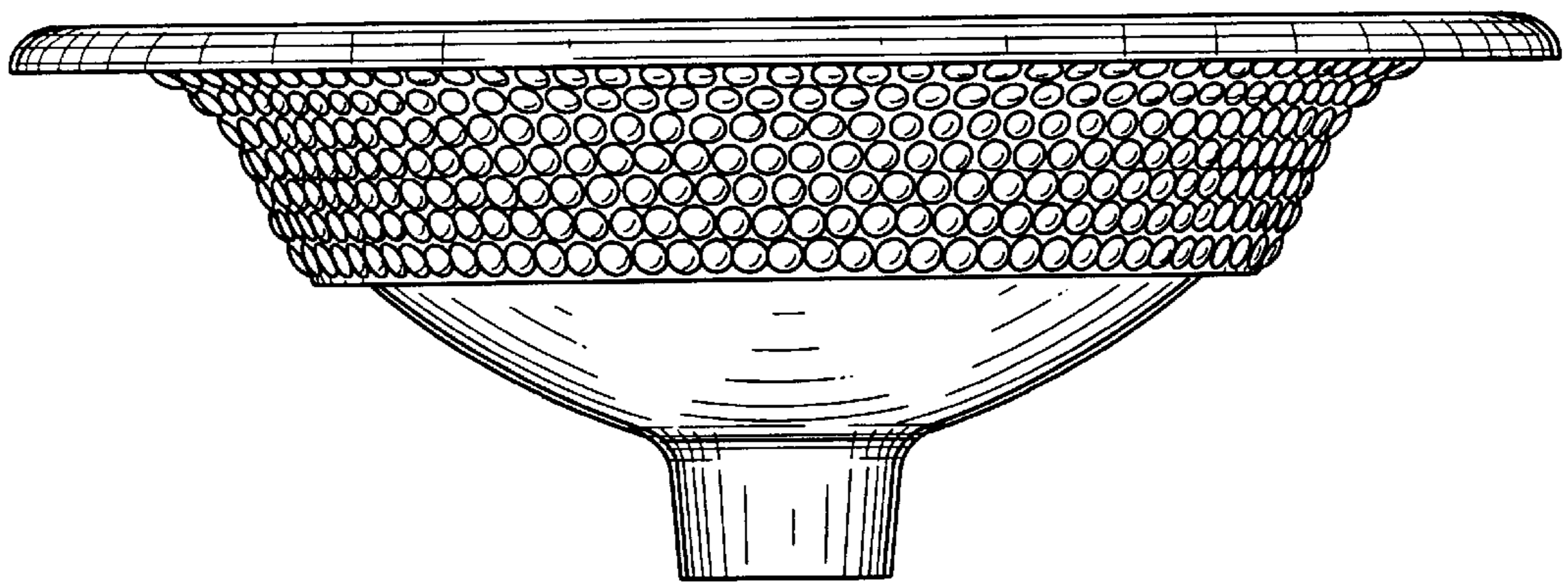


FIG. 7

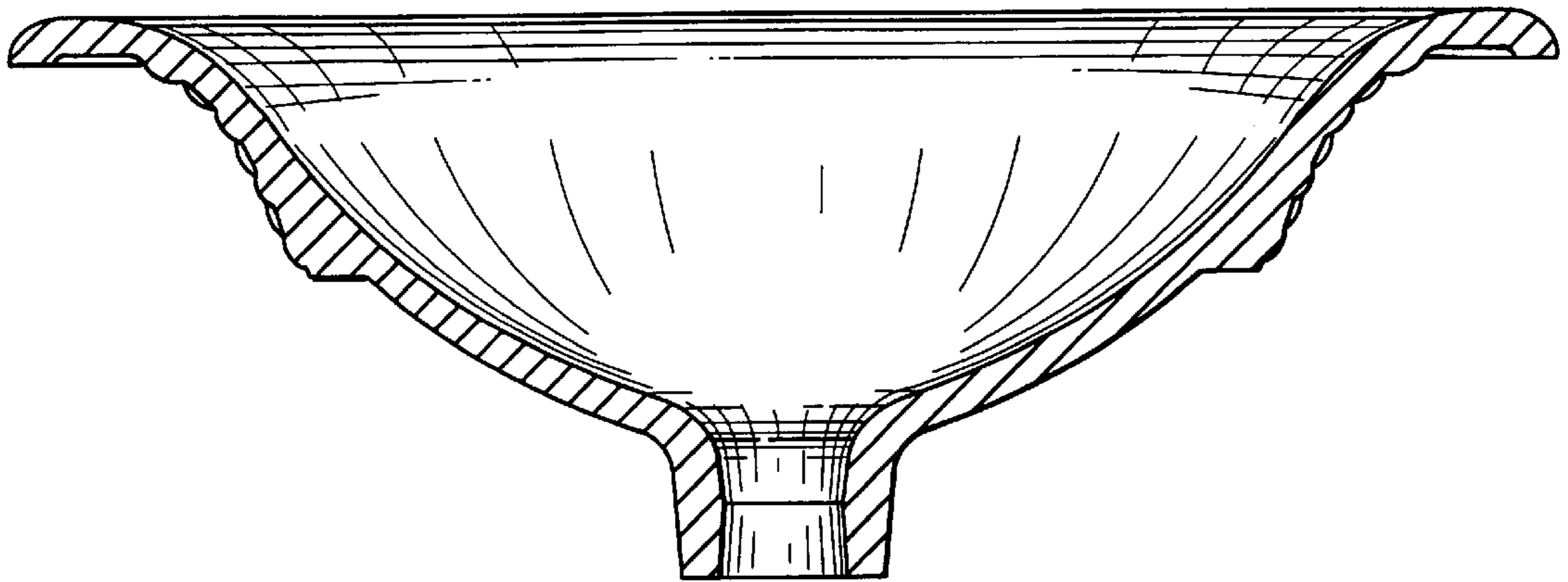


FIG. 8

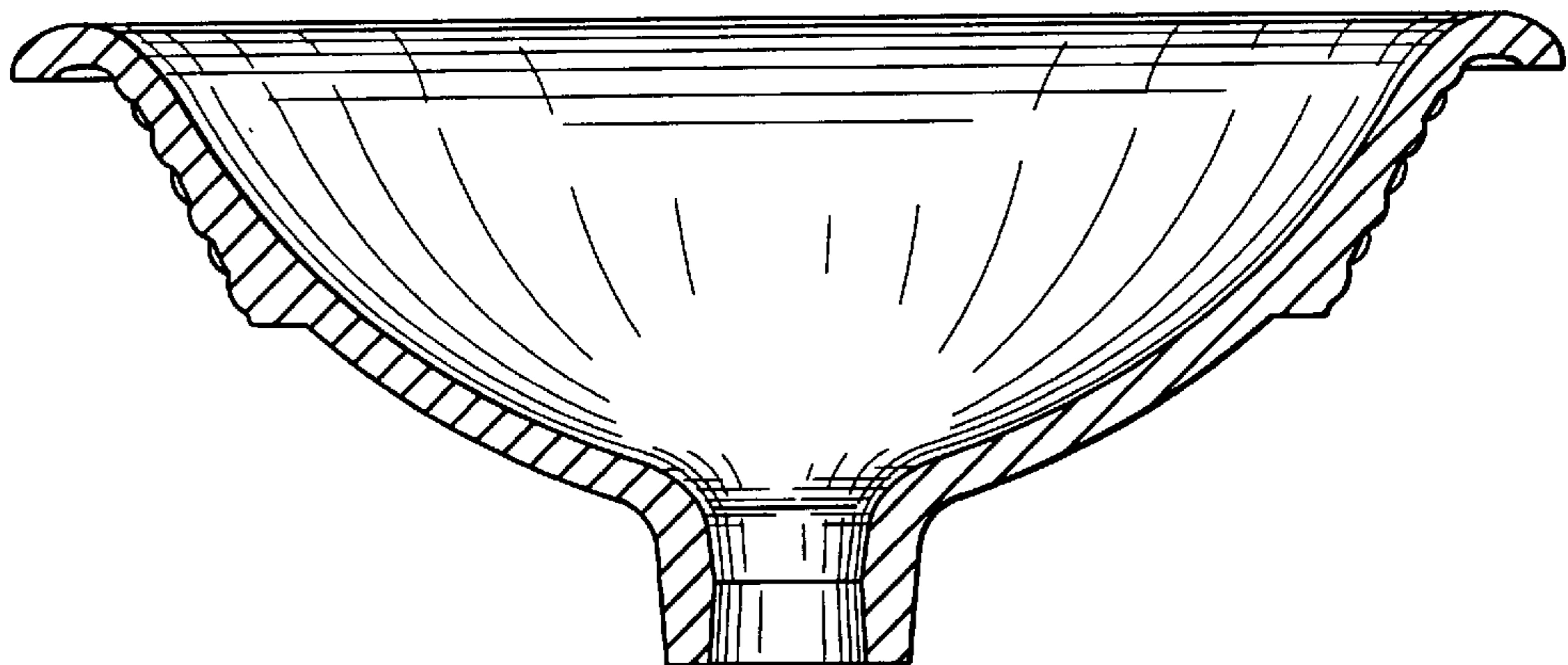


FIG. 9

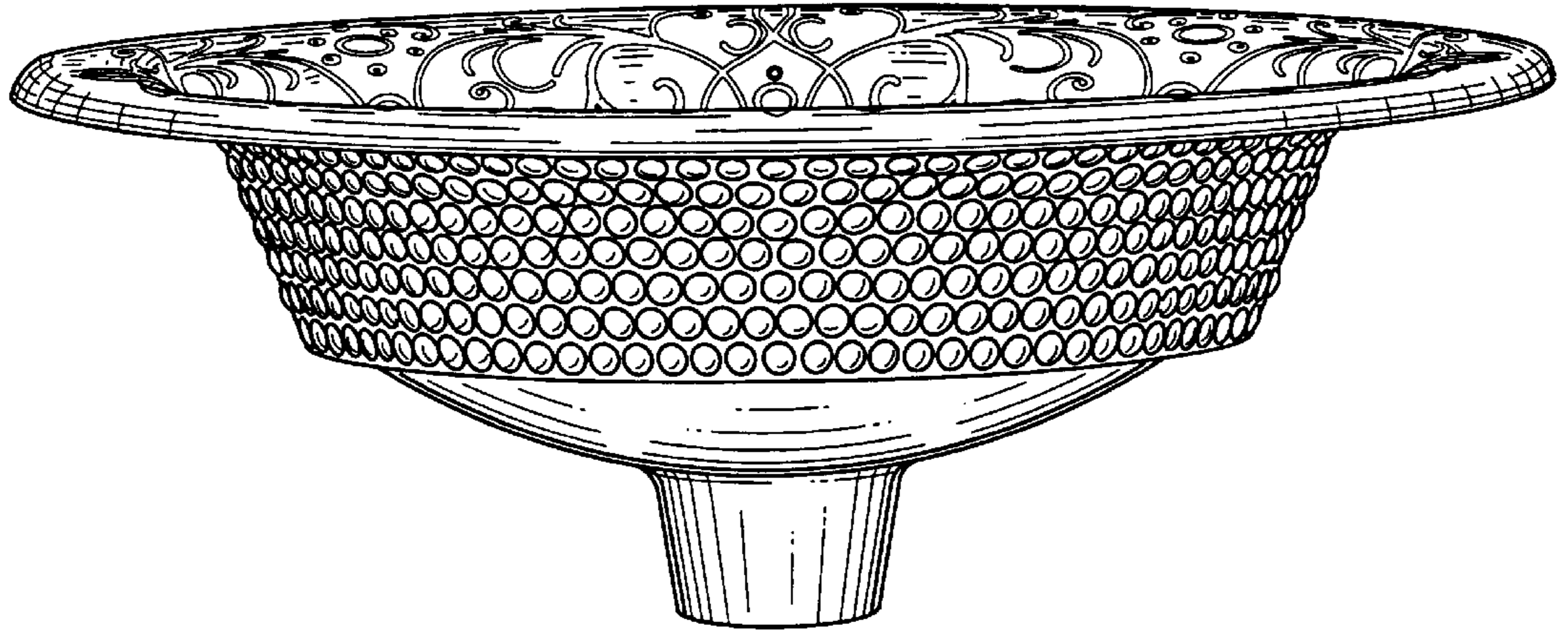


FIG. 10

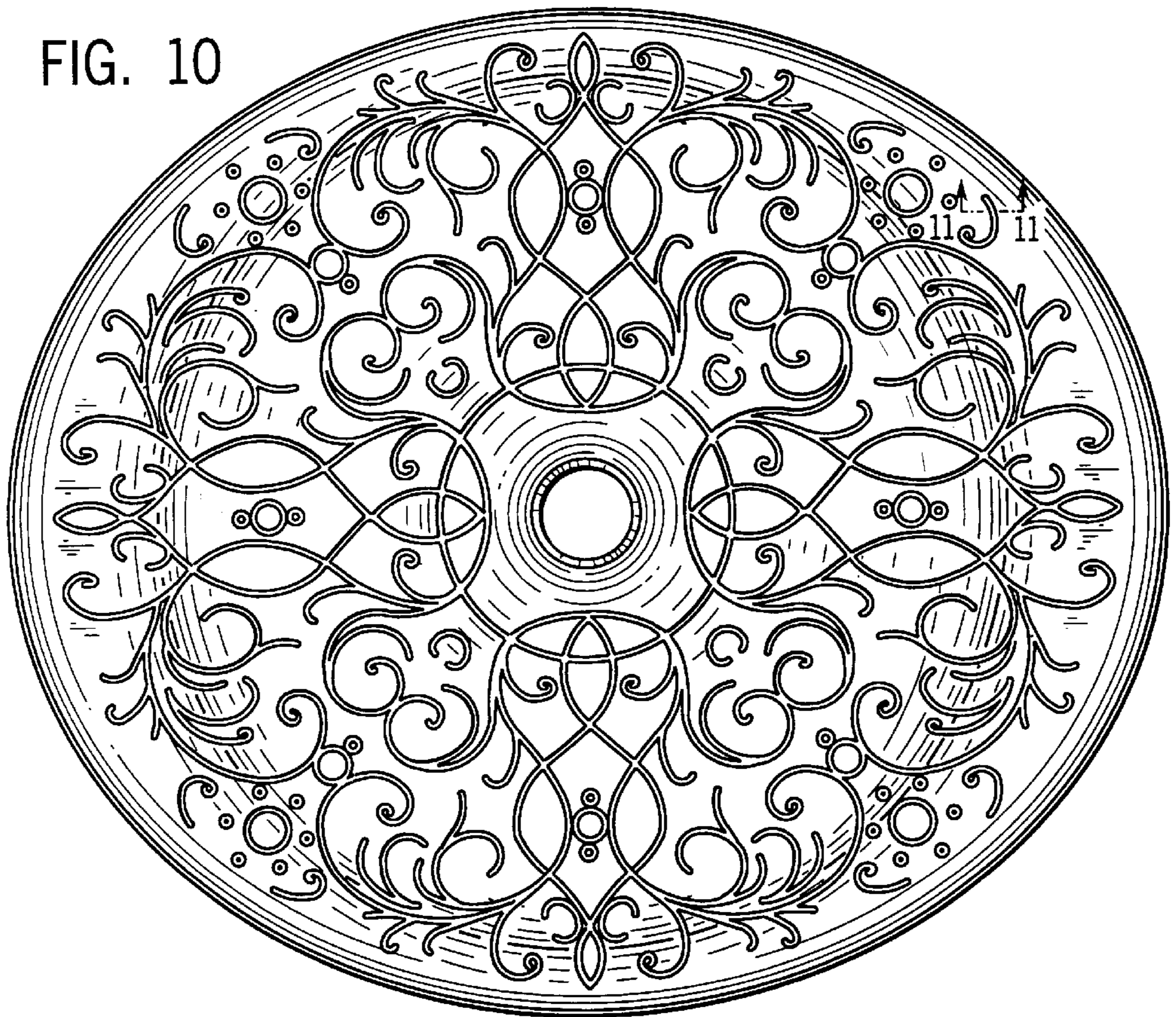


FIG. 11

