



US00D422058S

# United States Patent [19] Meredith

[11] **Patent Number: Des. 422,058**

[45] **Date of Patent: \*\* Mar. 28, 2000**

[54] **VALVE CAP ASSEMBLY**

[76] Inventor: **Brian Meredith**, Leaffield Engineering,  
Leaffield Way, Leaffield, Corsham  
Wiltshire, United Kingdom, SN13 9SS

[\*\*] Term: **14 Years**

[21] Appl. No.: **29/095,878**

[22] Filed: **Nov. 2, 1998**

[30] **Foreign Application Priority Data**

May 1, 1998 [GB] United Kingdom ..... 2074385

[51] **LOC (6) Cl.** ..... **23-01**

[52] **U.S. Cl.** ..... **D23/233**

[58] **Field of Search** ..... D23/233-237,  
D23/245; 4/392, 393; 137/218, 434, 800

[56] **References Cited**

**U.S. PATENT DOCUMENTS**

D. 248,404 7/1978 Henry ..... D23/233

D. 309,938 8/1990 Schoepe et al. .... D23/236

D. 321,749 11/1991 Wesolowsky ..... D23/236

*Primary Examiner*—Robin V. Taylor  
*Attorney, Agent, or Firm*—David H. Jaffer

[57] **CLAIM**

The ornamental design for a valve cap assembly, as shown and described.

**DESCRIPTION**

FIG. 1 shows a top plan view of the valve cap assembly with the cap loosened;

FIG. 2 shows an underside plan view of the valve cap assembly with the cap loosened;

FIG. 3 is a front view thereof;

FIG. 4 is a side view thereof;

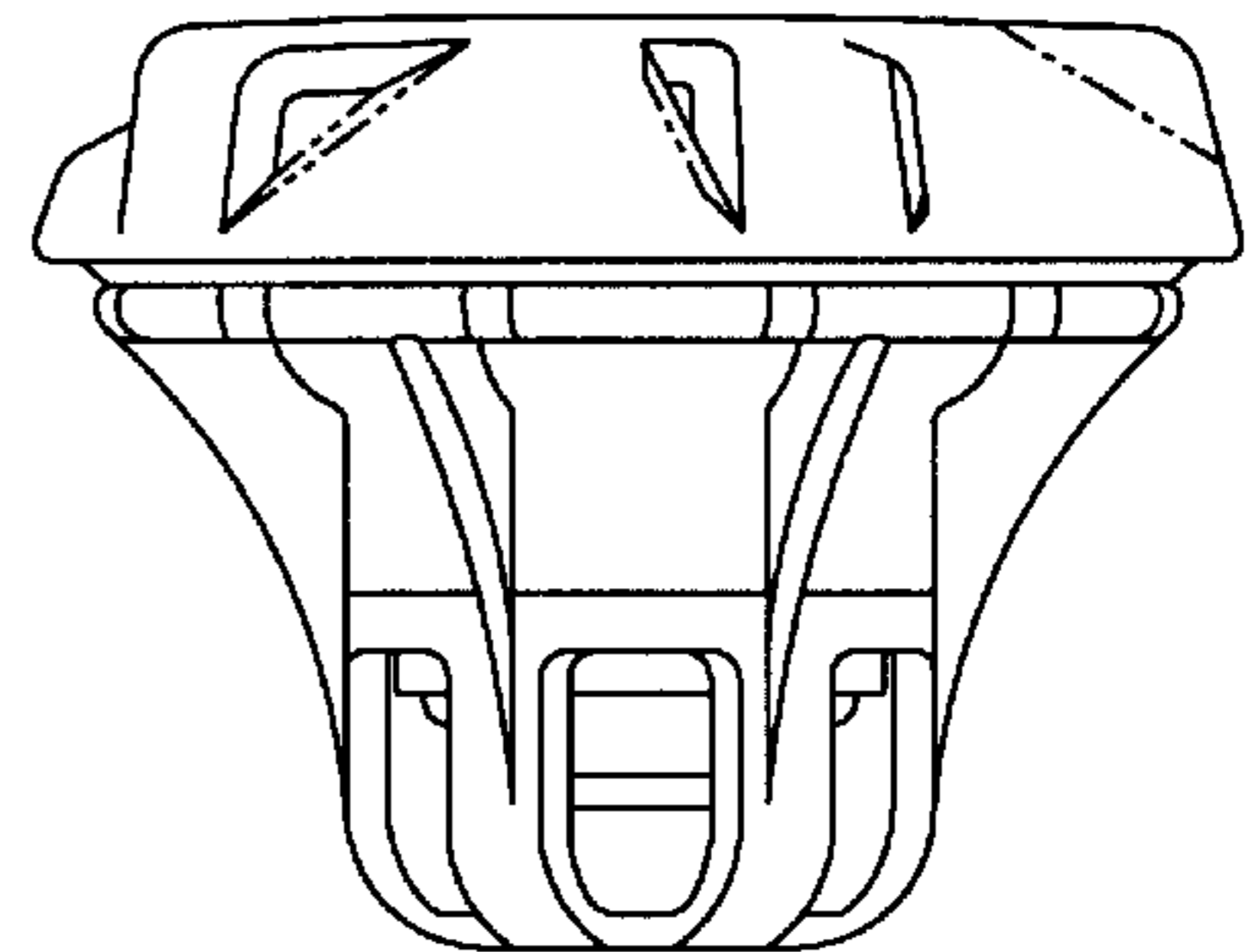
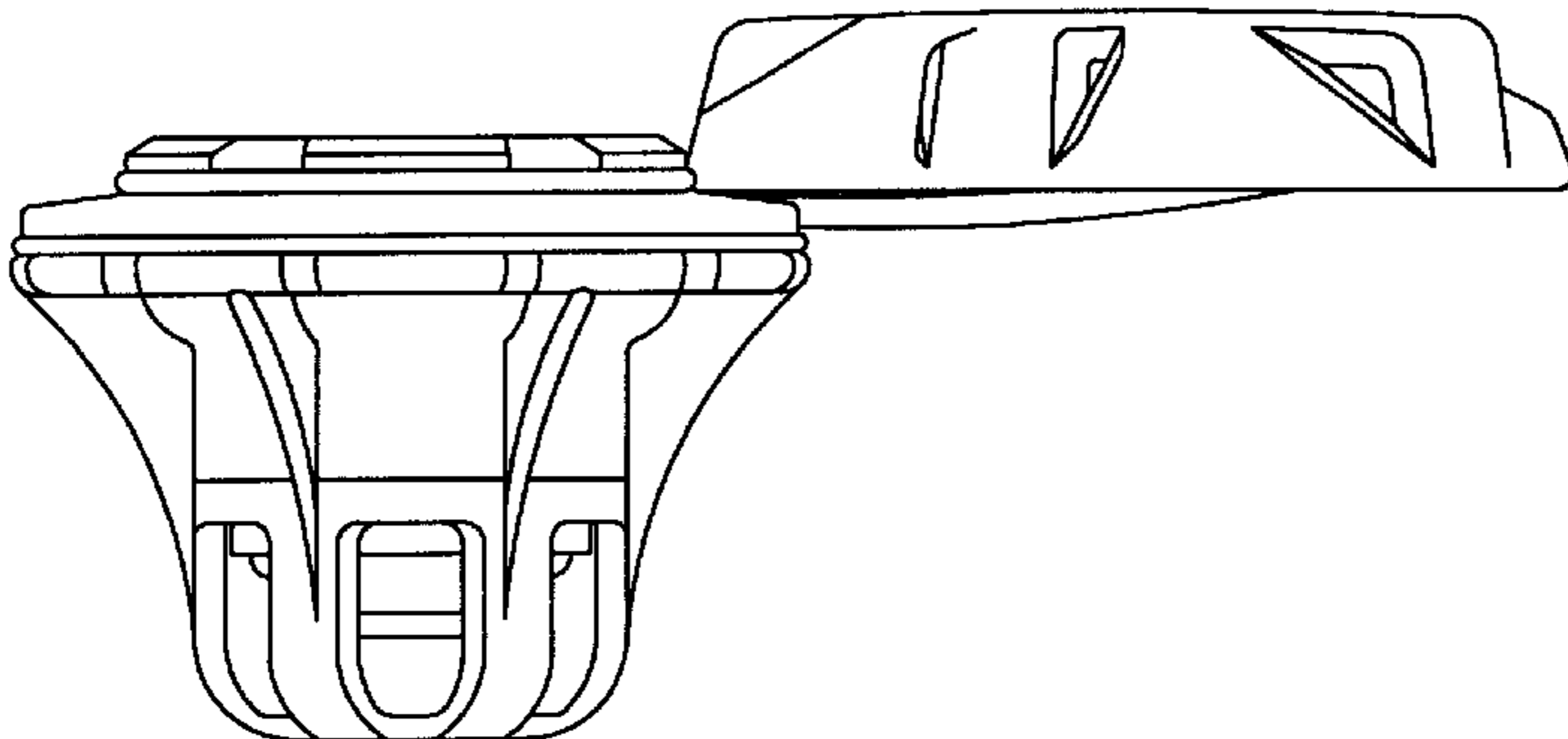
FIG. 5 is a rear view thereof;

FIG. 6 shows a top plan view of the assembly with the cap in place;

FIG. 7 shows a front elevation; and,

FIG. 8 shows an underside plan view of the valve cap assembly with the cap in place.

**1 Claim, 3 Drawing Sheets**



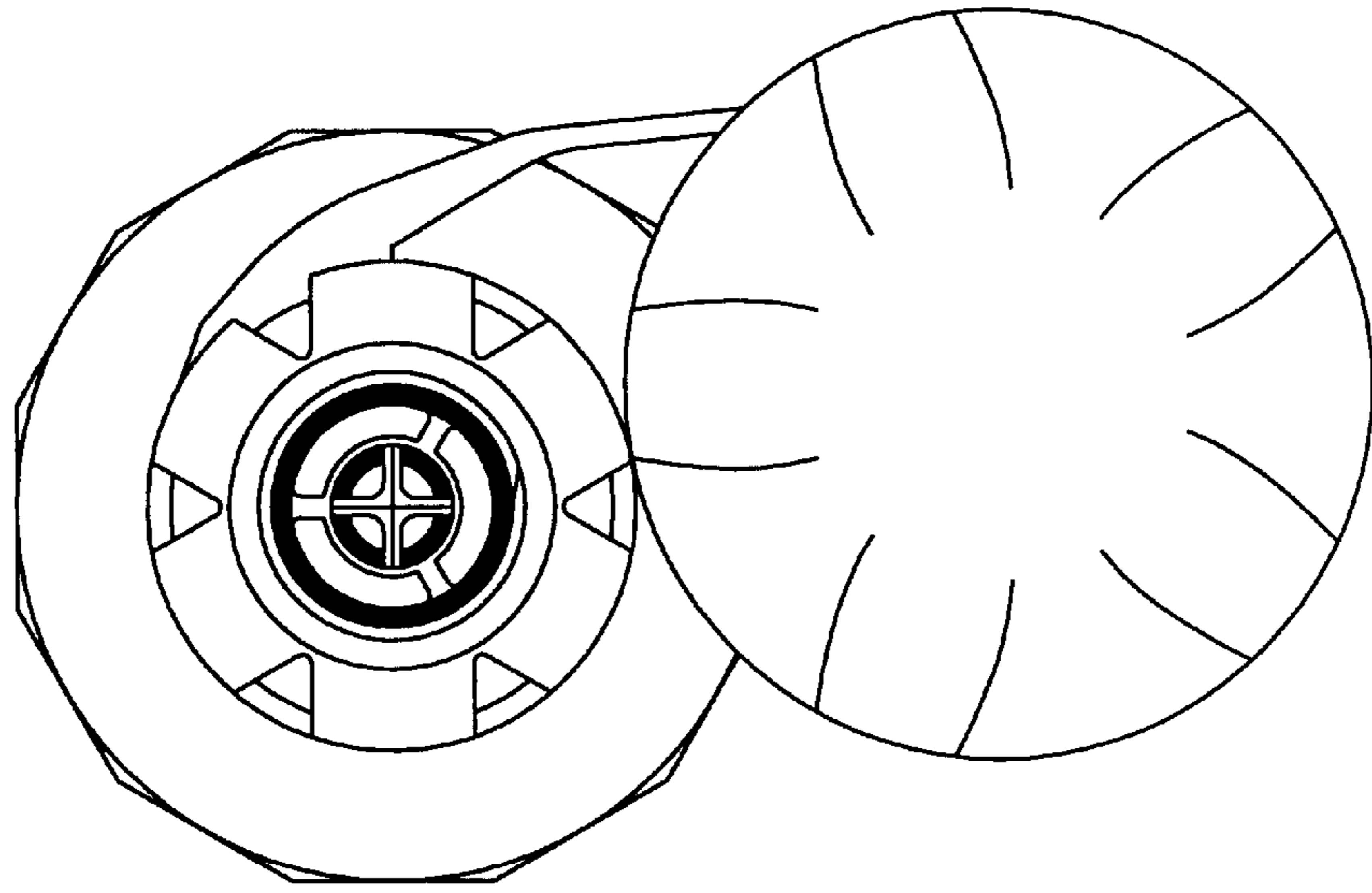


FIG. 1

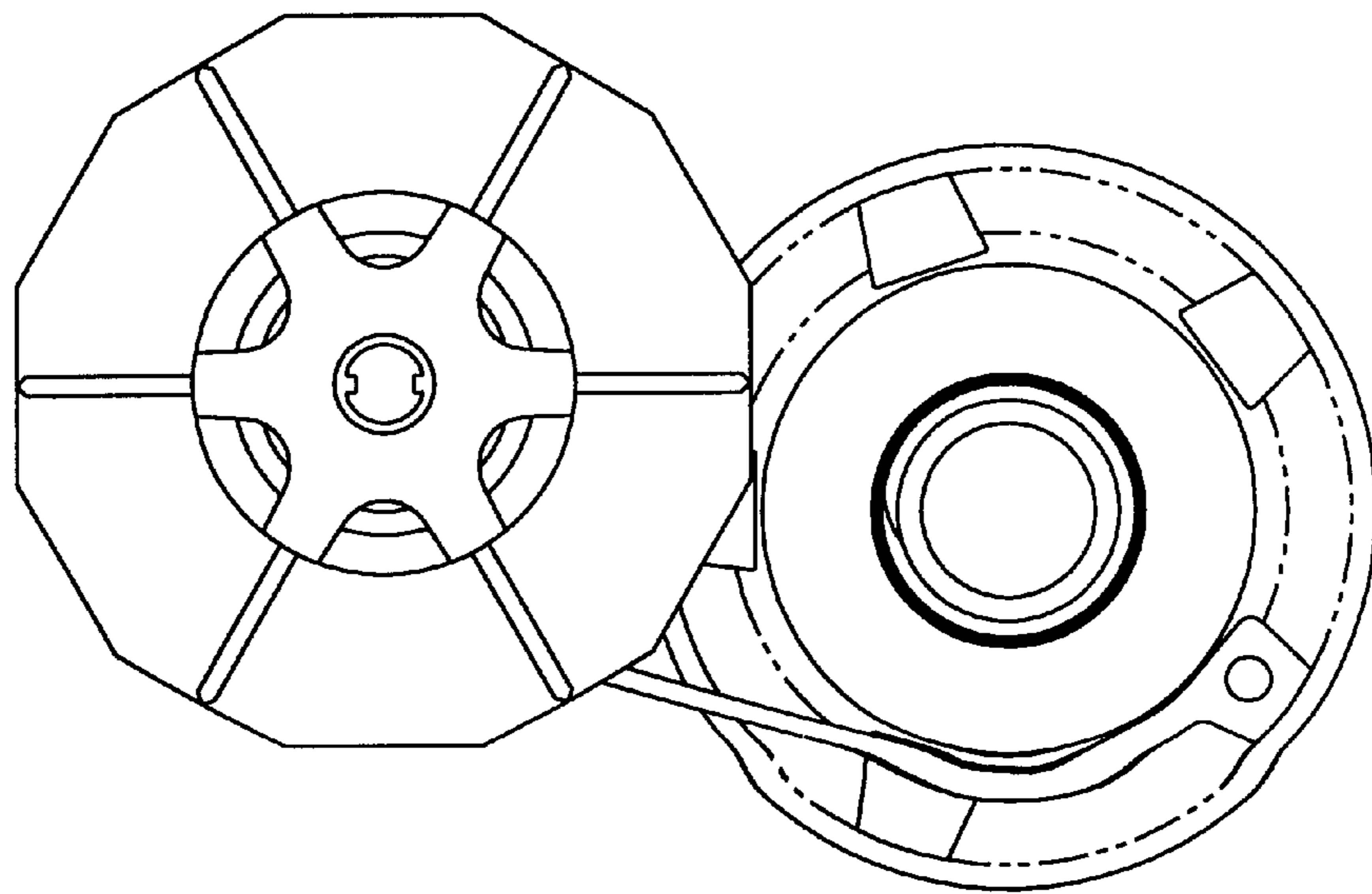


FIG. 2

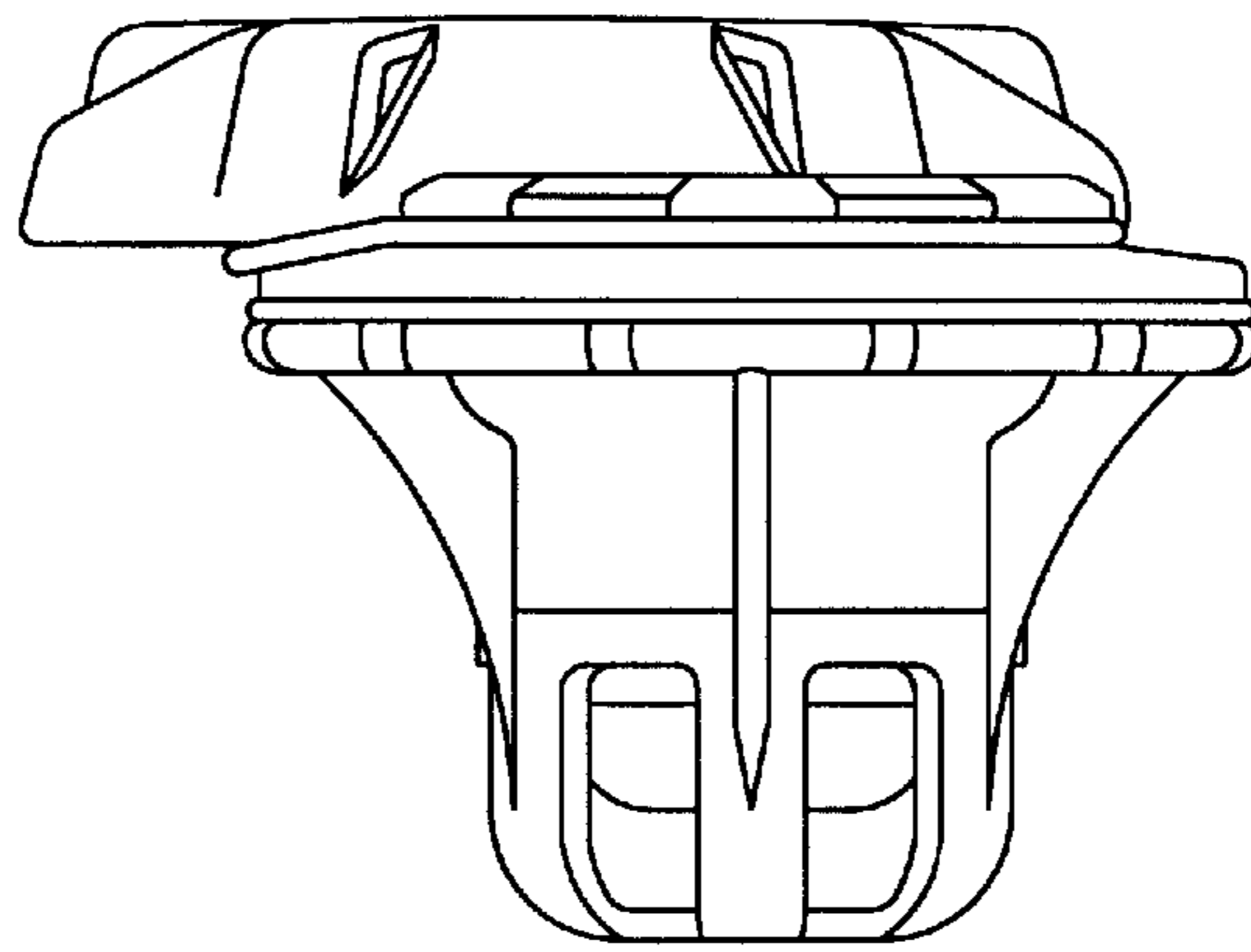


FIG. 3

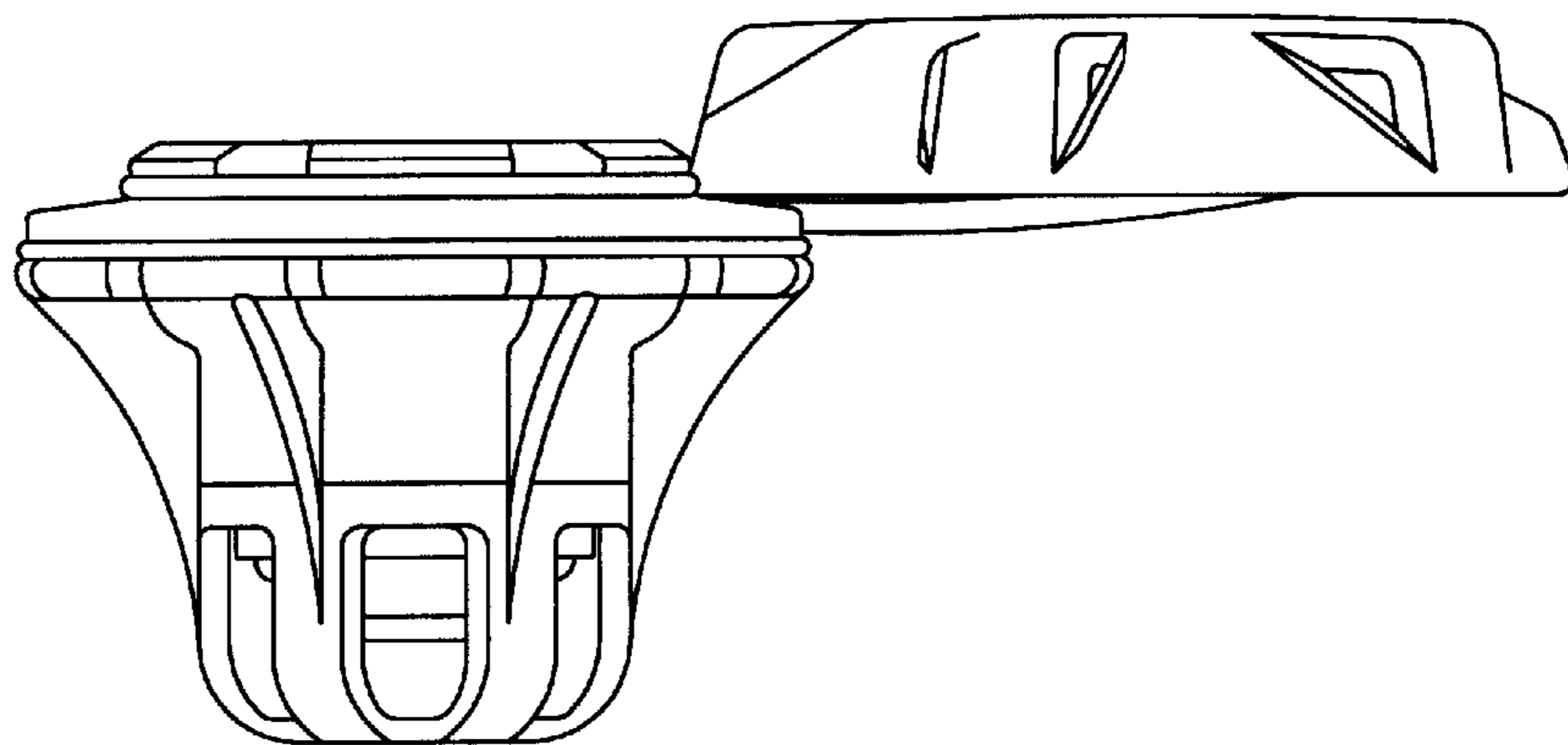


FIG. 4

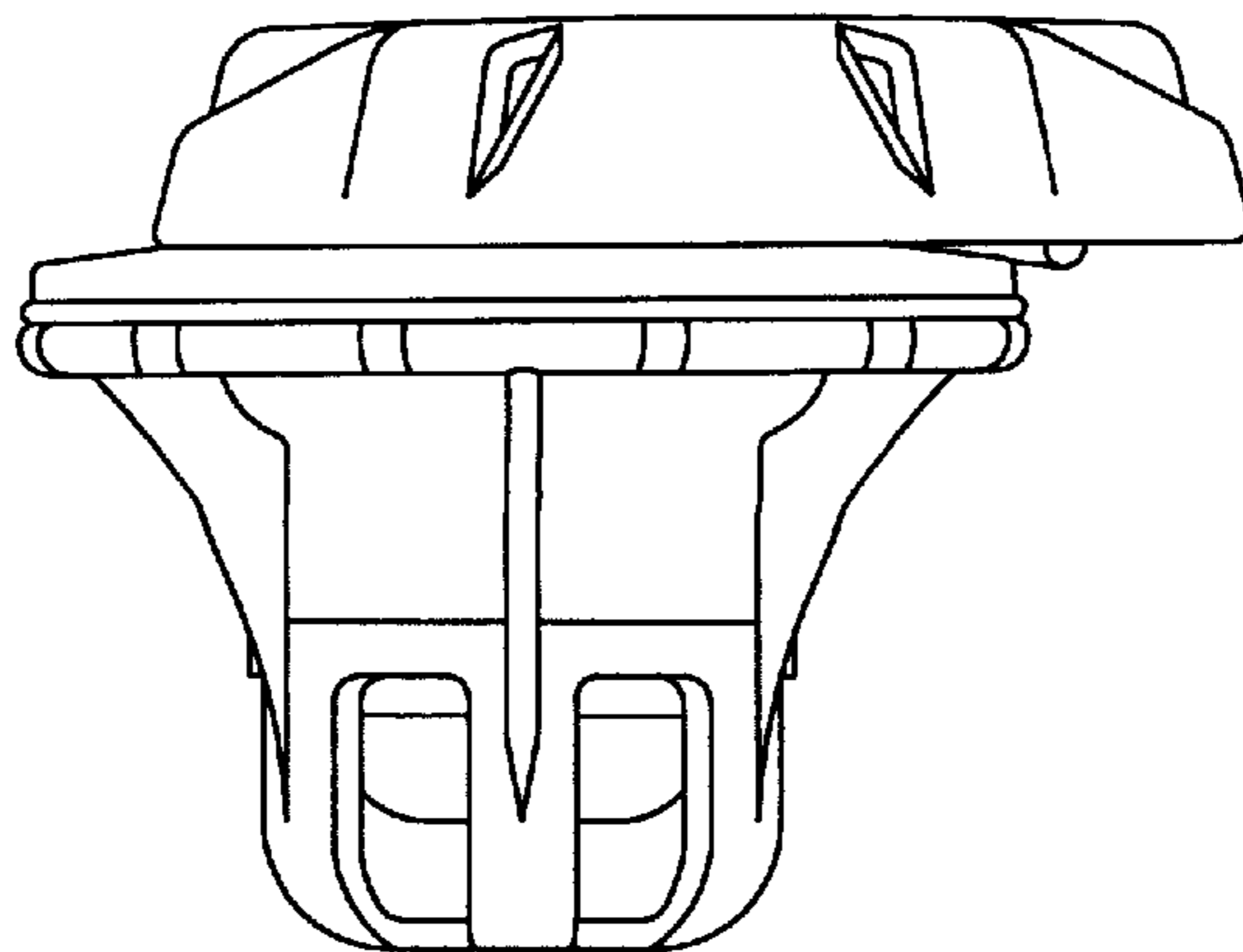


FIG. 5

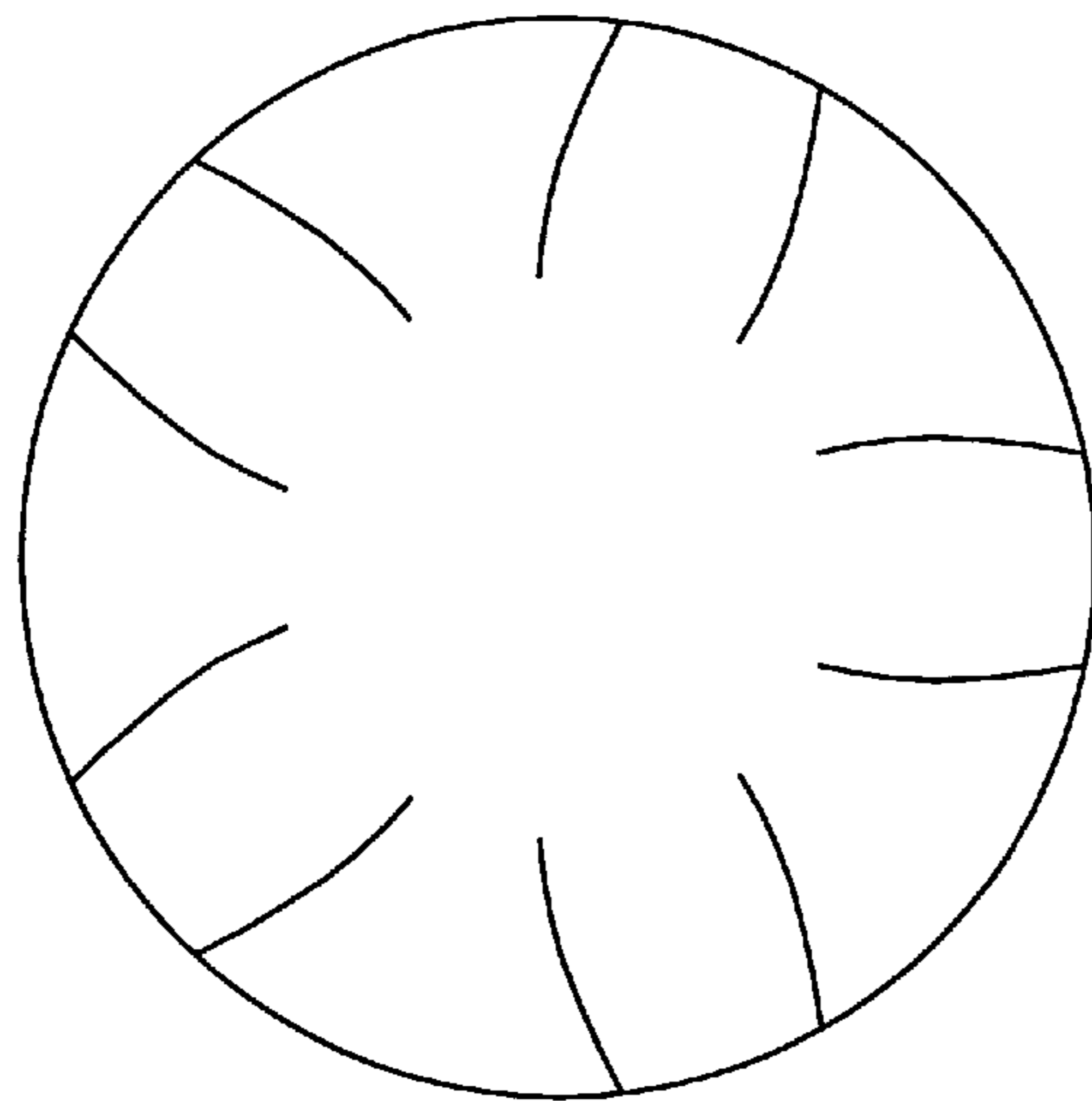


FIG. 6

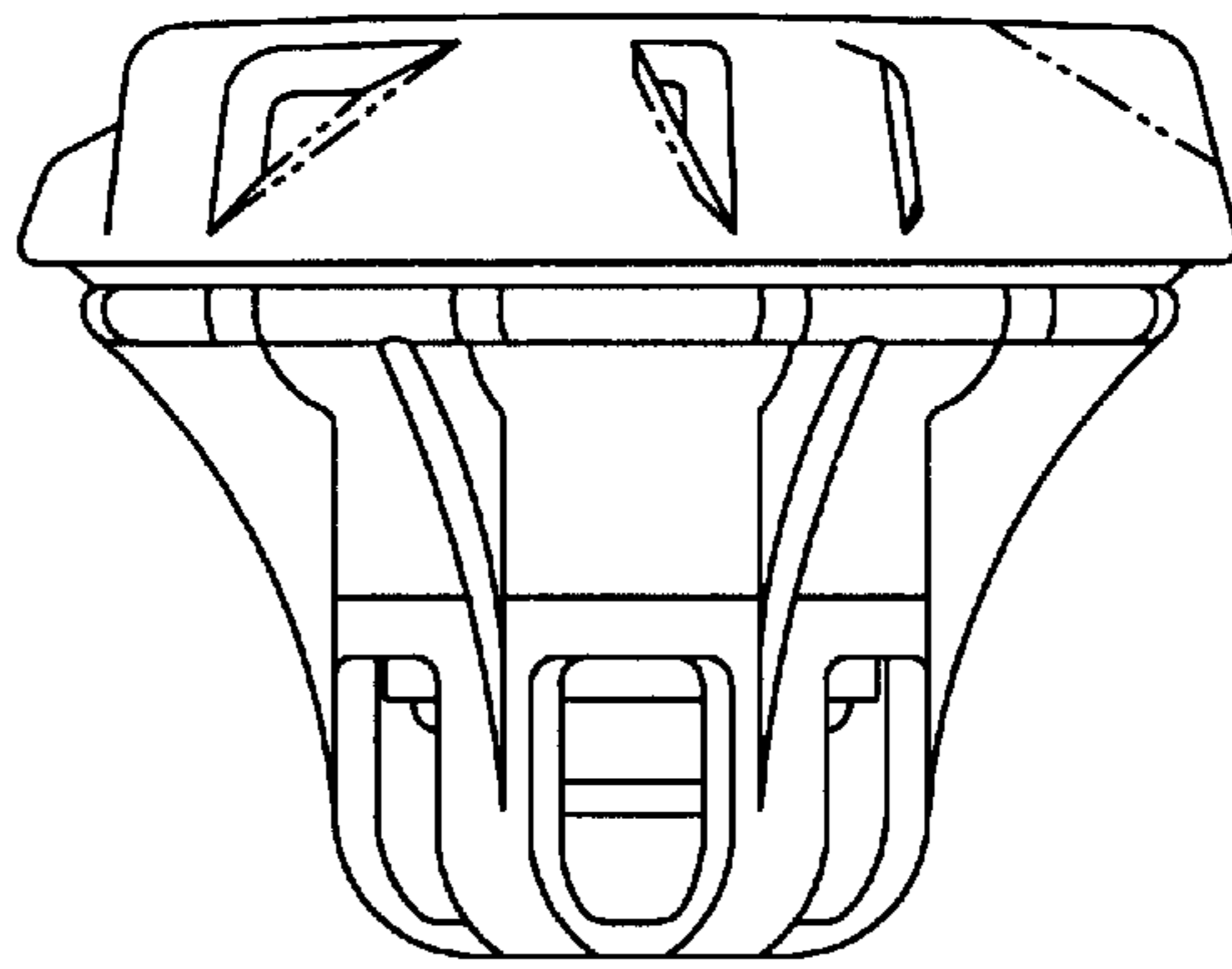


FIG. 7

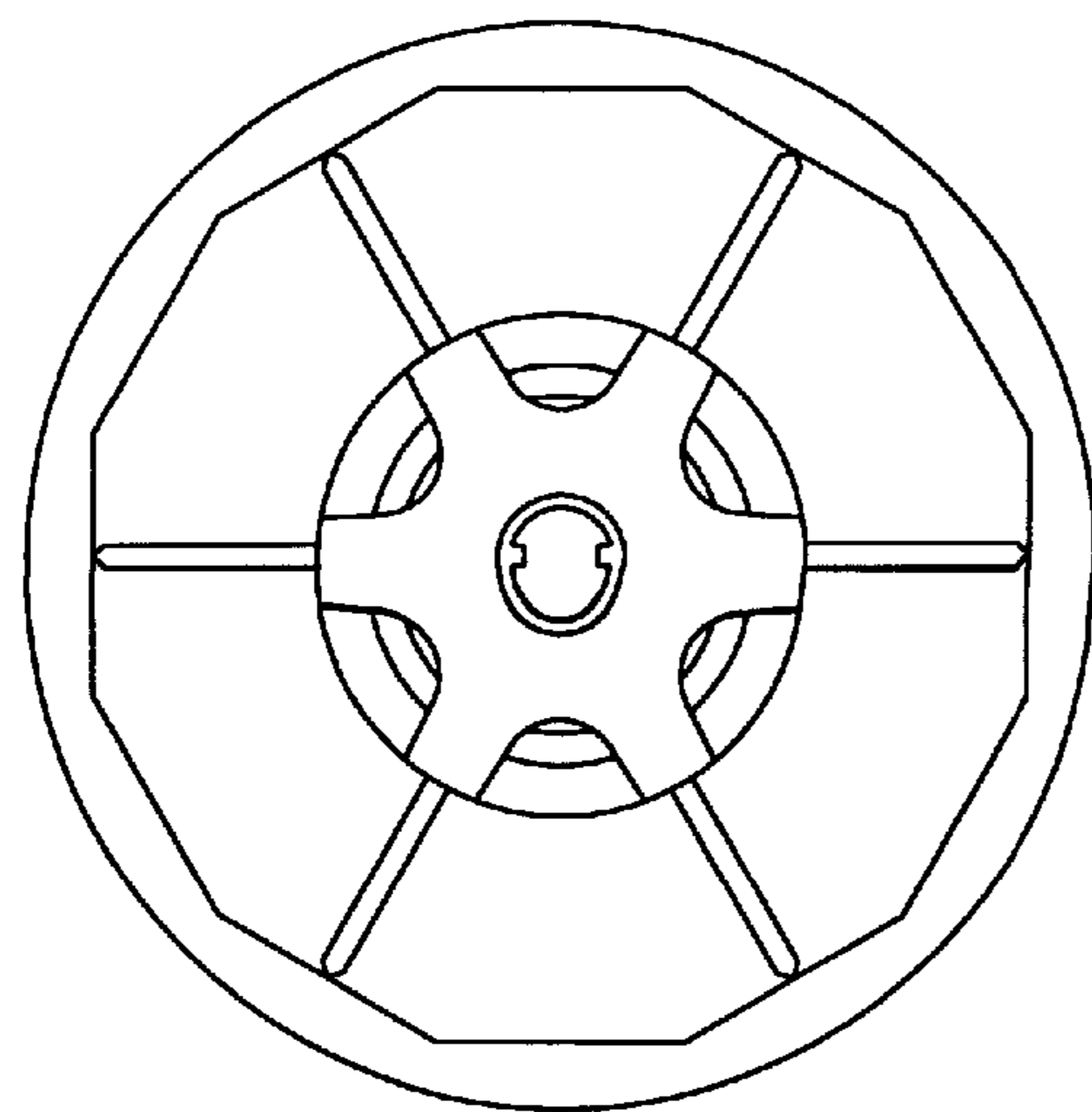


FIG. 8