



US00D422053S

United States Patent [19]

[11] **Patent Number: Des. 422,053**

Brenner et al.

[45] **Date of Patent: ** Mar. 28, 2000**

[54] **HAND-HELD SHOWER HEAD**

[75] Inventors: **Neal E. Brenner**, Greeley; **Robi L. Callaghan**, Fort Collins; **Aaron D. Macan**, Loveland; **Leonard R. Haferman**, Fort Collins; **Mike A. Cammack**, Fort Collins; **Russell J. Mackay**, Fort Collins, all of Colo.; **Robert L. Marvin, Jr.**, Farmington, Conn.

[73] Assignee: **Teledyne Industries, Inc.**, Fort Collins, Colo.

[**] Term: **14 Years**

[21] Appl. No.: **29/097,337**

[22] Filed: **Dec. 2, 1998**

[51] **LOC (6) Cl. 23-01**

[52] **U.S. Cl. D23/223**

[58] **Field of Search D23/213, 223, D23/226; 239/394, 460-2, 525; 4/601, 605**

[56] **References Cited**

U.S. PATENT DOCUMENTS

- D. 126,433 4/1941 Enthof .
- 204,333 5/1878 Josias .
- D. 251,045 2/1979 Grube .

(List continued on next page.)

OTHER PUBLICATIONS

Color Copy, Labeled 1A, Gèmlo, available at least as early as the filing date.

Color Copy, Labeled 1B, Gèmlo, available at least as early as the filing date.

Primary Examiner—Robin V. Taylor
Attorney, Agent, or Firm—Holland & Hart LLP

[57] **CLAIM**

The ornamental design for a hand-held shower head, as shown and described.

DESCRIPTION

FIG. 1 is a front perspective view of a hand-held shower head showing our new design in full lines with the broken lines showing environmental association matter being for illustrative purposes only and forming no part of the claimed design;

FIG. 2 is a right side elevational view thereof, with the left side elevational view being a mirror image thereof;

FIG. 3 is a front elevational view thereof;

FIG. 4 is a back elevational view thereof.

FIG. 5 is a top plan view thereof;

FIG. 6 is a bottom plan view thereof;

FIG. 7 is a front perspective view of an alternative embodiment of the hand-held shower head showing our new design in full lines with the broken lines showing environmental association matter being for illustrative purposes only and forming no part of the claimed design;

FIG. 8 is a right side elevational view thereof, with the left side elevational view being a mirror image thereof;

FIG. 9 is a front perspective view of another alternative embodiment of the hand-held shower head showing our new design in full lines with the broken lines showing environmental association matter being for illustrative purposes only and forming no part of the claimed design;

FIG. 10 is a left side elevational view thereof, with the right side elevational view being a mirror image thereof;

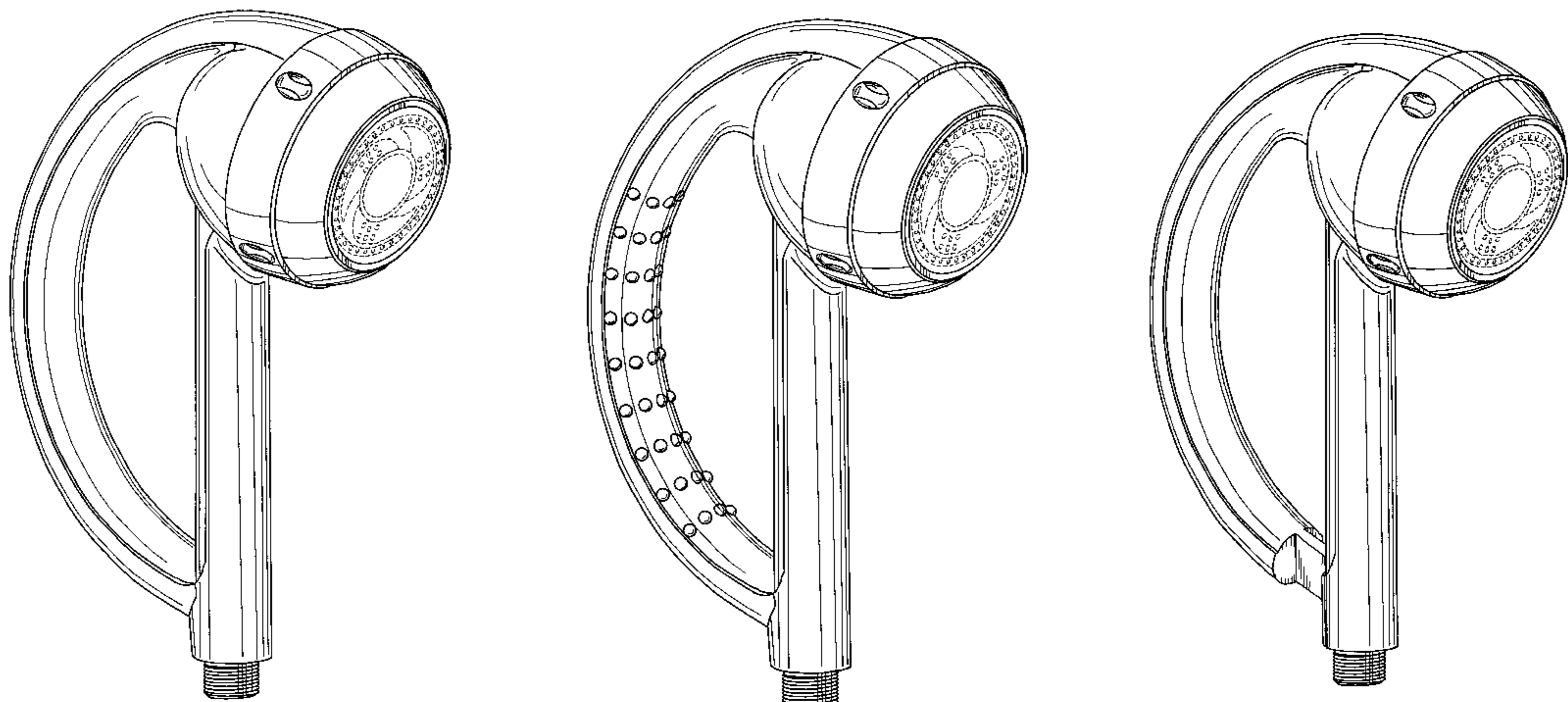
FIG. 11 is a front perspective view of another alternative embodiment of the hand-held shower head showing our new design in full lines with the broken lines showing environmental association matter being for illustrative purposes only and forming no part of the claimed design;

FIG. 12 is a left side elevational view thereof, with the right side elevational view being a mirror image thereof;

FIG. 13 is a front perspective view of another alternative embodiment of the hand-held shower head showing our new design in full lines with the broken lines showing environmental association matter being for illustrative purposes only and forming no part of the claimed design;

FIG. 14 is a right side elevational view thereof, with the left side elevational view being a mirror image thereof; and, FIG. 15 a bottom plan view thereof.

1 Claim, 14 Drawing Sheets



U.S. PATENT DOCUMENTS

D. 255,626	7/1980	Grube .	D. 374,271	10/1996	Fleischmann .
D. 258,677	3/1981	Larsson .	D. 381,737	7/1997	Chan D23/223
D. 261,300	10/1981	Klose .	D. 382,936	8/1997	Shfaram .
D. 266,212	9/1982	Haug .	D. 385,332	10/1997	Andrus .
D. 267,582	1/1983	Mackay et al. .	D. 385,333	10/1997	Caroen et al. .
D. 268,611	4/1983	Klose .	D. 385,947	11/1997	Dow et al. D23/223
D. 274,457	6/1984	Haug .	D. 387,230	12/1997	von Beulow et al. .
D. 295,437	4/1988	Fabian .	D. 389,558	1/1998	Andrus .
D. 296,582	7/1988	Haug et al. .	566,384	8/1896	Engelhart .
D. 317,348	6/1991	Geneve et al. .	1,203,466	10/1916	Benson .
D. 322,119	12/1991	Haug et al. .	1,459,582	6/1923	Dubee .
D. 327,729	7/1992	Rogers D23/223	2,216,149	10/1940	Weiss .
D. 330,409	10/1992	Raffo .	3,404,410	10/1968	Sumida .
D. 332,303	1/1993	Klose .	3,826,454	7/1974	Zieger .
D. 333,339	2/1993	Klose .	3,865,310	2/1975	Elkins et al. .
D. 334,794	4/1993	Klose .	3,979,096	9/1976	Zieger .
D. 339,492	9/1993	Klose .	4,091,998	5/1978	Peterson .
D. 339,627	9/1993	Klose .	4,174,822	11/1979	Larsson .
D. 339,848	9/1993	Gottwald .	4,719,654	1/1988	Blessing .
D. 340,376	10/1993	Klose .	4,787,591	11/1988	Villacorta .
D. 341,007	11/1993	Haug et al. .	4,914,759	4/1990	Goff .
D. 341,191	11/1993	Klose .	4,964,573	10/1990	Lipski .
D. 347,265	5/1994	Gottwald .	5,265,833	11/1993	Heimann et al. .
D. 349,947	8/1994	Hing-Wah D23/223	5,277,391	1/1994	Haug et al. .
D. 355,703	2/1995	Duell .	5,297,735	3/1994	Heimann et al. .
D. 361,623	8/1995	Huen .	5,340,064	8/1994	Heimann et al. .
D. 367,315	2/1996	Andrus .	5,481,765	1/1996	Wang .
D. 369,204	4/1996	Andrus .	5,632,049	5/1997	Chen .
D. 369,205	4/1996	Andrus .	5,704,080	1/1998	Kühne .
			5,749,552	5/1998	Fan .

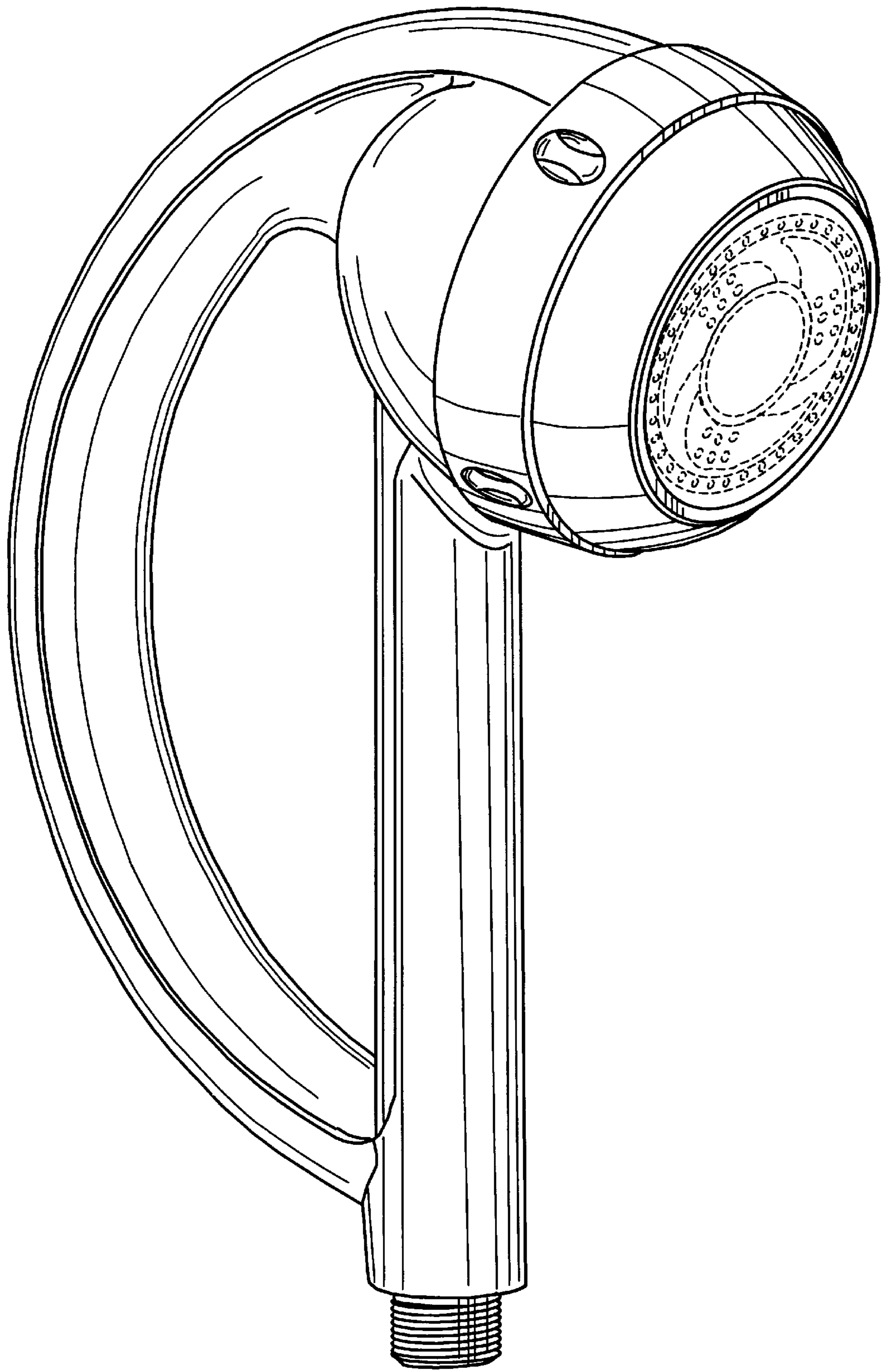


Fig. 1

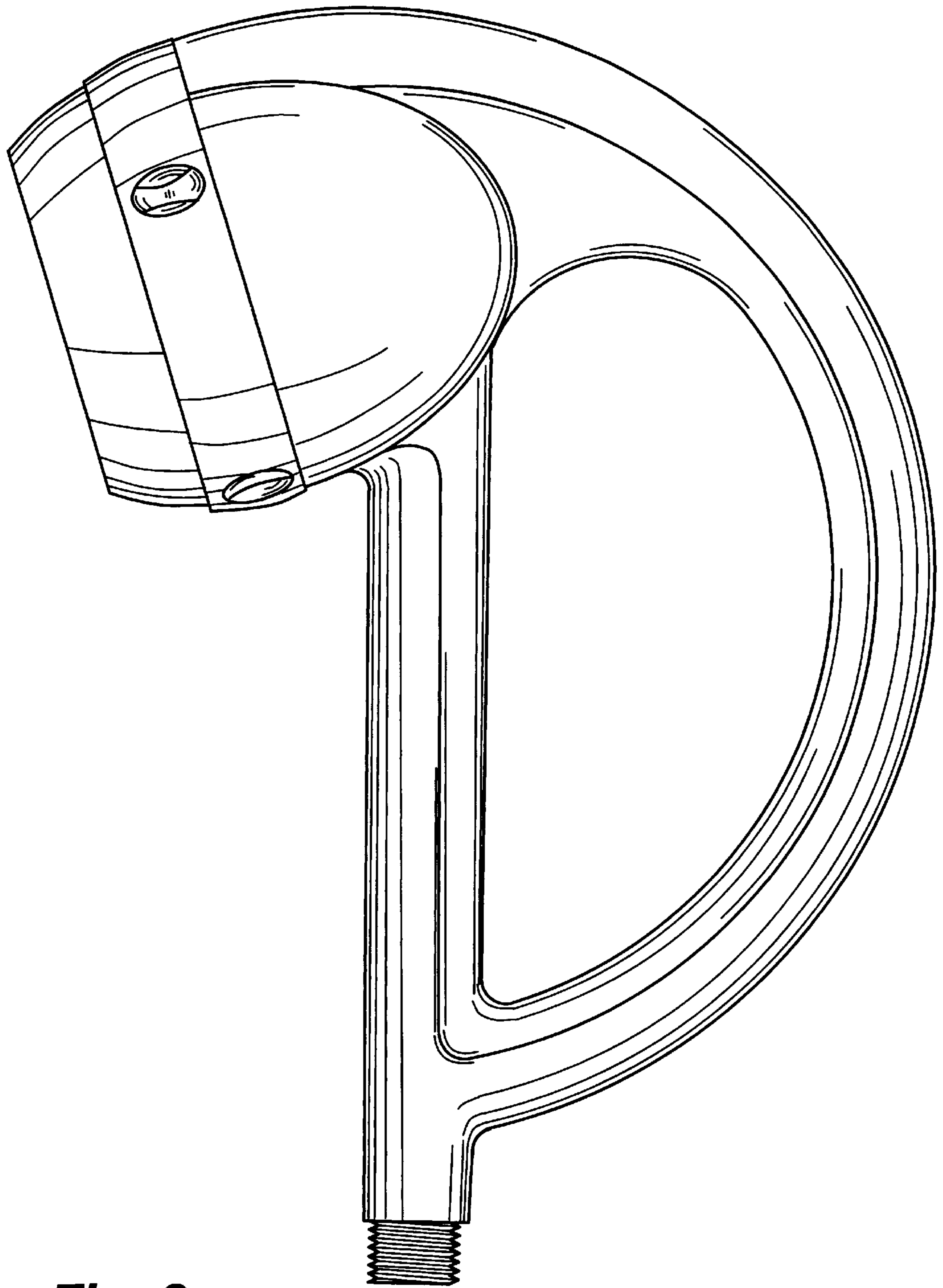


Fig. 2

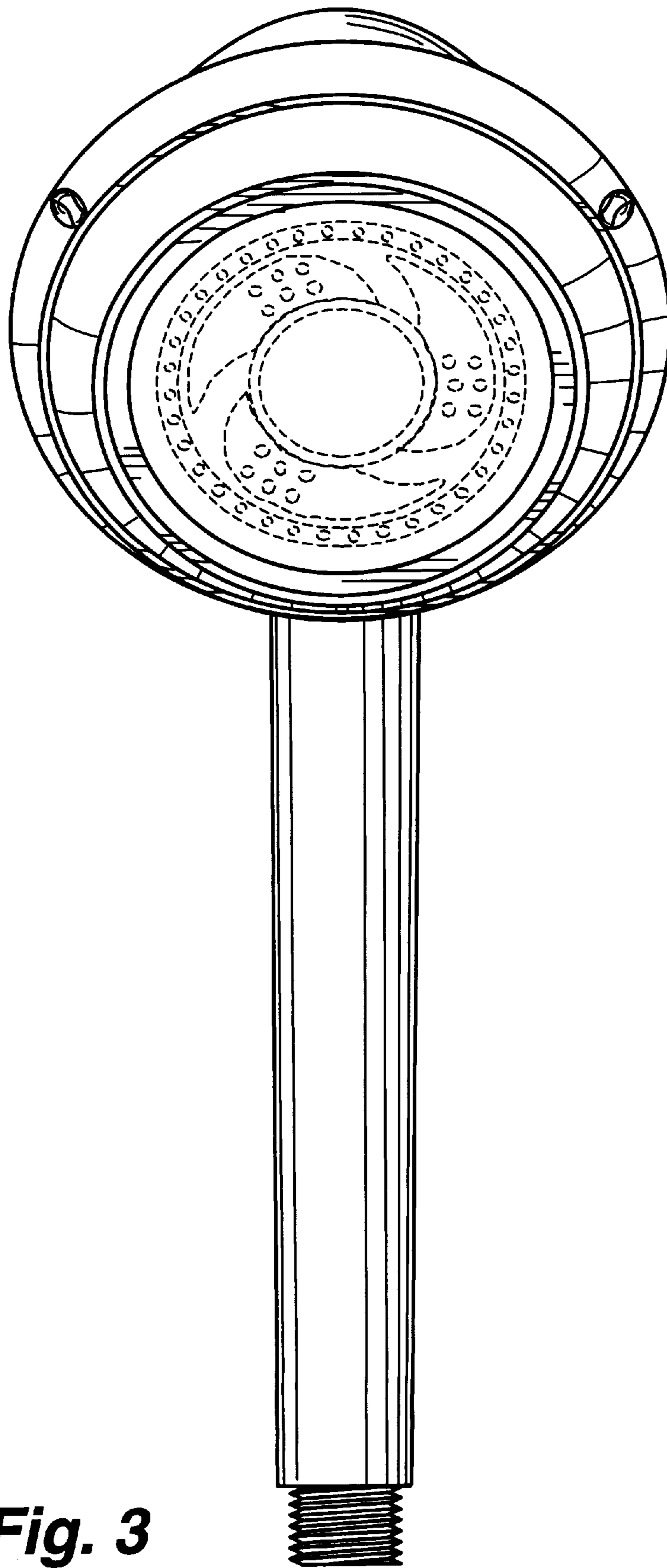


Fig. 3

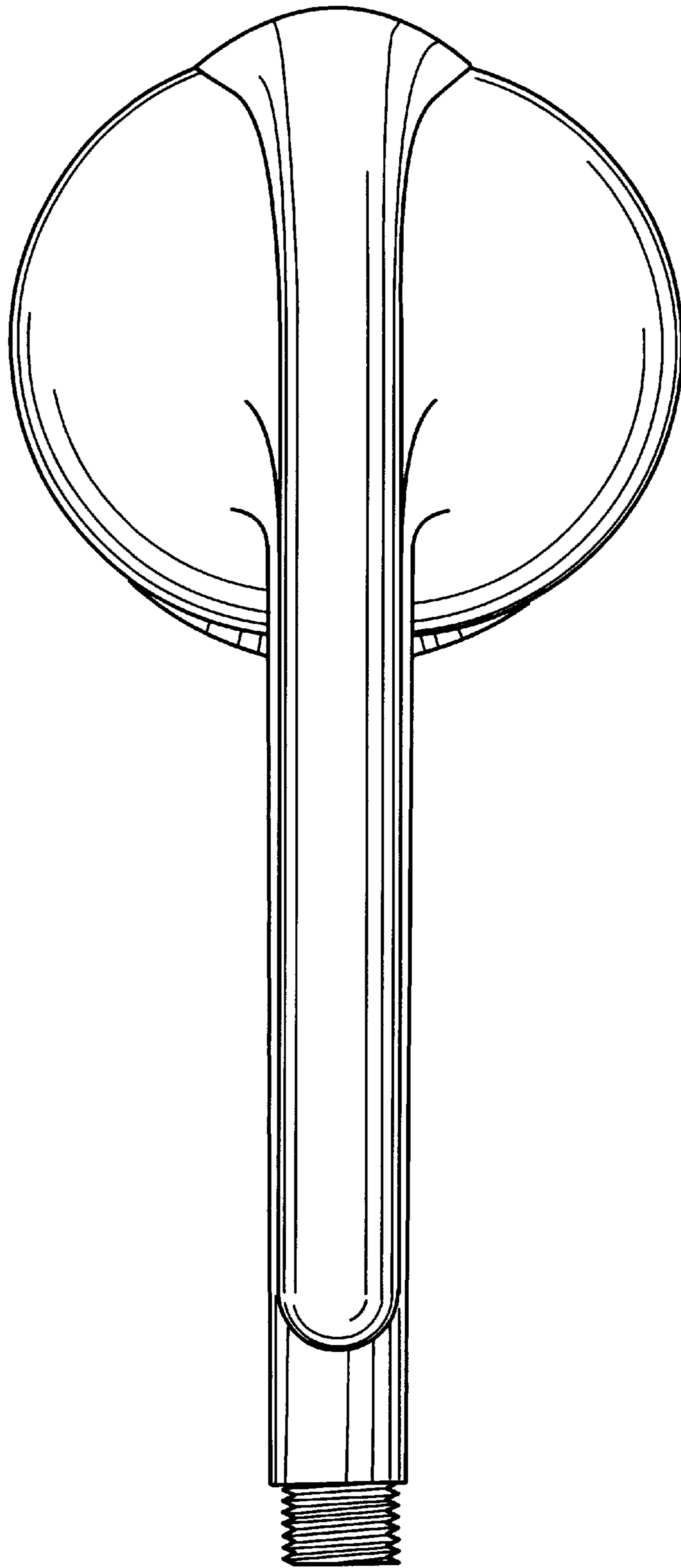


Fig. 4

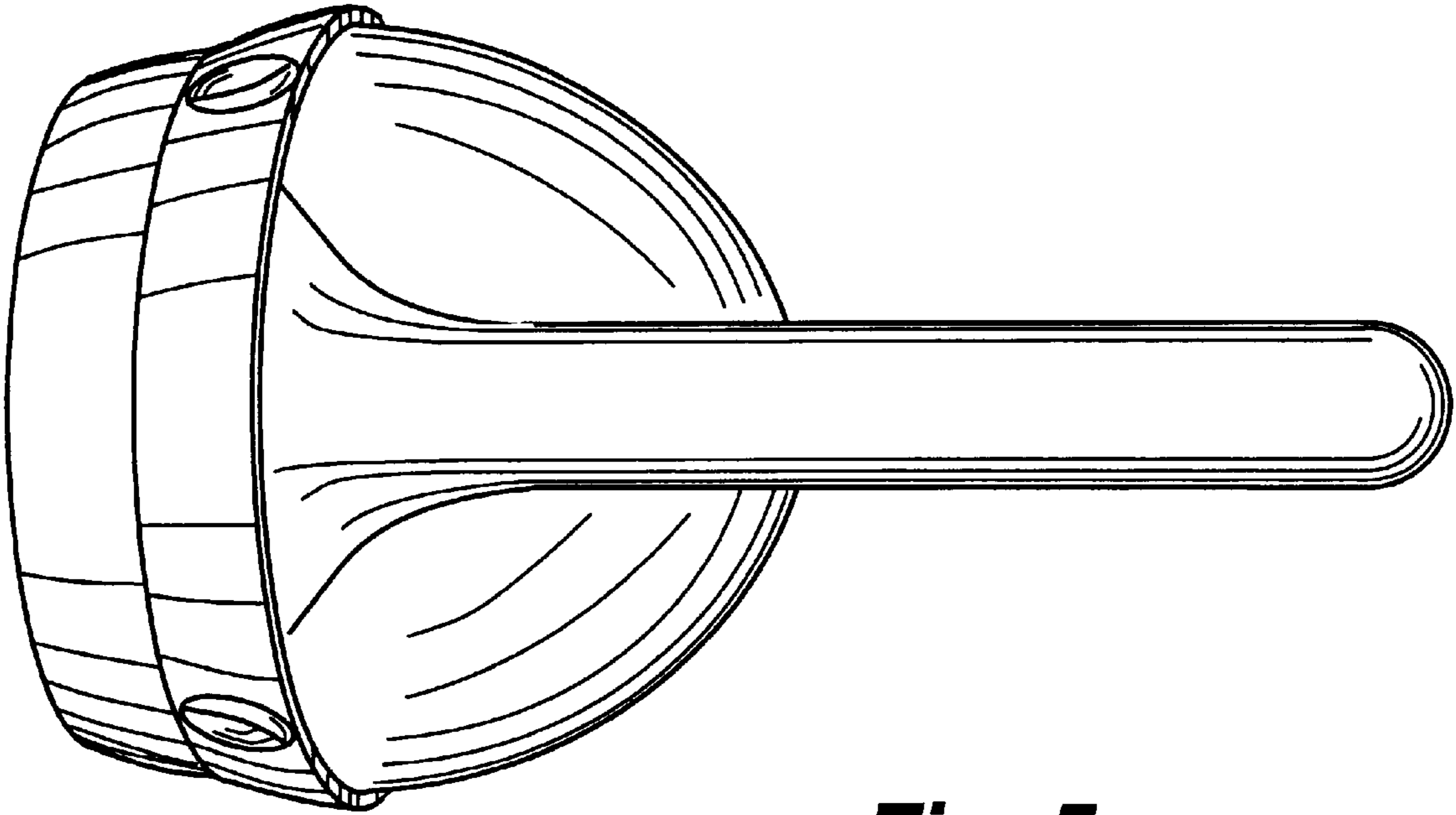


Fig. 5

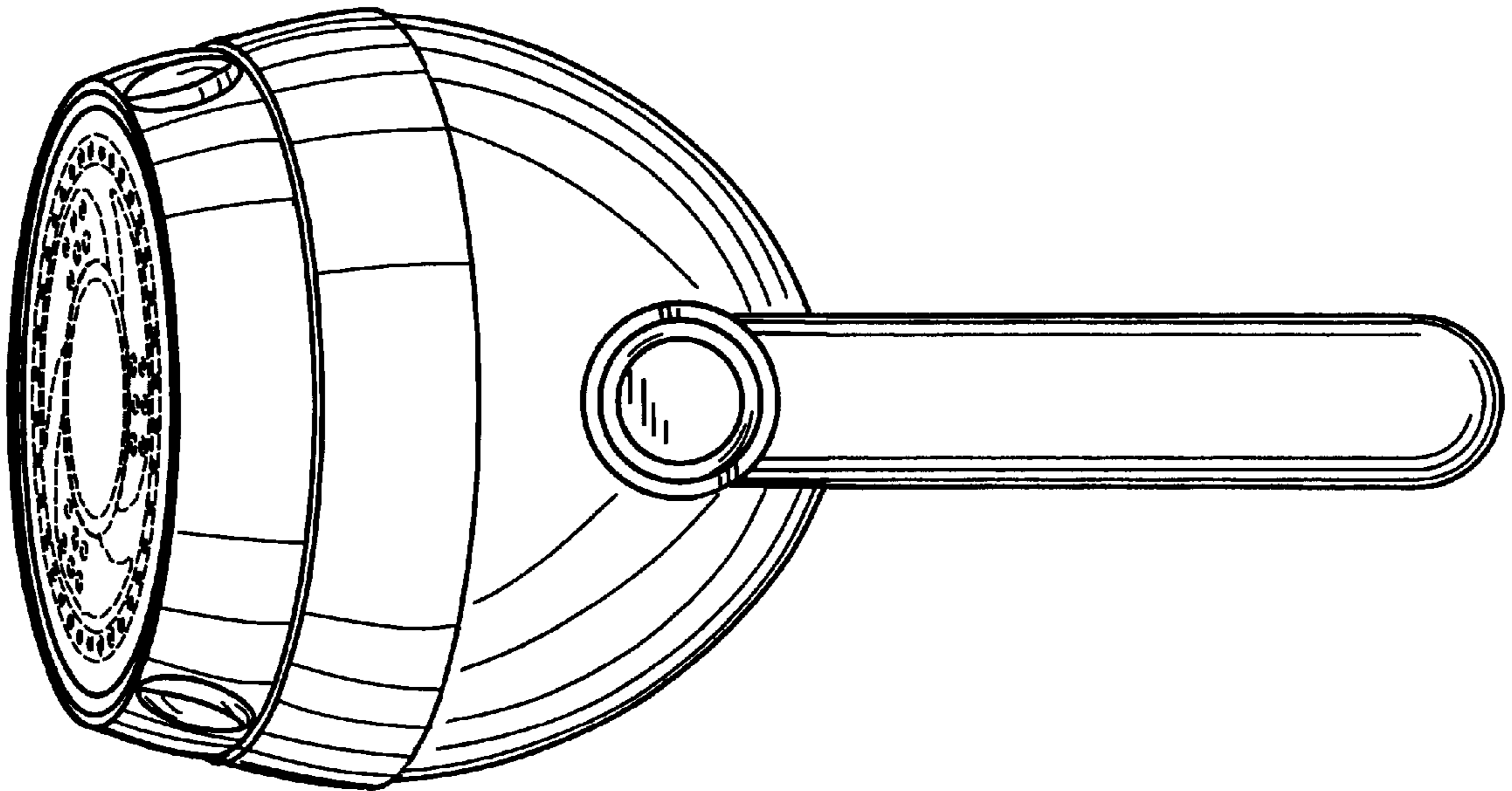


Fig. 6

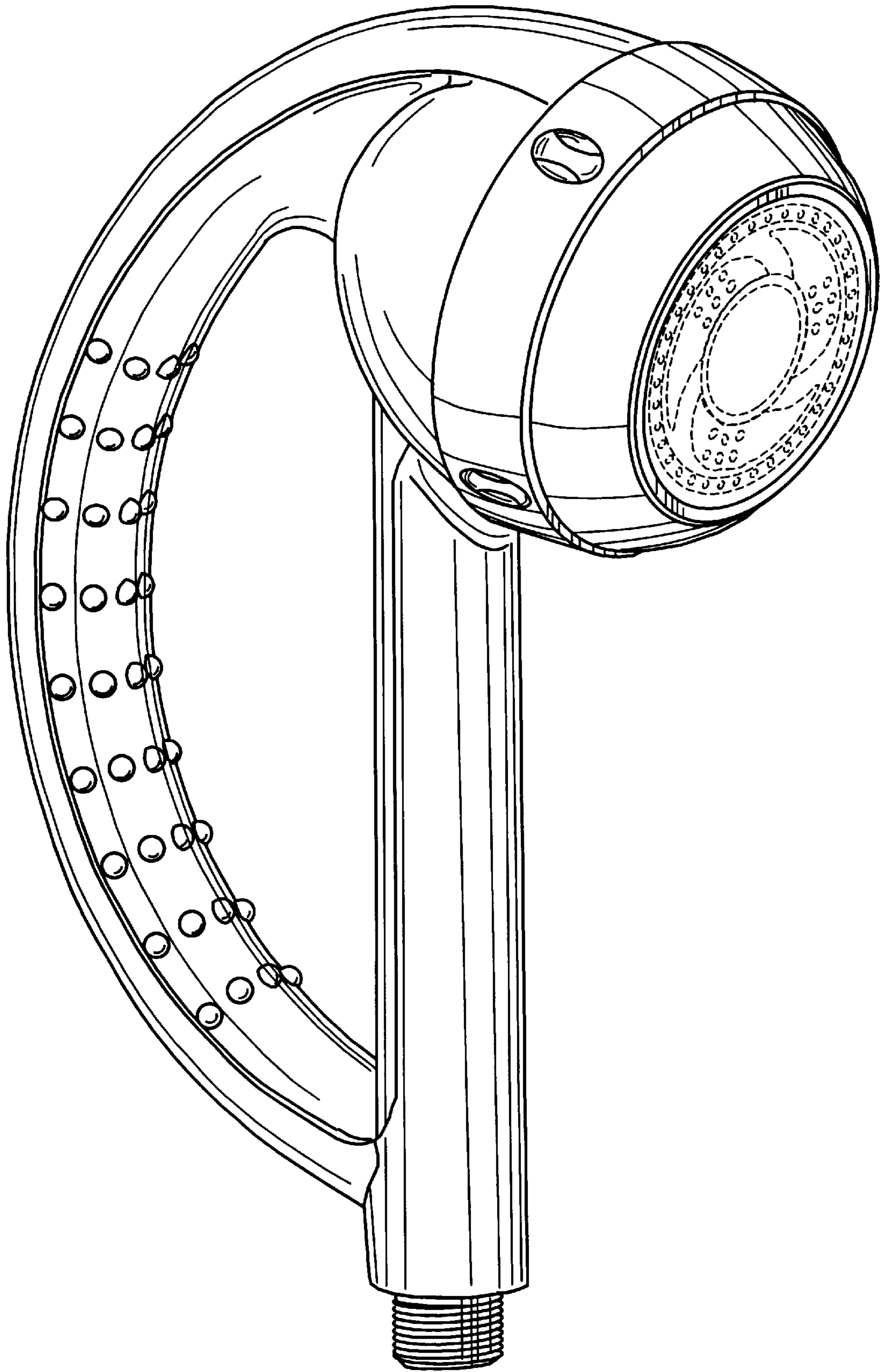


Fig. 7

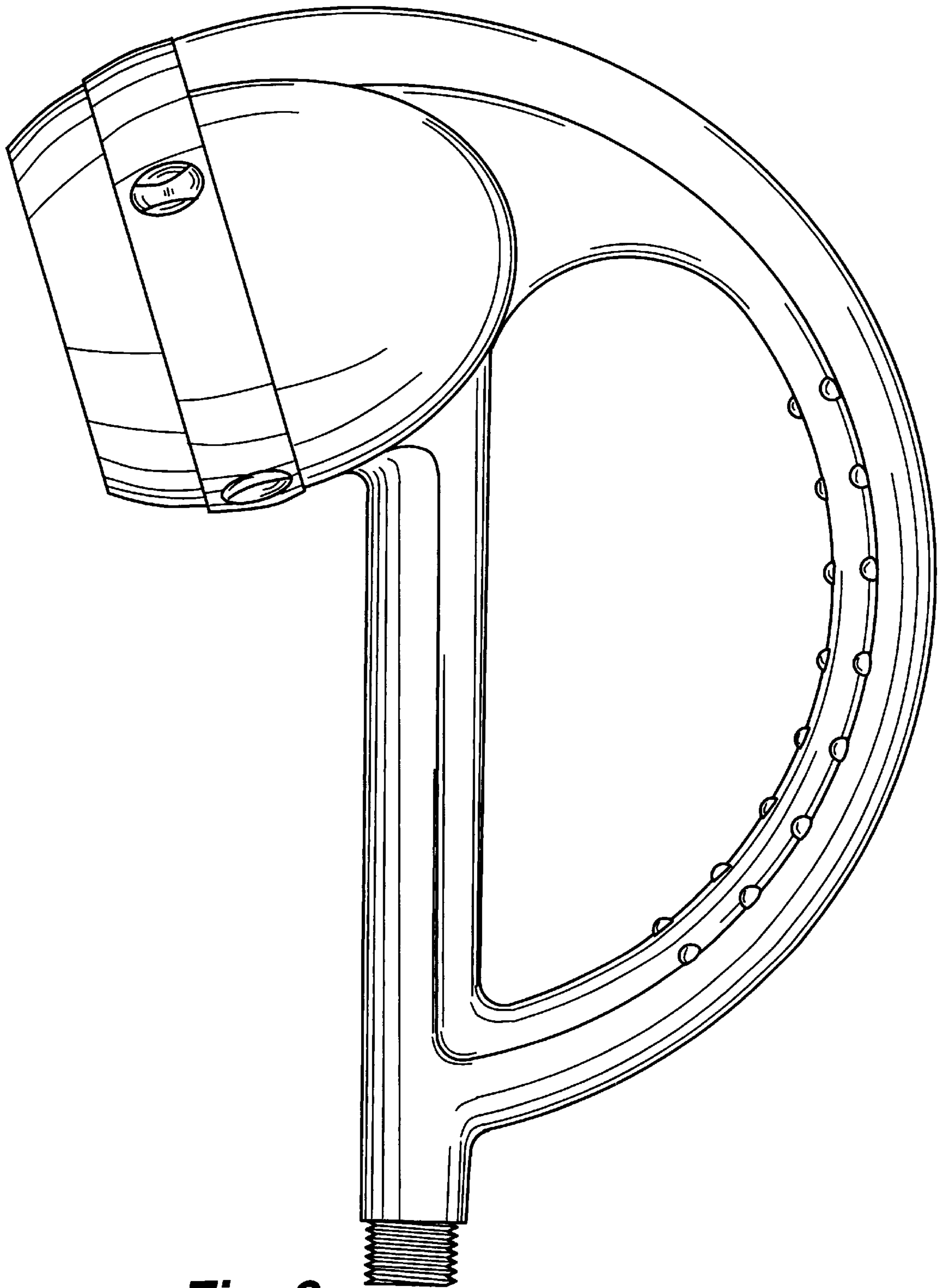


Fig. 8

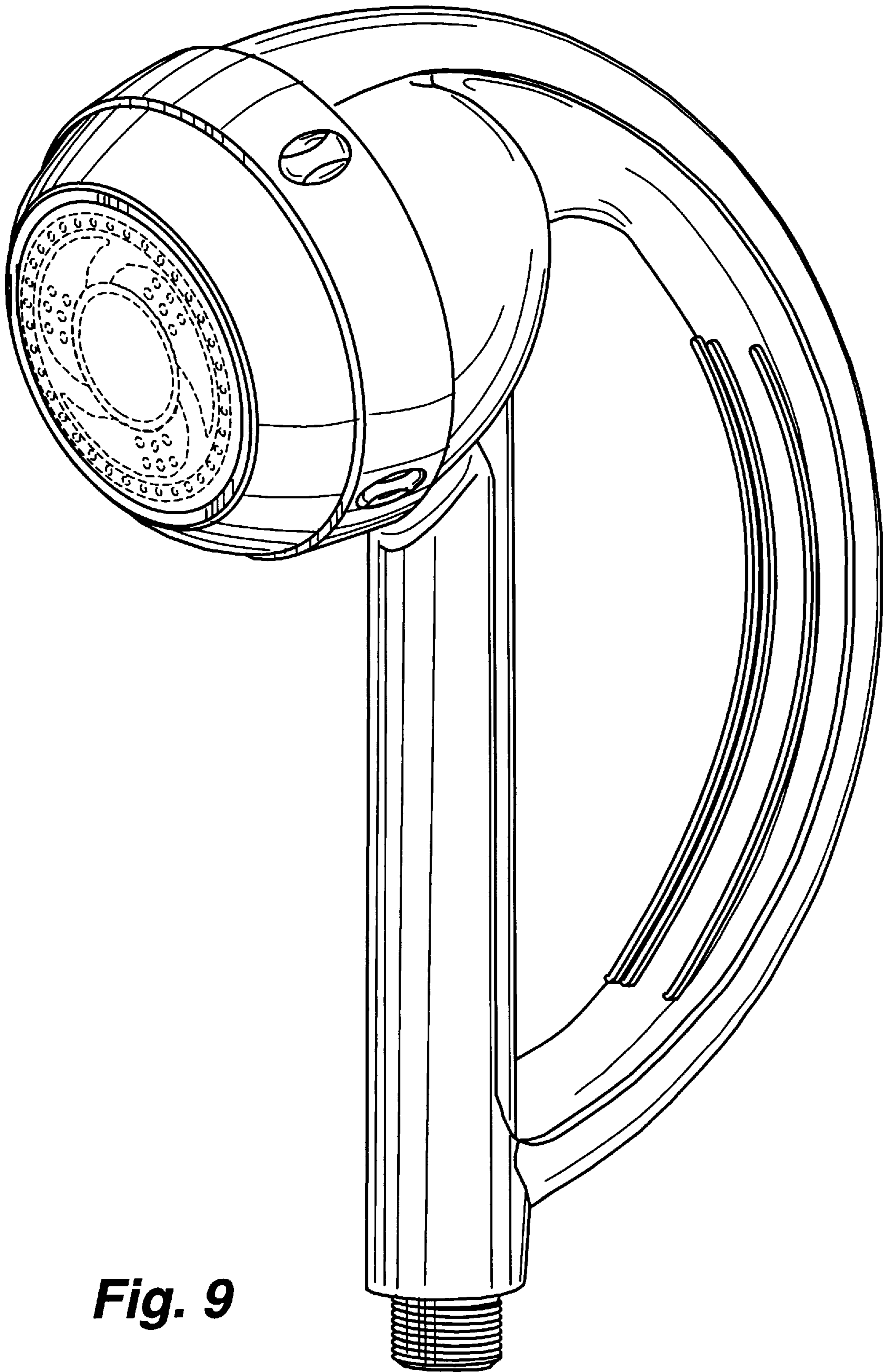


Fig. 9

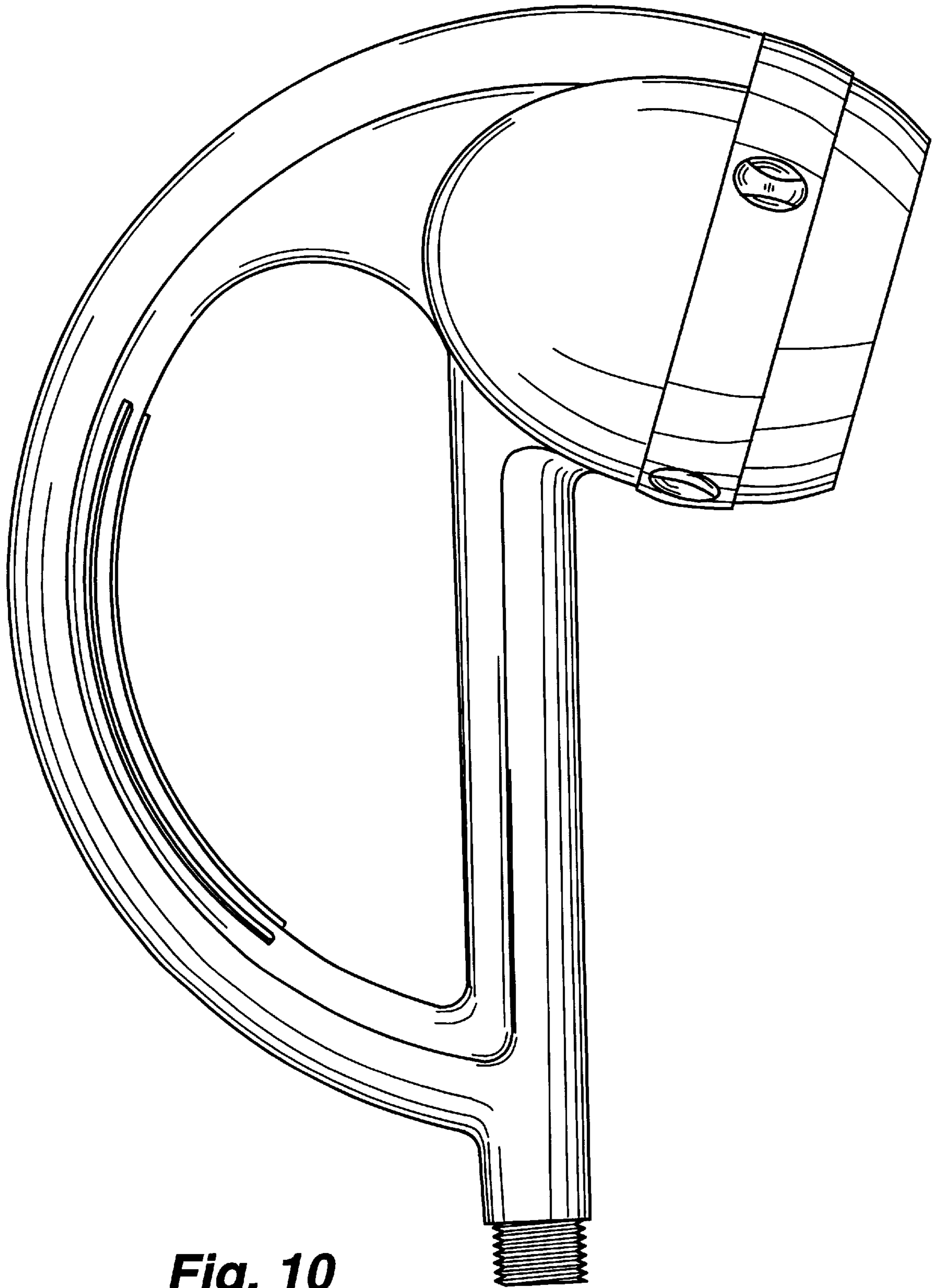


Fig. 10

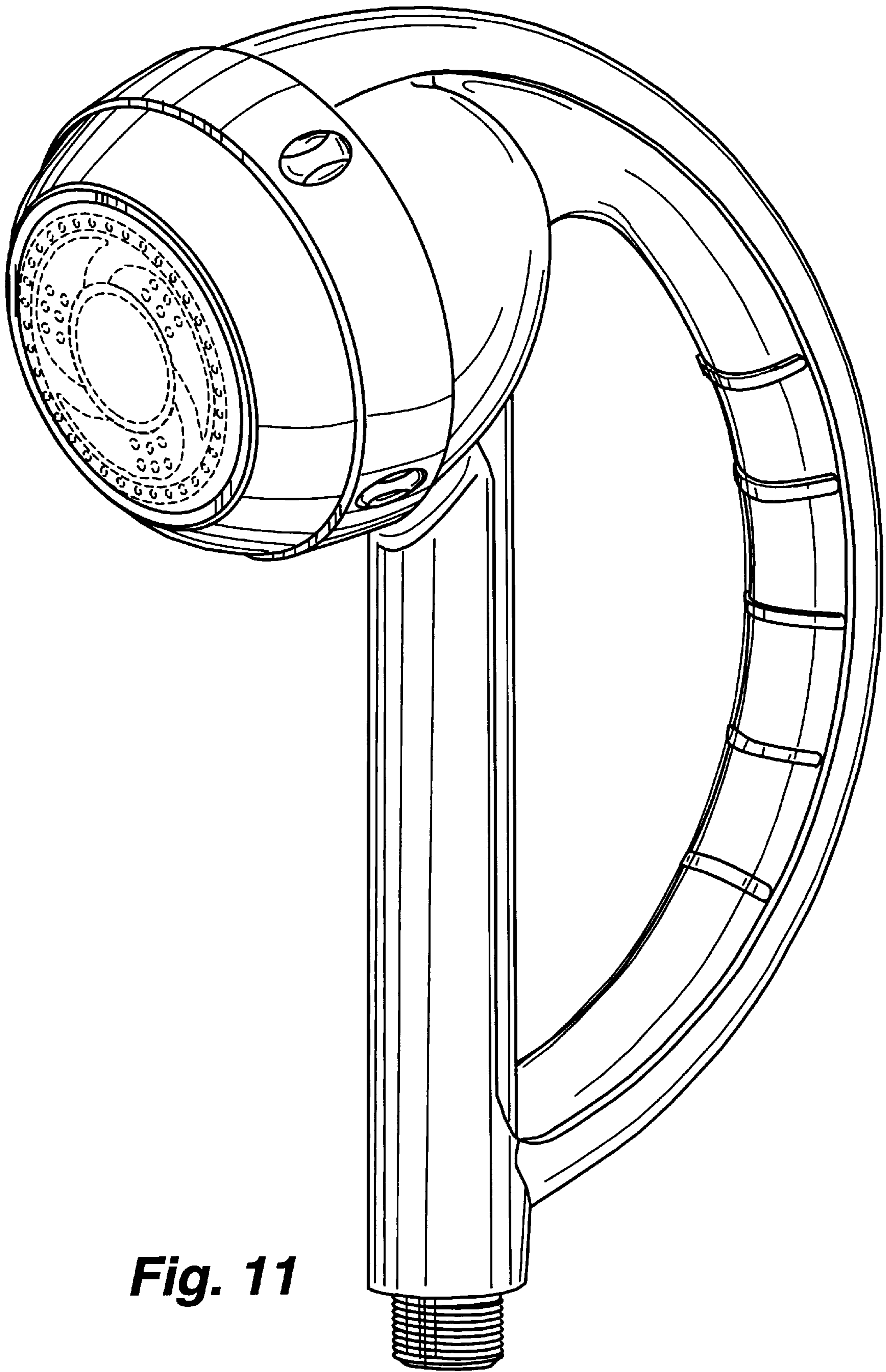


Fig. 11

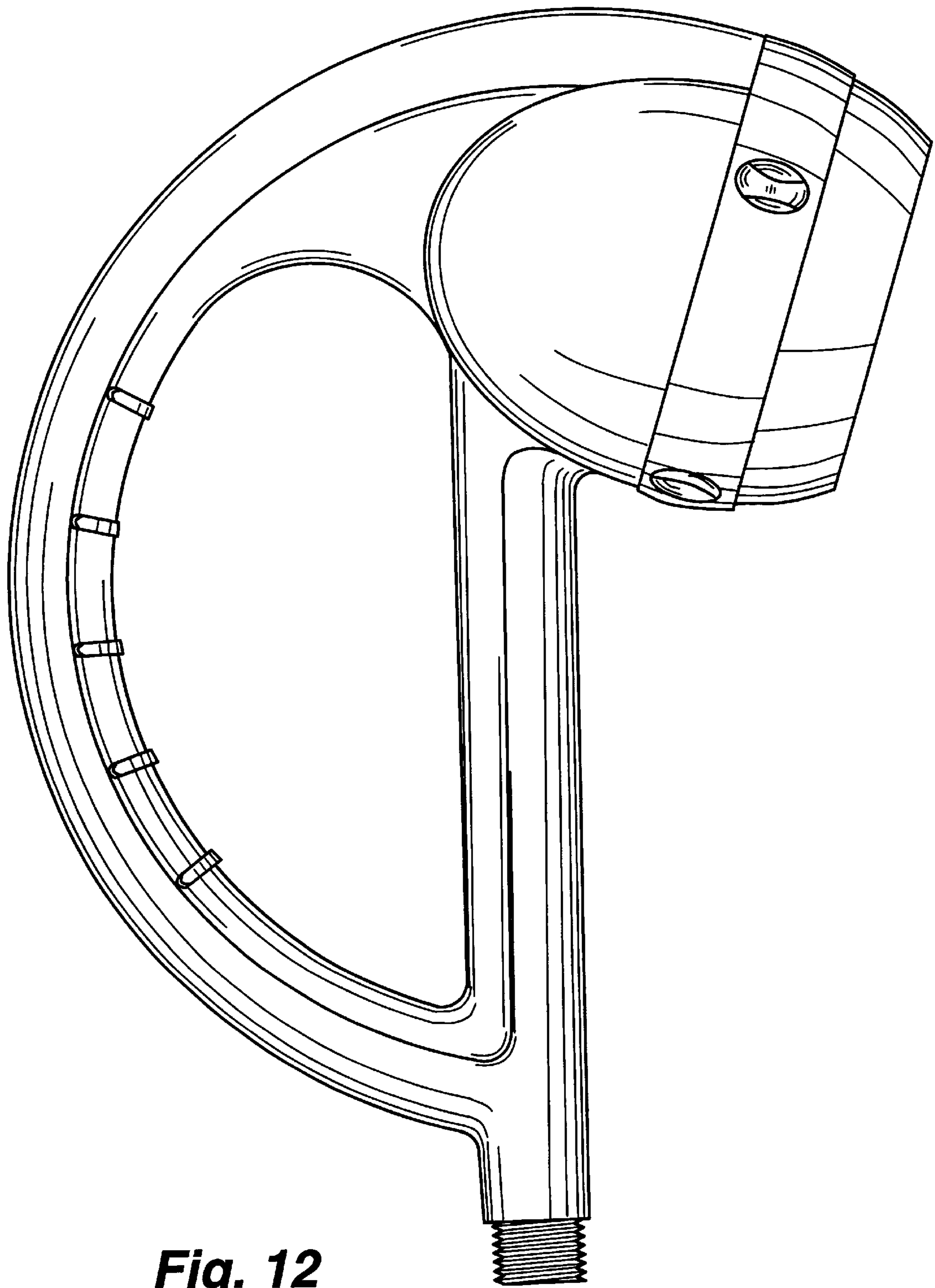


Fig. 12

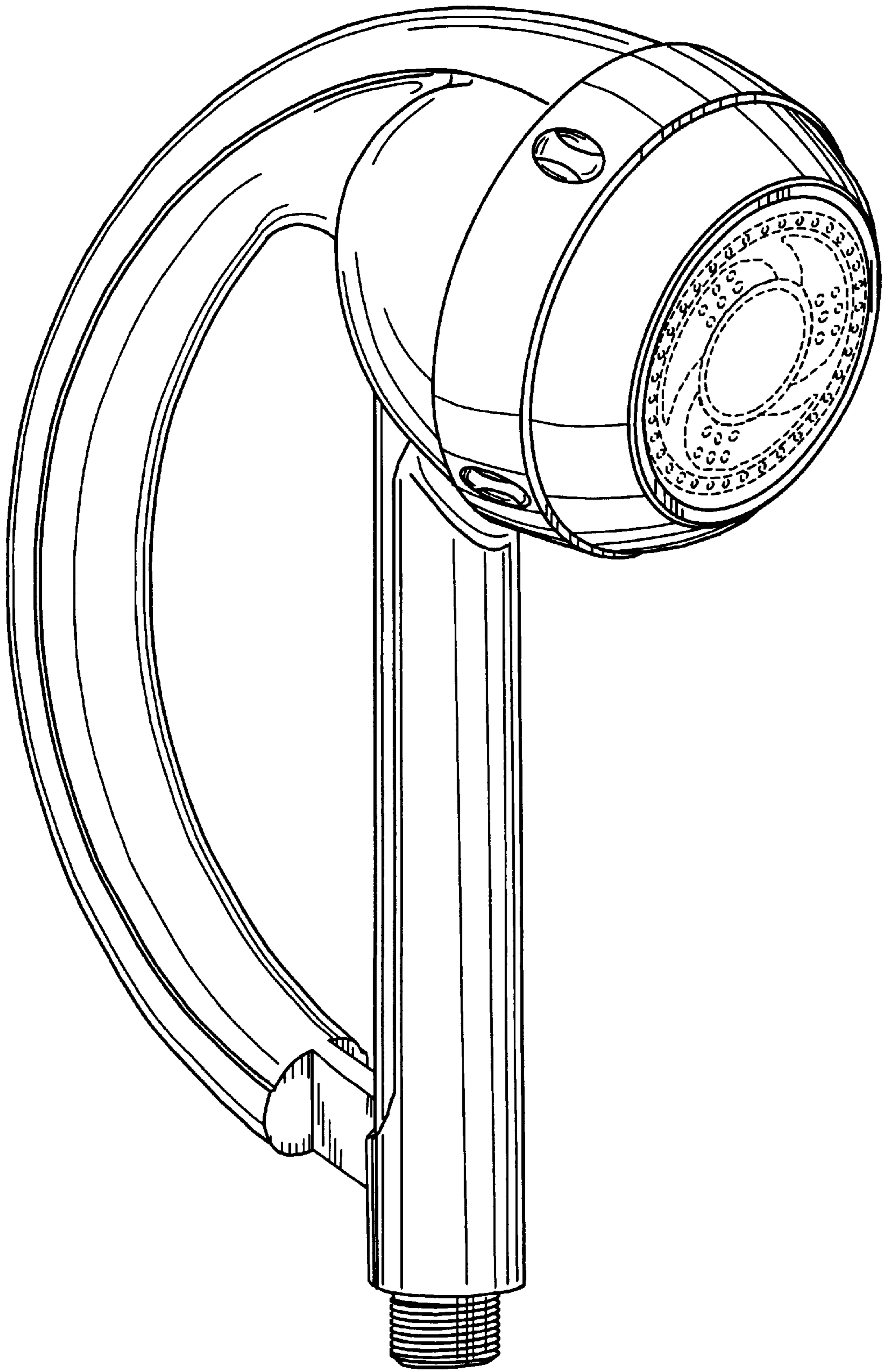


Fig. 13

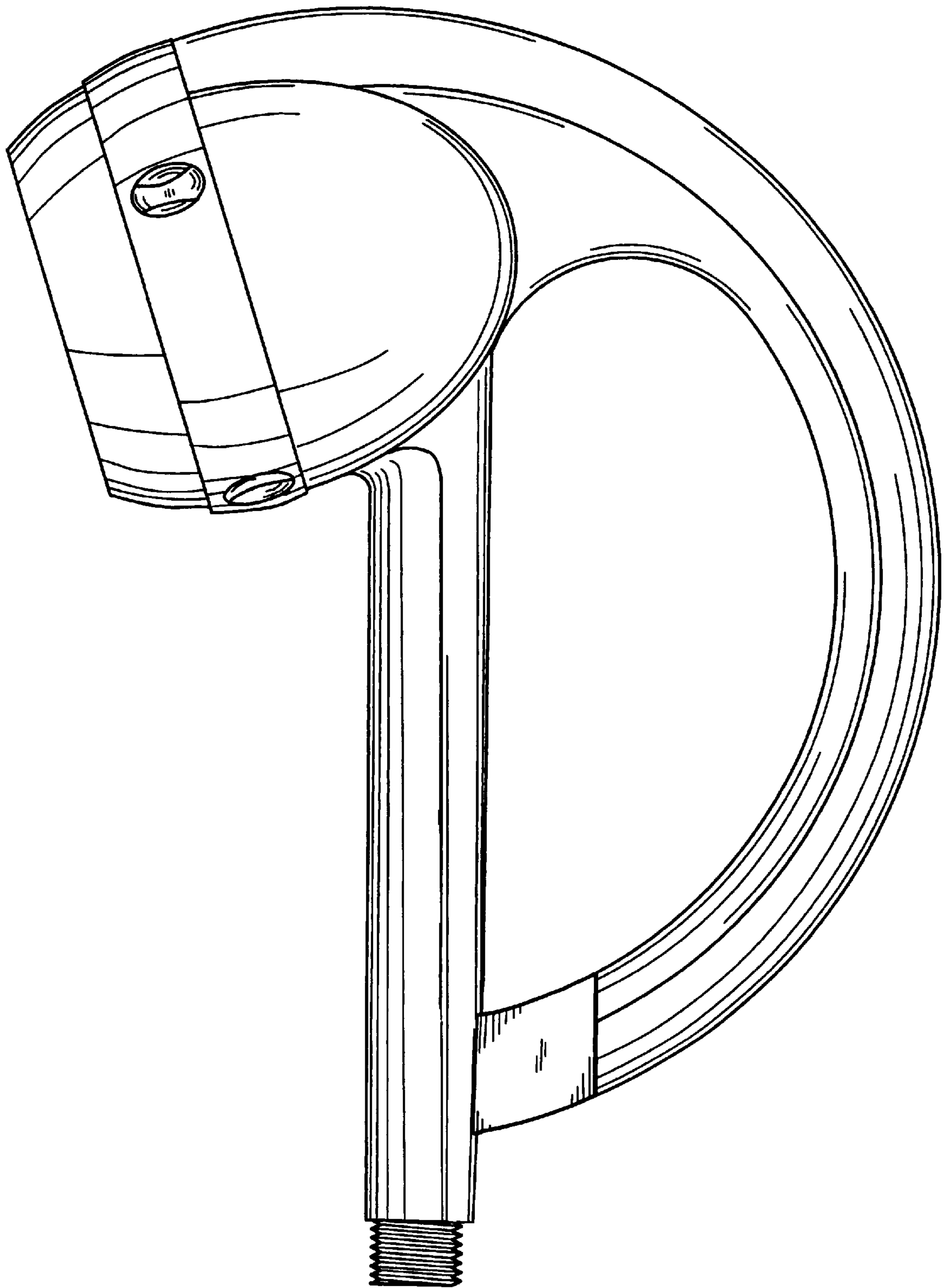


Fig. 14

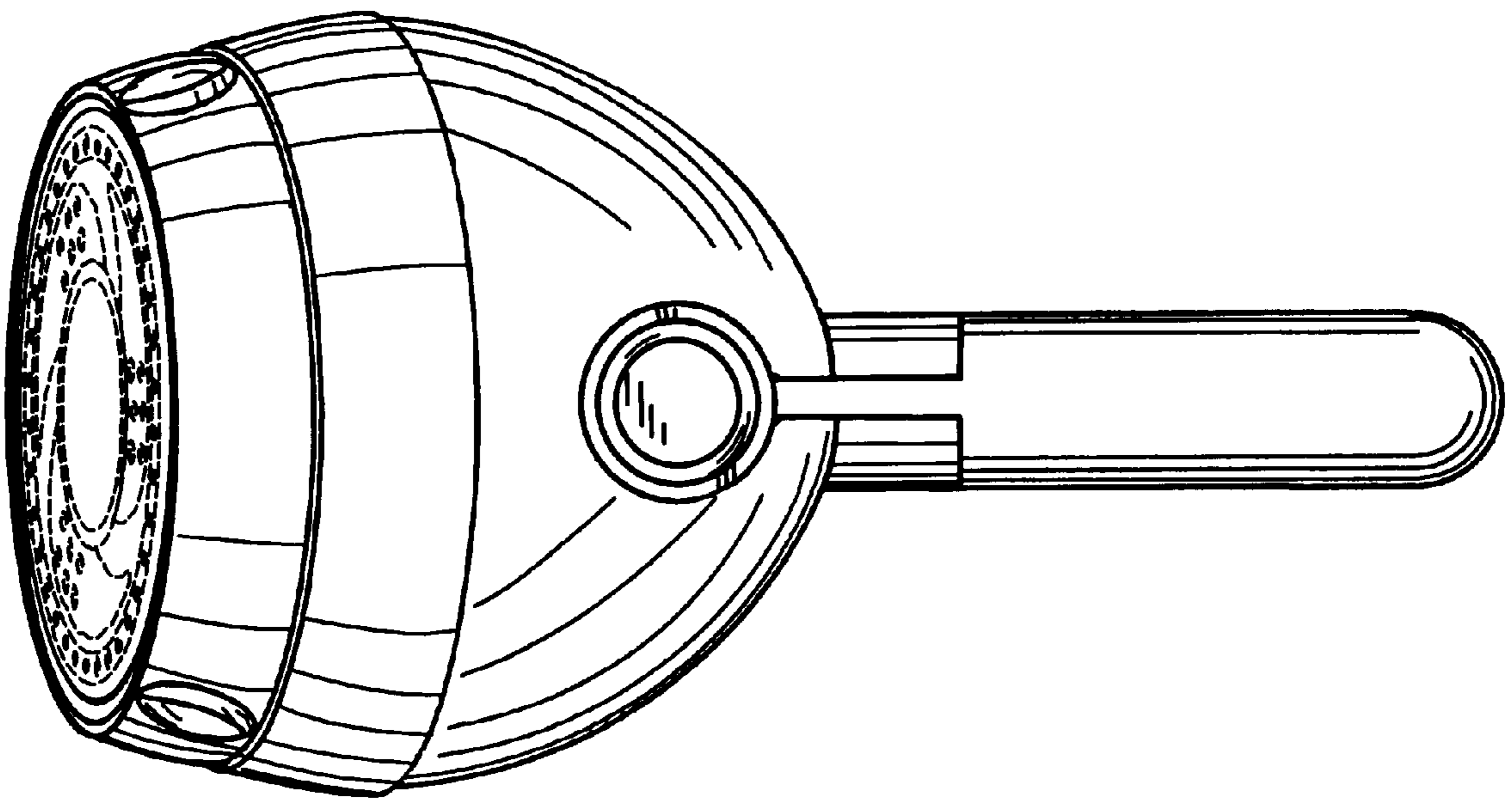


Fig. 15