



US00D422052S

United States Patent [19]

Heren

[11] **Patent Number: Des. 422,052**

[45] **Date of Patent: ** Mar. 28, 2000**

[54] **OSCILLATING SPRINKLER**

[75] Inventor: **Lawrence P. Heren**, East Peoria, Ill.

[73] Assignee: **L. R. Nelson**, Peoria, Ill.

[**] Term: **14 Years**

[21] Appl. No.: **29/103,609**

[22] Filed: **Apr. 15, 1999**

[51] **LOC (6) Cl.** **23-01**

[52] **U.S. Cl.** **D23/216**

[58] **Field of Search** D23/213, 214,
D23/215, 216, 229-230; 239/240-242,
536, 248

[56] **References Cited**

U.S. PATENT DOCUMENTS

| | | | | |
|------------|---------|-----------------|-------|---------|
| D. 197,168 | 12/1963 | Cornwell | | D23/216 |
| D. 282,866 | 3/1986 | Hayes | | D23/216 |
| D. 309,772 | 8/1990 | Hastings et al. | | D23/216 |
| D. 350,809 | 9/1994 | Aquilina | | D23/216 |

| | | | | |
|------------|---------|-------|-------|---------|
| D. 387,127 | 12/1997 | Guo | | D23/216 |
| D. 398,952 | 9/1998 | Hsueh | | D23/216 |
| 4,568,023 | 2/1986 | Hayes | | 239/242 |

OTHER PUBLICATIONS

Nelson catalog; item #1025 Rainshower; p. 15; Fluid Handling digest, 1995.

Primary Examiner—Robin V. Taylor
Attorney, Agent, or Firm—Mayer, Brown & Platt

[57] **CLAIM**

The ornamental design for an oscillating sprinkler, as shown.

DESCRIPTION

FIG. 1 is a perspective view showing my new design; FIG. 2 is a front elevational view thereof; FIG. 3 is a top plan view thereof; FIG. 4 is a bottom plan view thereof; FIG. 5 is a right side elevational view thereof; and, FIG. 6 is a left side elevational view thereof.

1 Claim, 5 Drawing Sheets

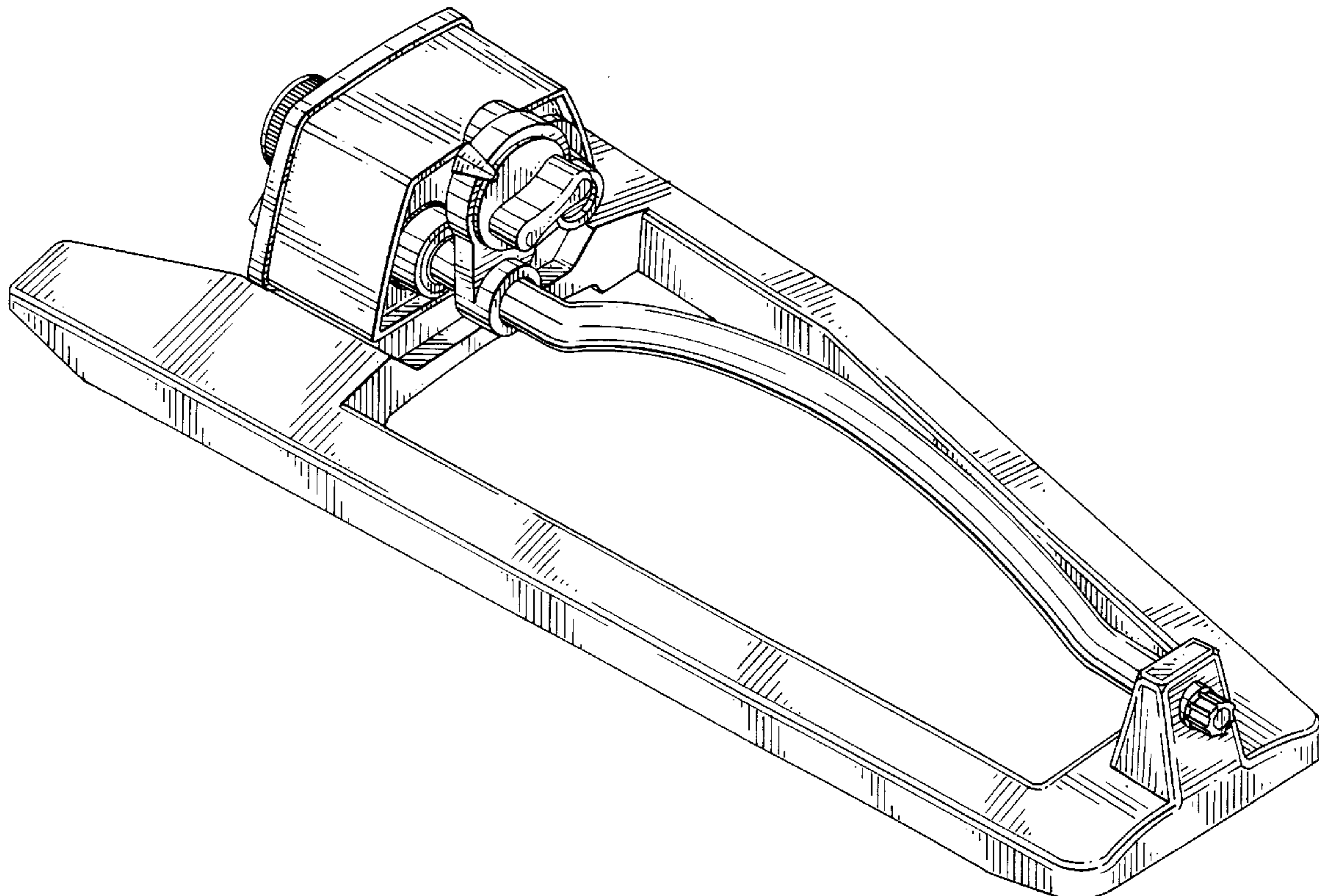


FIG. 1

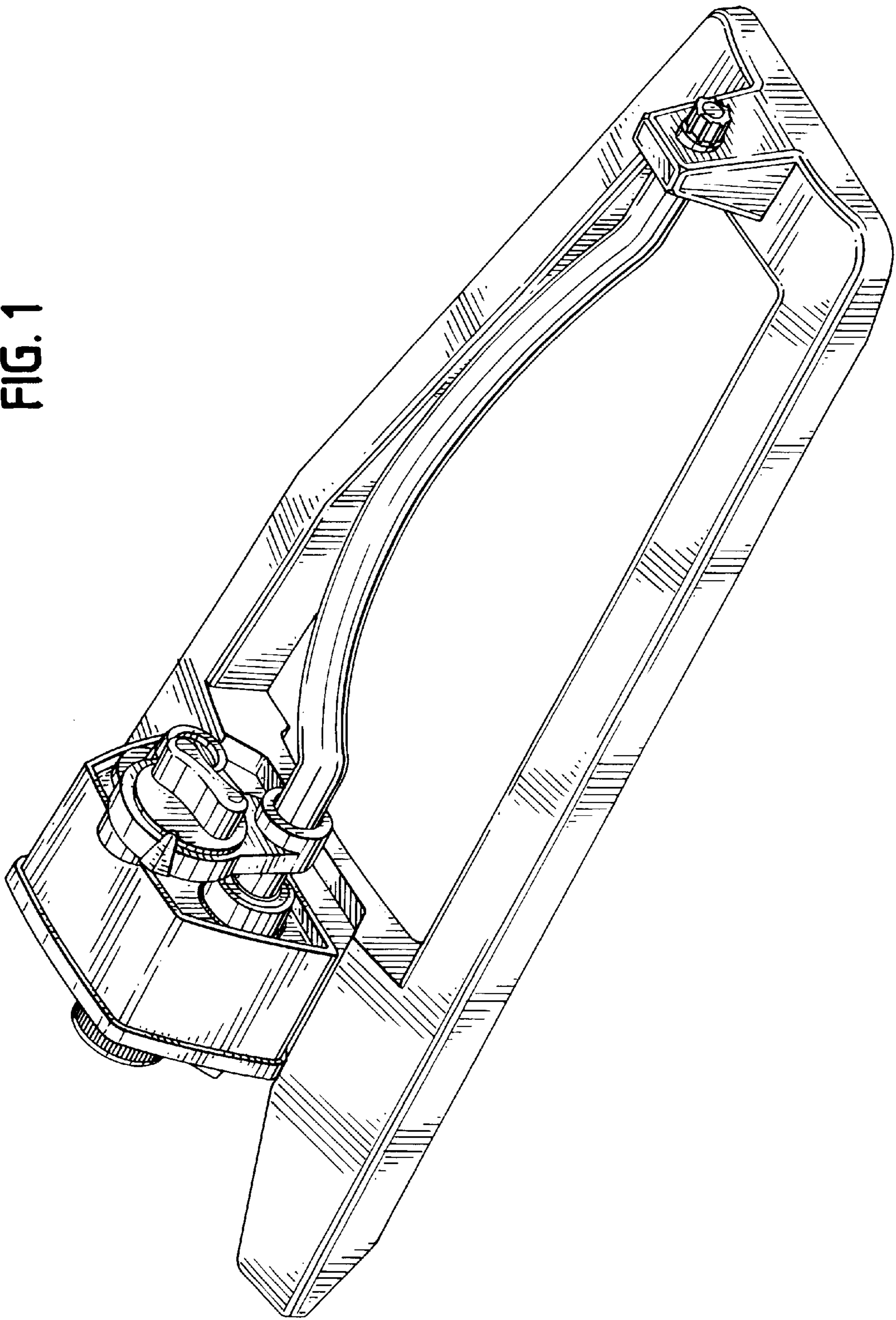


FIG. 2

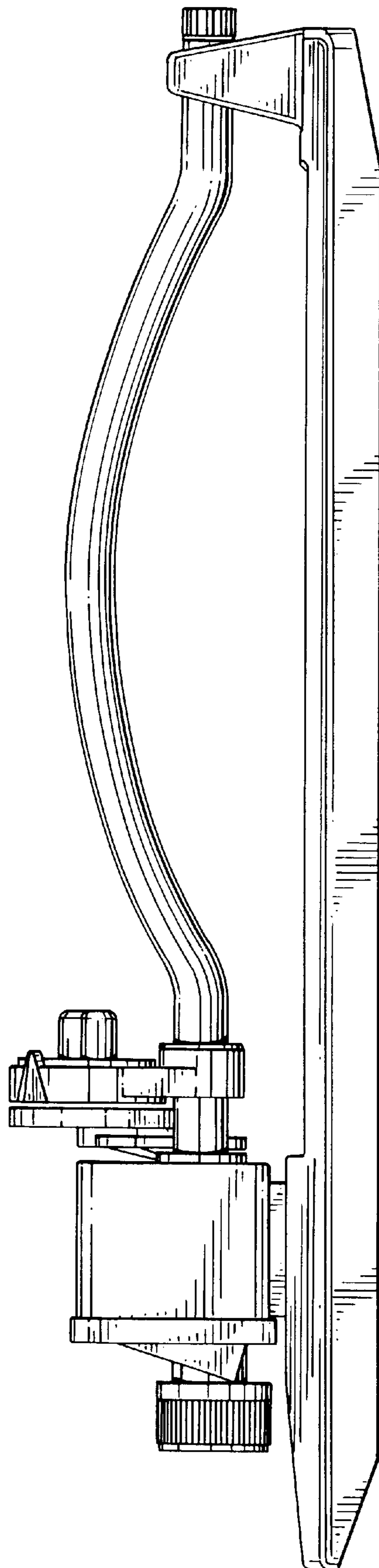


FIG. 3

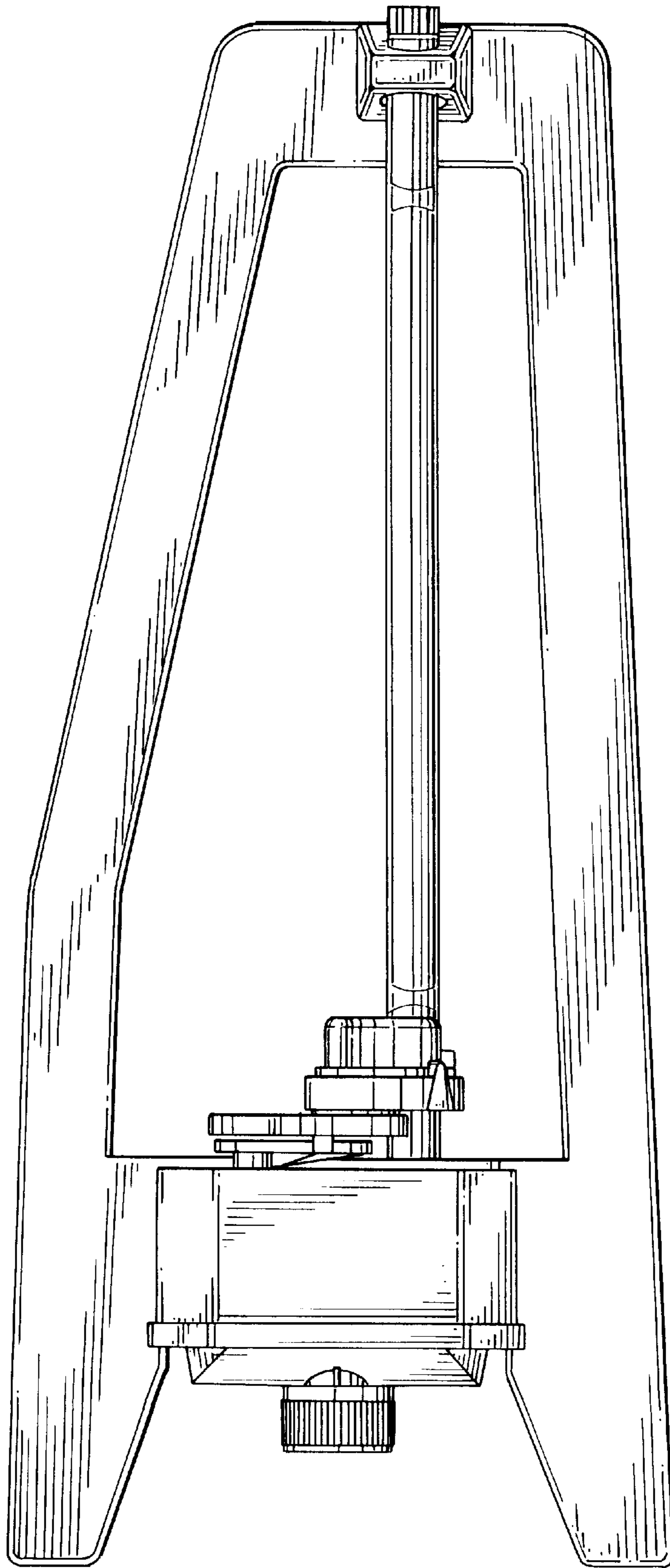


FIG. 4

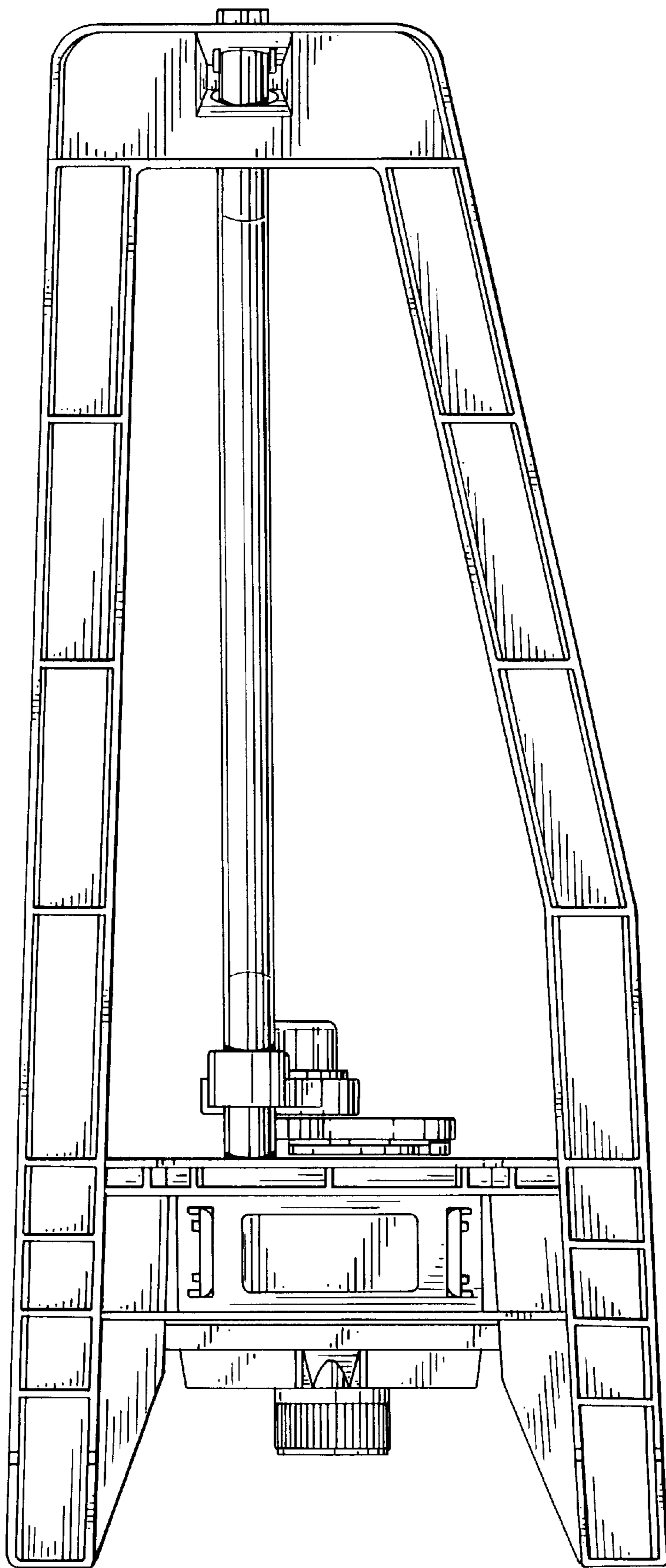


FIG. 5

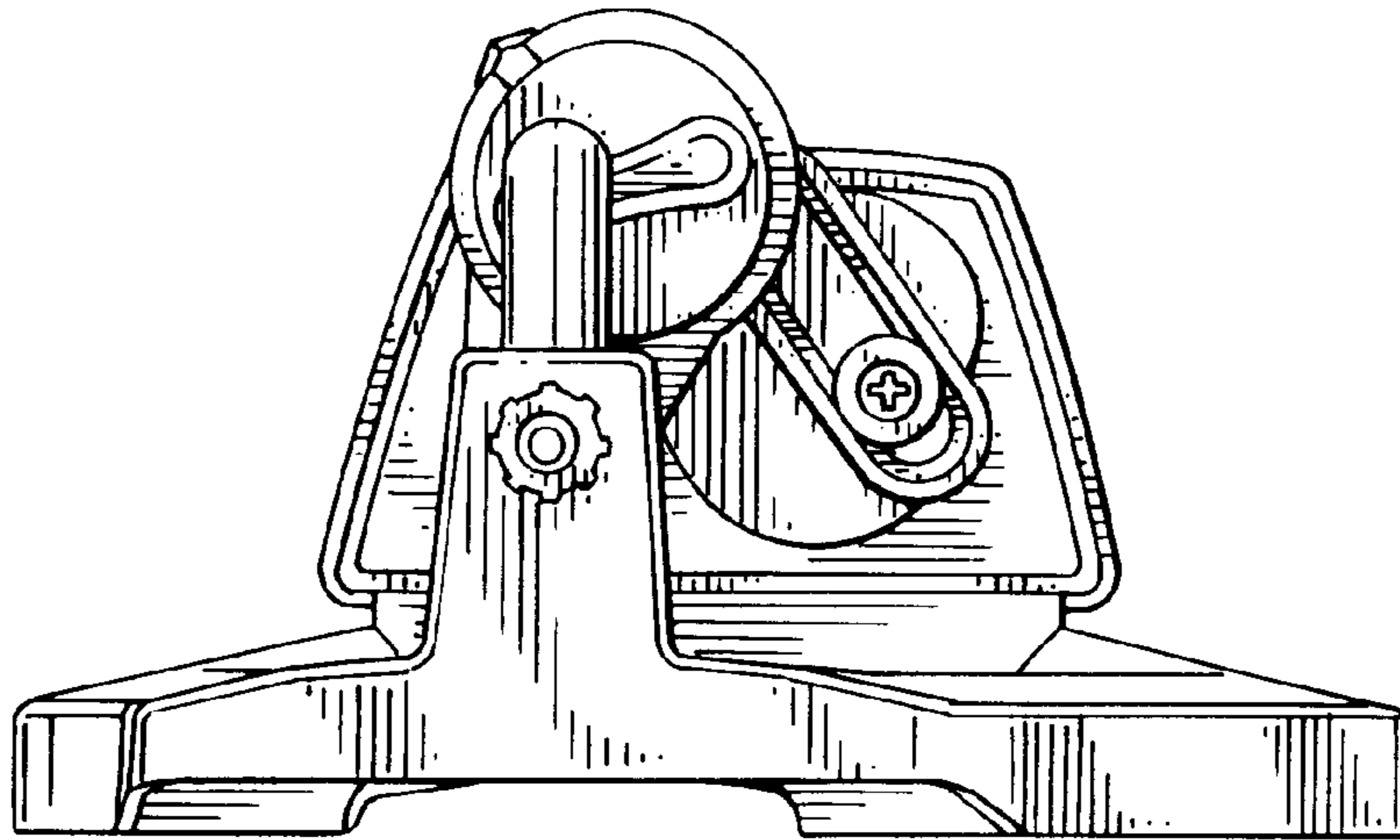
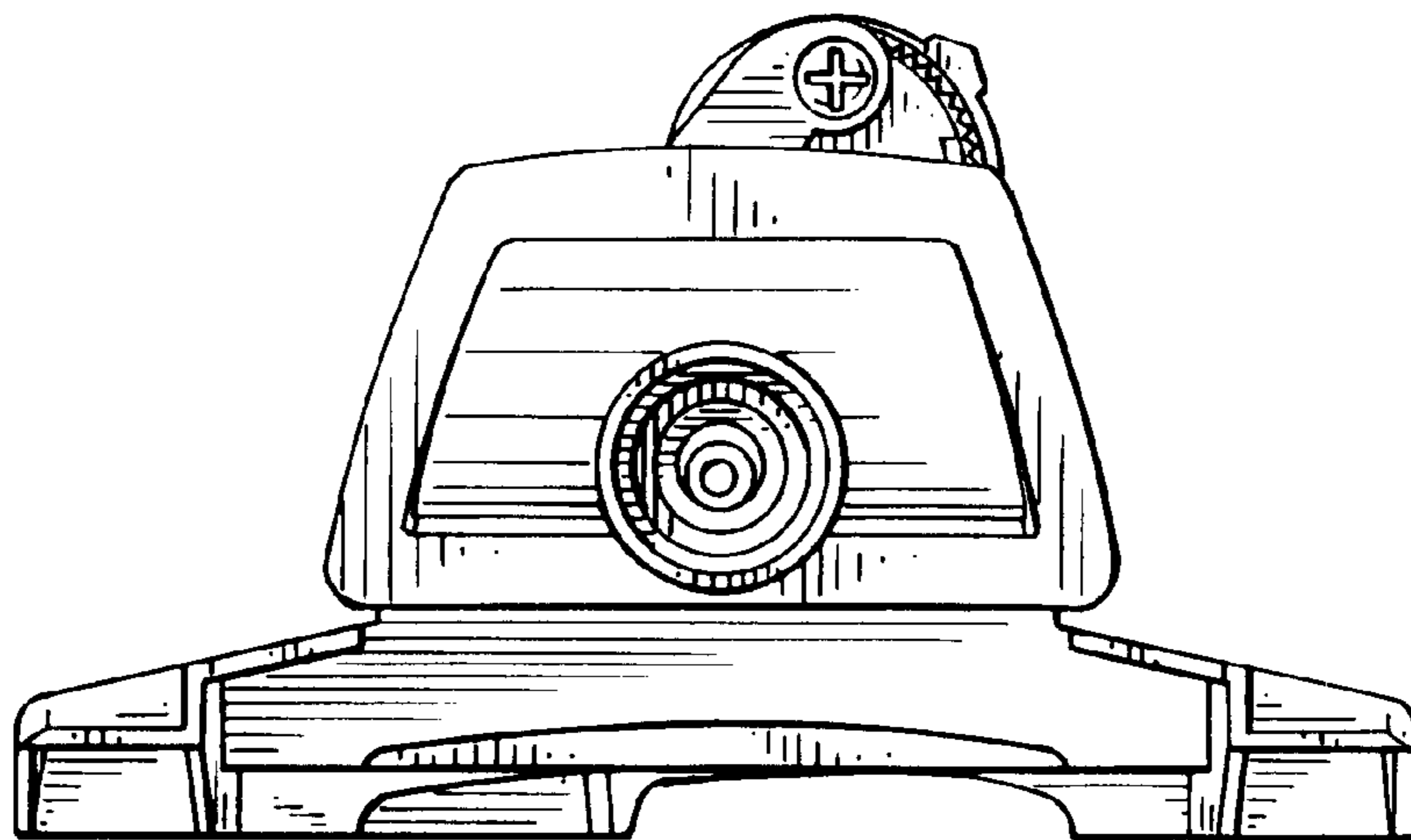


FIG. 6



UNITED STATES PATENT AND TRADEMARK OFFICE
CERTIFICATE OF CORRECTION

PATENT NO. : Des 422,052
DATED : March 28, 2000
INVENTOR(S) : Lawrence P. Heren

Page 1 of 1

It is certified that error appears in the above-identified patent and that said Letters Patent is hereby corrected as shown below:

Title page.

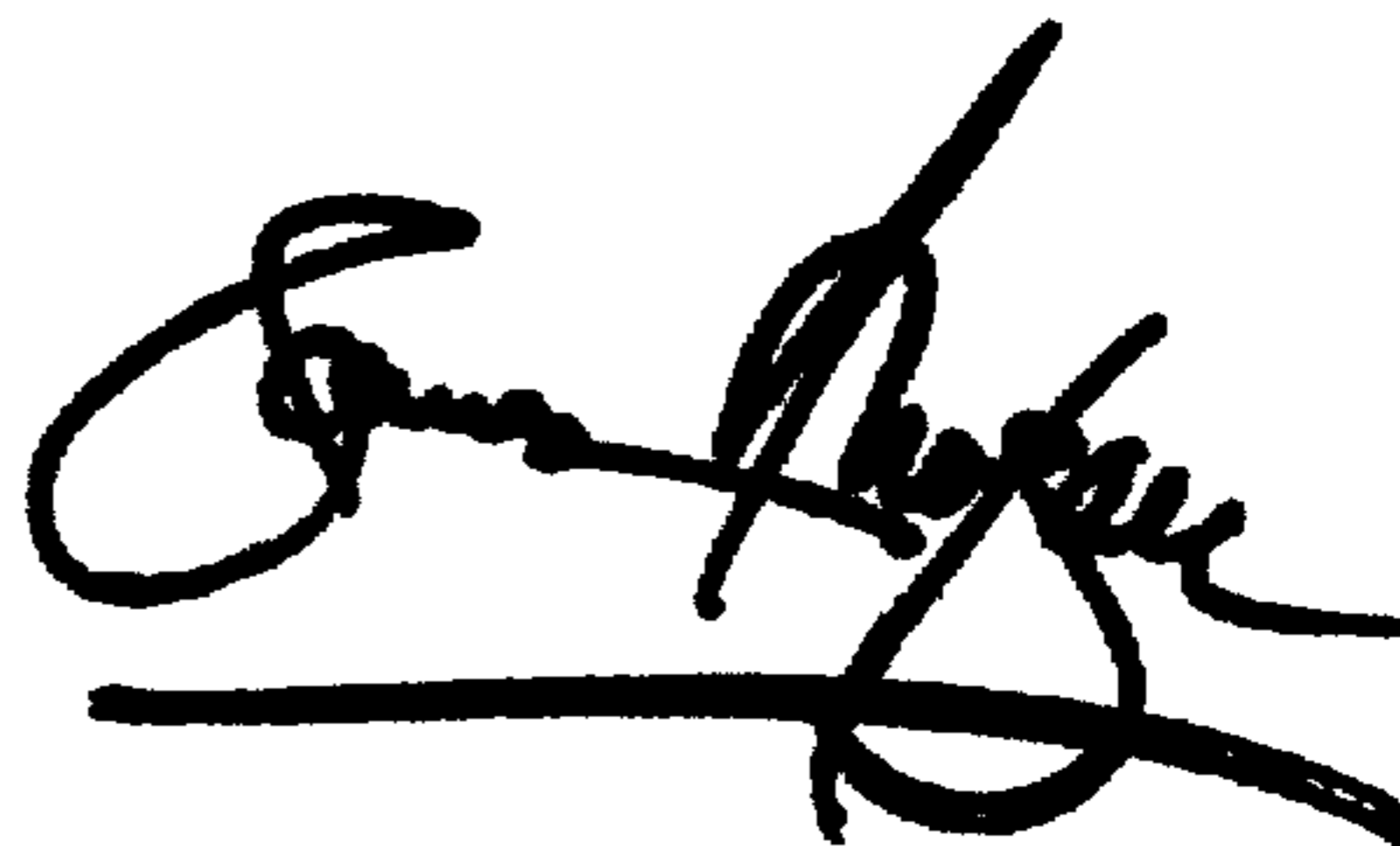
Item [75], Inventor: should read as follows:

-- [75] Inventors: Lawrence P. Heren, East Peoria; Scott Jacobs, Bloomington, both of Ill. --.

Signed and Sealed this

Nineteenth Day of February, 2002

Attest:



Attesting Officer

JAMES E. ROGAN
Director of the United States Patent and Trademark Office