



US00D422047S

United States Patent [19]

Kaneda et al.

[11] Patent Number: **Des. 422,047**

[45] Date of Patent: **** Mar. 28, 2000**

[54] **FISHING REEL**

[75] Inventors: **Yasuhisa Kaneda**, Musashino;
Masayoshi Fujii; **Shuichi Matsuzawa**,
both of Higashikurume, all of Japan

[73] Assignee: **Daiwa Seiko, Inc.**, Tokyo, Japan

[**] Term: **14 Years**

[21] Appl. No.: **29/099,450**

[22] Filed: **Jan. 21, 1999**

[30] Foreign Application Priority Data

Jul. 22, 1998 [JP] Japan 10-21016

[51] **LOC (6) Cl.** **22-05**

[52] **U.S. Cl.** **D22/140**

[58] **Field of Search** D22/137, 138,
D22/139, 140, 141; 43/19, 19.2; 242/370,
223, 224, 311, 234, 235, 236, 237, 238,
239, 240

[56] References Cited

U.S. PATENT DOCUMENTS

D. 315,011 2/1991 Kameda et al. D22/140

D. 336,325 6/1993 Asano D22/140
D. 347,046 5/1994 Sakurai D22/140
D. 394,896 6/1998 Asano et al. D22/140

Primary Examiner—Louis S. Zarfaz
Assistant Examiner—Inga-Maria Hyttinen
Attorney, Agent, or Firm—J. Warren, Whitesel, Laff,
Whitesel & Saret, Ltd.

[57] CLAIM

The ornamental design for fishing reel, as shown and described.

DESCRIPTION

FIG. 1 is a front, top and right side perspective view of fishing reel, showing our new design;
FIG. 2 is a rear, top and left side perspective view thereof;
FIG. 3 is a front elevational view thereof;
FIG. 4 is a rear elevational view thereof;
FIG. 5 is a top plan view thereof;
FIG. 6 is a bottom plan view thereof;
FIG. 7 is a right side elevational view thereof; and,
FIG. 8 is a left side elevational view thereof.

1 Claim, 3 Drawing Sheets

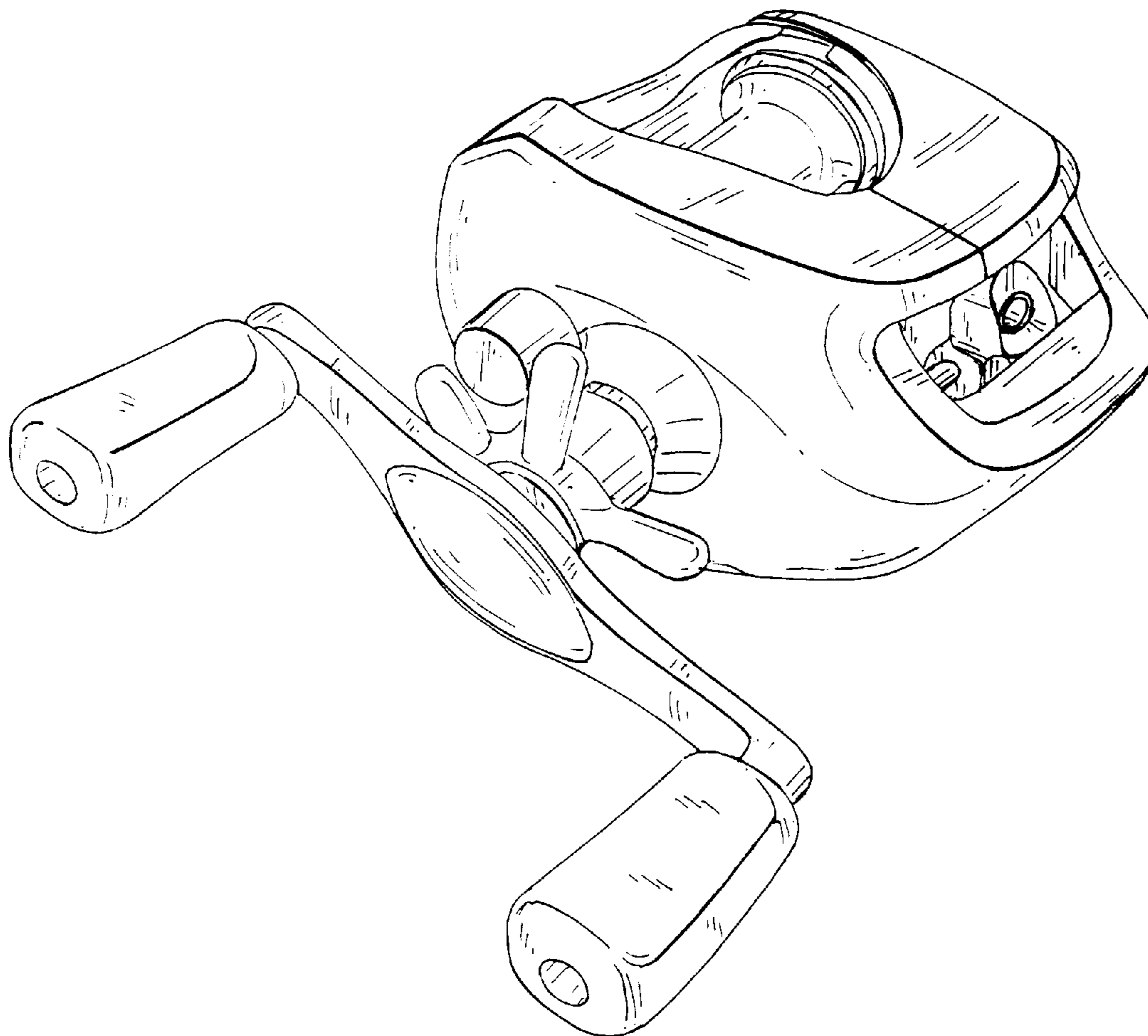


FIG.1

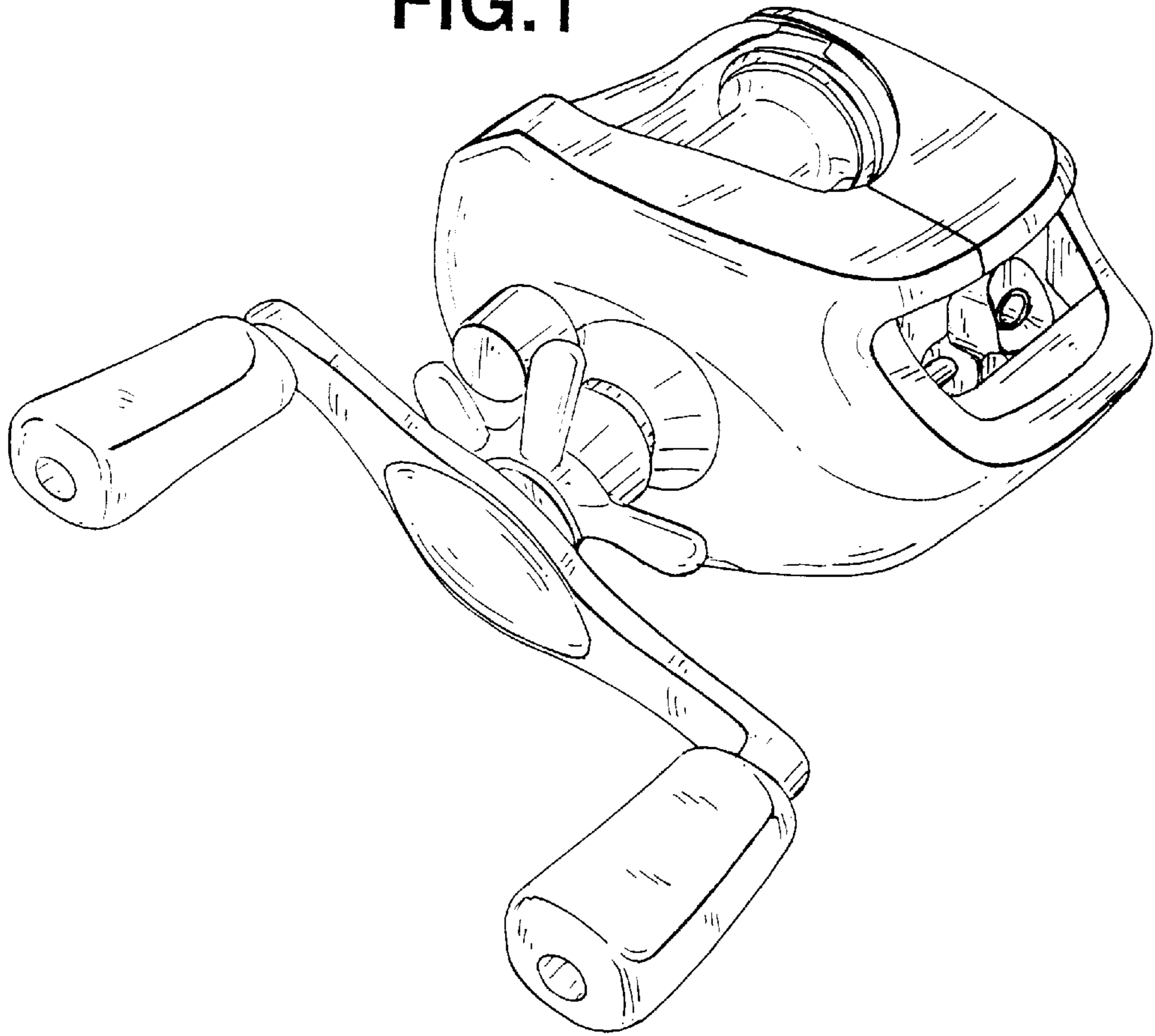


FIG.2

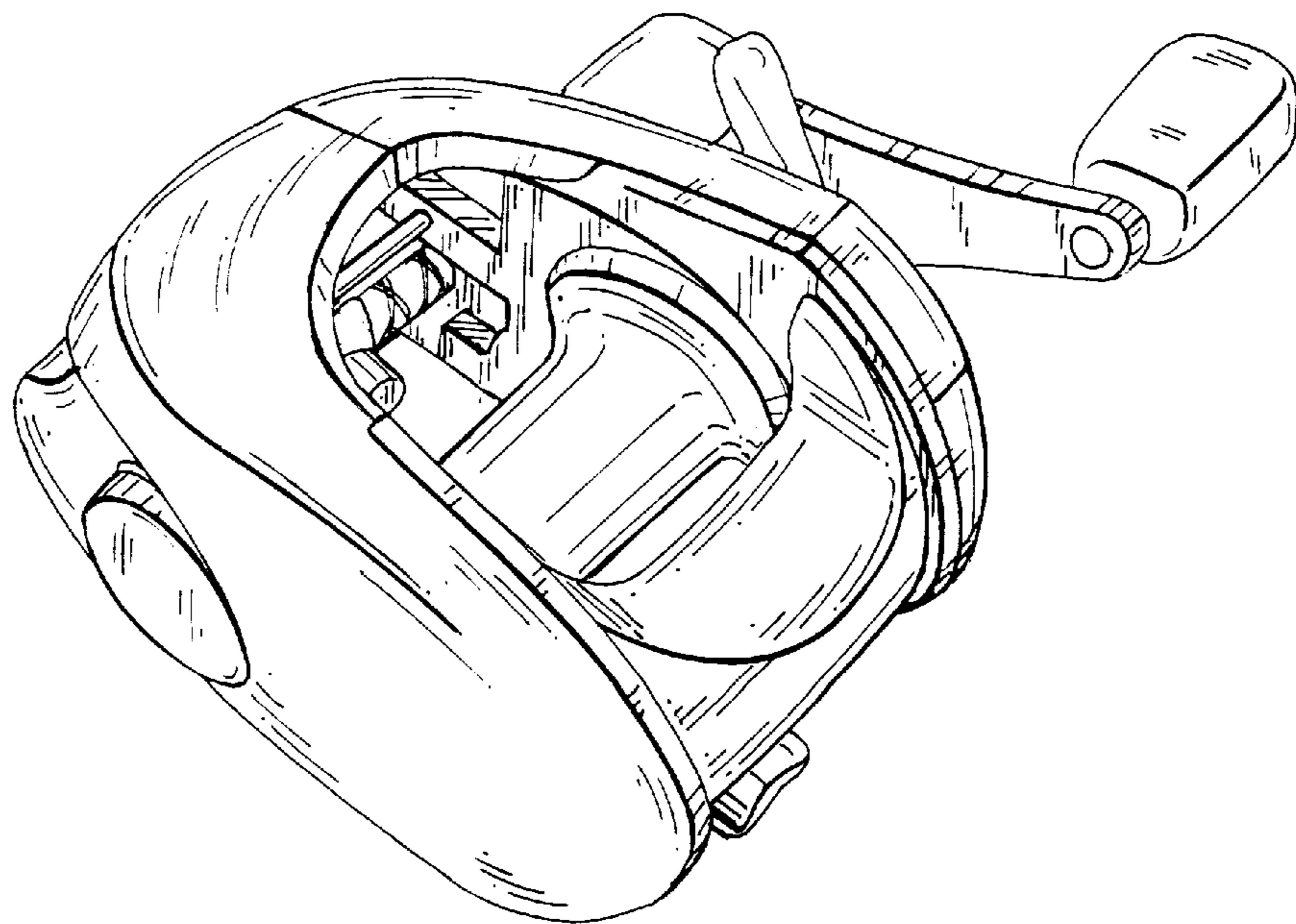


FIG.3

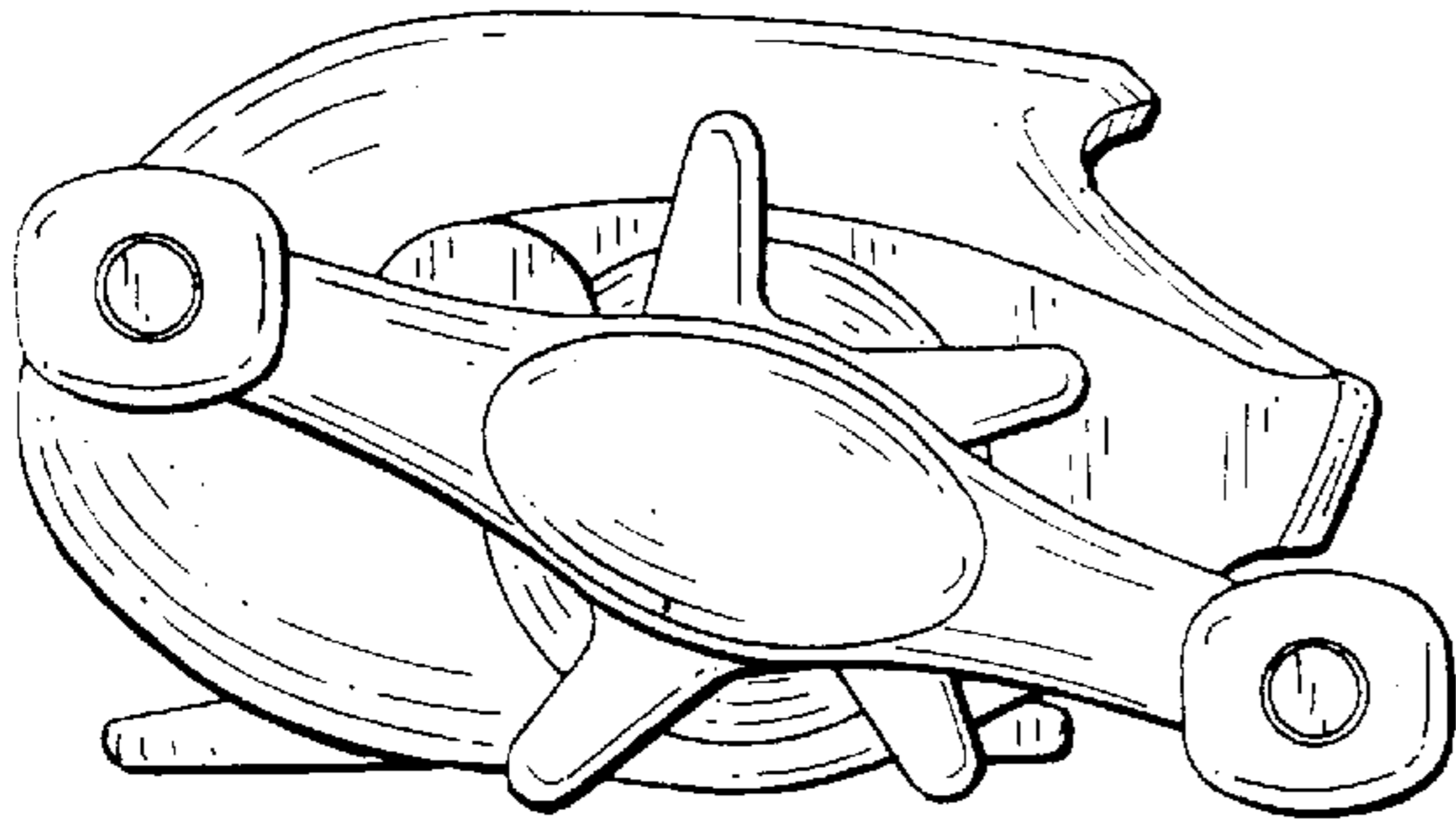


FIG.4

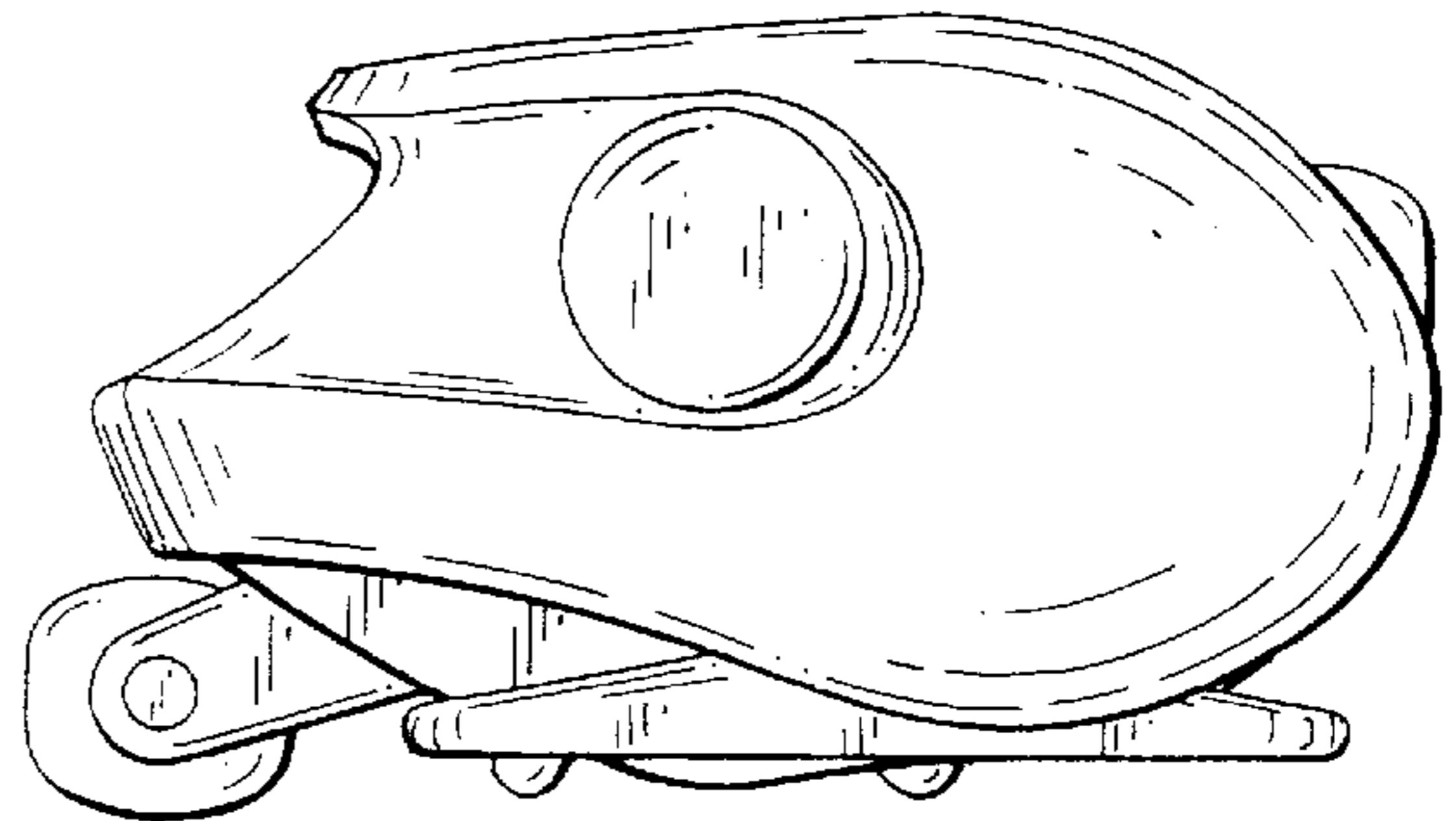


FIG.5

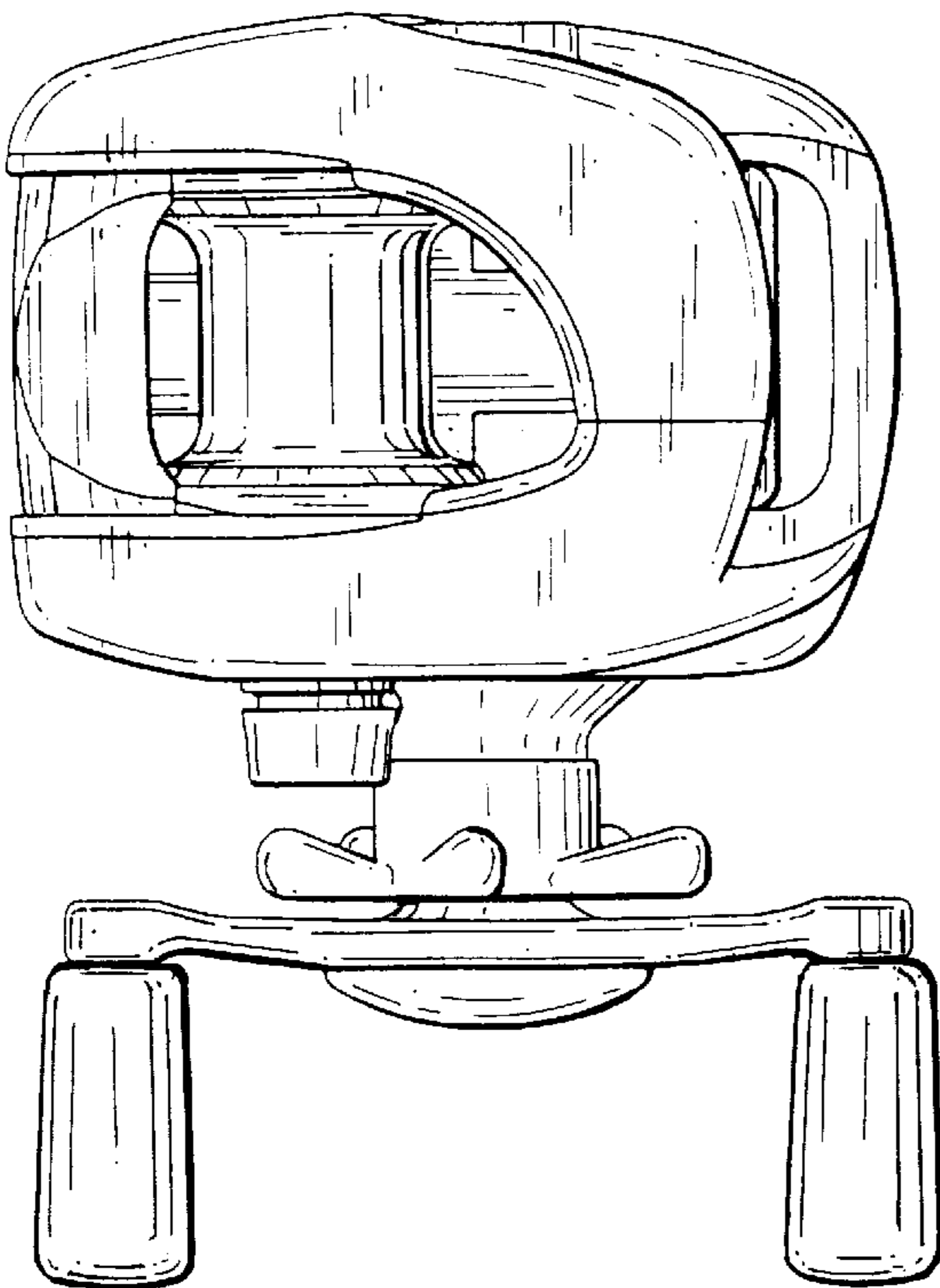


FIG.6

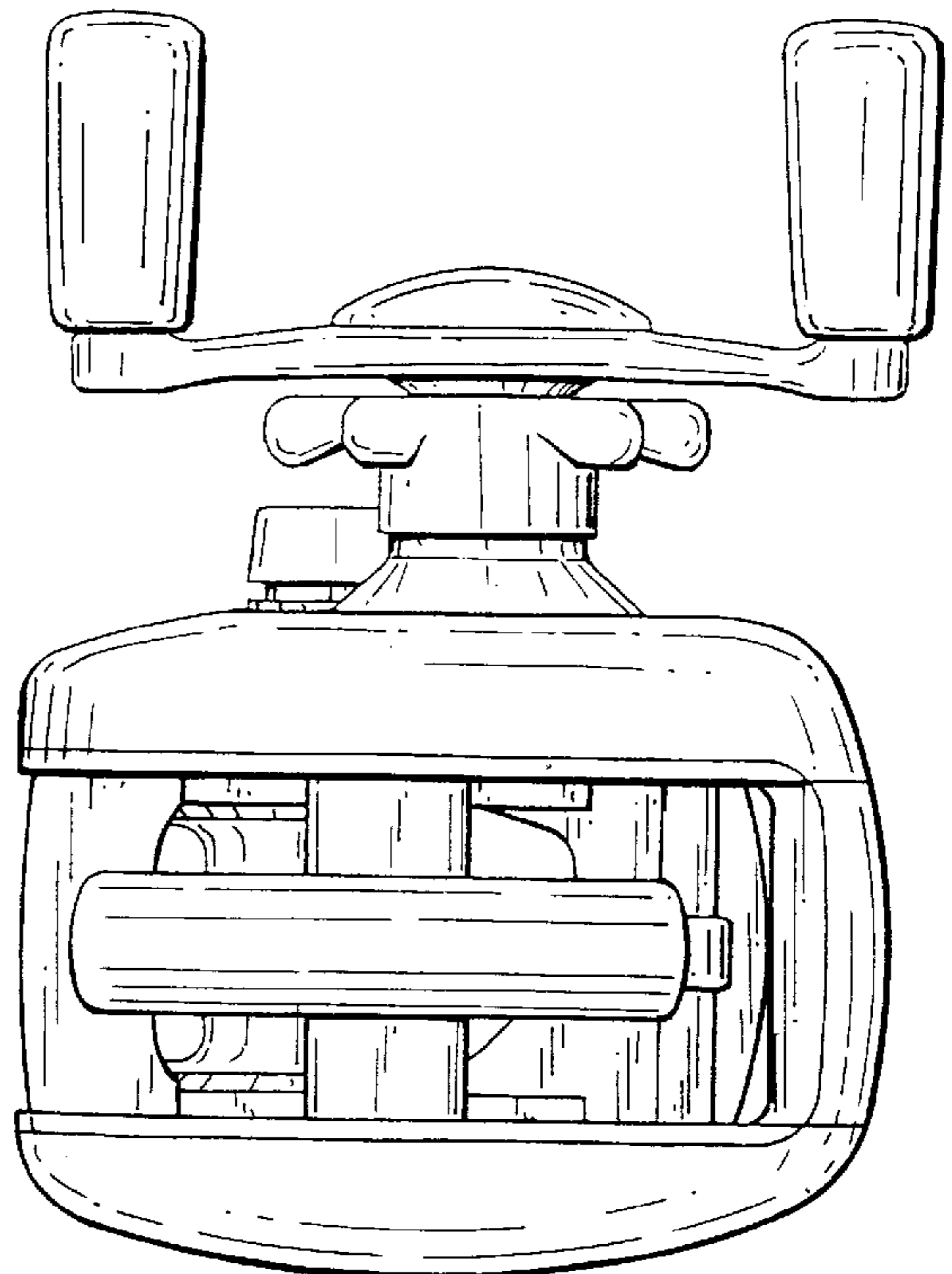


FIG.7

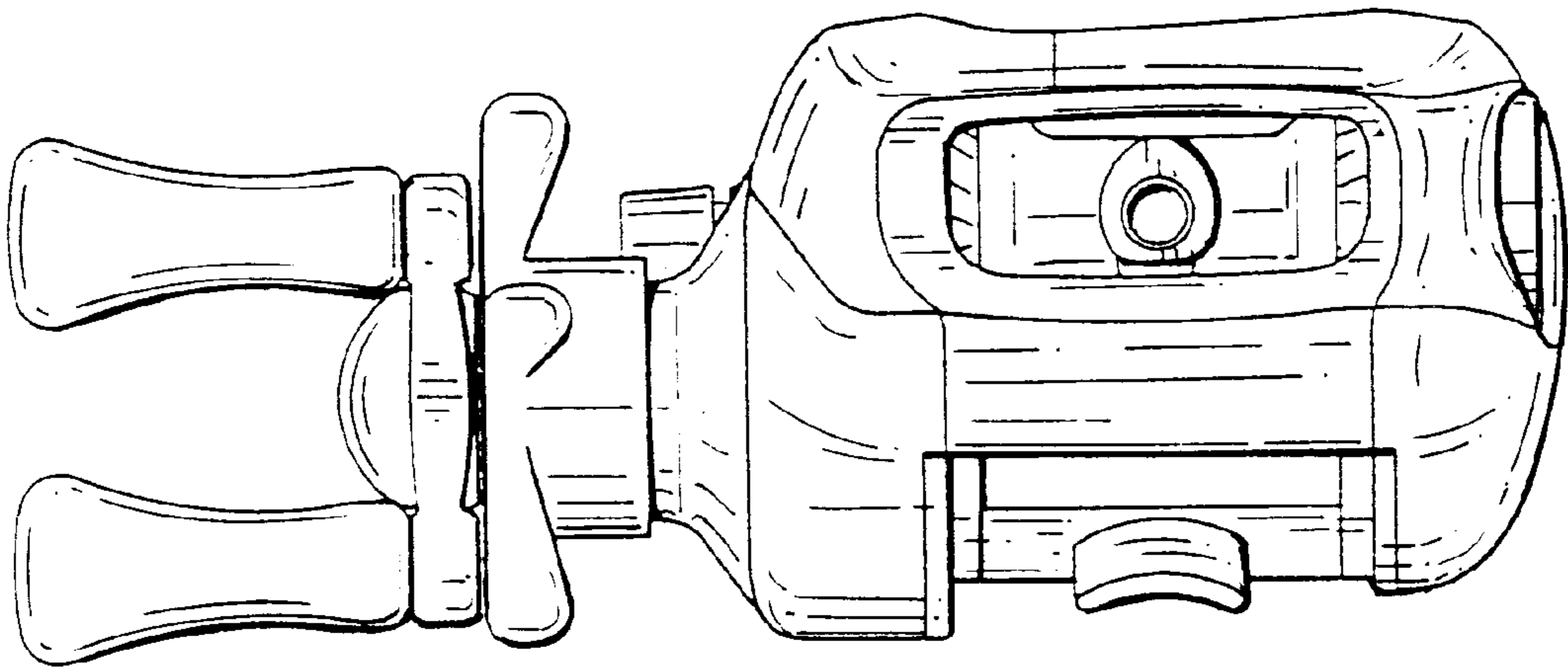


FIG.8

