



US00D422039S

United States Patent [19]
Sienkiewicz

[11] **Patent Number: Des. 422,039**
[45] **Date of Patent: ** Mar. 28, 2000**

[54] **BASKETBALL PRACTICE SHOOTING DEVICE**

[76] Inventor: **Thomas L. Sienkiewicz**, 18 Doylston Dr., Cranston, R.I. 02905

[**] Term: **14 Years**

[21] Appl. No.: **29/093,517**

[22] Filed: **Sep. 11, 1998**

[51] **LOC (6) Cl.** **21-99**

[52] **U.S. Cl.** **D21/702**

[58] **Field of Search** D21/702, 698, D21/699, 701, 705; 273/298, 400, 401, 402; 473/447, 448, 479, 483, 485

[56] **References Cited**

U.S. PATENT DOCUMENTS

D. 110,225	6/1938	Schutt	D21/702
D. 277,884	3/1985	Offutt	D21/702
D. 312,856	12/1990	Boyd, Jr. et al.	D21/702
2,194,779	3/1940	Albach	473/485
2,278,616	4/1942	Kettering	473/485
5,524,881	6/1996	Edward	473/447

Primary Examiner—Terry A. Wallace
Attorney, Agent, or Firm—Robert J. Doherty

[57] **CLAIM**

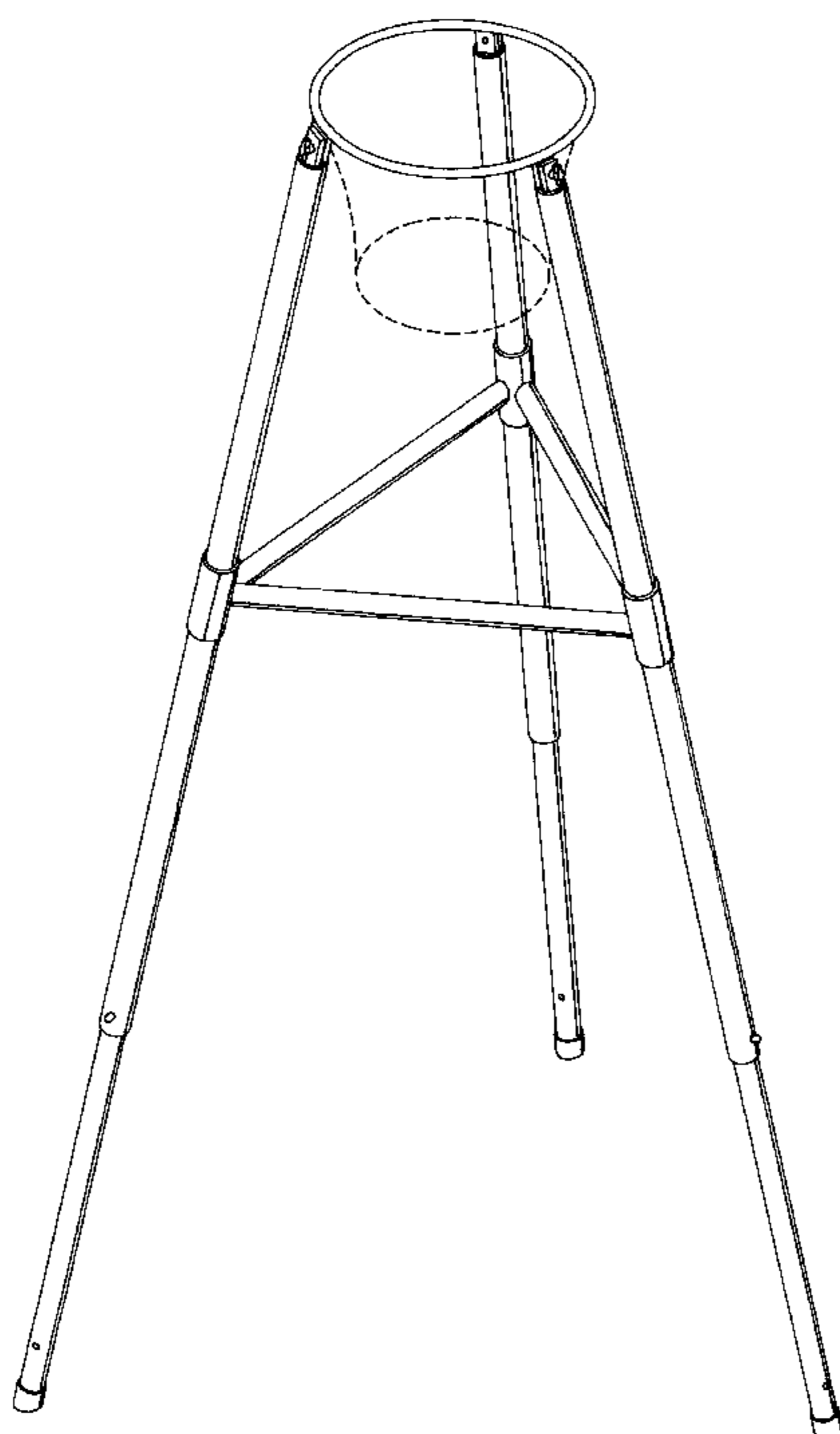
The ornamental design for a basketball practice shooting device, as shown and described.

DESCRIPTION

FIG. 1 is a front perspective view of a basketball practice shooting device showing my new design;
 FIG. 2 is a front perspective view of the basketball practice shooting device shown in FIG. 1 elevated to a higher level;
 FIG. 3 is a front elevational view of FIG. 1;
 FIG. 4 is a rear elevational view of FIG. 1;
 FIG. 5 is a right side elevational view of FIG. 1;
 FIG. 6 is a left side elevational view of FIG. 1;
 FIG. 7 is a top view of FIG. 1;
 FIG. 8 is a bottom view of FIG. 1;
 FIG. 9 is a front perspective view of a modified form of a basketball practice shooting device from that shown in FIG. 1;
 FIG. 10 is a front perspective view of the basketball practice shooting device shown in FIG. 9 elevated to a higher level;
 FIG. 11 is a front elevational view of FIG. 9;
 FIG. 12 is a rear elevational view of FIG. 9;
 FIG. 13 is a right side elevational view of FIG. 9;
 FIG. 14 is a left side elevational view of FIG. 9;
 FIG. 15 is a top view of FIG. 9;
 FIG. 16 is a bottom view of FIG. 9;
 FIG. 17 is a front perspective view of a modified form of a basketball practice shooting device from that shown in FIG. 1;
 FIG. 18 is a front perspective view of the basketball practice shooting device shown in FIG. 17 elevated to a higher level;
 FIG. 19 is a front elevational view of FIG. 17;
 FIG. 20 is a rear elevational view of FIG. 17;
 FIG. 21 is a right side elevational view of FIG. 17;
 FIG. 22 is a left side elevational view of FIG. 17;
 FIG. 23 is a top view of FIG. 17; and,
 FIG. 24 is a bottom view of FIG. 17.

The dotted line showing of a net in FIGS. 1, 2, 9, 10, 17 and 18 is for illustrative purposes and form no part of the claimed design.

1 Claim, 21 Drawing Sheets



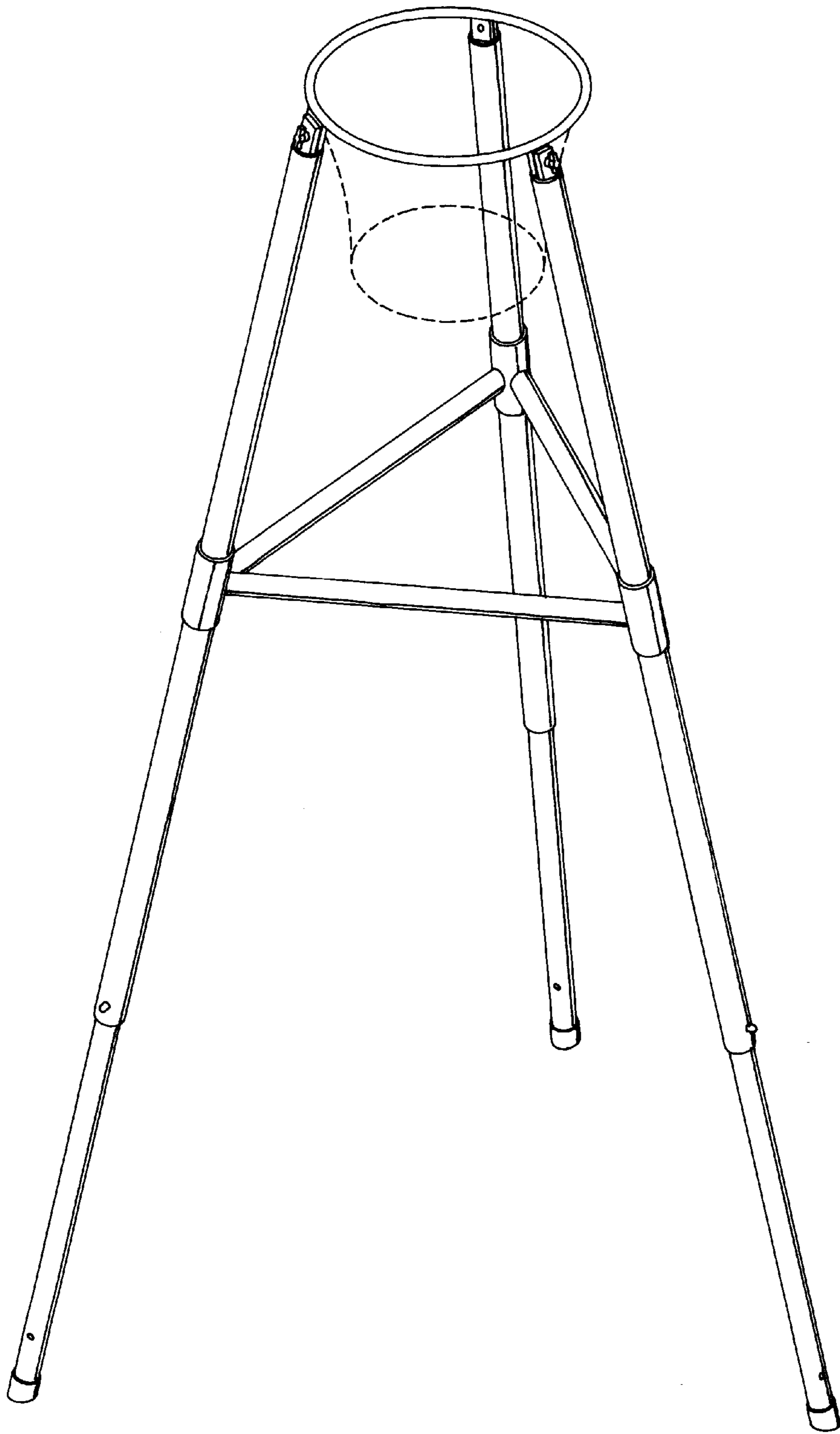


FIG. 1

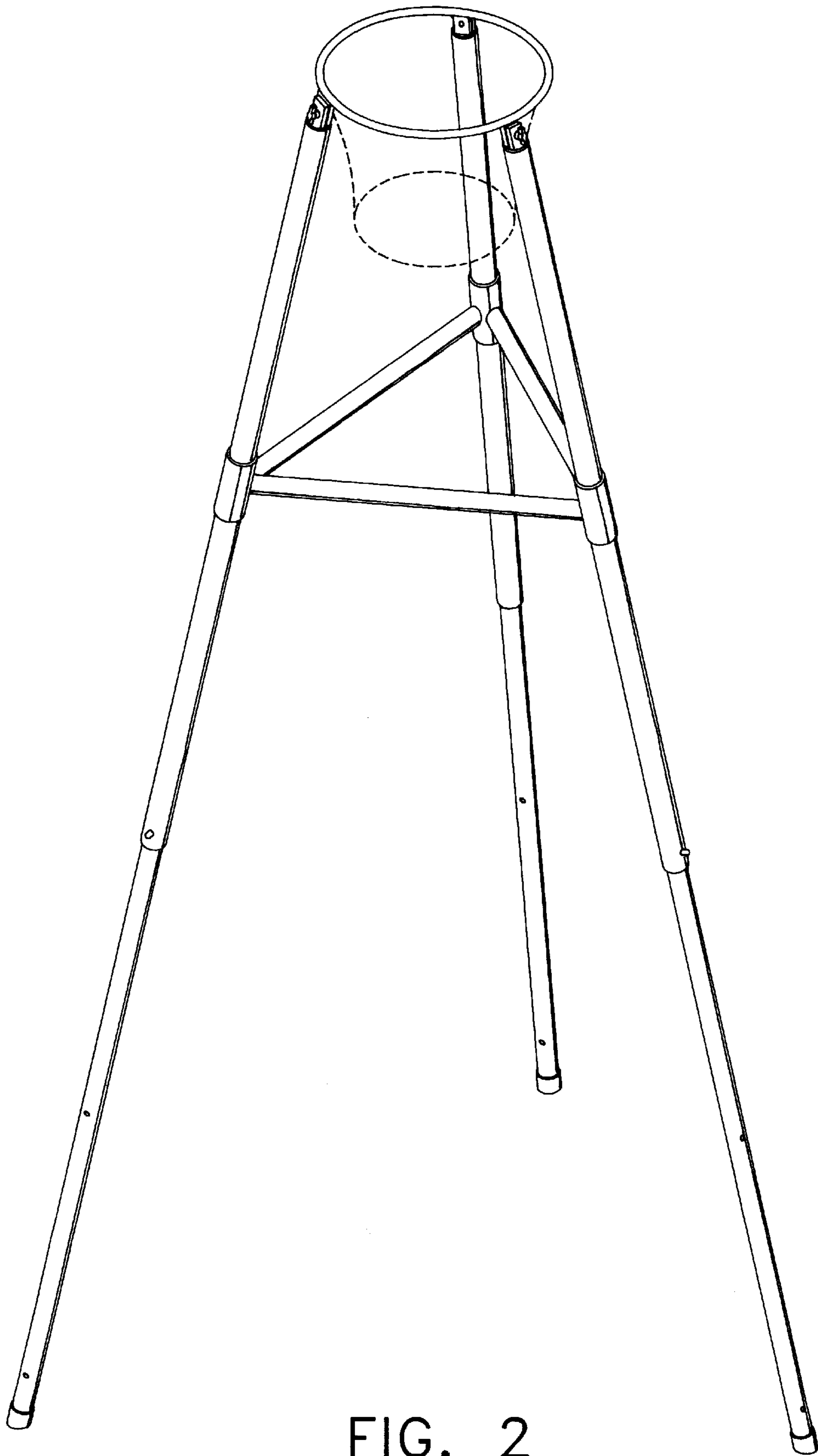


FIG. 2

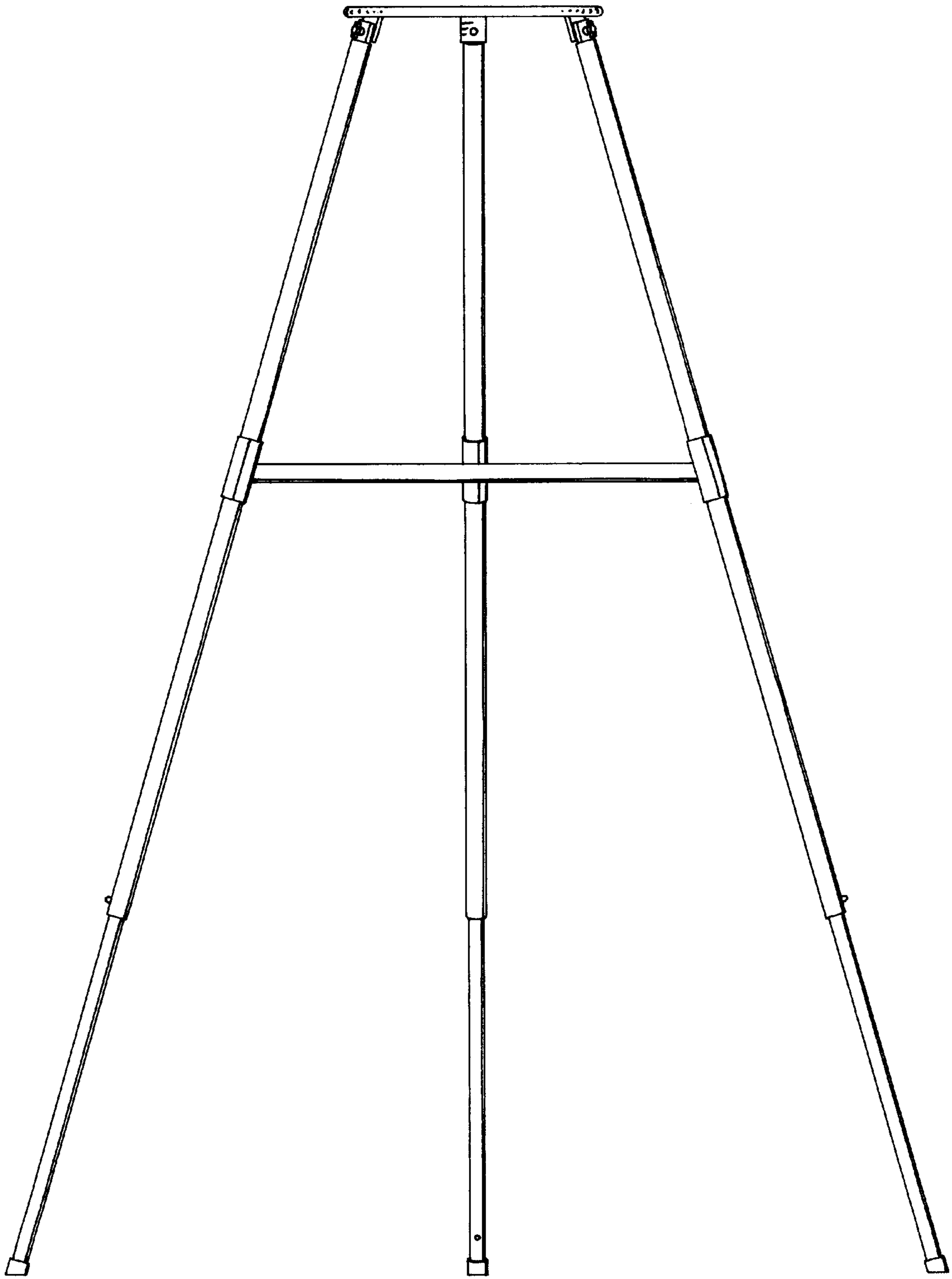


FIG. 3

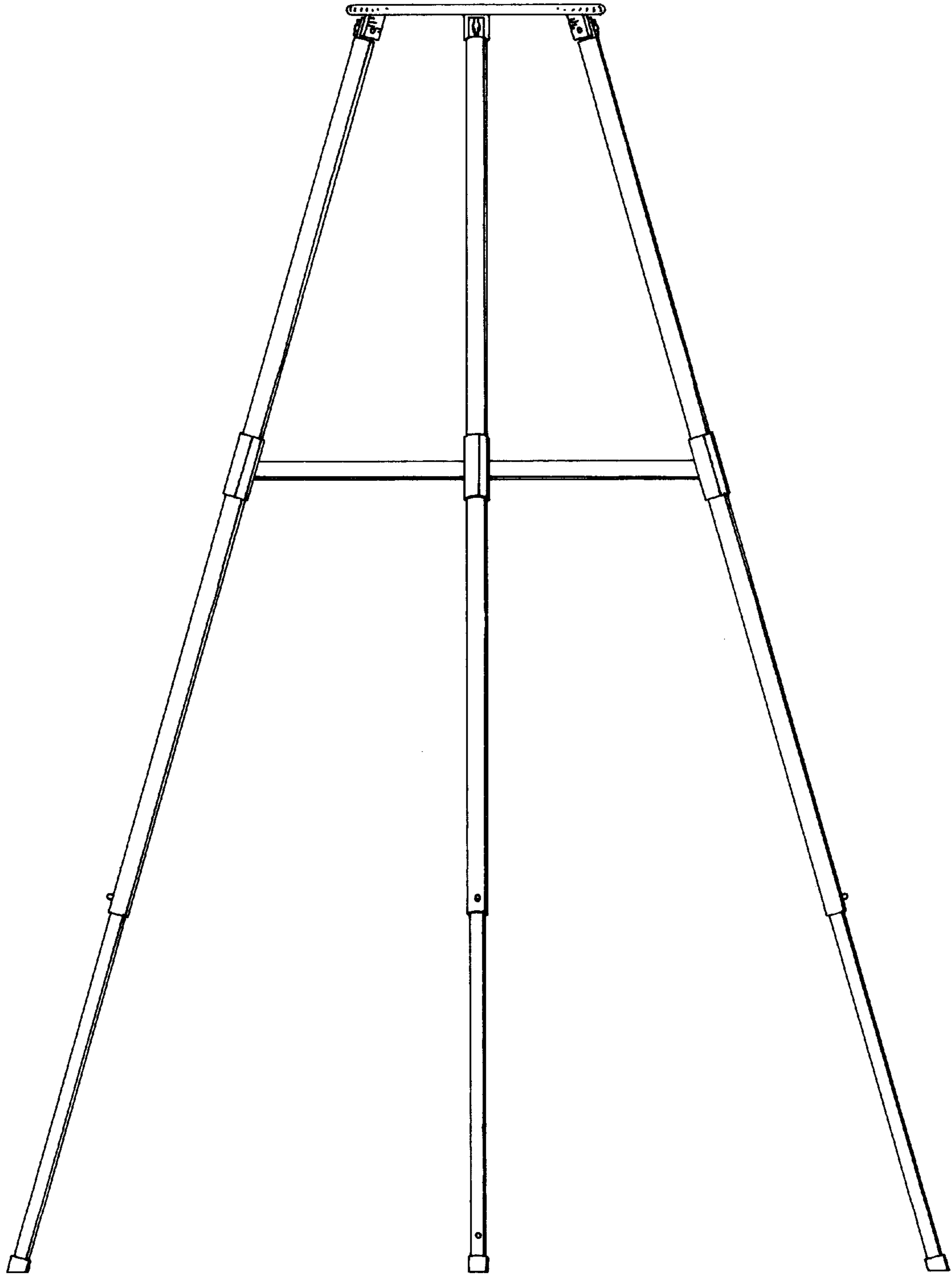


FIG. 4

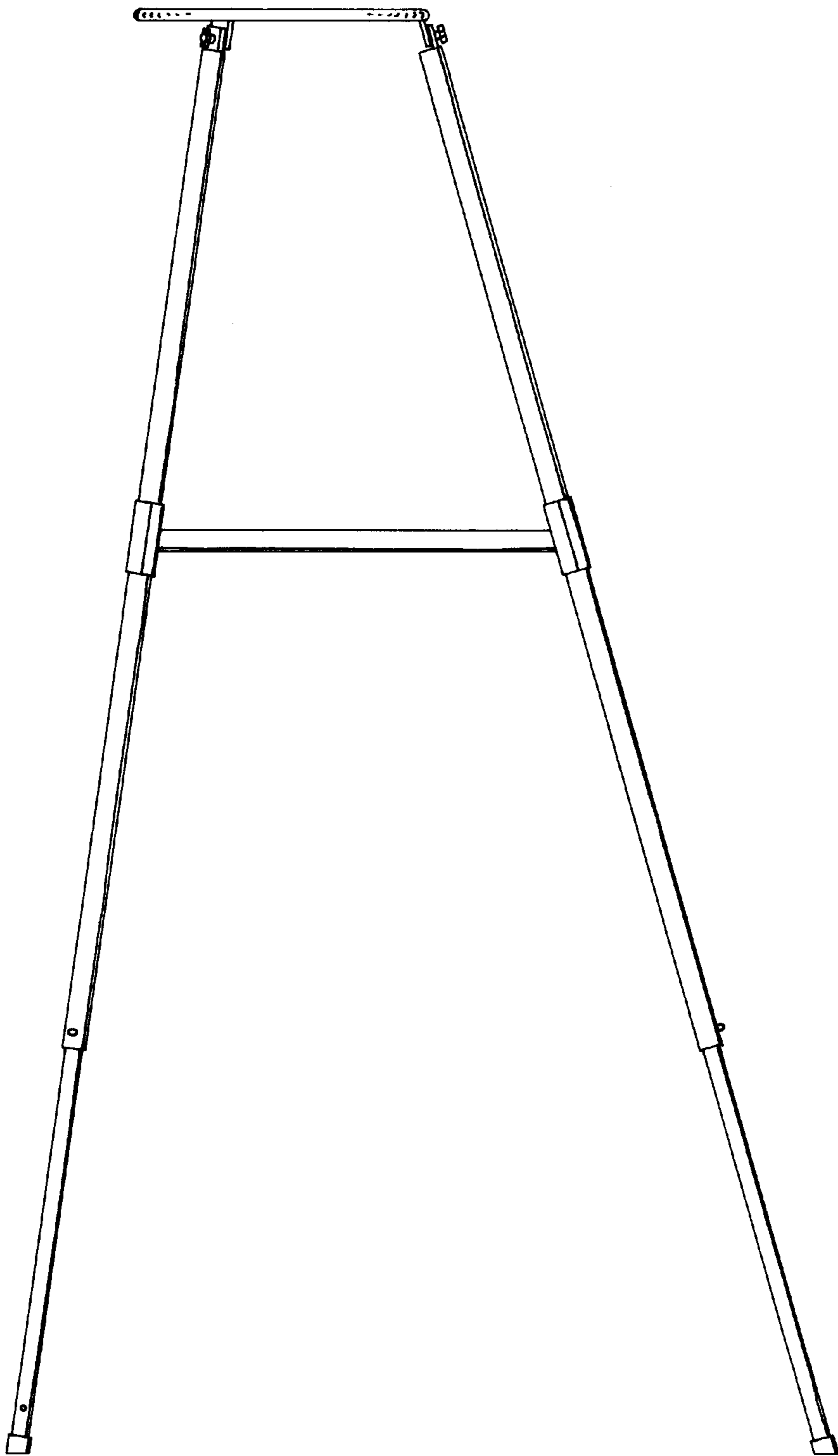


FIG. 5

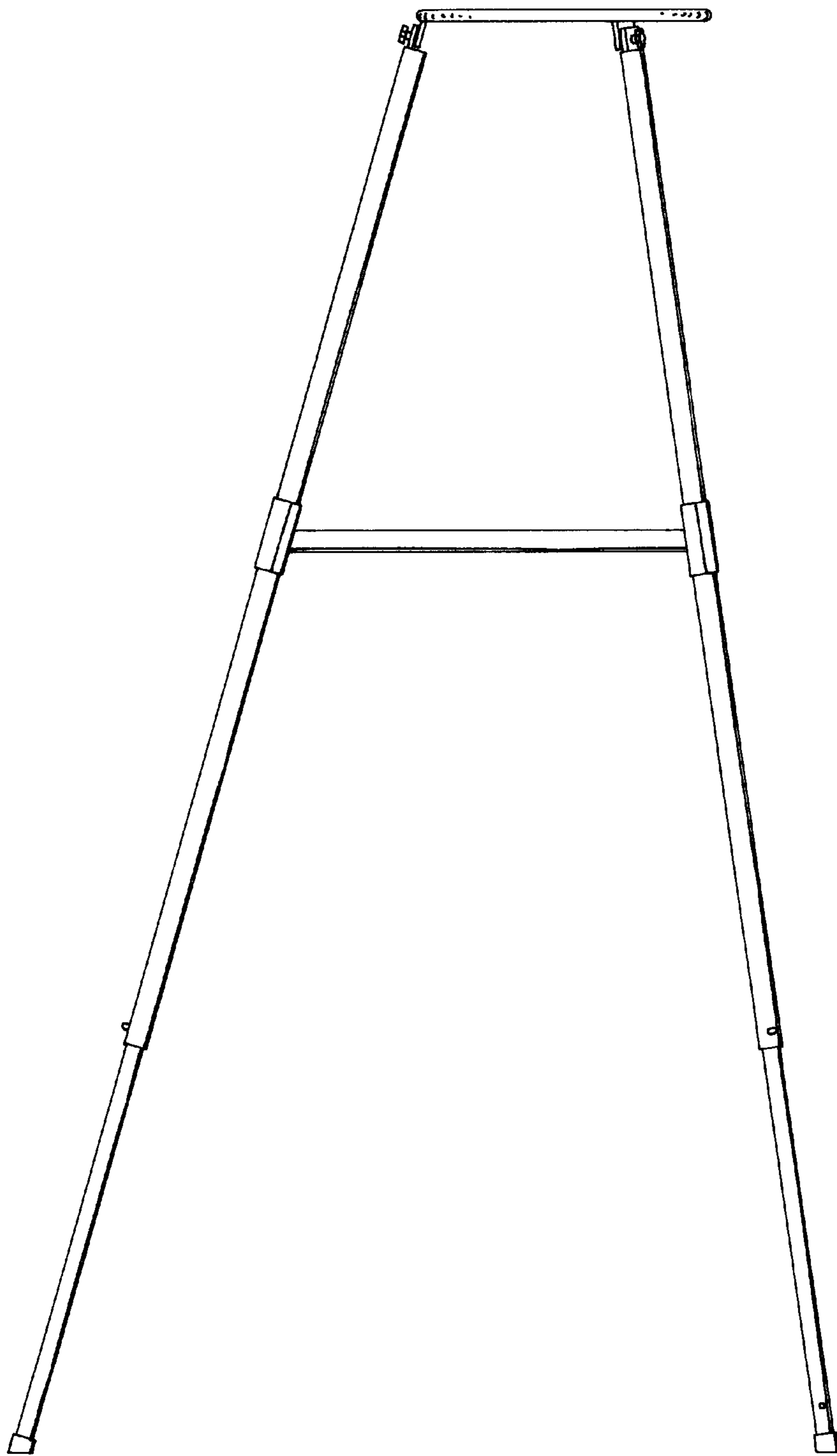


FIG. 6

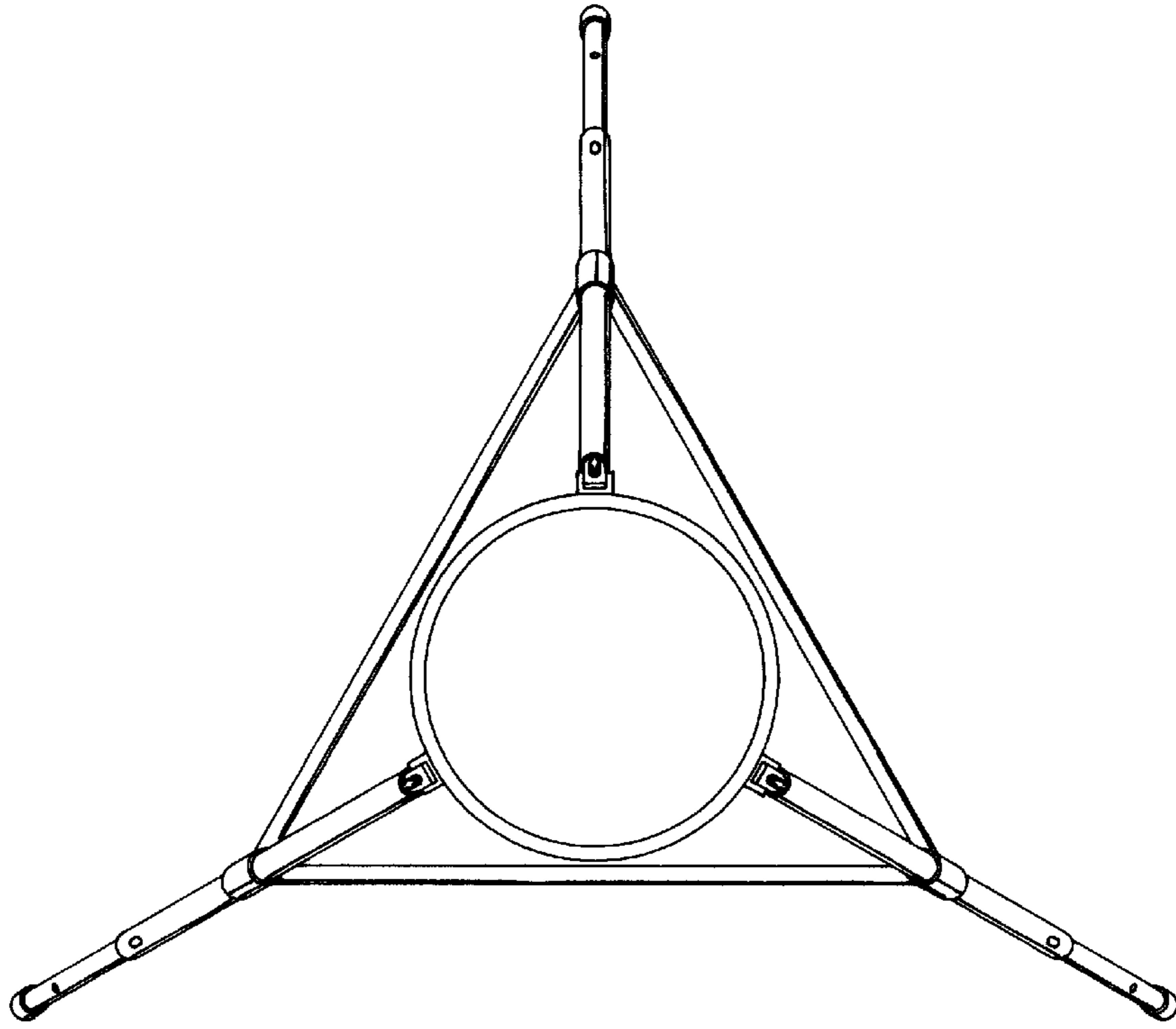


FIG. 7

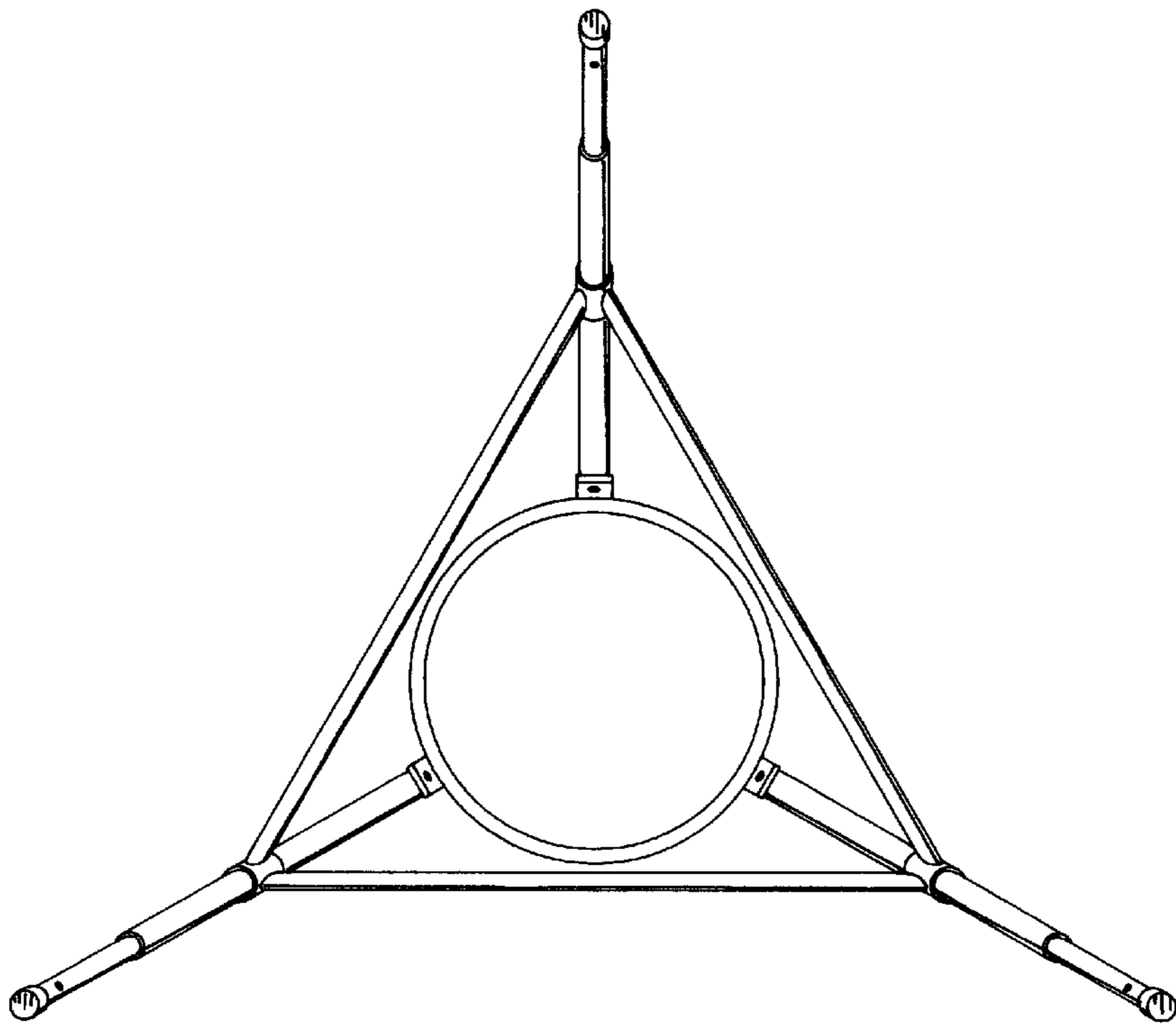


FIG. 8

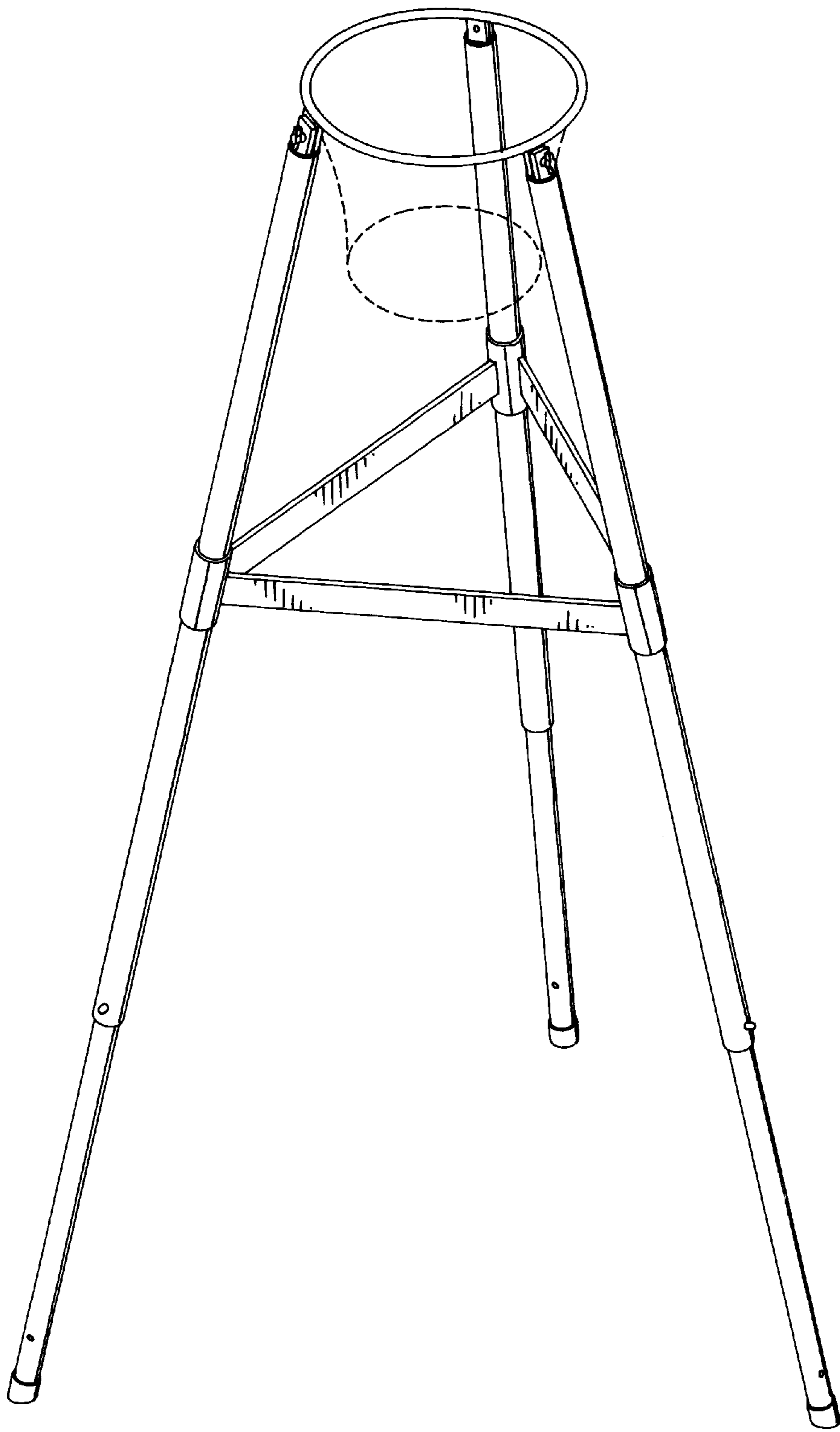


FIG. 9

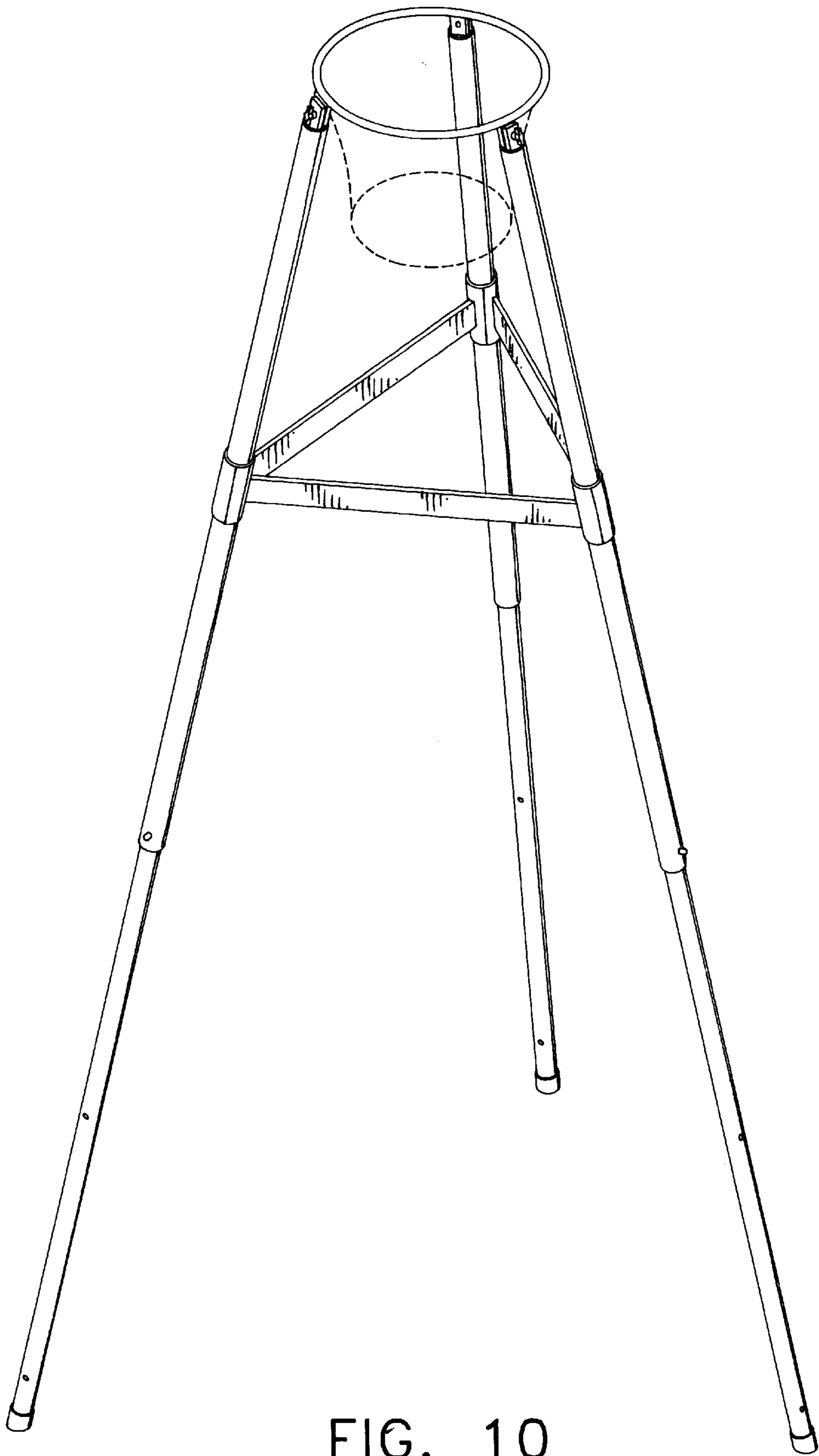


FIG. 10

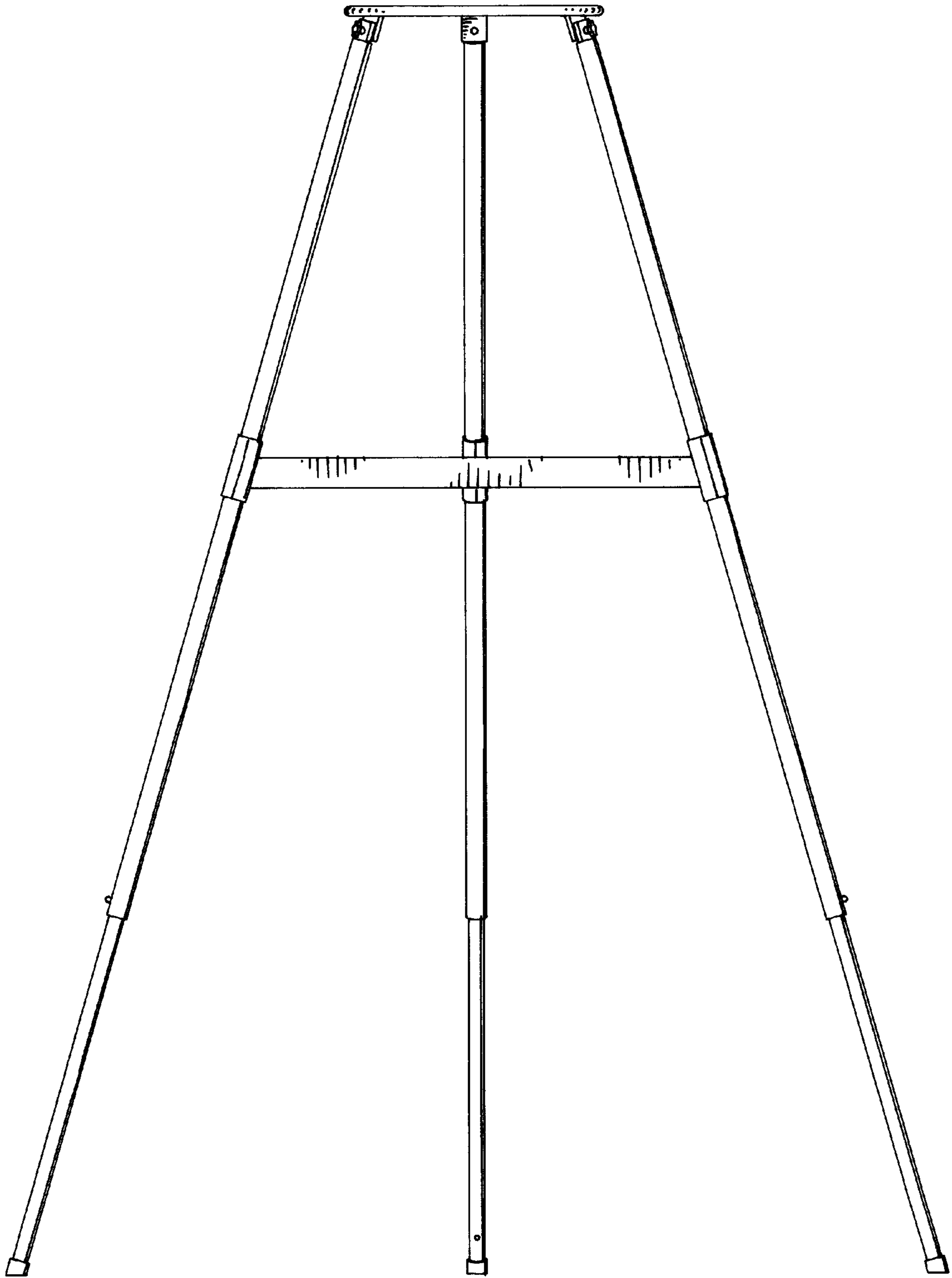


FIG. 11

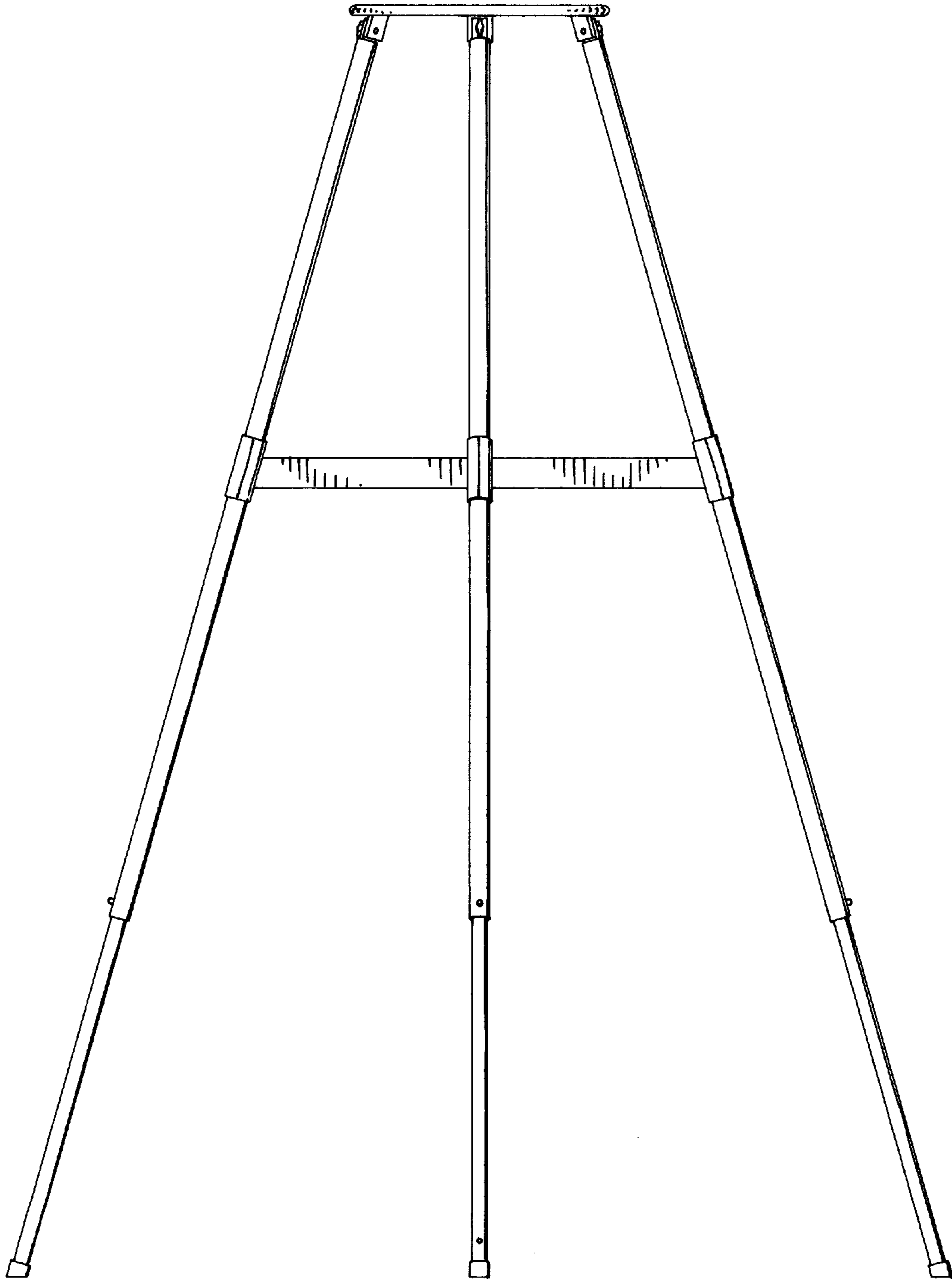


FIG. 12

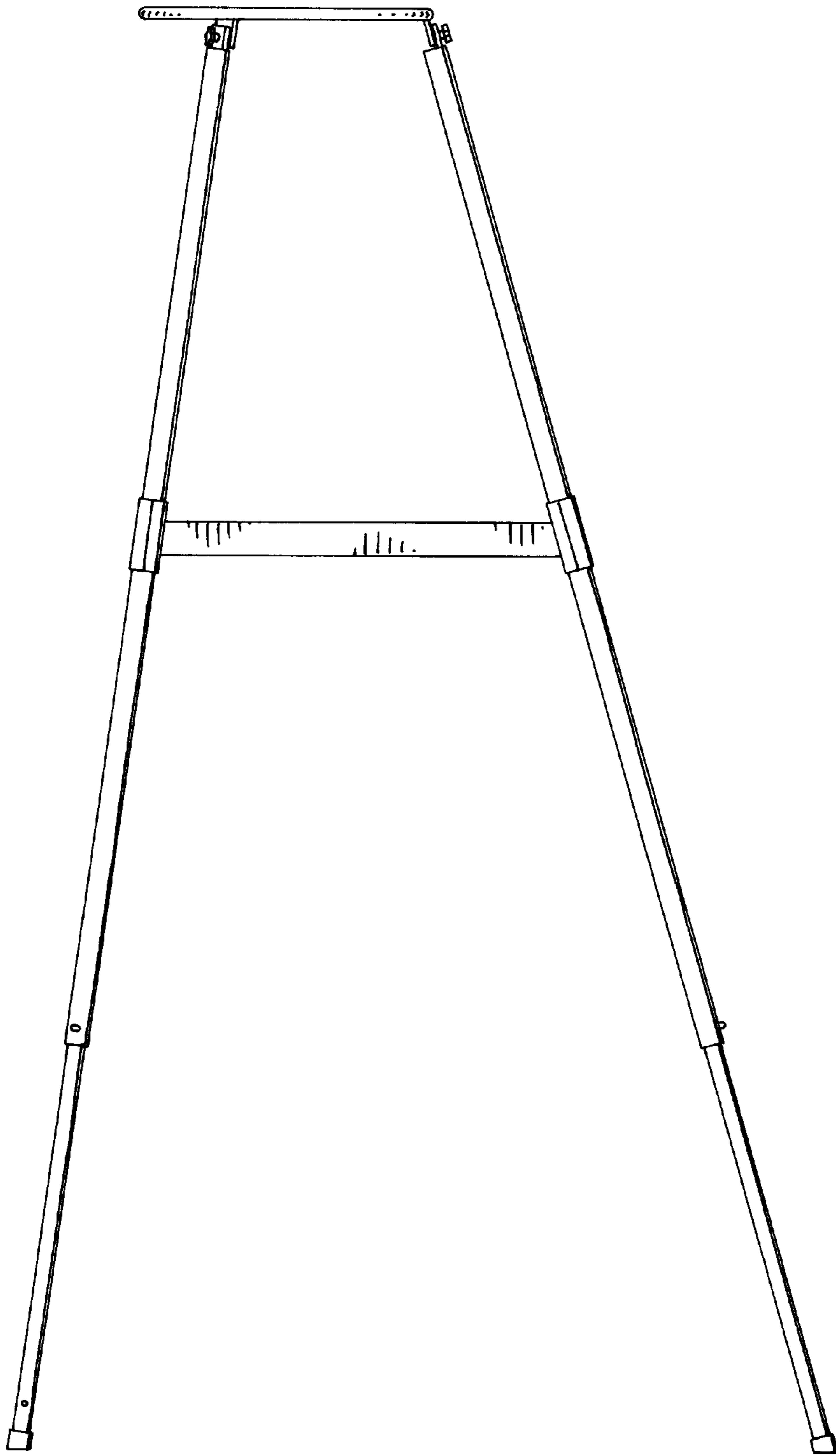


FIG. 13

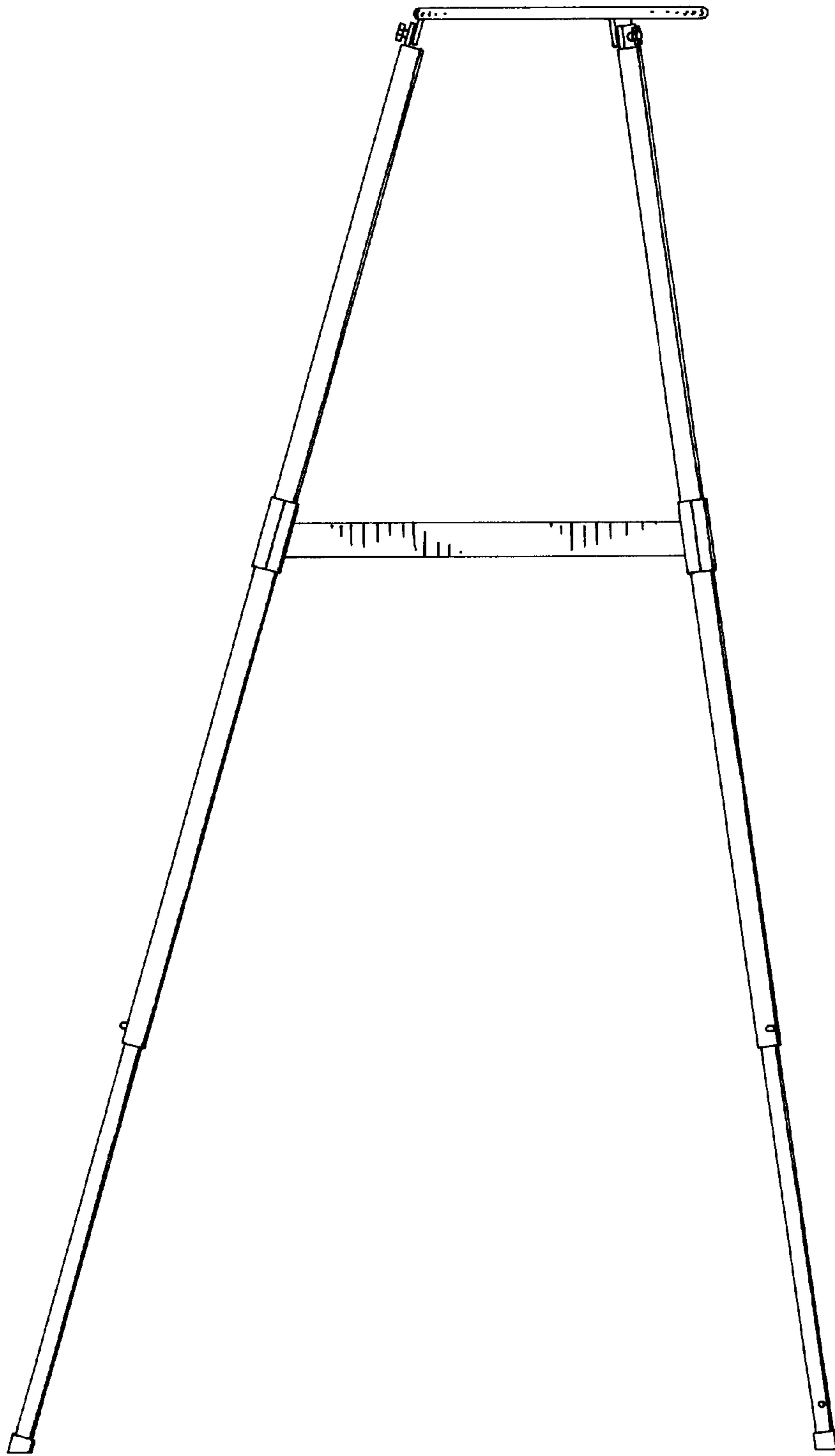


FIG. 14

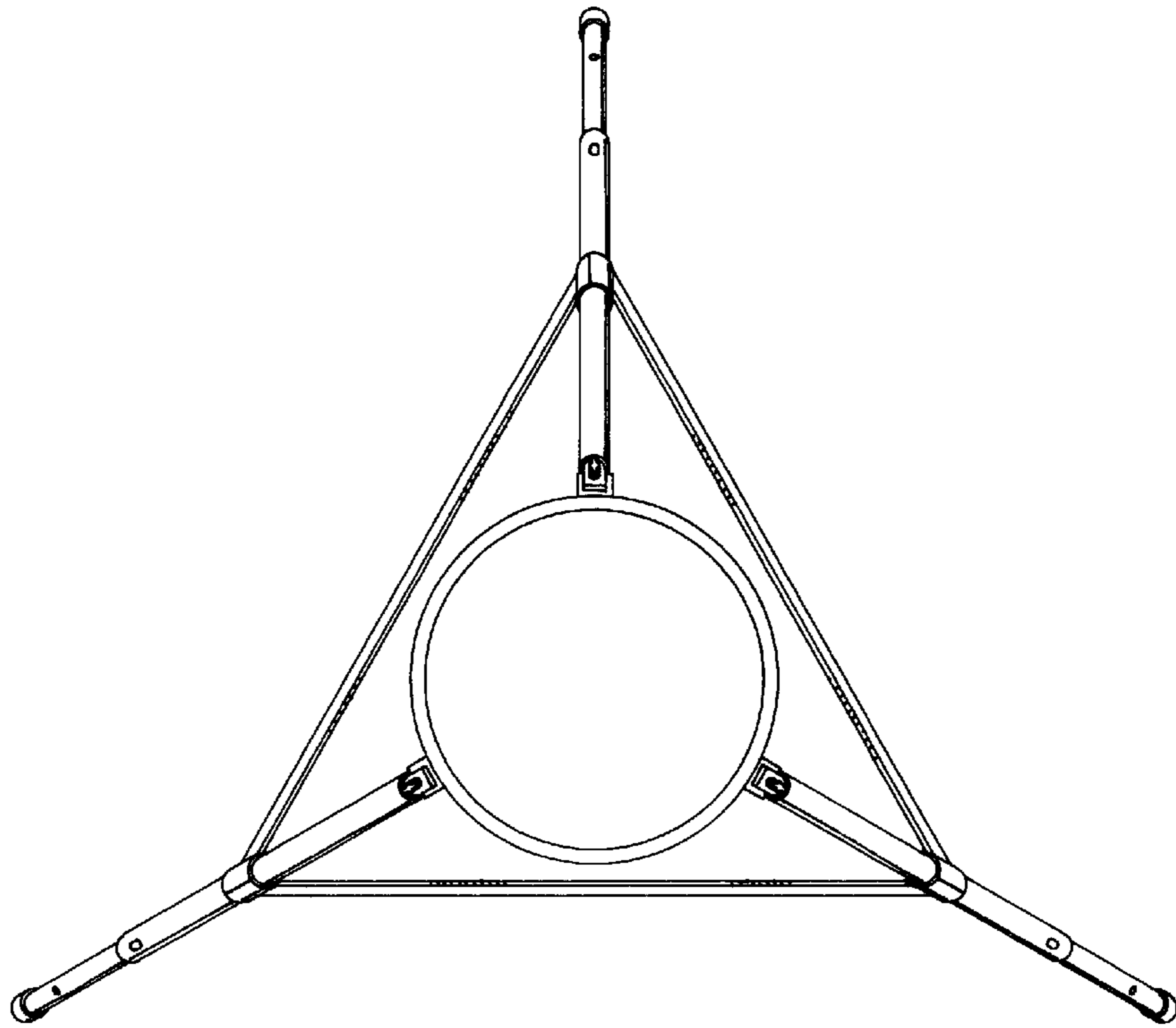


FIG. 15

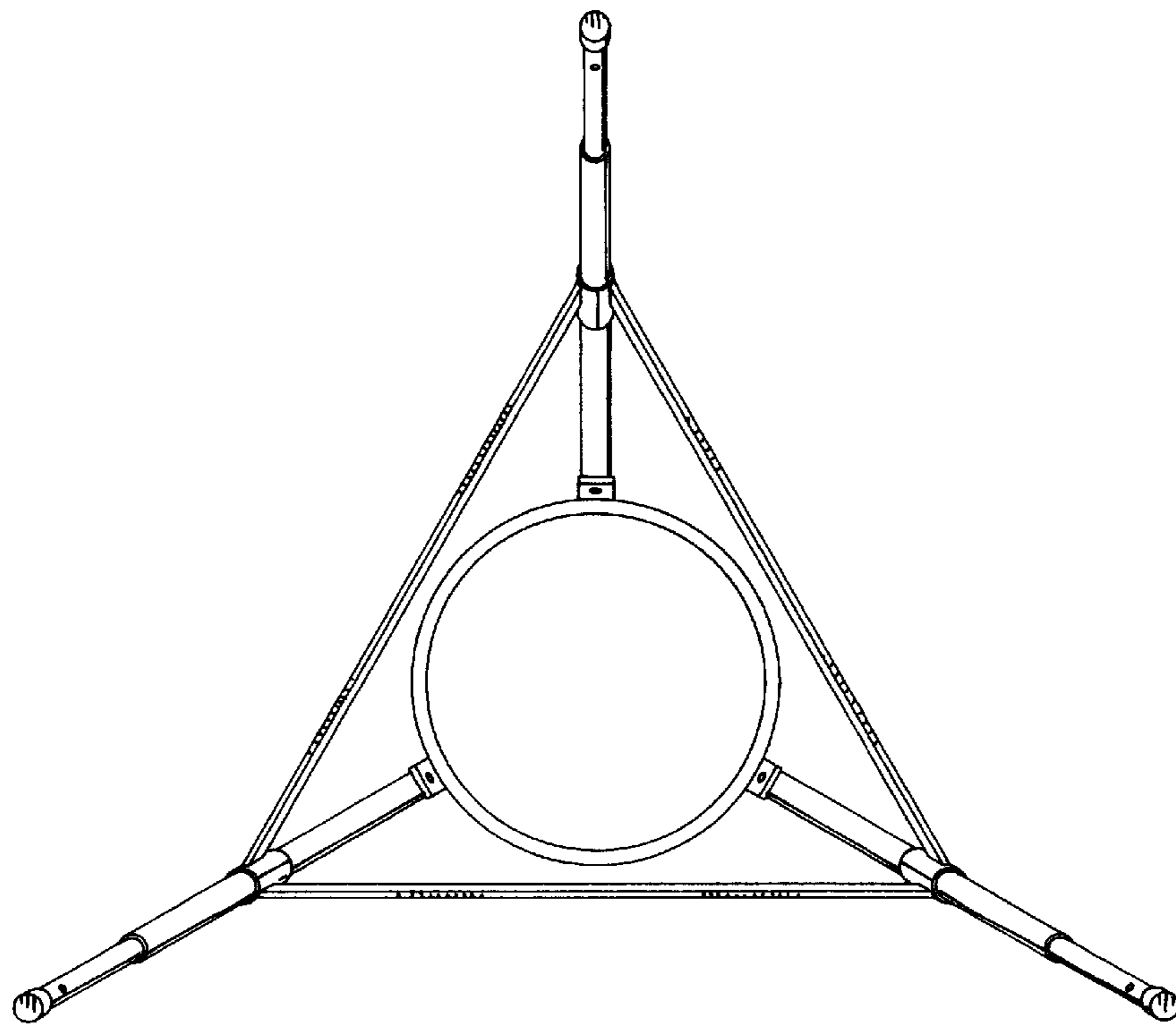


FIG. 16

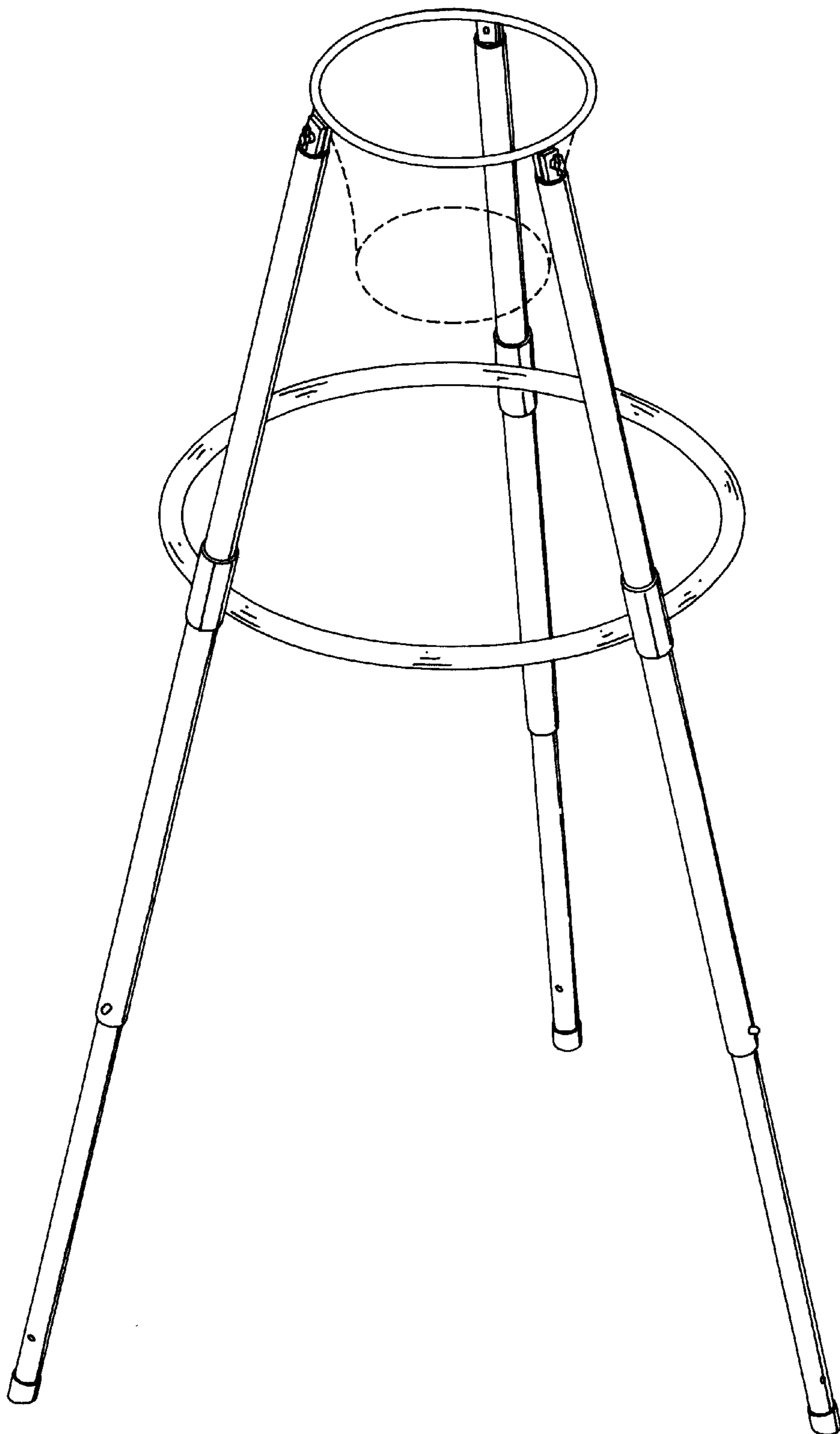


FIG. 17



FIG. 18

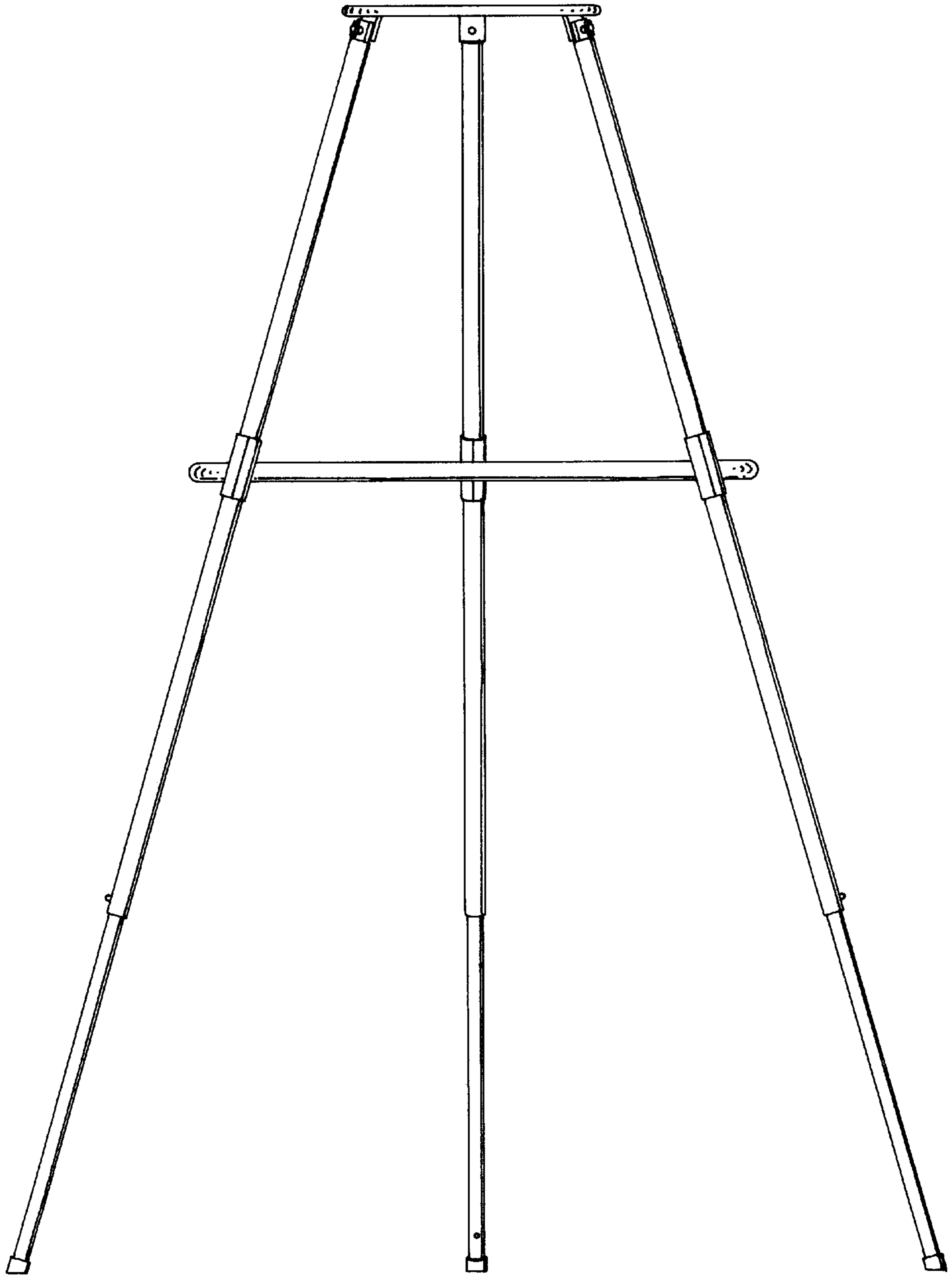


FIG. 19

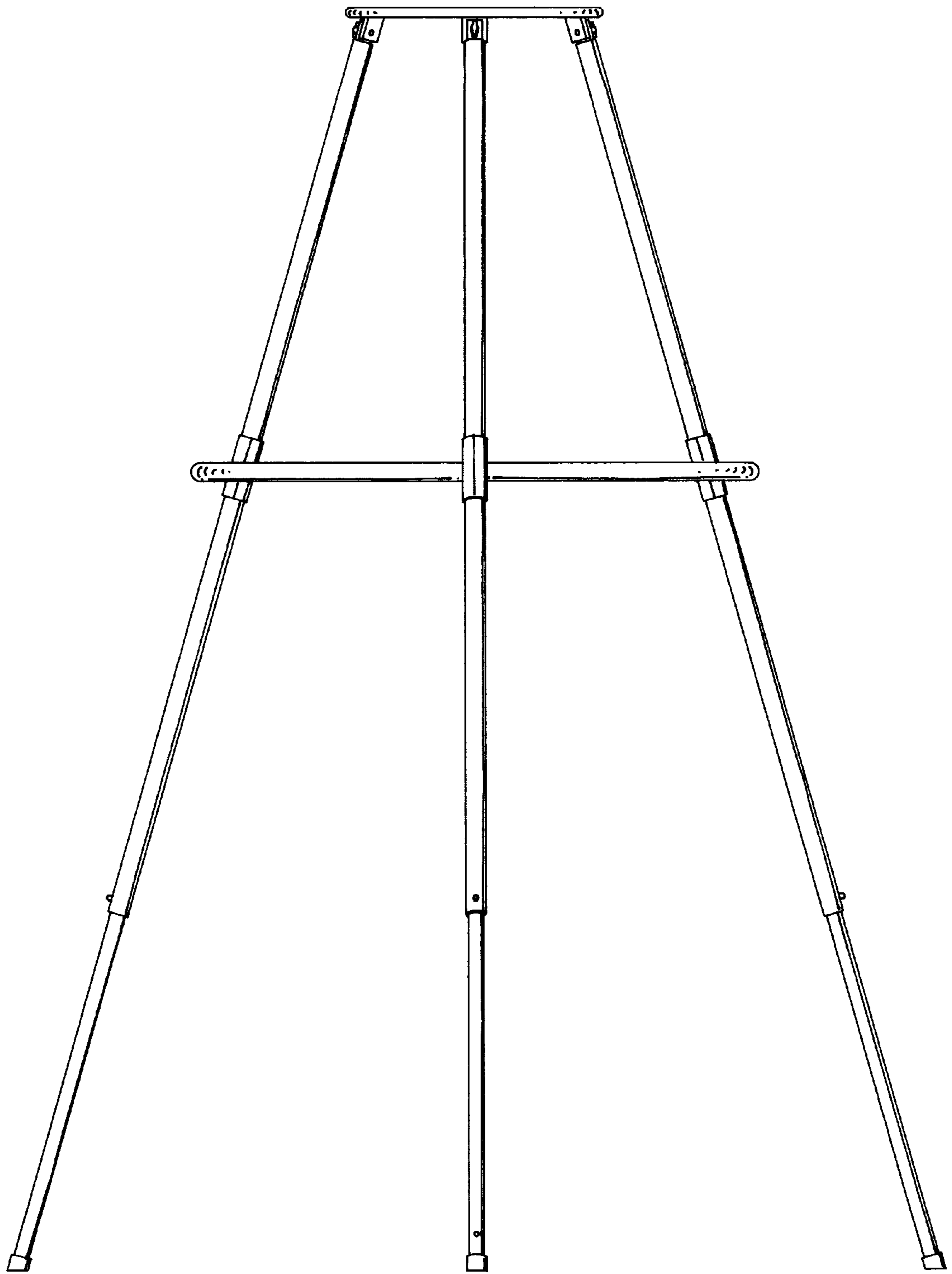


FIG. 20

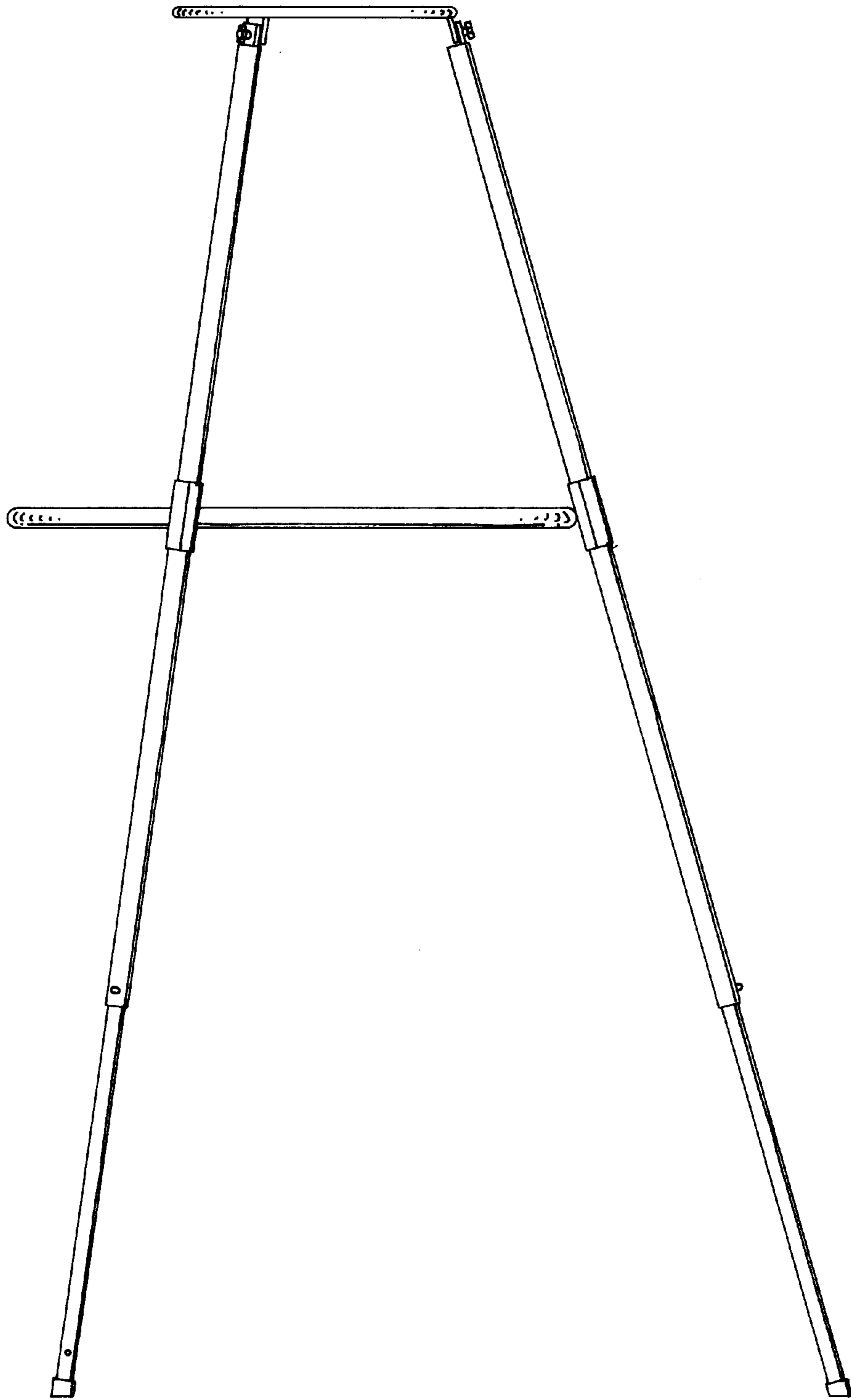


FIG. 21

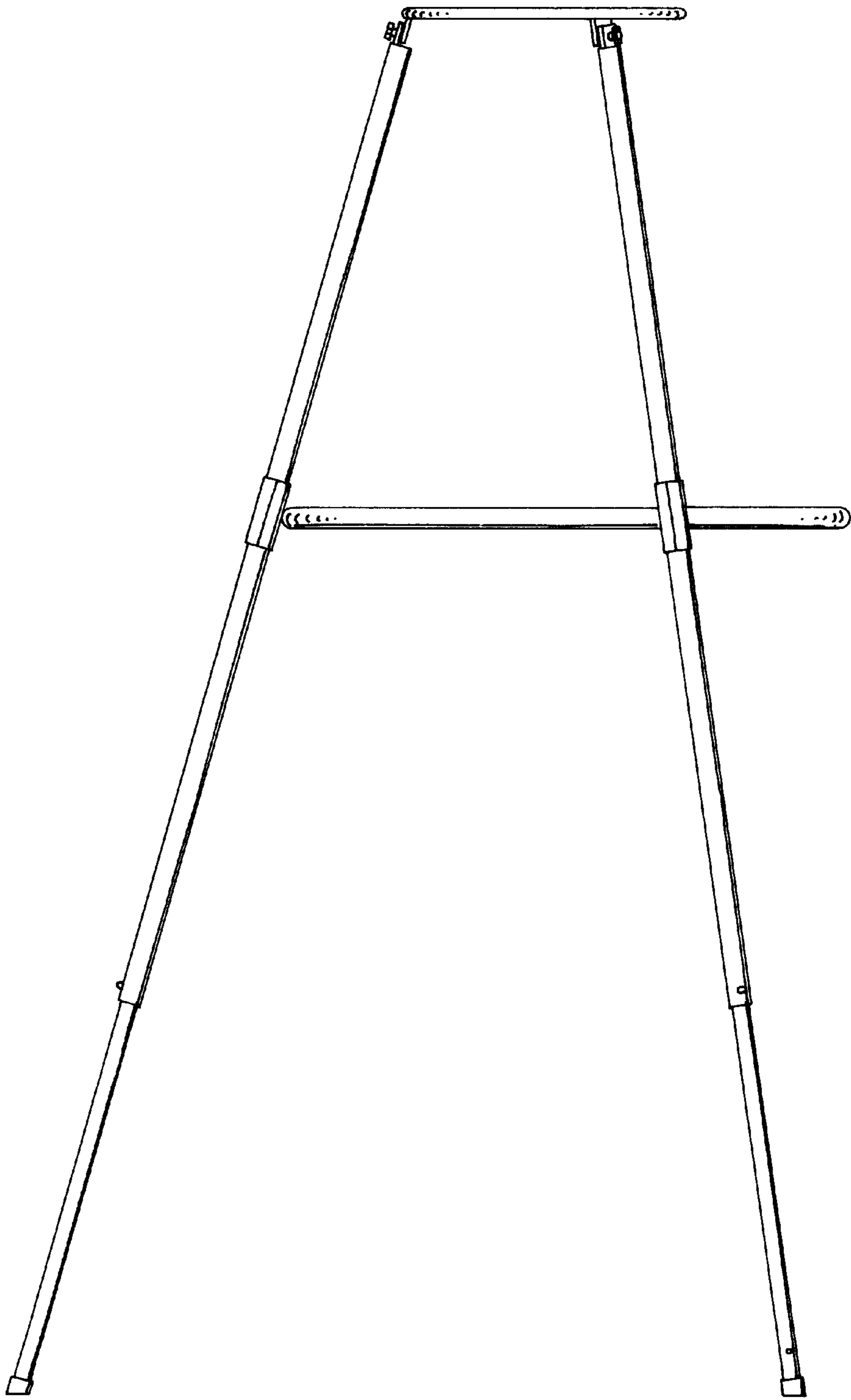


FIG. 22

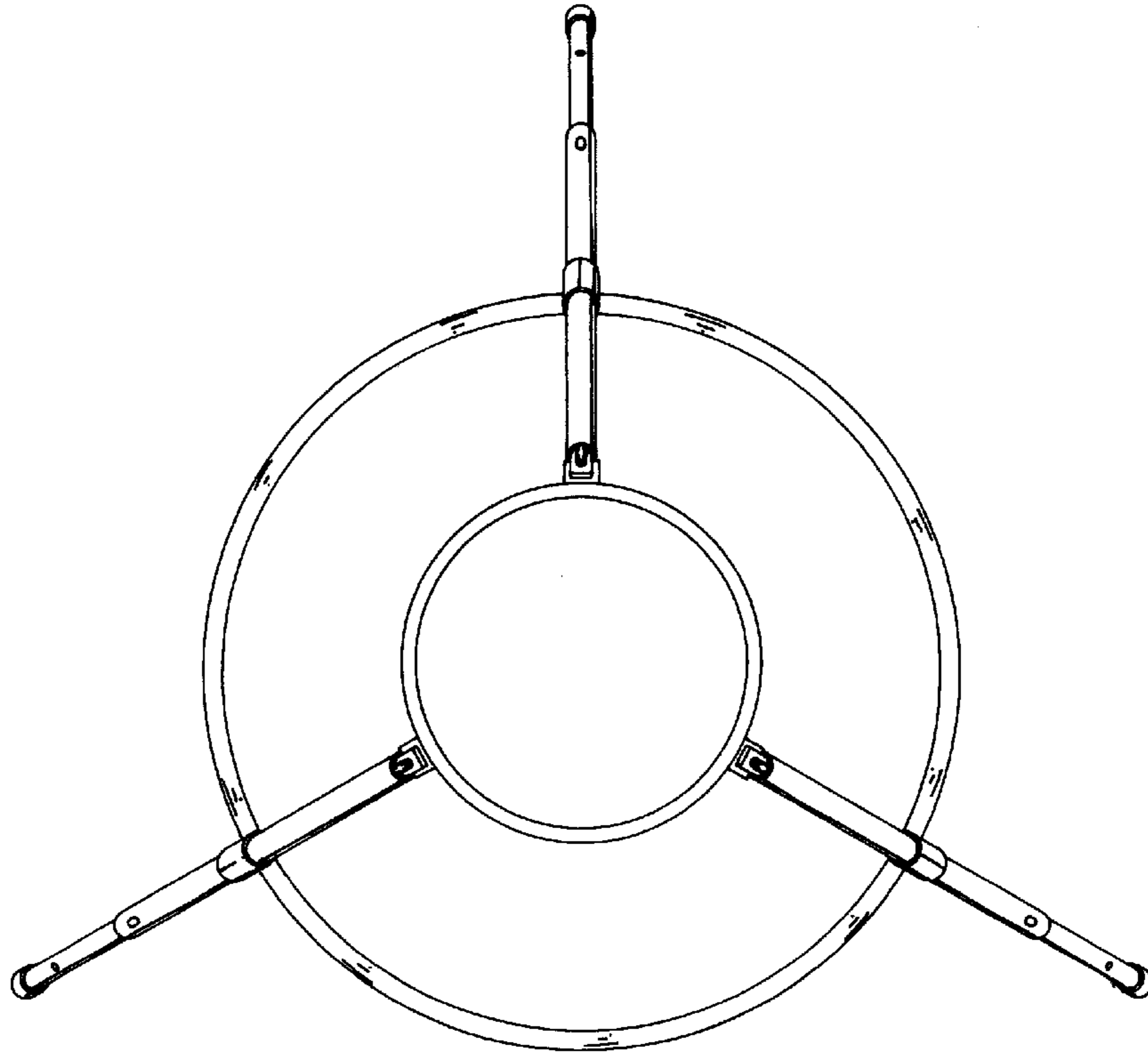


FIG. 23

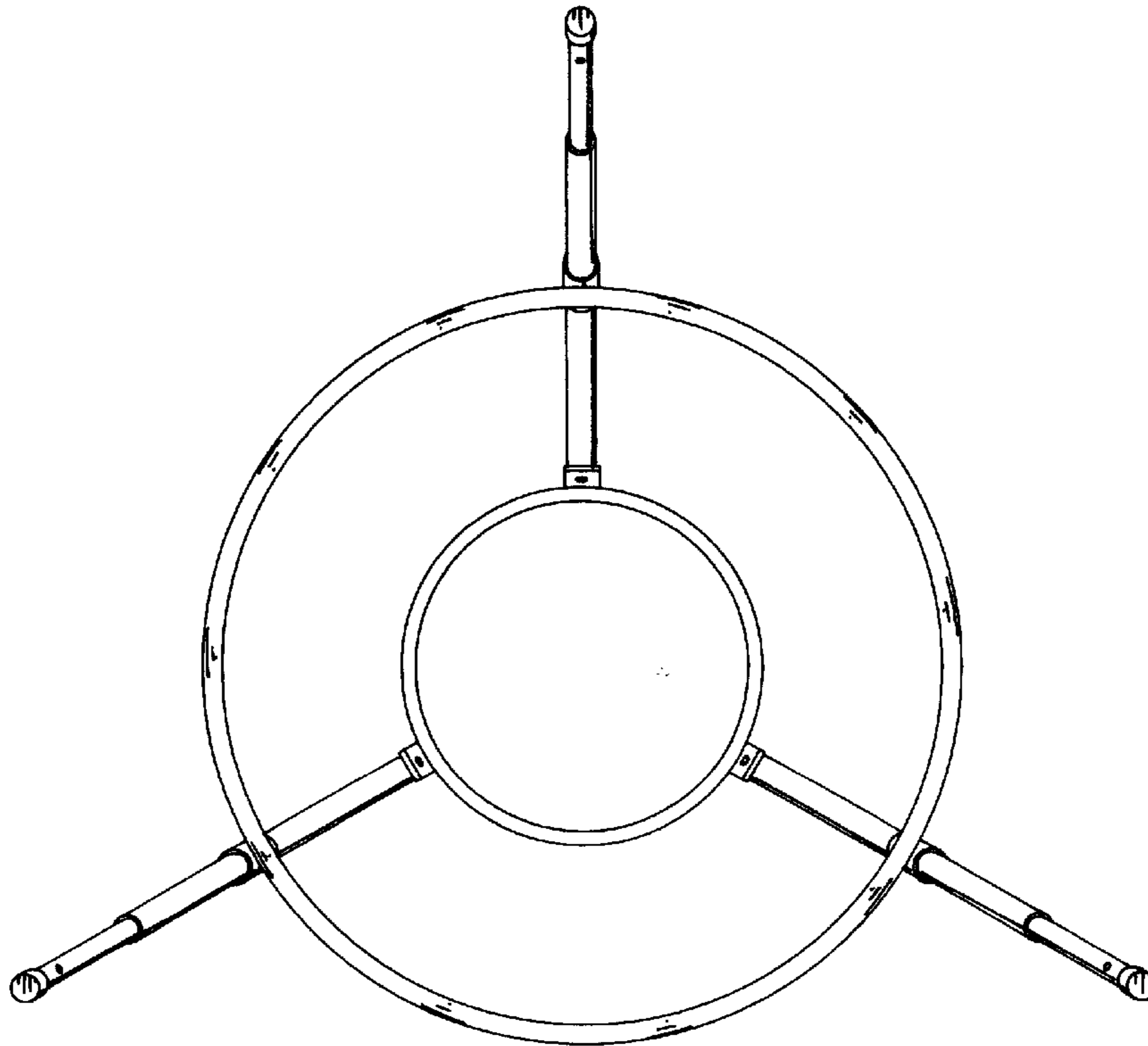


FIG. 24