



US00D422038S

United States Patent [19] Iannetta

[11] **Patent Number: Des. 422,038**

[45] **Date of Patent: ** Mar. 28, 2000**

[54] **THREE WHEELED EXERCISE APPARATUS**

[76] Inventor: **James Iannetta**, 177 Pleasant St.,
Dover-Foxcroft, Me. 04426

[**] Term: **14 Years**

[21] Appl. No.: **29/085,837**

[22] Filed: **Mar. 31, 1998**

Related U.S. Application Data

[63] Continuation-in-part of application No. 29/058,433, Jan. 15, 1996, abandoned.

[51] **LOC (6) Cl.** **21-02**

[52] **U.S. Cl.** **D21/662**

[58] **Field of Search** D21/662; 482/110,
482/132, 44, 91, 131

[56] References Cited

U.S. PATENT DOCUMENTS

D. 248,114	6/1978	Mangiapane	D21/662
D. 306,886	3/1990	Shiek et al.	D21/662
3,403,906	10/1968	Burzenski	482/132

3,616,794	11/1971	Gromala	482/132
3,752,475	8/1973	Ott	482/132
3,938,803	2/1976	Wilmoth et al.	482/132
4,900,017	2/1990	Bold, Jr.	482/132
5,334,118	8/1994	Dantolan	482/110

Primary Examiner—Philip S. Hyder
Attorney, Agent, or Firm—William B. Ritchie; Michael J. Persson

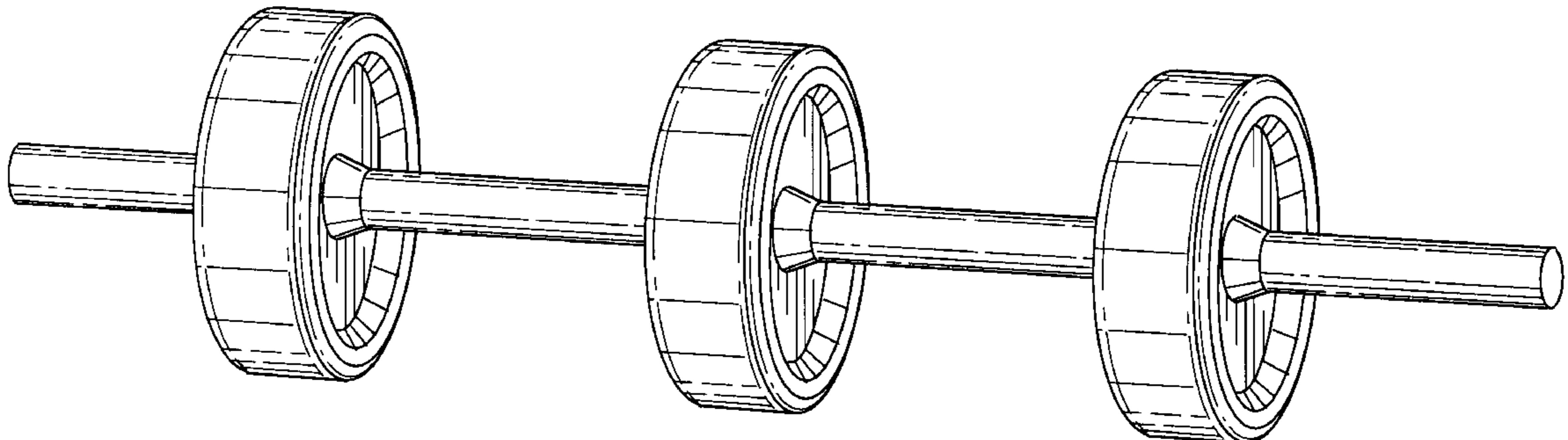
[57] CLAIM

The ornamental design for a three wheeled exercise apparatus, as shown and described.

DESCRIPTION

FIG. 1 is an isometric view of the three wheeled exercise apparatus in accordance with the invention;
FIG. 2 is a front elevational view thereof, wherein the top plan view, the bottom plan view, and the rear elevational view are identical thereto;
FIG. 3 is an enlarged cross-sectional view taken along section line 3—3 of FIG. 2;
FIG. 4 is an enlarged left side elevational view thereof; and,
FIG. 5 is an enlarged right side elevational view thereof.

1 Claim, 5 Drawing Sheets



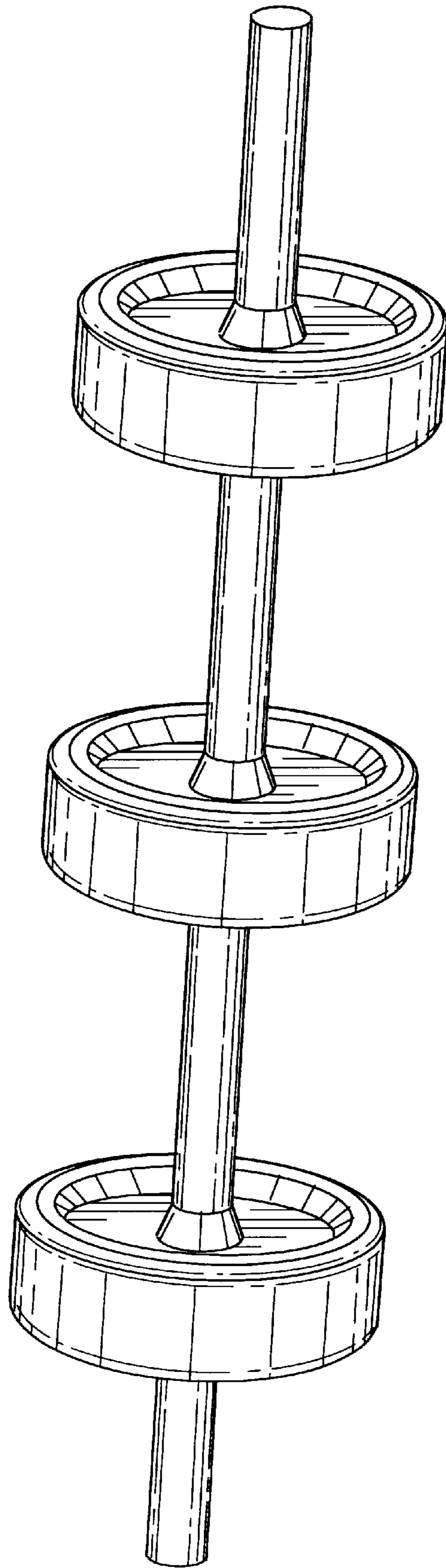


FIG. 1

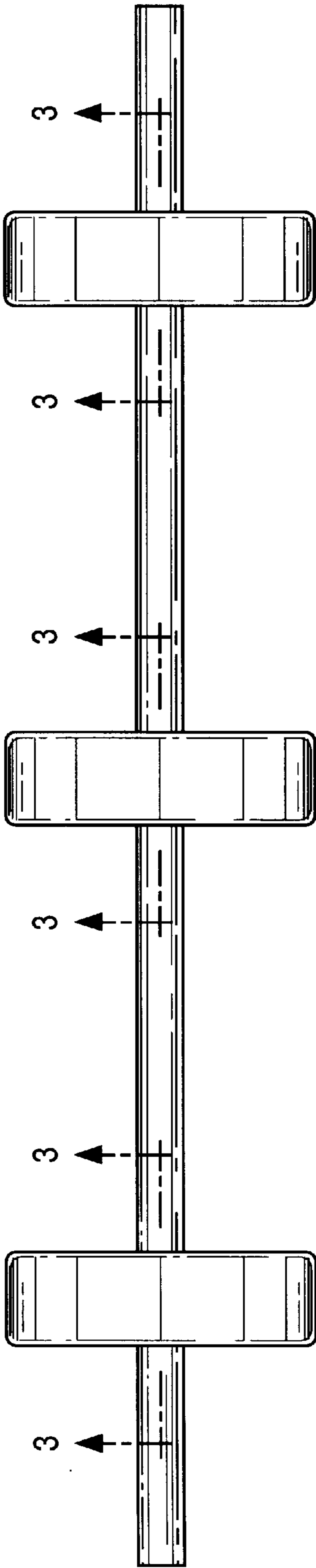


FIG. 2

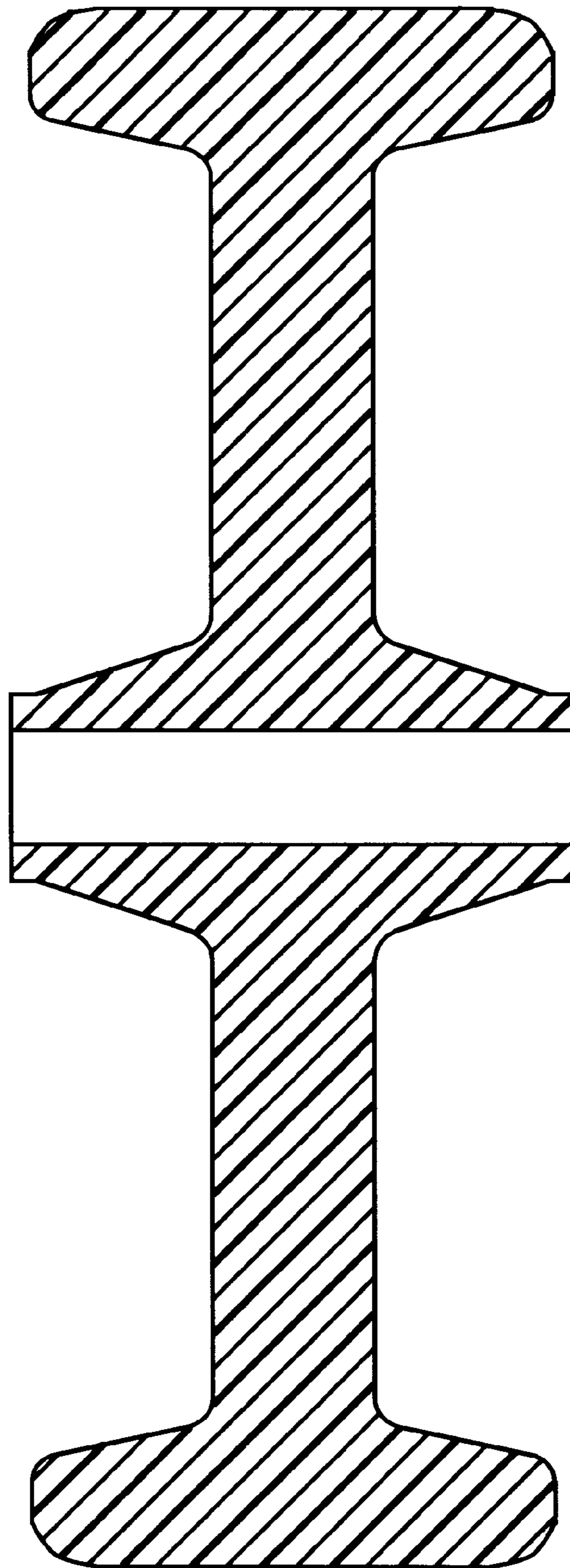


FIG. 3

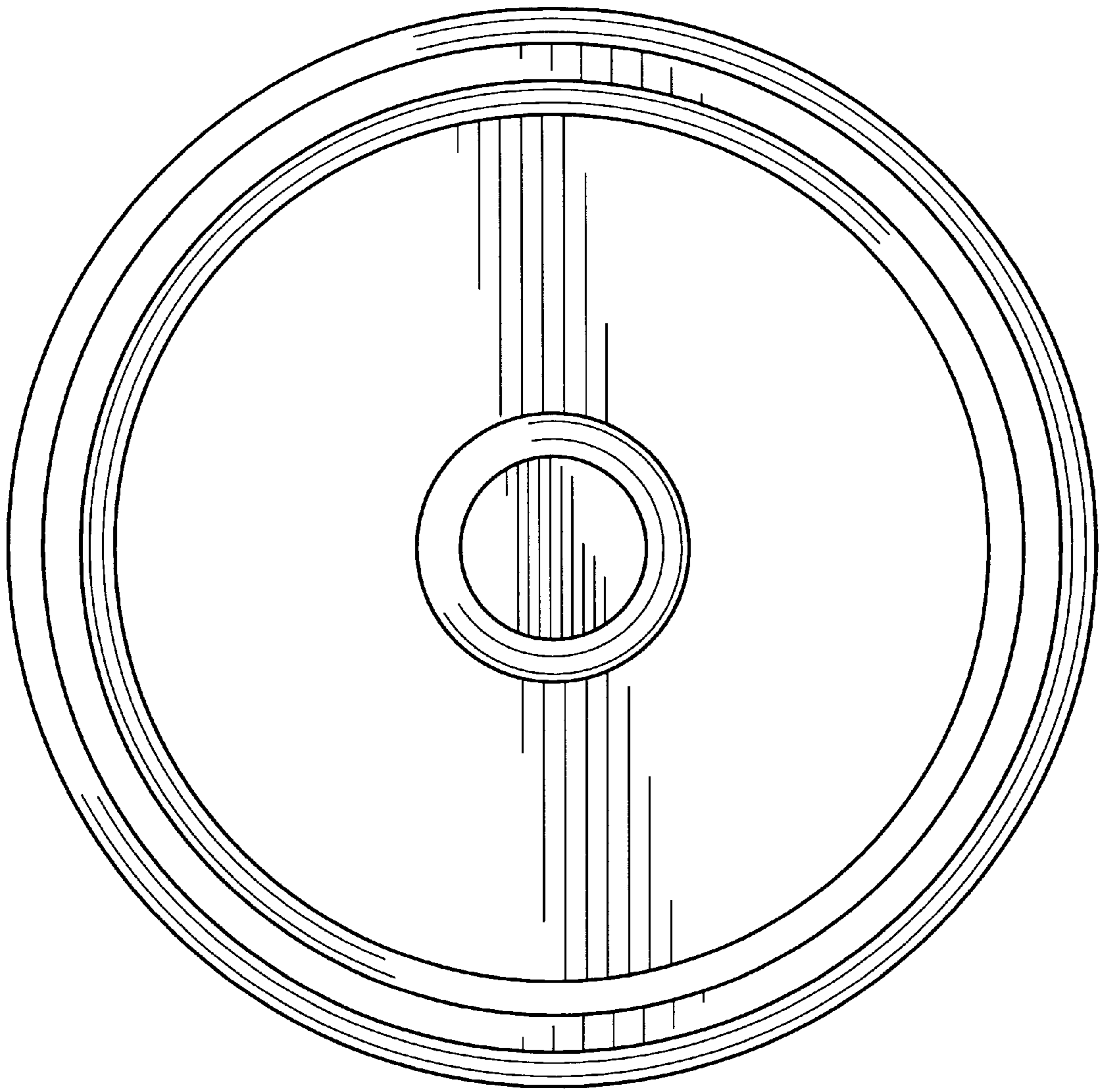


FIG. 4

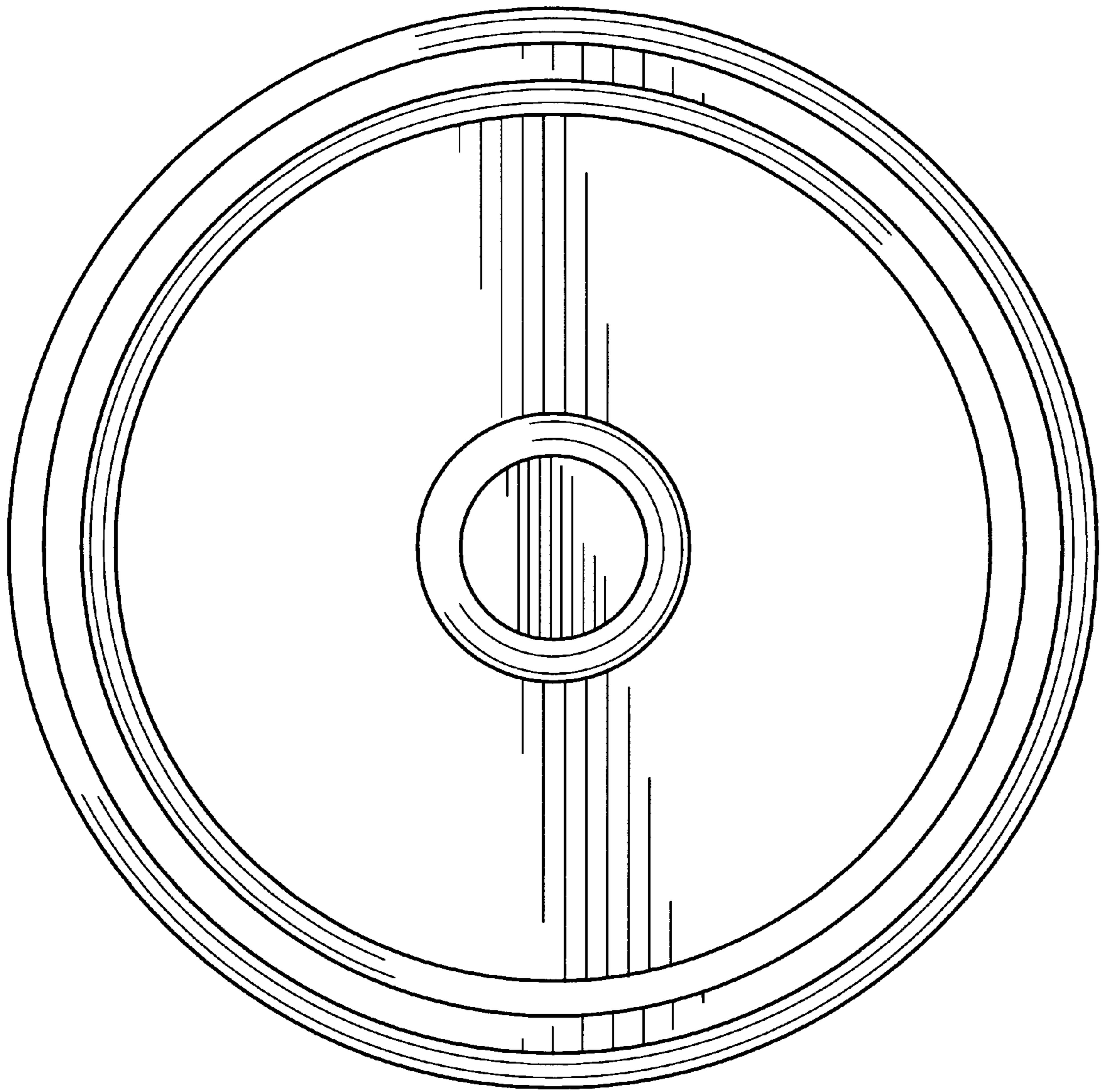


FIG. 5