



US00D422035S

United States Patent [19] Cyrus

[11] Patent Number: Des. 422,035

[45] Date of Patent: ** Mar. 28, 2000

[54] TOY LATTICE FRAME PIECE

[75] Inventor: Peter Cyrus, Seattle, Wash.

[73] Assignee: Parvia Corporation, Seattle, Wash.

[**] Term: 14 Years

[21] Appl. No.: 29/097,662

[22] Filed: Dec. 11, 1998

[51] LOC (6) Cl. 21-01

[52] U.S. Cl. D21/491; D21/501

[58] Field of Search D21/484-505;
446/85, 102-105, 108-117, 120-121, 124-125,
128, 476; 238/10 E, 10 F

[56] References Cited

U.S. PATENT DOCUMENTS

- D. 352,750 11/1994 Kushner et al. .
- D. 357,510 4/1995 Kushner et al. D21/503
- D. 382,920 8/1997 Munir .
- D. 384,993 10/1997 Rasmussen et al. D21/491
- D. 384,994 10/1997 Nielsen .
- D. 387,398 12/1997 Øhrwald .
- 510,507 12/1893 Herard D21/491
- 890,608 4/1958 Schiffler .
- 999,466 8/1911 Richter 446/108
- 1,355,975 10/1920 Hornby D21/484
- 3,005,282 10/1961 Christiansen .
- 3,034,254 5/1962 Christiansen .
- 3,162,973 12/1964 Christiansen .
- 3,234,683 2/1966 Christiansen .
- 3,236,004 2/1966 Christiansen .
- 3,242,610 3/1966 Christiansen .
- 3,284,946 11/1966 Christiansen .

- 3,597,875 8/1971 Christiansen .
- 4,176,493 12/1979 Dideriksen .
- 4,185,410 1/1980 Kristiansen .
- 4,270,303 6/1981 Xanthopoulos et al. 446/110
- 4,403,733 9/1983 Bach et al. .
- 4,430,063 2/1984 Bach et al. .
- 4,556,393 12/1985 Bolli .
- 4,743,202 5/1988 Bach .
- 4,992,069 2/1991 Bolli et al. .
- 5,392,987 2/1995 Ropers 238/10 E

FOREIGN PATENT DOCUMENTS

8101581 10/1982 Norway .

OTHER PUBLICATIONS

Lego Catalog, p. 3, Jan. 1997.

Primary Examiner—Raphael Barkai
Attorney, Agent, or Firm—Christensen O'Connor Johnson
& Kindness PLLC

[57] CLAIM

I claim the ornamental design for a toy lattice frame piece, as shown.

DESCRIPTION

FIG. 1 is a top side perspective view of my new toy lattice frame piece;
FIG. 2 is a bottom side perspective view thereof;
FIG. 3 is a right side view thereof, the left side being a mirror image;
FIG. 4 is a top view thereof; and,
FIG. 5 is a bottom view thereof.

1 Claim, 1 Drawing Sheet

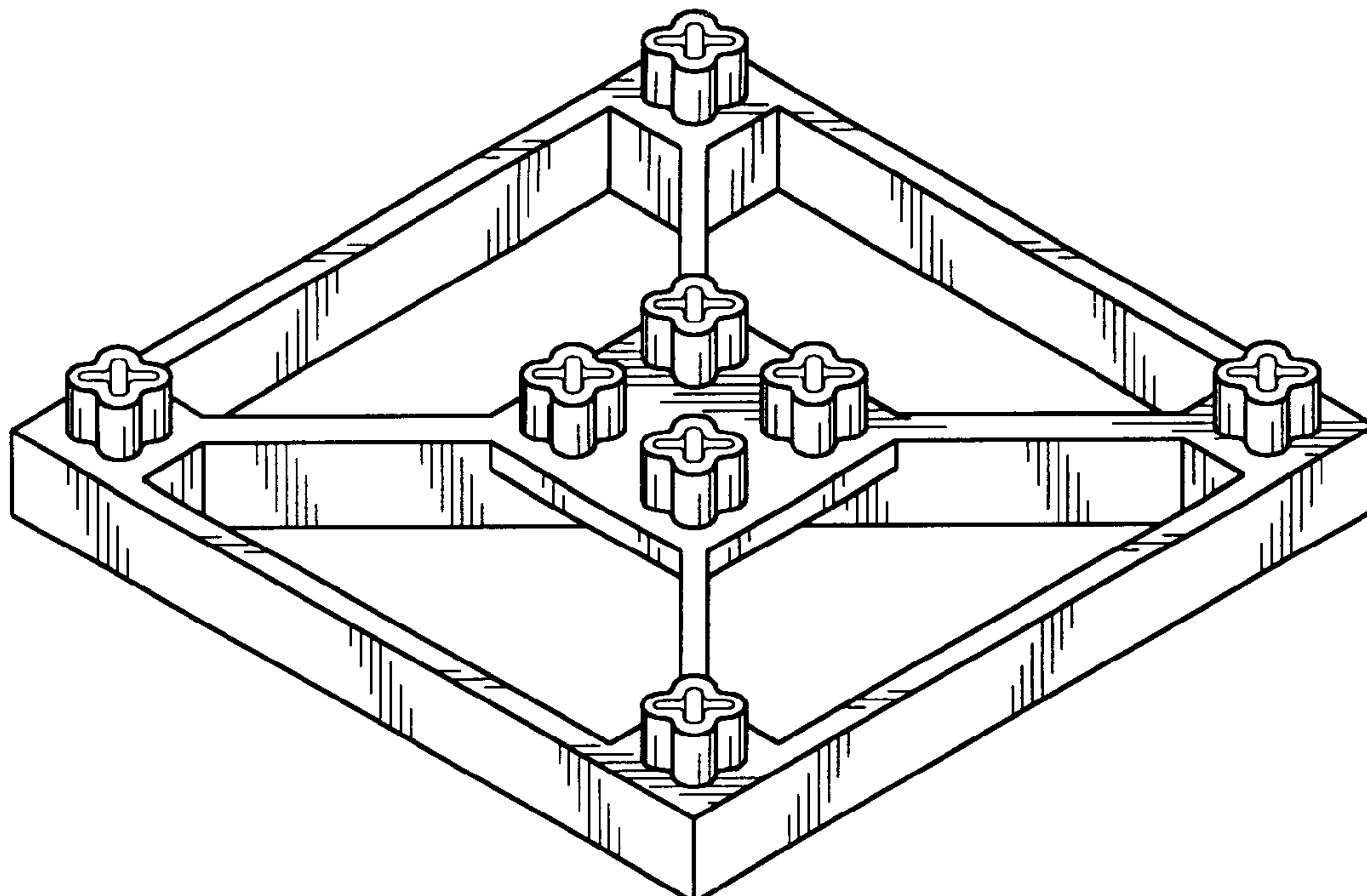


FIG. 1

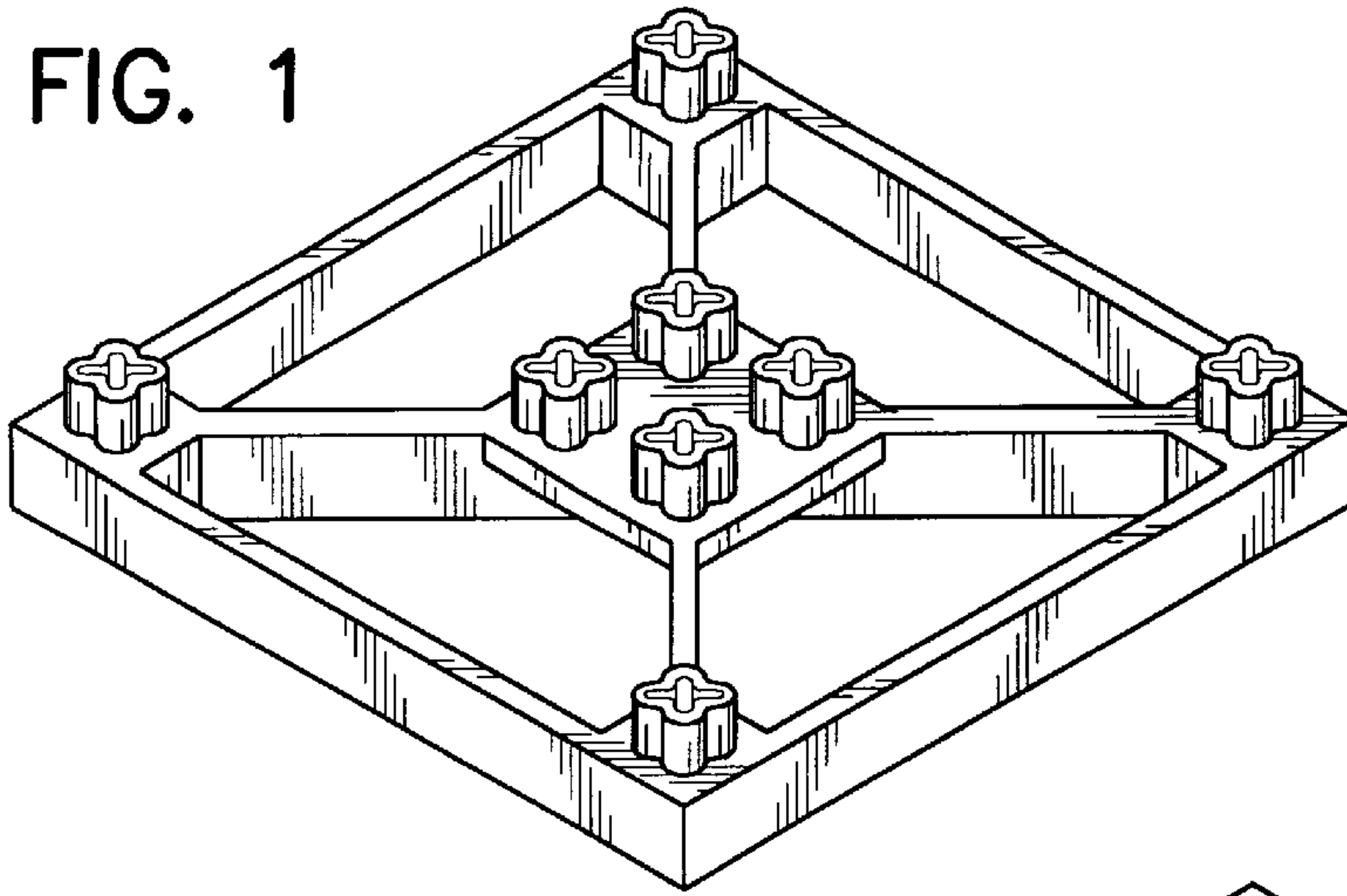


FIG. 2

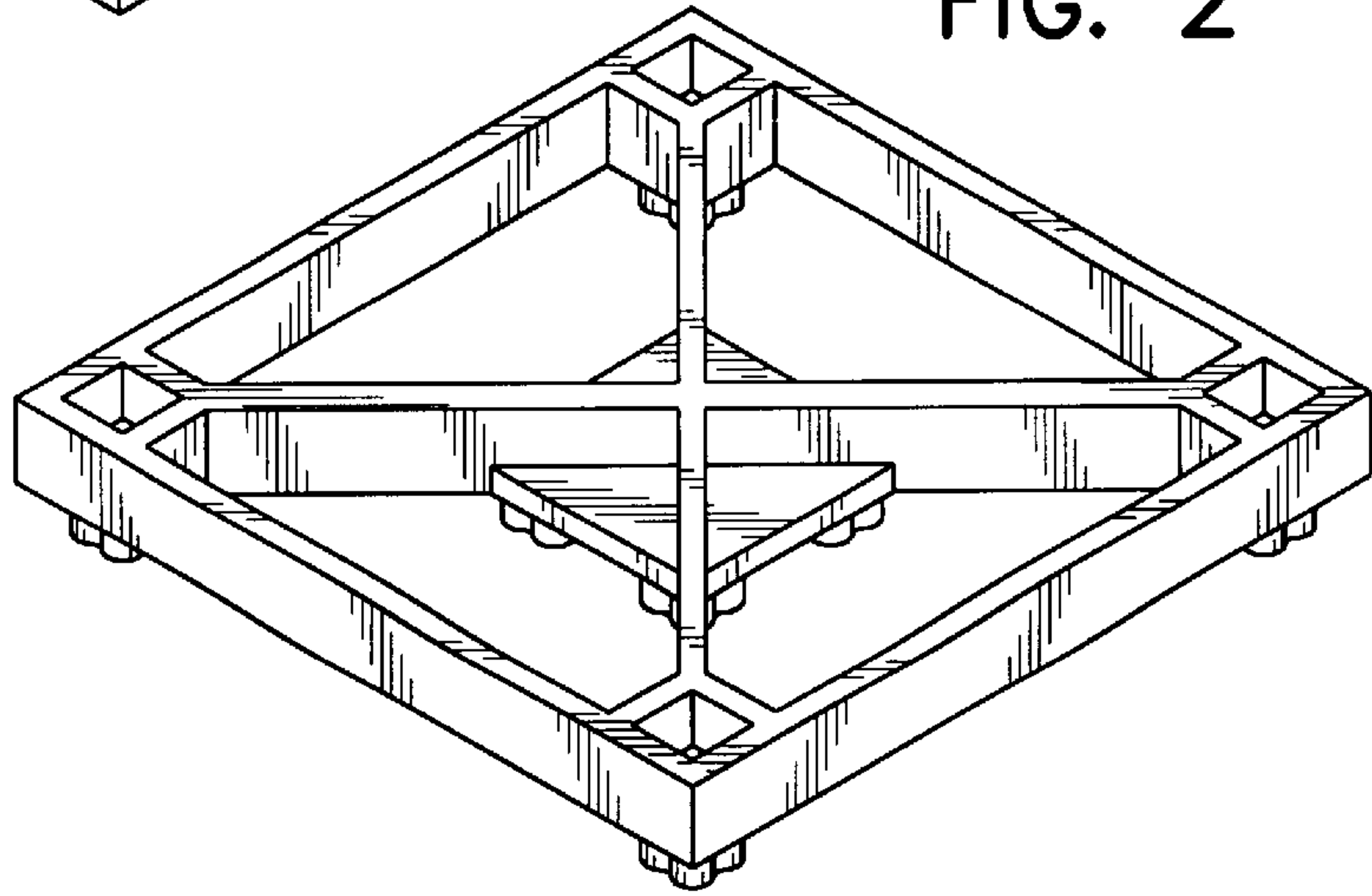


FIG. 3

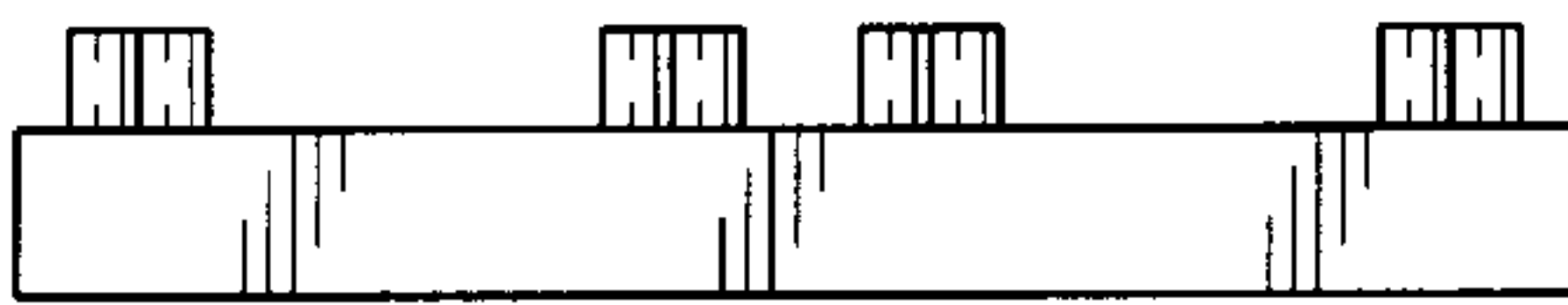


FIG. 4

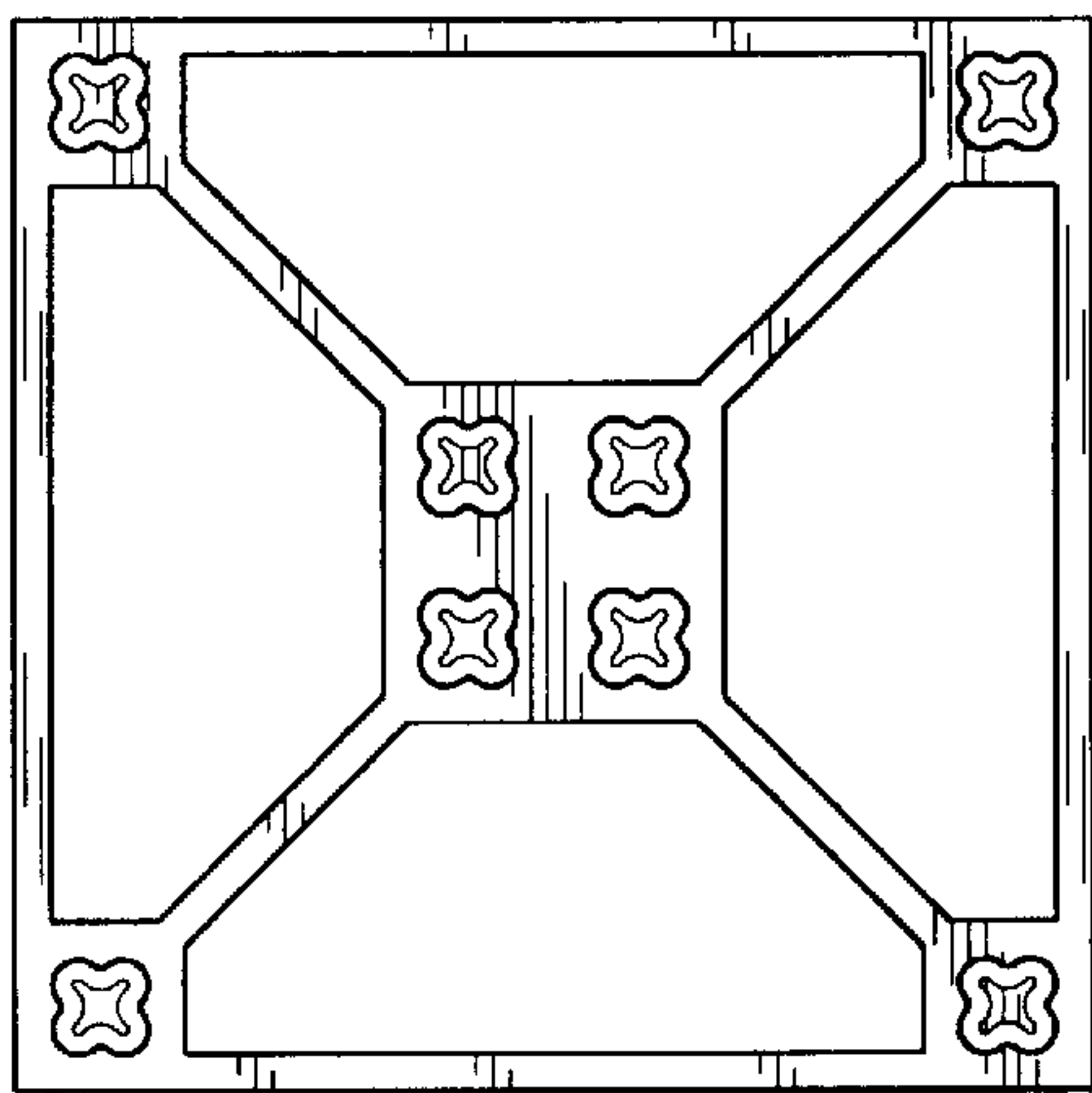


FIG. 5

