



US00D422034S

# United States Patent [19] Yamazaki

[11] **Patent Number: Des. 422,034**

[45] **Date of Patent: \*\* Mar. 28, 2000**

[54] **EDUCATIONAL TOY**

[75] **Inventor: Tomohiro Yamazaki, Tokyo, Japan**

[73] **Assignee: Tomy Company, Ltd., Tokyo, Japan**

[\*\*] **Term: 14 Years**

[21] **Appl. No.: 29/102,025**

[22] **Filed: Mar. 16, 1999**

[30] **Foreign Application Priority Data**

Oct. 2, 1998 [JP] Japan ..... 10-28392

[51] **LOC (6) Cl. .... 21-01**

[52] **U.S. Cl. .... D21/470**

[58] **Field of Search ..... D21/398, 470;**  
273/153 R, 157 R, 447; 434/258, 403;  
446/1, 85

[56] **References Cited**

**U.S. PATENT DOCUMENTS**

D. 282,940 3/1986 Thomson et al. .... D21/470

D. 319,082 8/1991 Harris ..... D21/470

D. 353,164 12/1994 Meei-Lin ..... D21/470

D. 380,240 6/1997 Johnson, Jr. .... D21/470

*Primary Examiner*—Dominic Simone  
*Attorney, Agent, or Firm*—Staas & Halsey LLP

[57] **CLAIM**

The ornamental design for an educational toy, as shown.

**DESCRIPTION**

FIG. 1 is a front elevational view of the educational toy embodying the new design;

FIG. 2 is a rear elevational view thereof;

FIG. 3 is a top plan view thereof;

FIG. 4 is a bottom plan view thereof;

FIG. 5 is a left side elevational view thereof;

FIG. 6 is a right side elevational thereof; and,

FIG. 7 is a perspective view thereof.

**1 Claim, 2 Drawing Sheets**

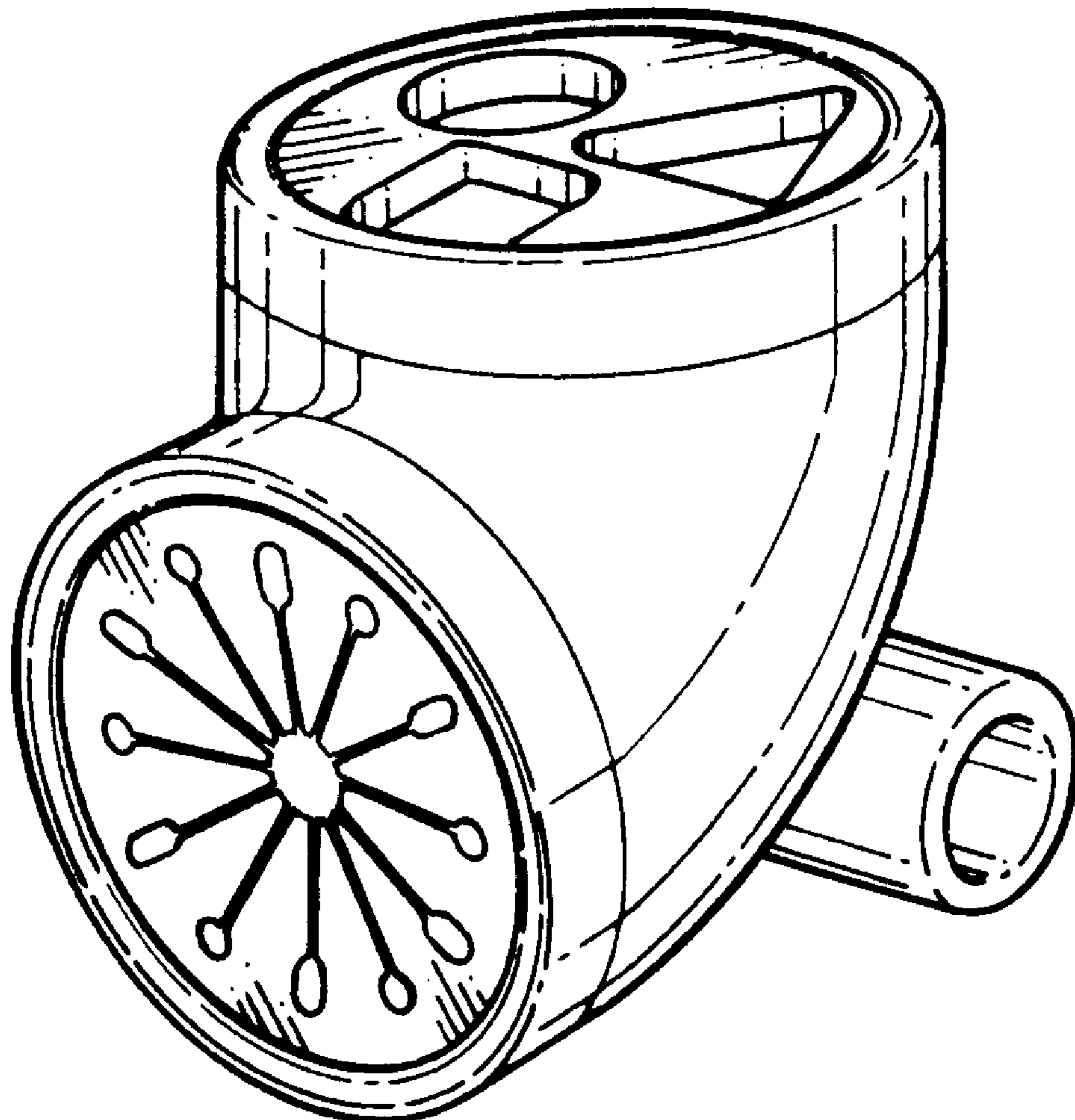


FIG. 1

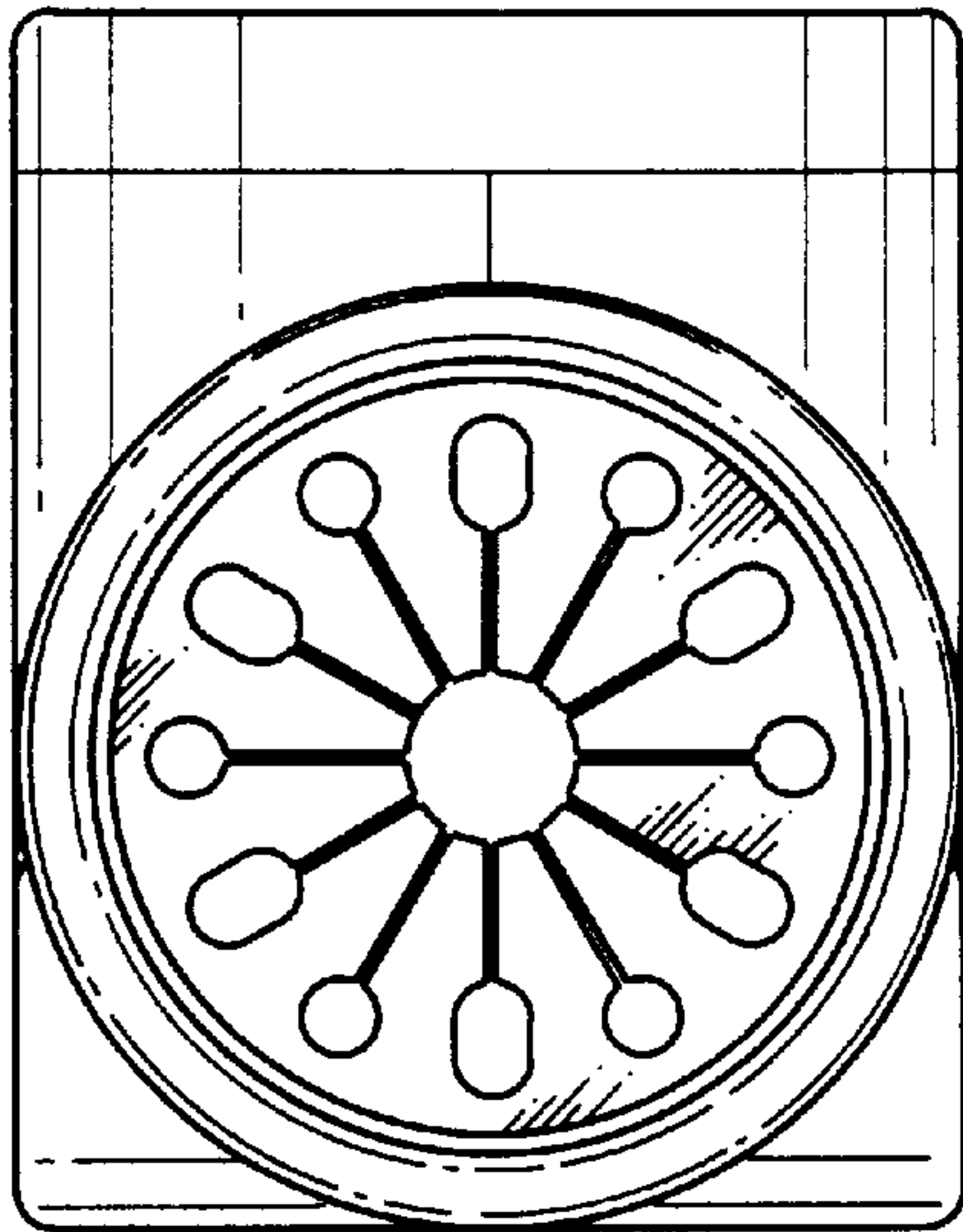


FIG. 2

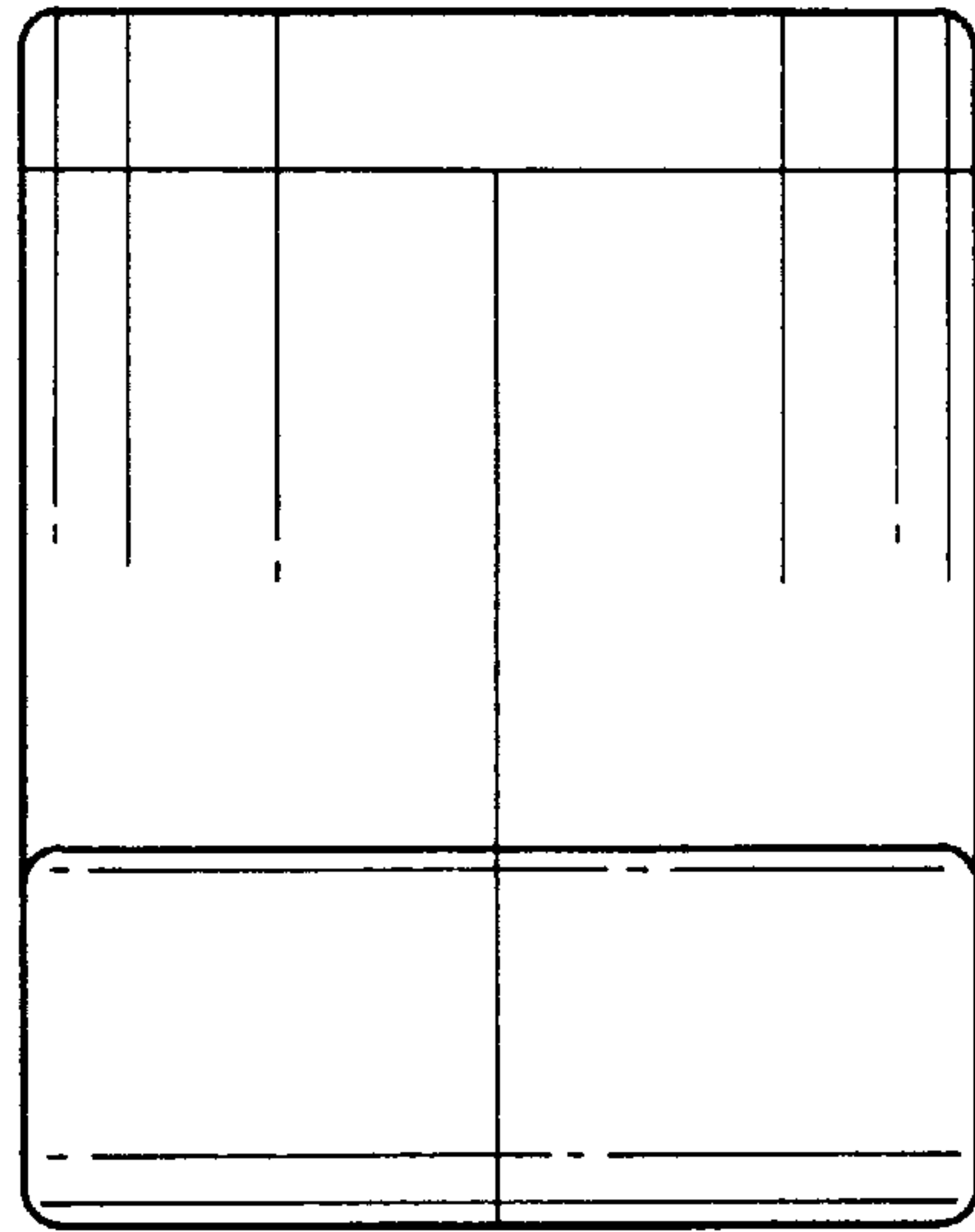


FIG. 3

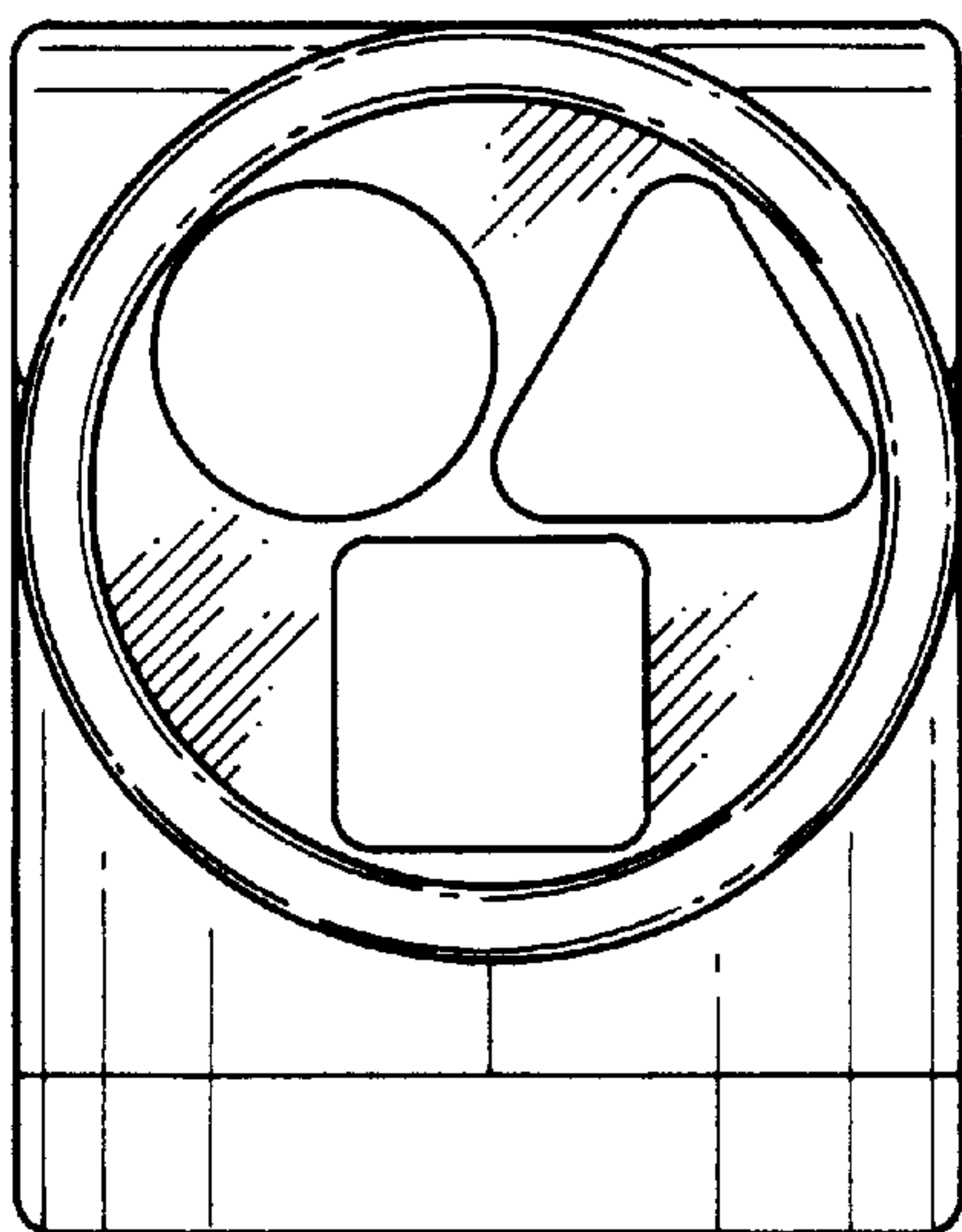


FIG. 4

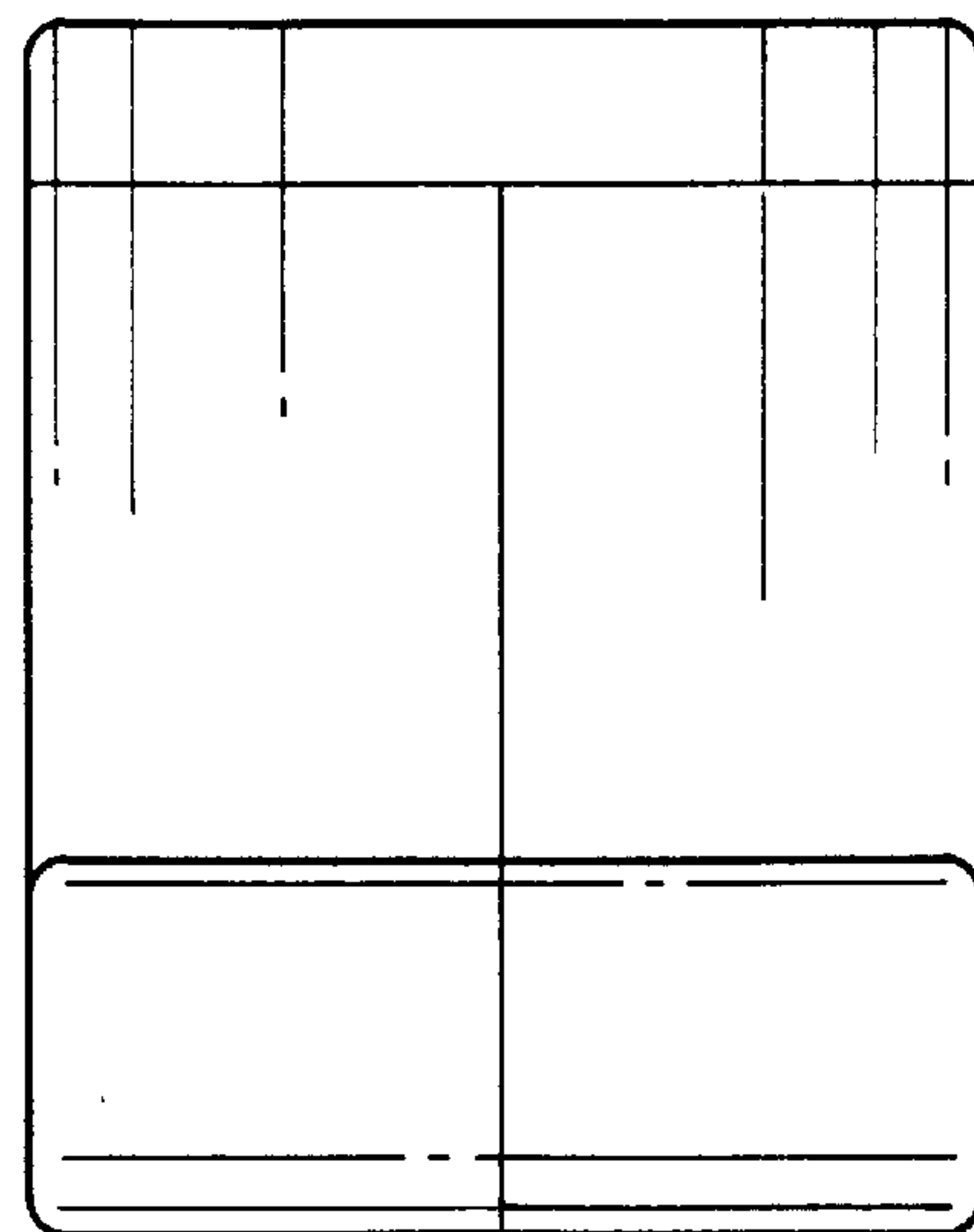


FIG. 5

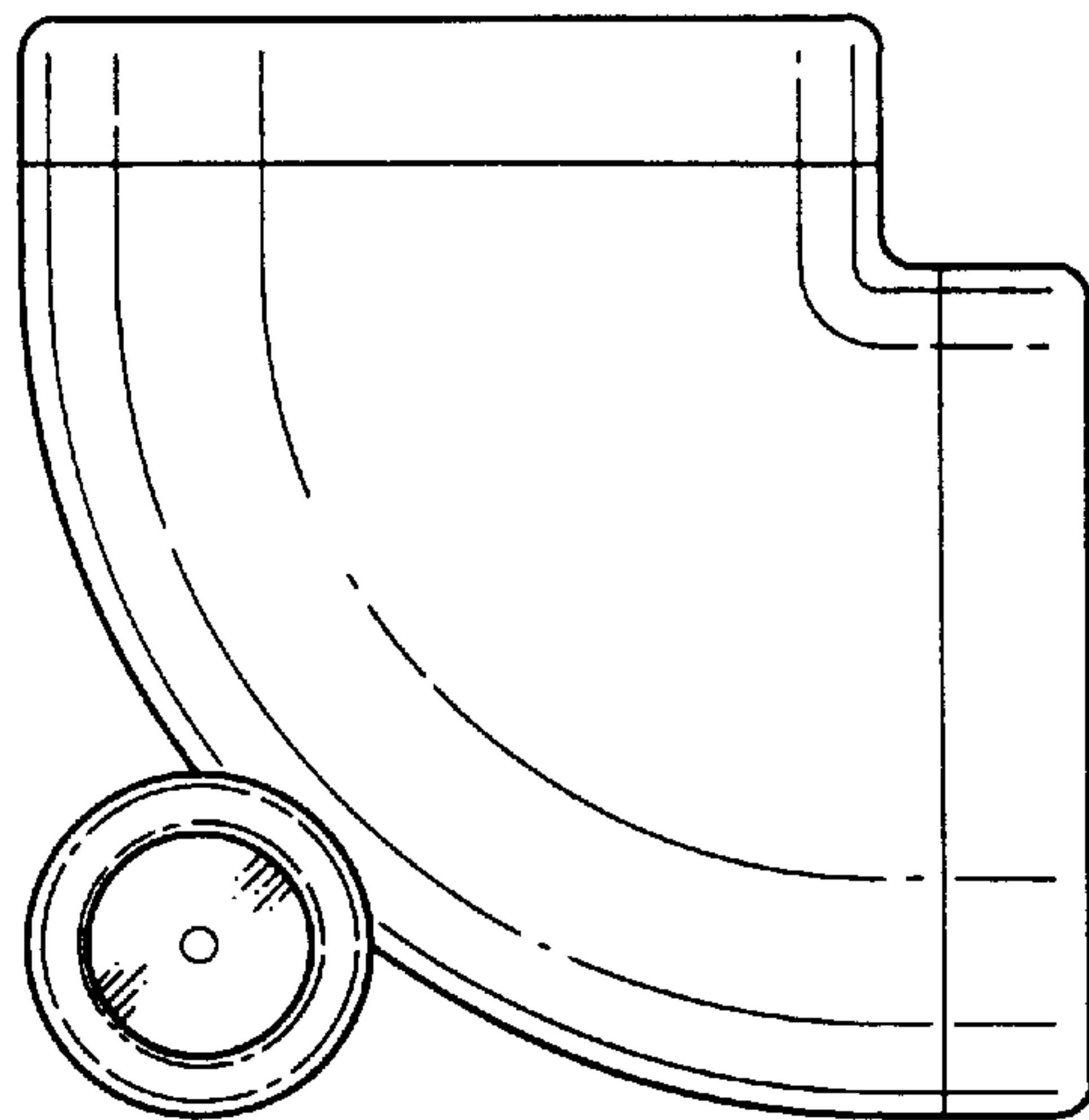


FIG. 6

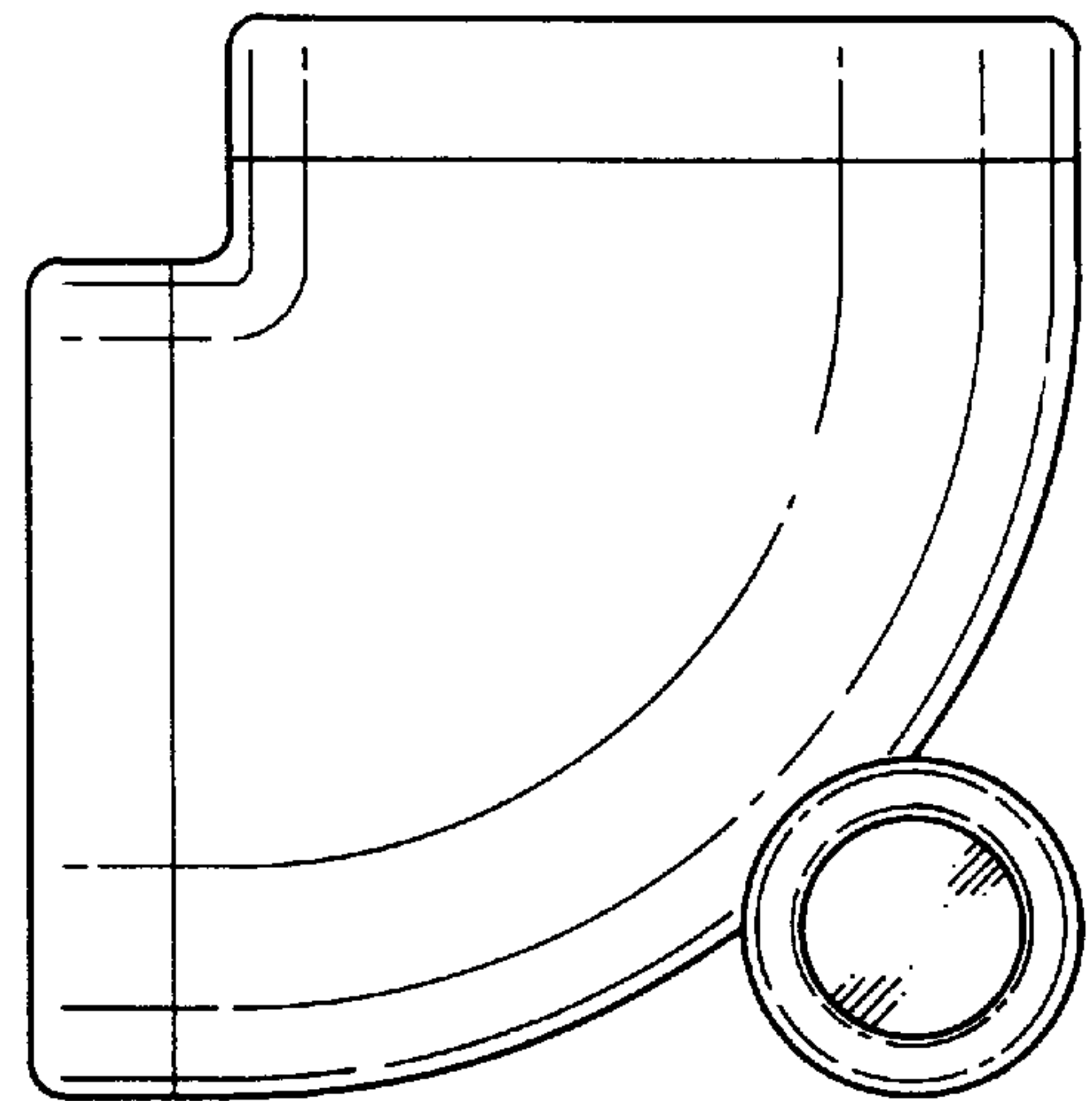


FIG. 7

