



US00D422020S

United States Patent [19] Mochizuki

[11] **Patent Number: Des. 422,020**

[45] **Date of Patent: ** Mar. 28, 2000**

[54] **BINDER INSERT**

[75] Inventor: **Chikara Mochizuki**, Osaka, Japan

[73] Assignee: **Nakabayashi Co., Ltd.**, Osaka, Japan

[**] Term: **14 Years**

[21] Appl. No.: **29/107,980**

[22] Filed: **Jul. 16, 1999**

[51] **LOC (6) Cl.** **19-04**

[52] **U.S. Cl.** **D19/33; D19/27; D19/86**

[58] **Field of Search** D24/1 R; D19/26,
D19/27, 32, 33, 86, 90, 91, 99, 100; D3/900,
247, 303; 40/405, 537, 661, 701, 771-776;
428/138; 402/70, 73, 79; 283/107-112;
281/15.1, 38-41, 3.1, 51; 206/449, 778,
569, 460

[56] **References Cited**

U.S. PATENT DOCUMENTS

D. 226,383 2/1973 Loughran D24/1 R
D. 262,040 11/1981 Wihlke D19/33

D. 391,989 3/1998 Plutsky D19/33
958,174 5/1910 Ramage et al. 281/38
3,555,713 1/1971 Leinbach 40/405
4,263,357 4/1981 Holson 428/138
4,315,697 2/1982 Horowitz 402/79
4,447,973 5/1984 Wihlke 40/776

Primary Examiner—Martie K. Holtje
Attorney, Agent, or Firm—Thompson Hine & Flory LLP

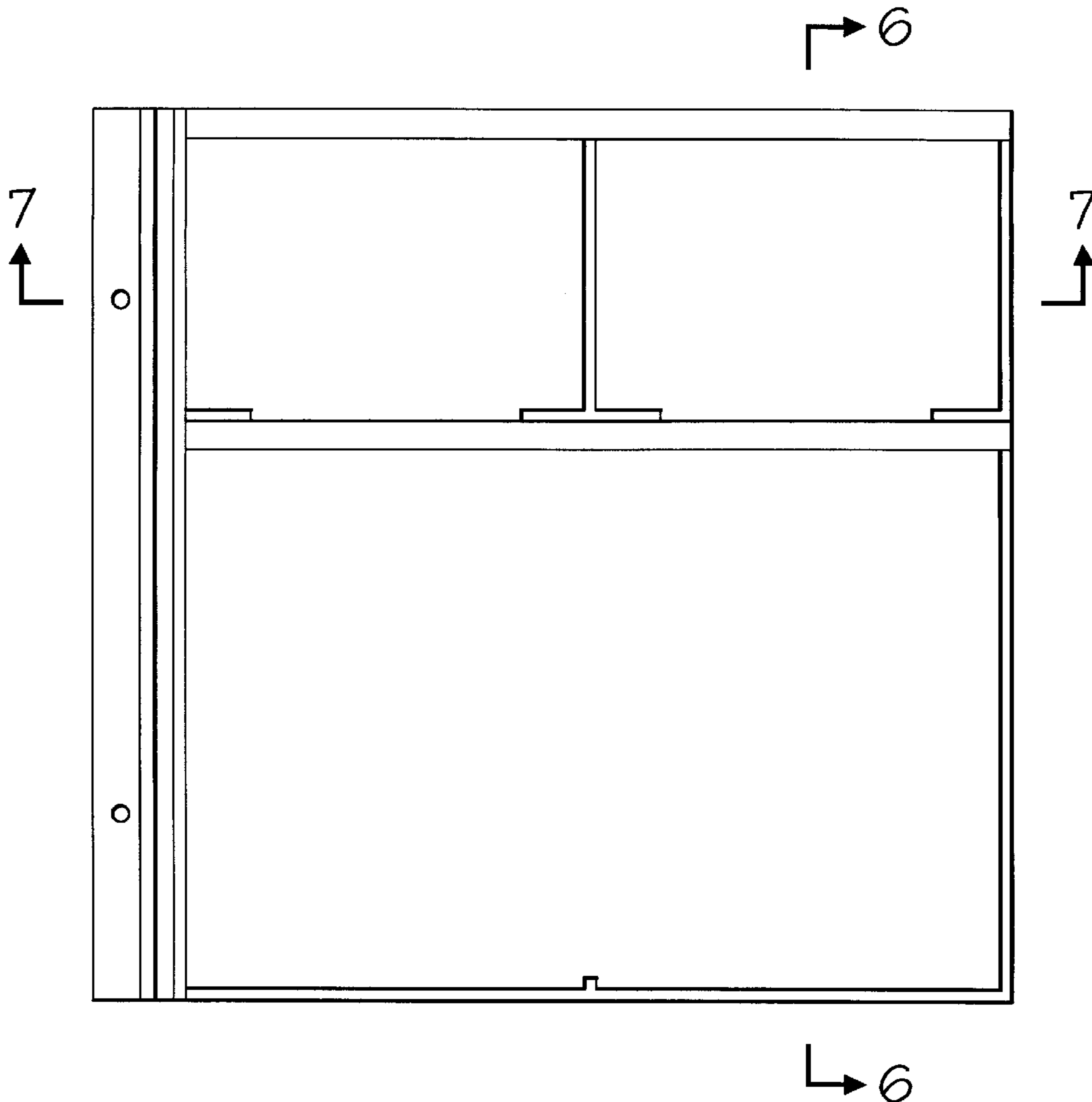
[57] **CLAIM**

The ornamental design for a binder insert, as shown and described.

DESCRIPTION

FIG. 1 is a front elevational view of a binder insert embodying my new design;
FIG. 2 is a top plan view thereof;
FIG. 3 is a bottom view thereof;
FIG. 4 is a left side elevational view thereof;
FIG. 5 is a right side elevational view thereof;
FIG. 6 is a cross sectional view taken along line 6—6; and,
FIG. 7 is a cross sectional view taken along line 7—7.

1 Claim, 2 Drawing Sheets



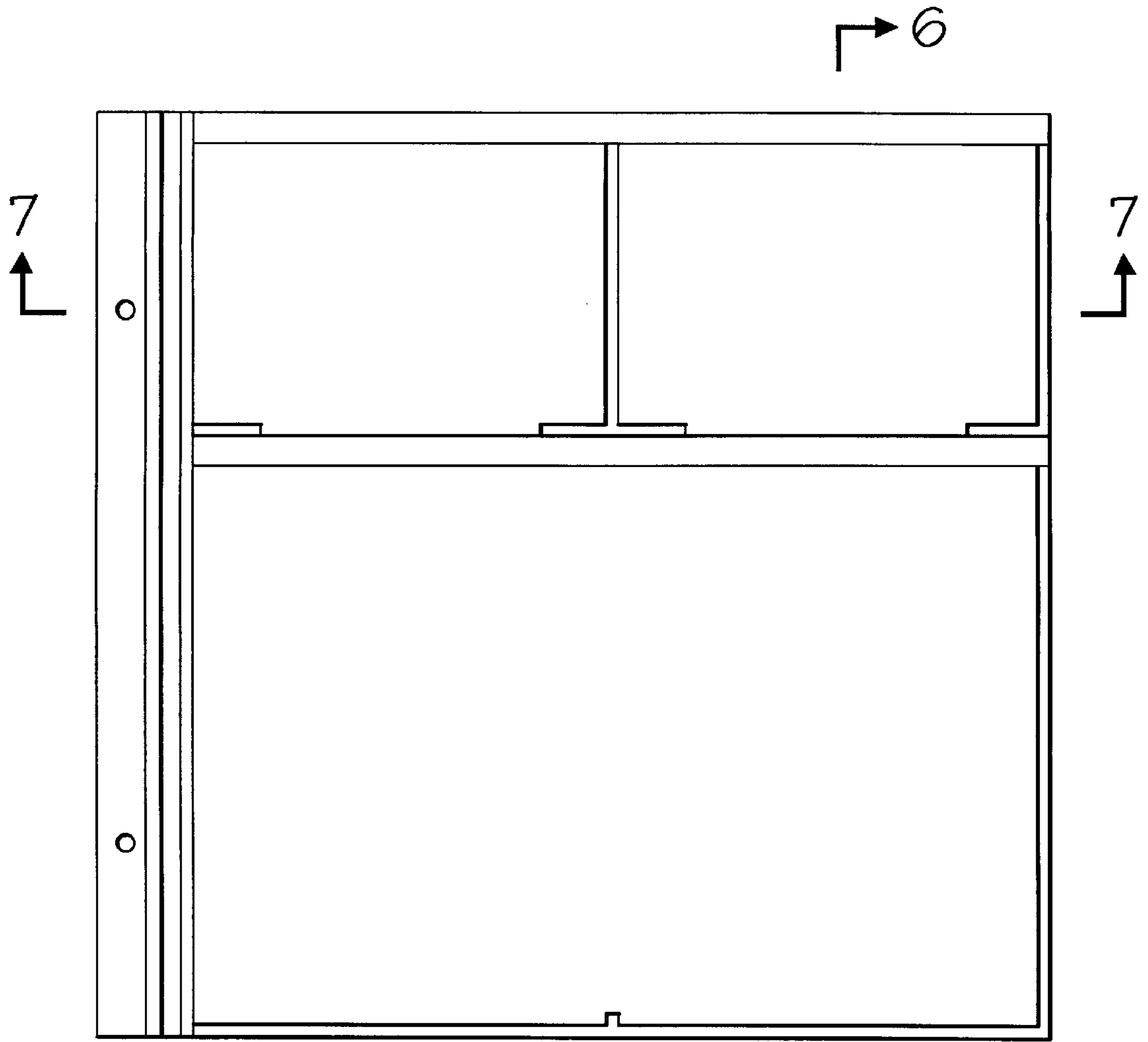


FIG. 1

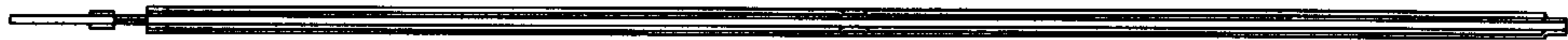
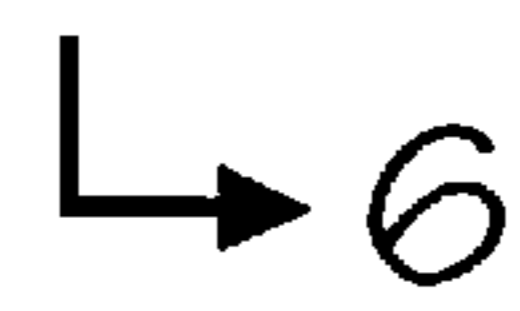


FIG. 2



FIG. 3



FIG. 4



FIG. 5



FIG. 6

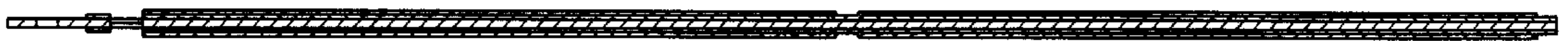


FIG. 7