



US00D422019S

United States Patent [19] Mochizuki

[11] Patent Number: **Des. 422,019**

[45] Date of Patent: **** Mar. 28, 2000**

[54] **BINDER INSERT**

[75] Inventor: **Chikara Mochizuki**, Osaka, Japan

[73] Assignee: **Nakabayashi Co., Ltd.**, Osaka, Japan

[**] Term: **14 Years**

[21] Appl. No.: **29/107,979**

[22] Filed: **Jul. 16, 1999**

[51] **LOC (6) Cl.** **19-04**

[52] **U.S. Cl.** **D19/33; D19/27; D19/86**

[58] **Field of Search** D19/26, 27, 32,
D19/33, 86, 90, 91, 99, 100; D3/900, 247,
303; 40/405, 537, 661, 701, 771-776; 402/70,
73, 79; 283/107-112; 281/15.1, 31, 38-41,
3.1, 51; 206/449, 778, 569, 460

[56] **References Cited**

U.S. PATENT DOCUMENTS

- D. 226,383 2/1973 Loughran D24/1 R
- D. 266,771 11/1982 Wihlke D19/33

- D. 312,835 12/1990 Holm D19/33
- 958,174 5/1910 Ramage et al. 281/38
- 3,651,591 3/1972 Woodyard 40/537
- 4,315,697 2/1982 Horowitz 402/79
- 4,577,889 3/1986 Schulz 281/15.1
- 5,431,449 7/1995 Arimoto et al. 281/31

Primary Examiner—Martie K. Holtje
Attorney, Agent, or Firm—Thompson Hine & Flory LLP

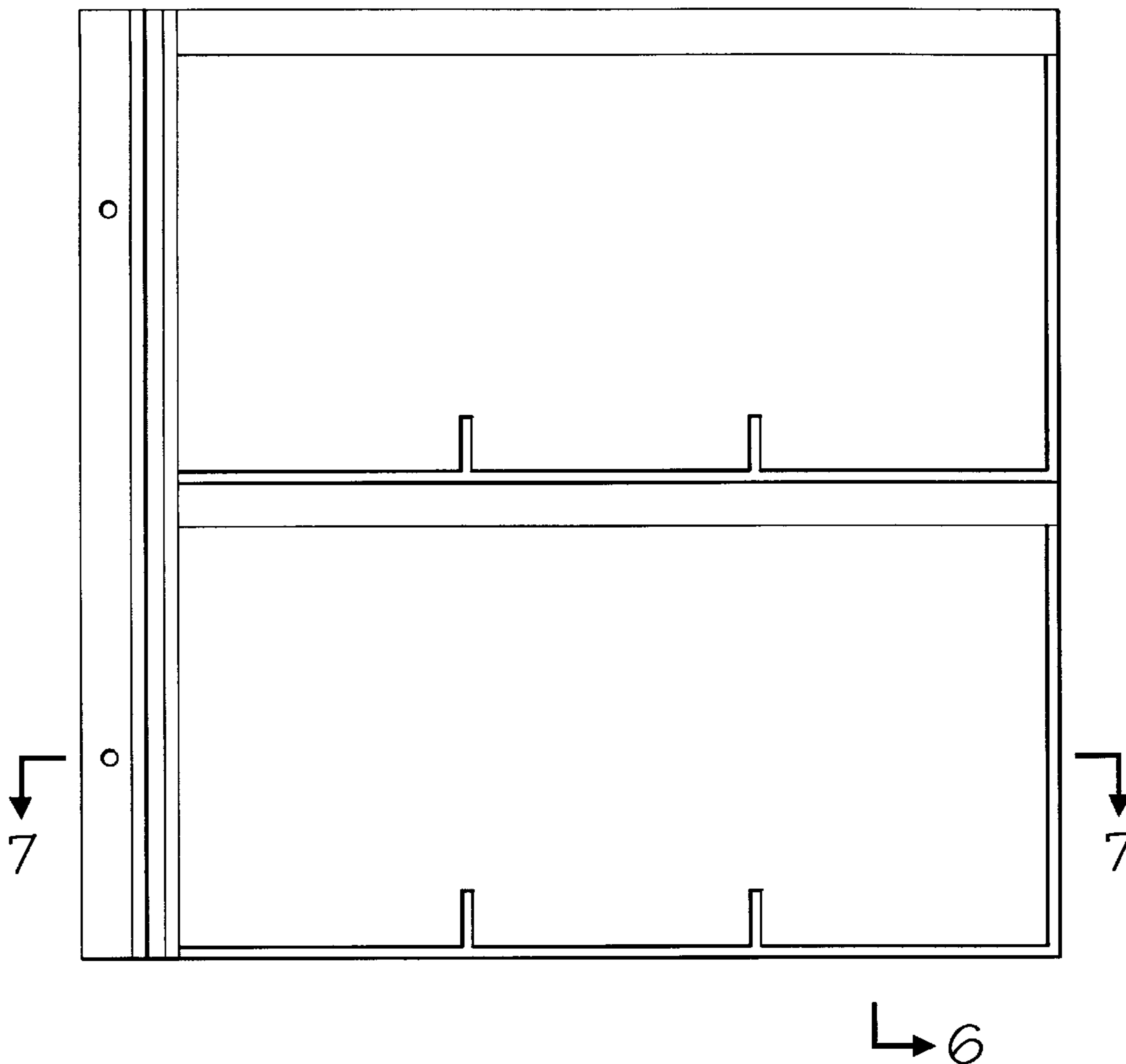
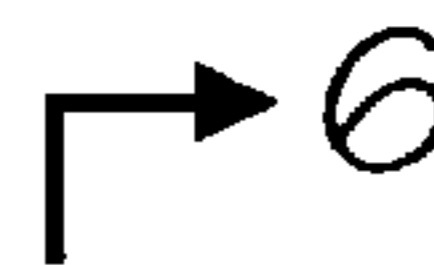
[57] **CLAIM**

The ornamental design for a binder insert, as shown and described.

DESCRIPTION

FIG. 1 is a front elevational view of a binder insert embodying my new design;
FIG. 2 is a top plan view thereof;
FIG. 3 is a bottom view thereof;
FIG. 4 is a left side elevational view thereof;
FIG. 5 is a right side elevational view thereof;
FIG. 6 is a cross sectional view taken along line 6—6; and,
FIG. 7 is a cross sectional view taken along line 7—7.

1 Claim, 2 Drawing Sheets



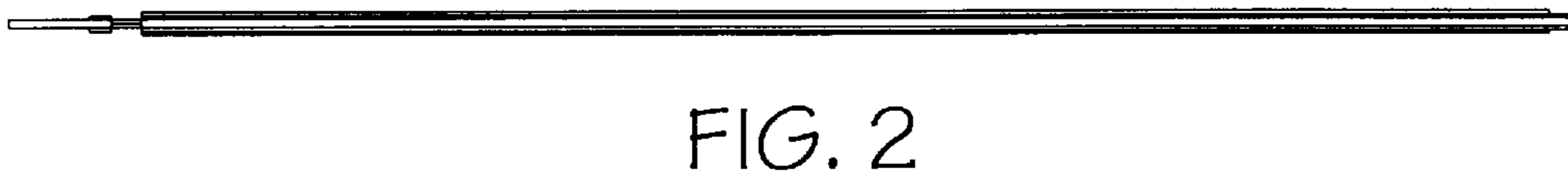
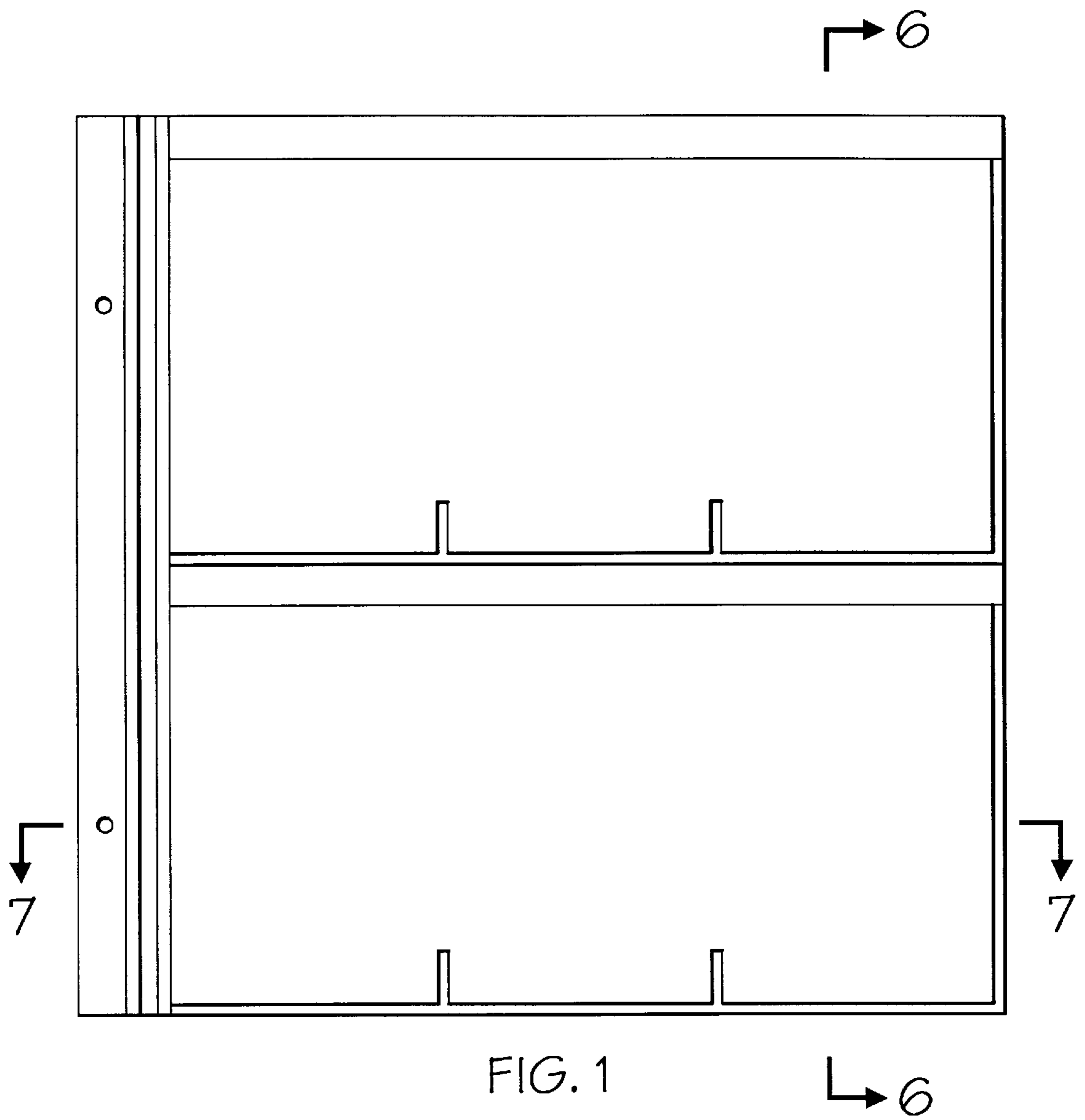




FIG. 4



FIG. 5



FIG. 6



FIG. 7