



US00D422018S

United States Patent [19]

[11] **Patent Number: Des. 422,018**

Brown et al.

[45] **Date of Patent: ** Mar. 28, 2000**

[54] **APPARATUS FOR SECURING AN ELECTRONIC DEVICE TO A LOOSE-LEAF SUPPORT ASSEMBLY**

[75] Inventors: **Jeffrey O. Brown**, North Logan; **Gary E. Hogge**, Kaysville, both of Utah

[73] Assignee: **Franklin Covey, Co.**, Salt Lake City, Utah

[**] Term: **14 Years**

[21] Appl. No.: **29/107,127**

[22] Filed: **Jun. 28, 1999**

[51] **LOC (6) Cl. 19-04**

[52] **U.S. Cl. D19/32; D19/65; D18/12**

[58] **Field of Search D19/26, 27, 32, D19/33, 65; 281/22, 31, 15.1, 27.1, 27.2, 27.3, 29, 45, 51; 402/4, 79, 80 R, 73, 502, 503; D18/2, 7, 12**

[56] **References Cited**

U.S. PATENT DOCUMENTS

D. 343,187	1/1994	Webb et al. .	
D. 345,757	4/1994	Webb et al. .	
D. 350,971	9/1994	Lassberg	D18/2
D. 375,757	11/1996	Johnson	D19/32
D. 384,102	9/1997	Osiecki et al.	D19/32
D. 389,514	1/1998	Bedol	D19/32
D. 395,059	6/1998	Bedol	D19/32
D. 396,245	7/1998	Ng	D19/72
4,832,191	5/1989	Gerver et al. .	

4,918,632	4/1990	York .	
5,209,592	5/1993	Bedol .	
5,219,239	6/1993	Bianco	402/79
5,232,301	8/1993	Bianco .	
5,295,758	3/1994	Bianco	402/79
5,597,256	1/1997	Burton .	
5,876,144	3/1999	Bedol et al.	402/4
5,915,873	6/1999	Karlis	402/79

Primary Examiner—Martie K. Holtje
Attorney, Agent, or Firm—Trask, Britt & Rossa

[57] **CLAIM**

The ornamental design for an attachment apparatus for securing an electronic device to a loose-leaf support assembly, as shown and described.

DESCRIPTION

FIG. 1 is a perspective view of an attachment apparatus for securing an electronic device to a loose-leaf support assembly showing our new design;

FIG. 2 is a perspective view thereof, the electronic device depicted by means of broken lines being shown for illustrative purposes only and forming no part of the claimed design;

FIG. 3 is a front elevational view;

FIG. 4 is a rear elevational view;

FIG. 5 is a top plan view;

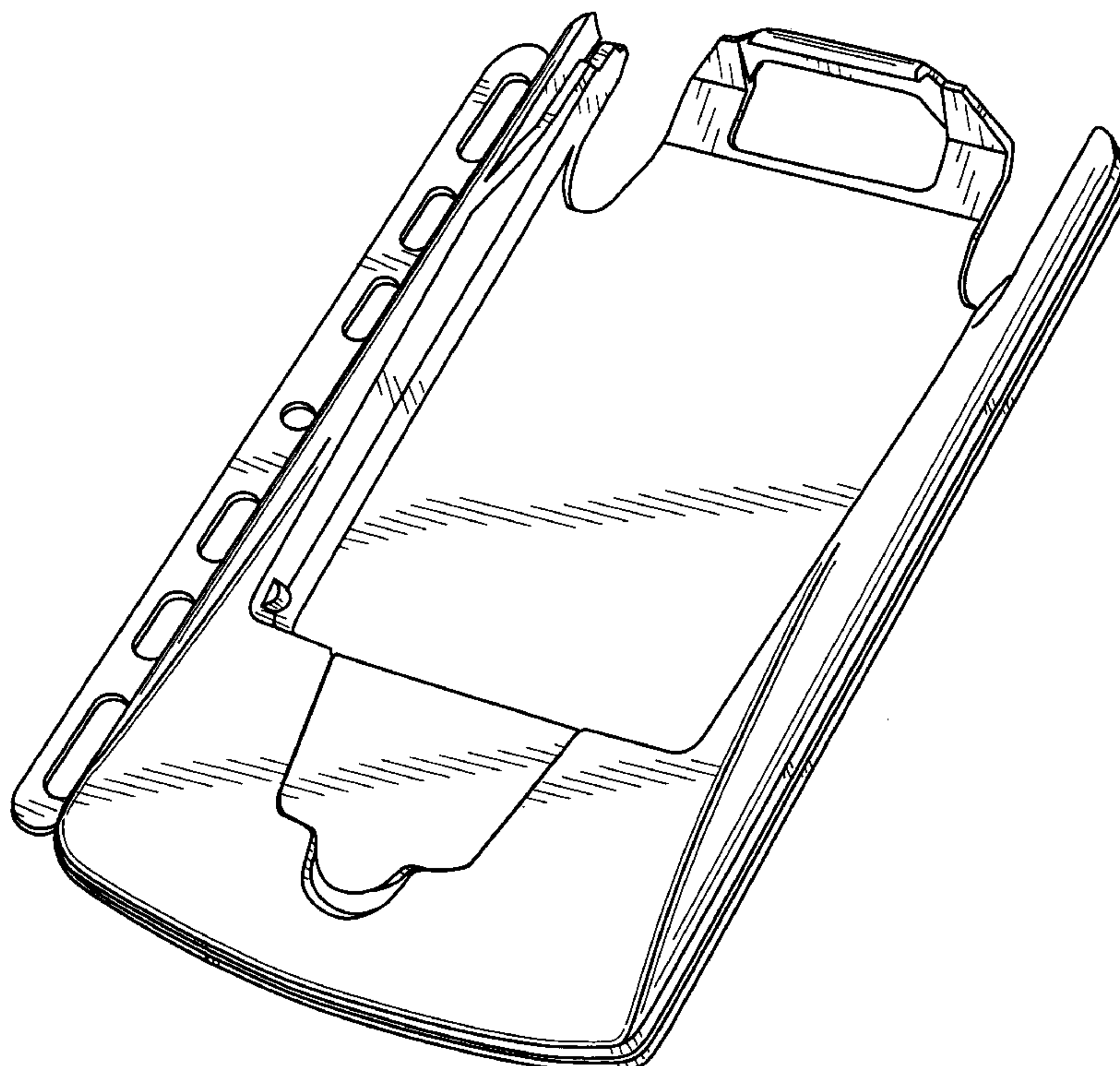
FIG. 6 is a bottom plan view;

FIG. 7 is a left side elevational view;

FIG. 8 is a right side elevational view; and,

FIG. 9 is a perspective view showing an alternate position.

1 Claim, 7 Drawing Sheets



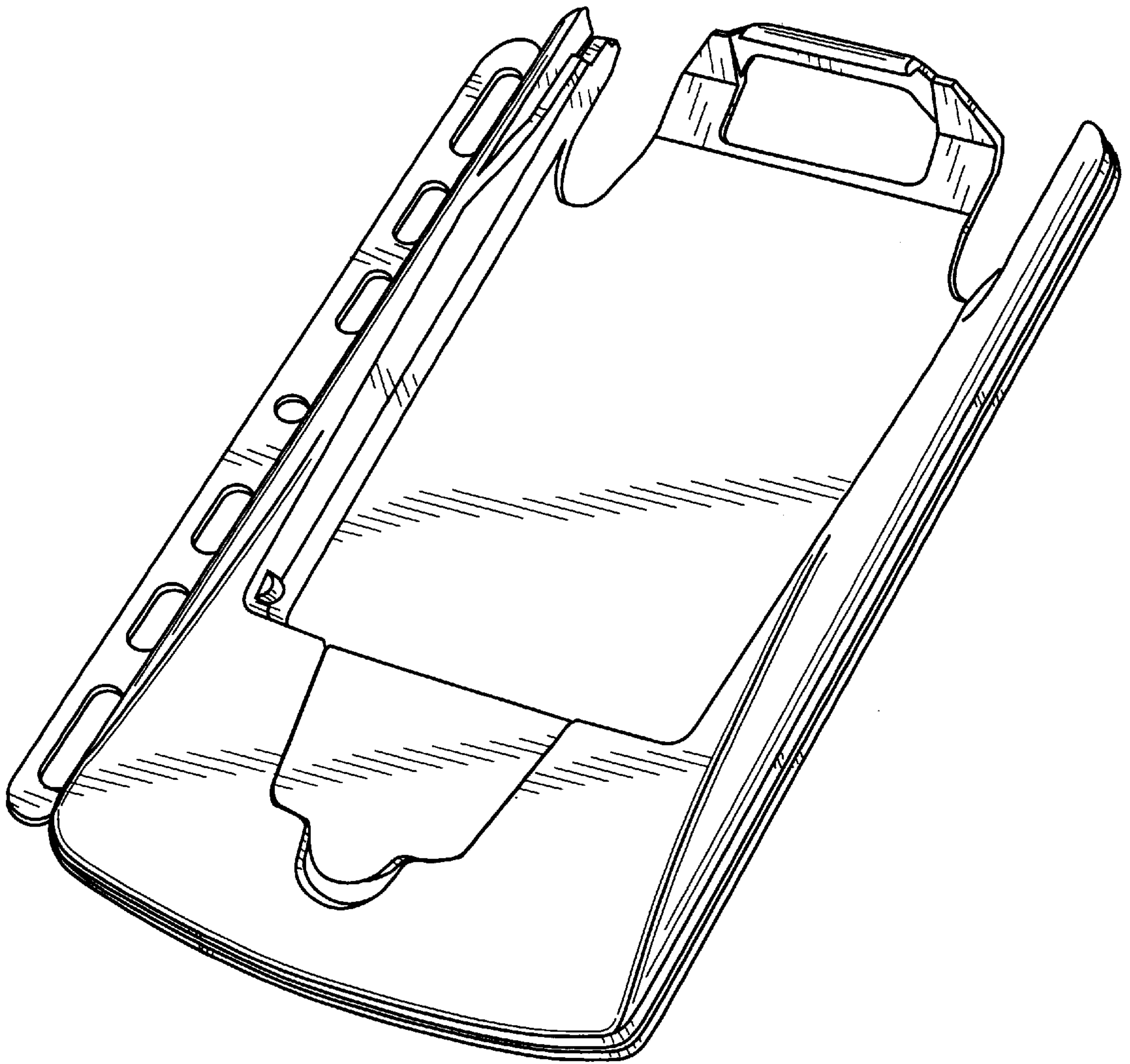


Fig. 1

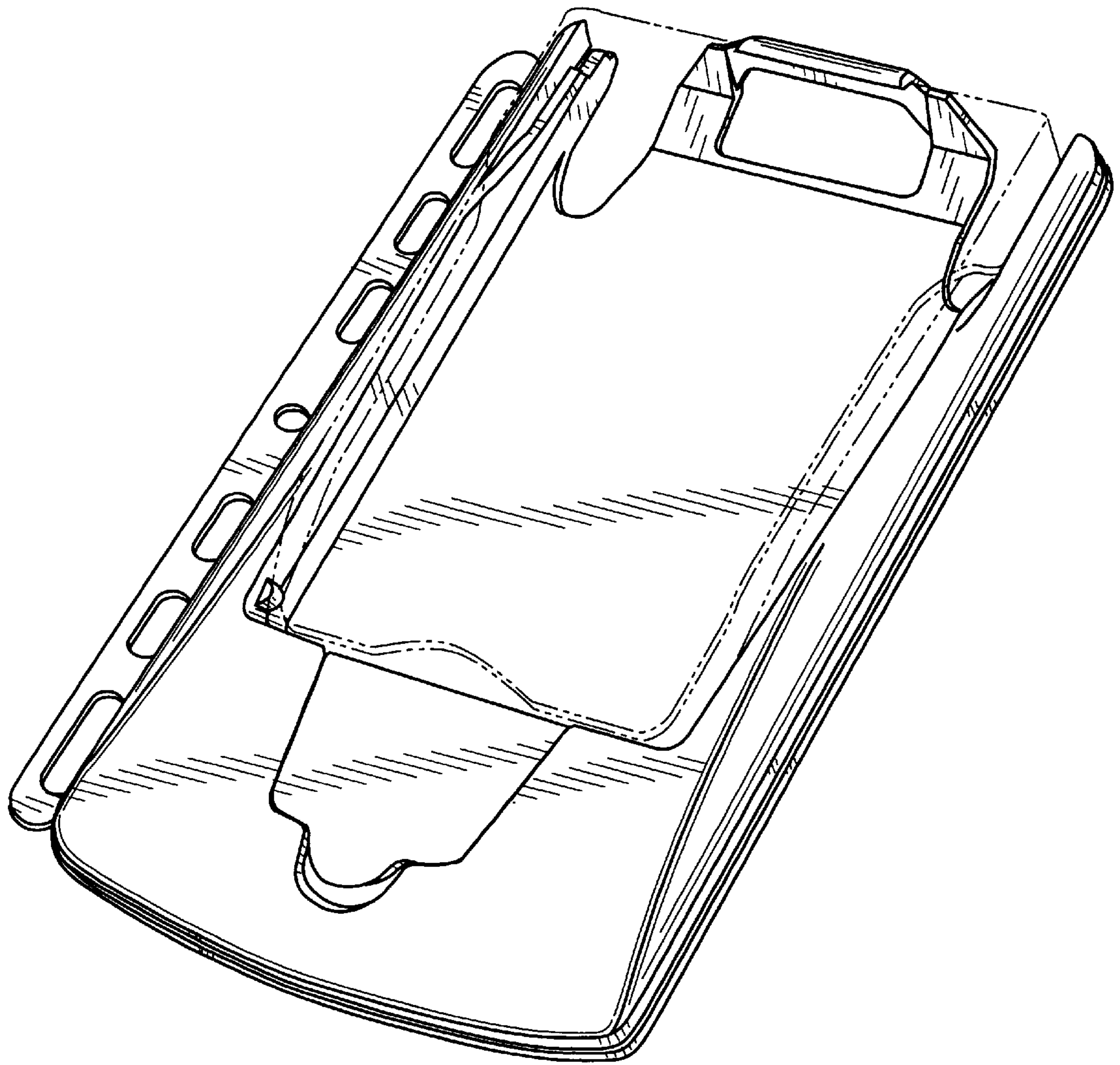


Fig. 2

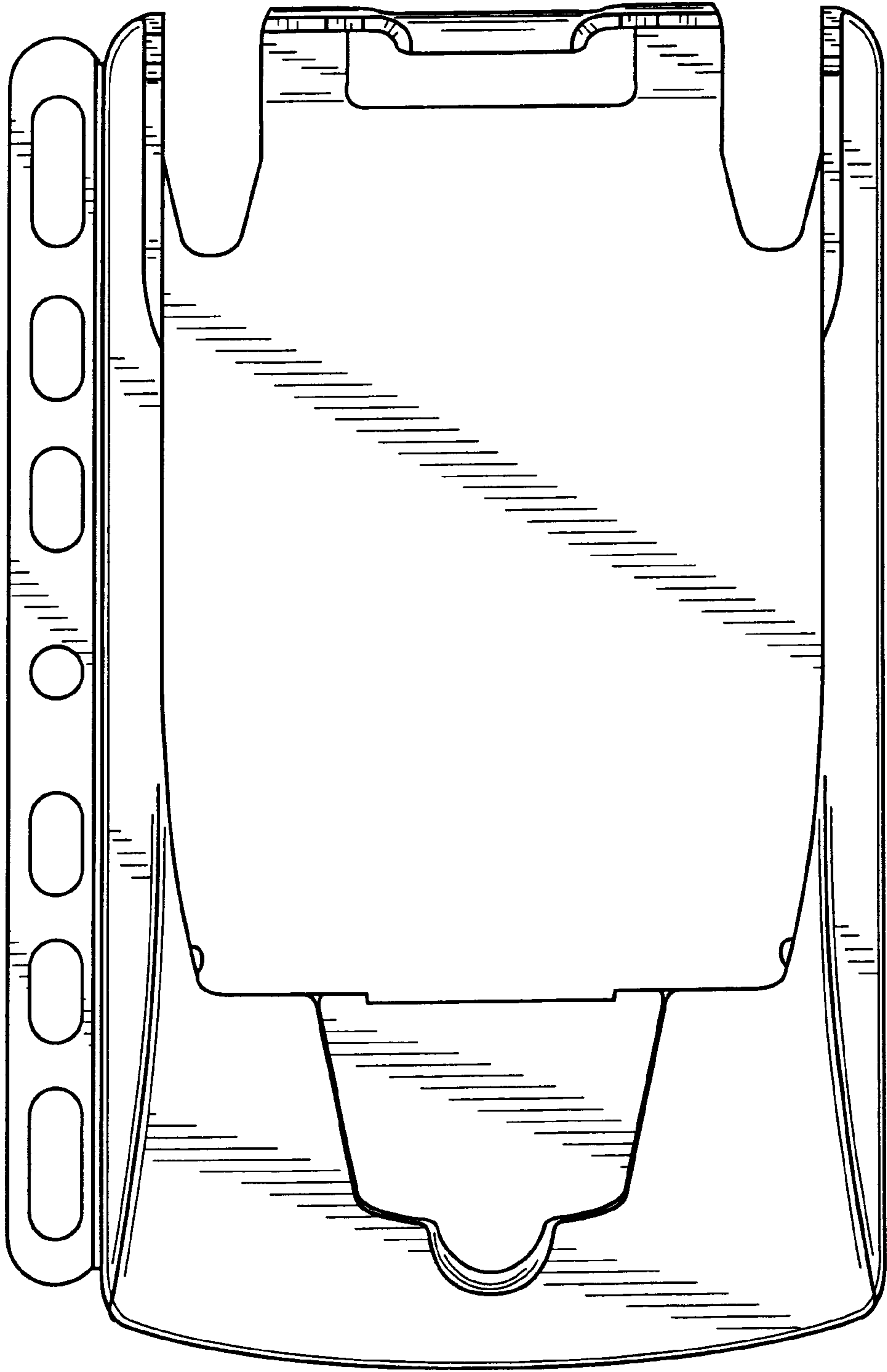


Fig. 3

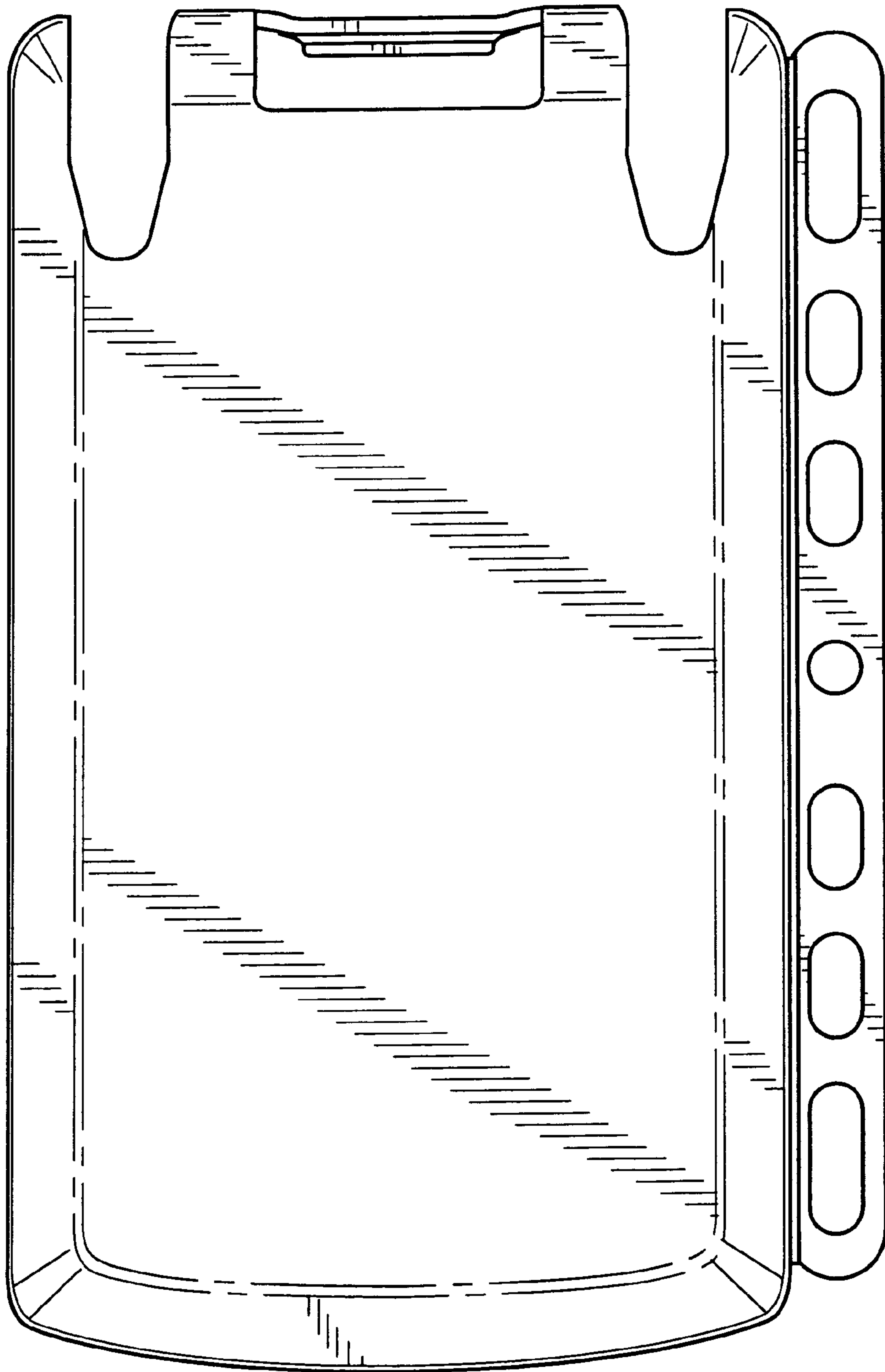


Fig. 4

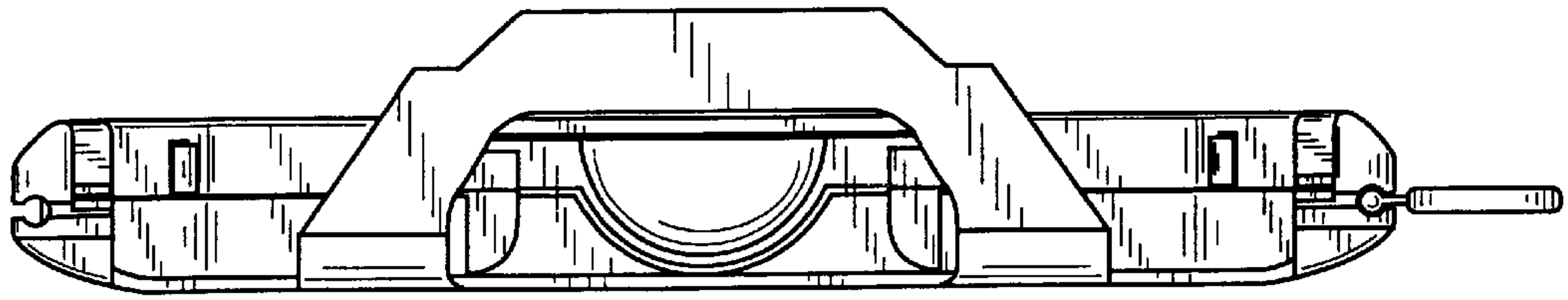


Fig. 5

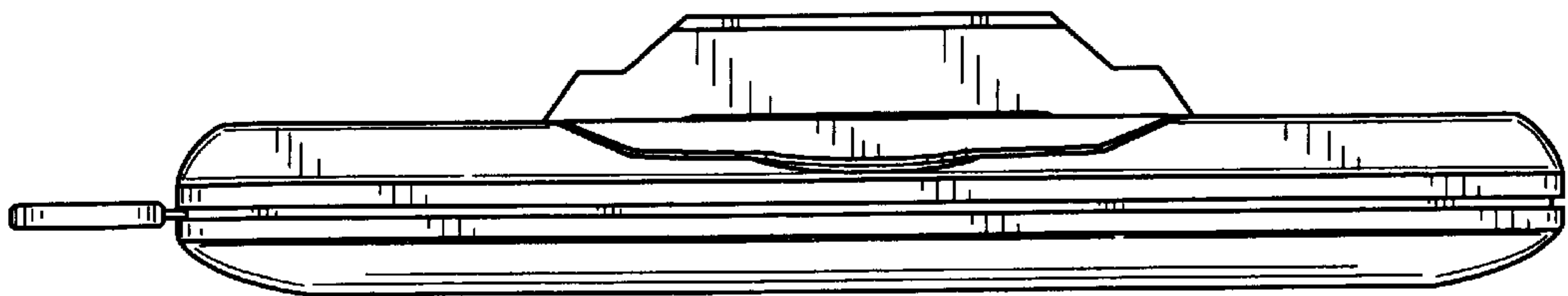


Fig. 6

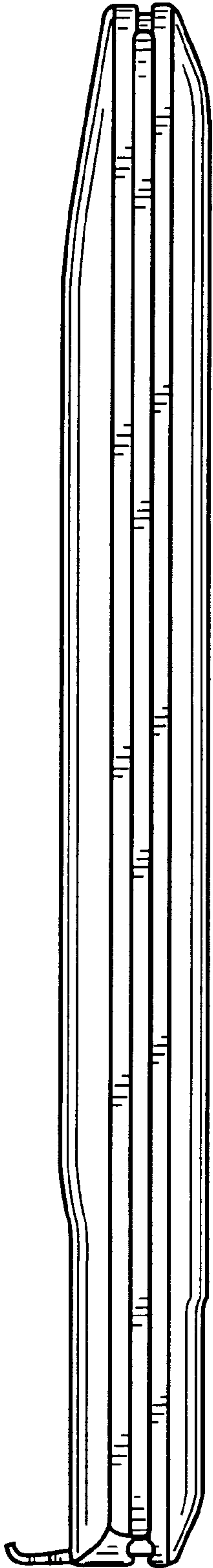


Fig. 7

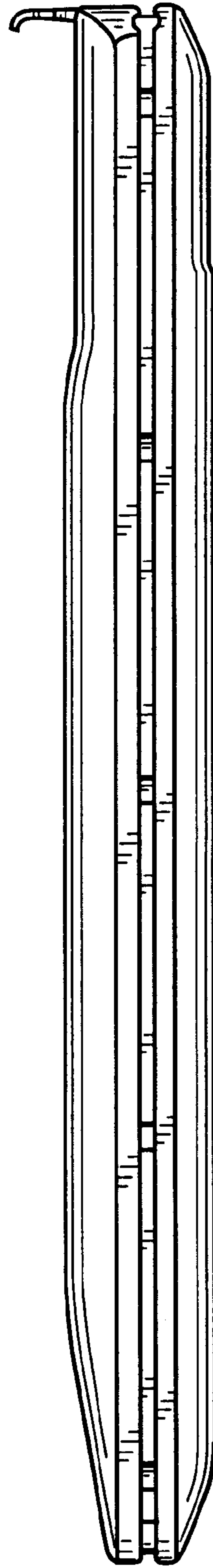


Fig. 8

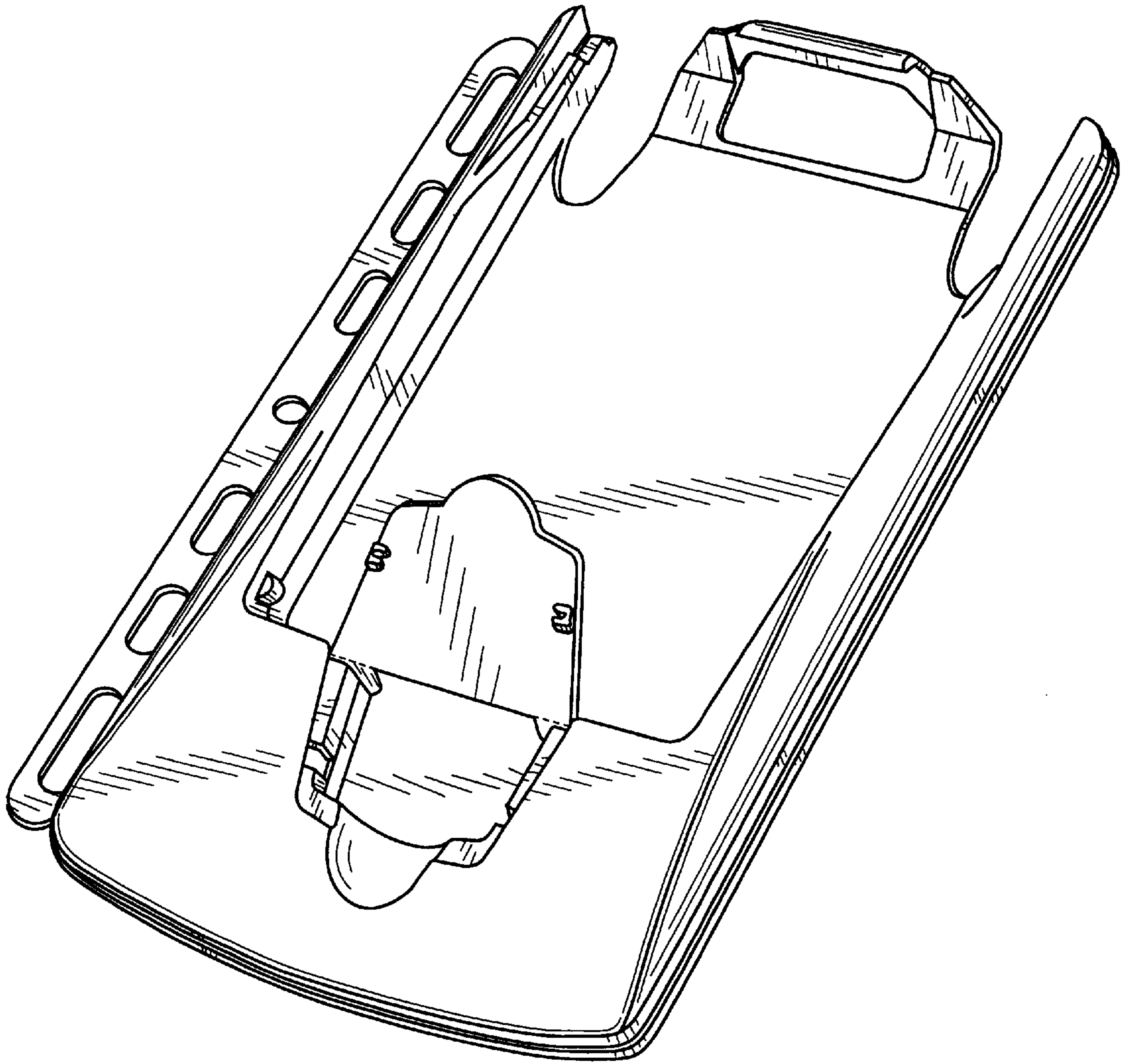


Fig. 9